



US00D690394S

(12) **United States Design Patent**  
**Flowers et al.**

(10) **Patent No.:** **US D690,394 S**

(45) **Date of Patent:** **\*\* Sep. 24, 2013**

(54) **FAUCET**

(71) Applicant: **Grohe AG**, Hemer (DE)

(72) Inventors: **Paul Flowers**, Duesseldorf (DE);  
**Antoine Besseyre Des Horts**,  
Duesseldorf (DE)

(73) Assignee: **Grohe AG**, Hemer (DE)

(\*\*) Term: **14 Years**

(21) Appl. No.: **29/432,942**

(22) Filed: **Sep. 24, 2012**

(30) **Foreign Application Priority Data**

Mar. 22, 2012 (EM) ..... 002013425-0007

(51) **LOC (9) Cl.** ..... **23-01**

(52) **U.S. Cl.**  
USPC ..... **D23/242**

(58) **Field of Classification Search**  
USPC ..... D23/238-242, 255, 257; 4/675-678;  
137/801

See application file for complete search history.

(56) **References Cited**

**U.S. PATENT DOCUMENTS**

D513,636 S \* 1/2006 Blomstrom ..... D23/241  
D519,190 S \* 4/2006 Lord ..... D23/238  
D520,116 S \* 5/2006 Koury et al. .... D23/241

D532,484 S \* 11/2006 Blomstrom ..... D23/241  
D534,622 S \* 1/2007 Chu et al. .... D23/238  
D567,912 S \* 4/2008 Juratovac et al. .... D23/255  
D577,422 S \* 9/2008 Williams ..... D23/241  
D580,022 S \* 11/2008 Gilbert ..... D23/255  
D581,498 S \* 11/2008 Dolan ..... D23/255  
D604,808 S \* 11/2009 Williams ..... D23/255  
D645,123 S \* 9/2011 Corbett ..... D23/255

\* cited by examiner

*Primary Examiner* — Robert Delehanty

(74) *Attorney, Agent, or Firm* — Muncy, Geissler, Olds & Lowe, PLLC

(57) **CLAIM**

The ornamental design for a faucet, as shown and described.

**DESCRIPTION**

FIG. 1 is a left side elevational view of a faucet according to the present invention.

FIG. 2 is a right side elevational view of the faucet of FIG. 1;

FIG. 3 is a front elevational view of the faucet of FIG. 1;

FIG. 4 is a rear elevational view of the faucet of FIG. 1;

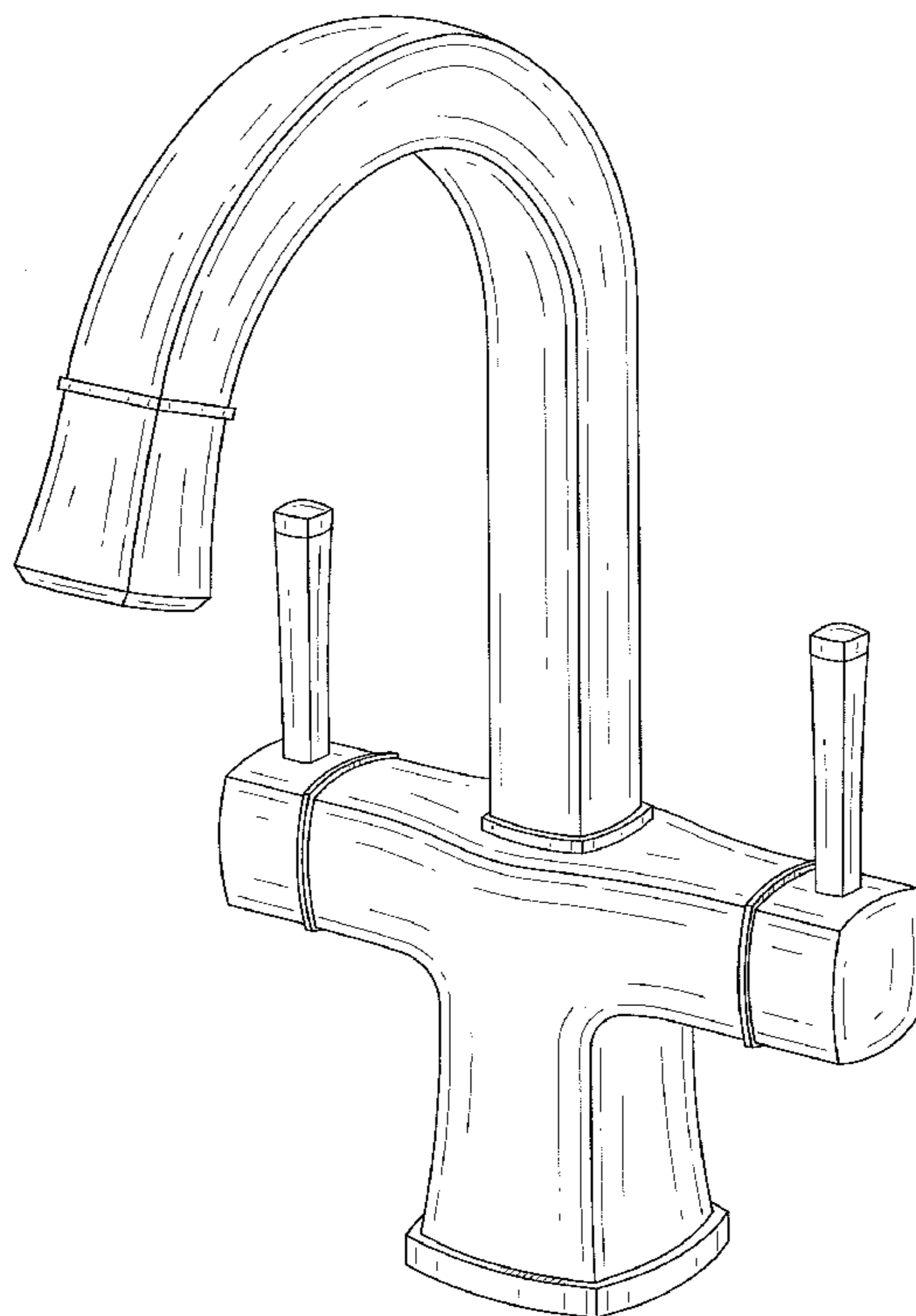
FIG. 5 is a top plan view of the faucet of FIG. 1;

FIG. 6 is a bottom plan view of the faucet of FIG. 1; and,

FIG. 7 is a perspective view of the faucet of FIG. 1.

The dashed lines illustrate environment that does not form a part of the present invention, and no claim is made to the material illustrated with dashed lines.

**1 Claim, 7 Drawing Sheets**



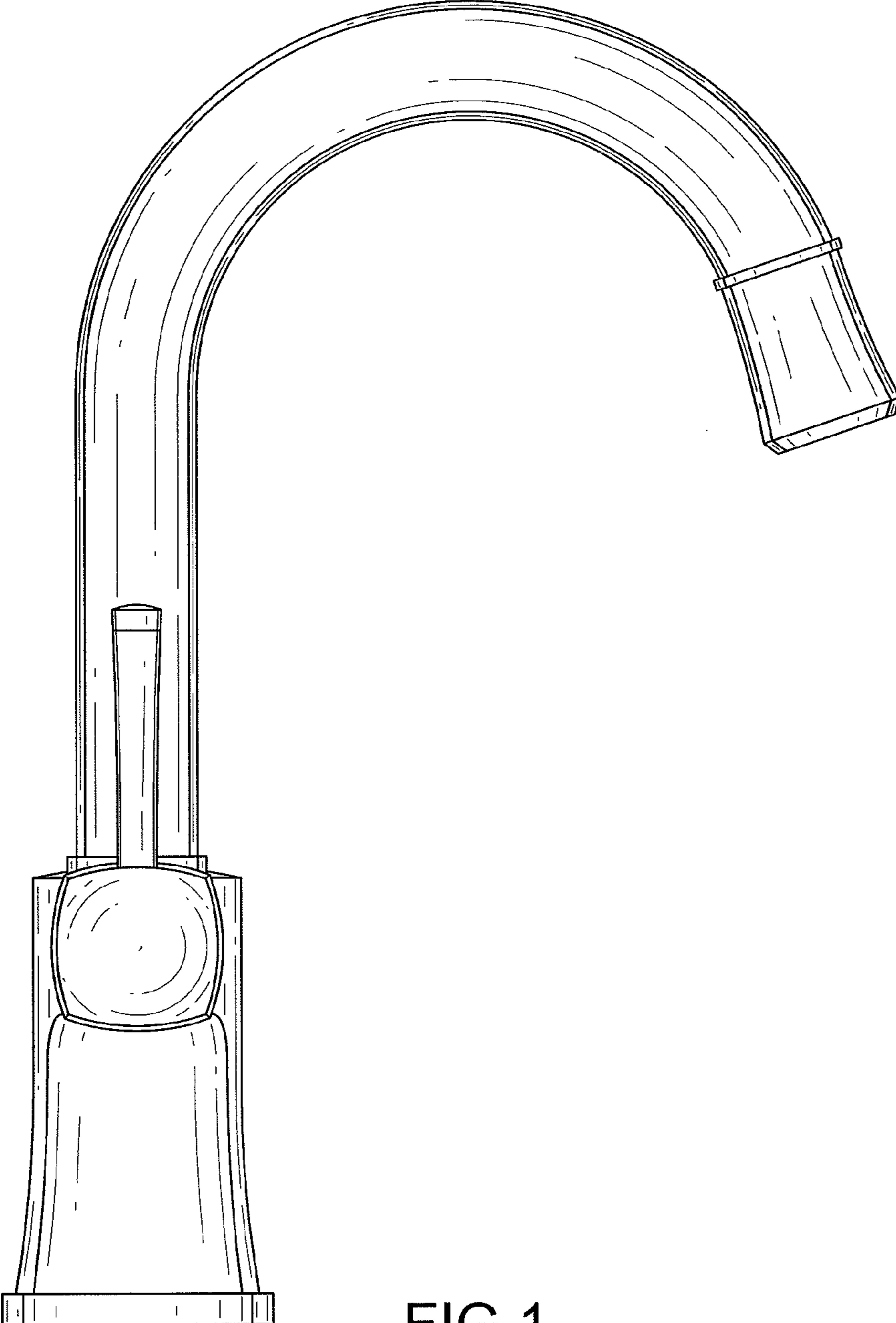


FIG.1

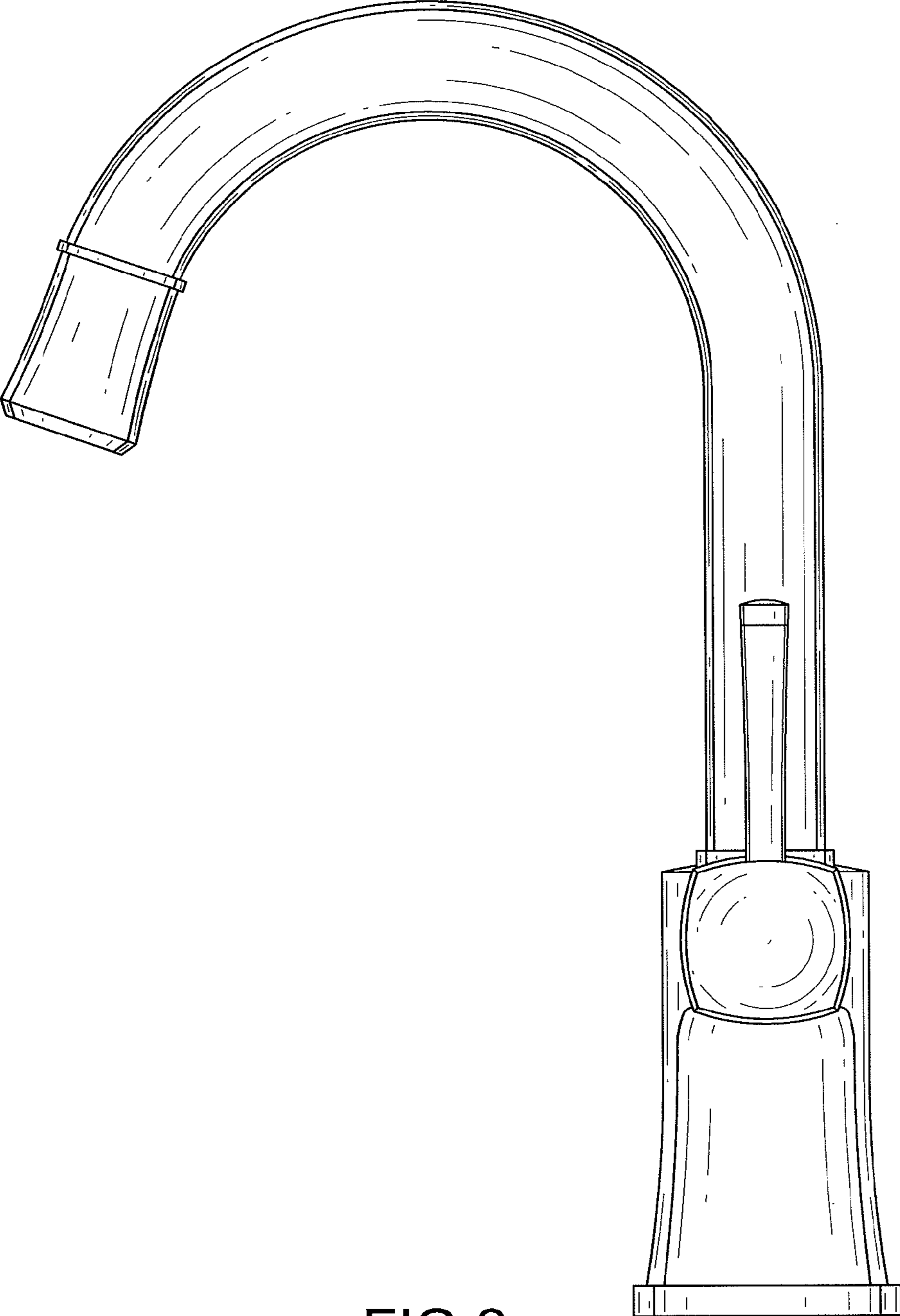


FIG.2

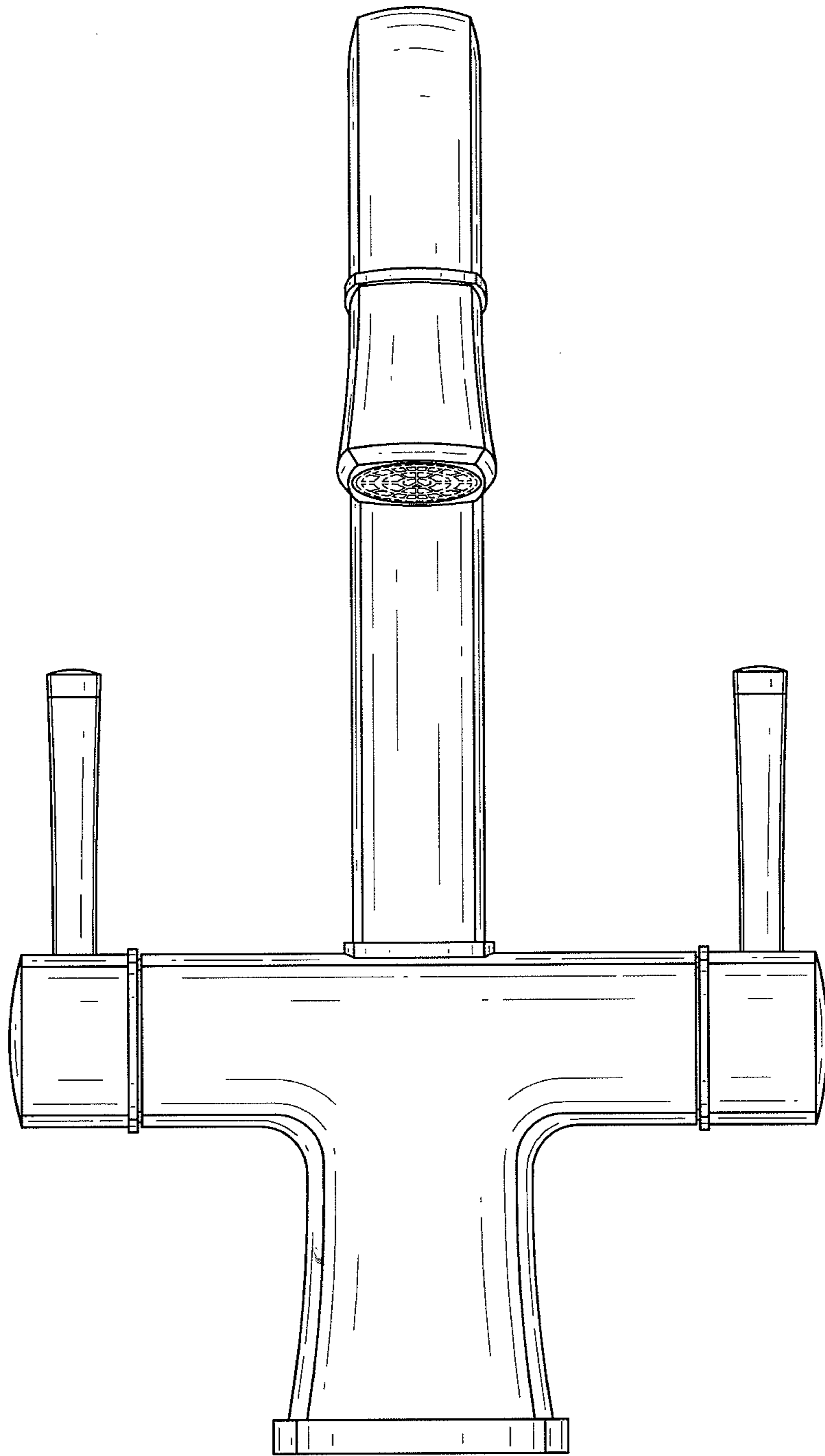


FIG.3

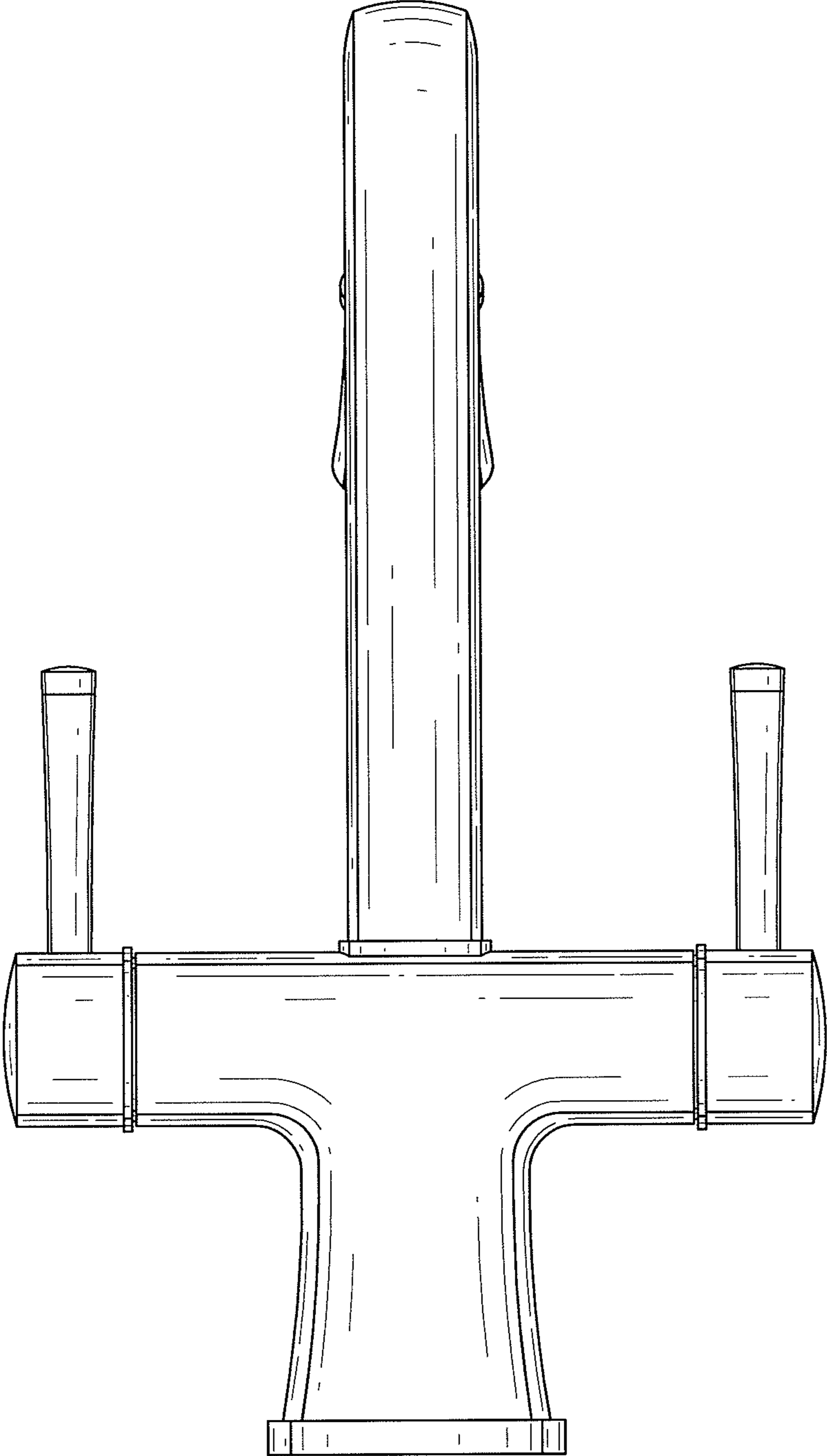


FIG.4

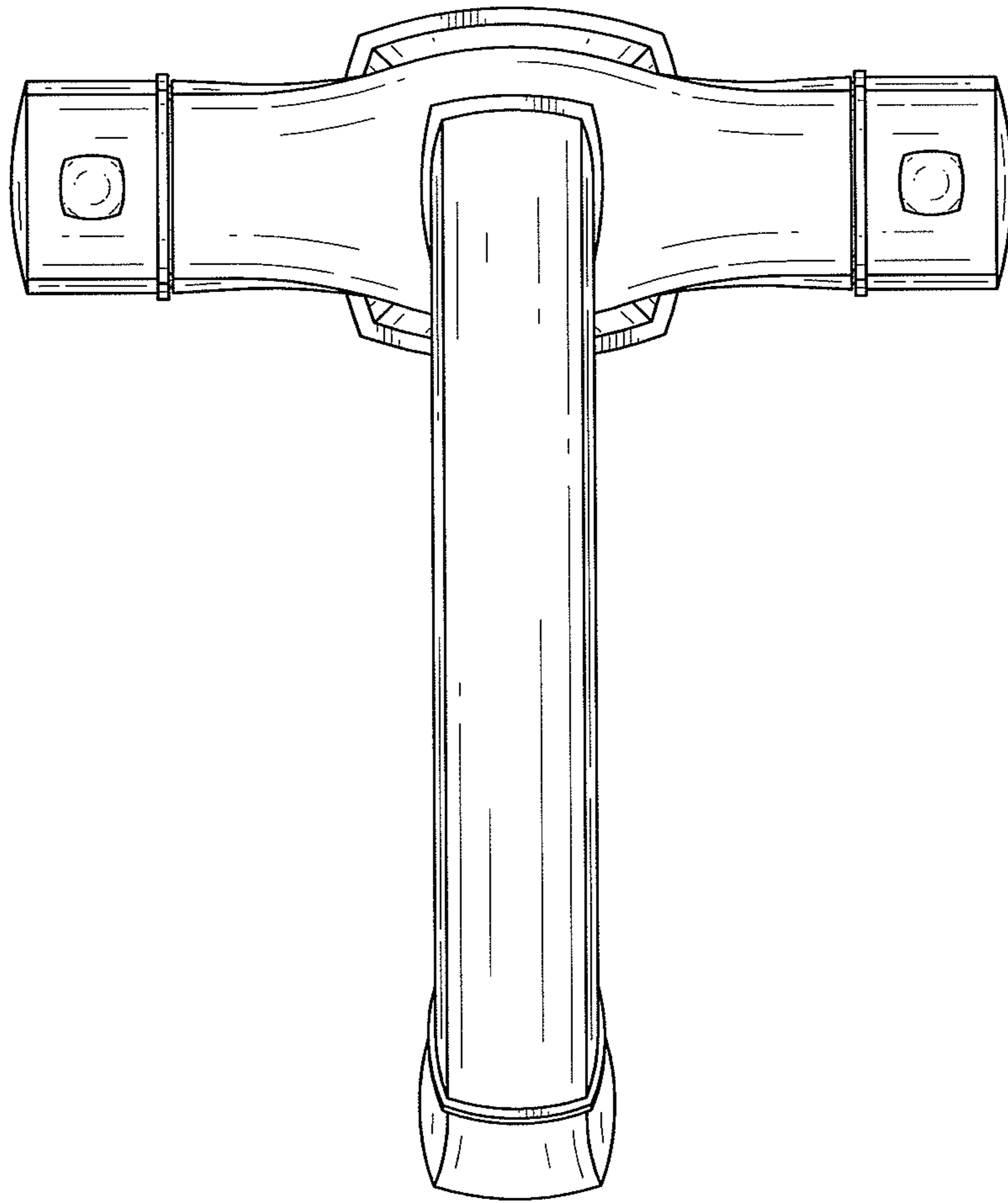


FIG.5

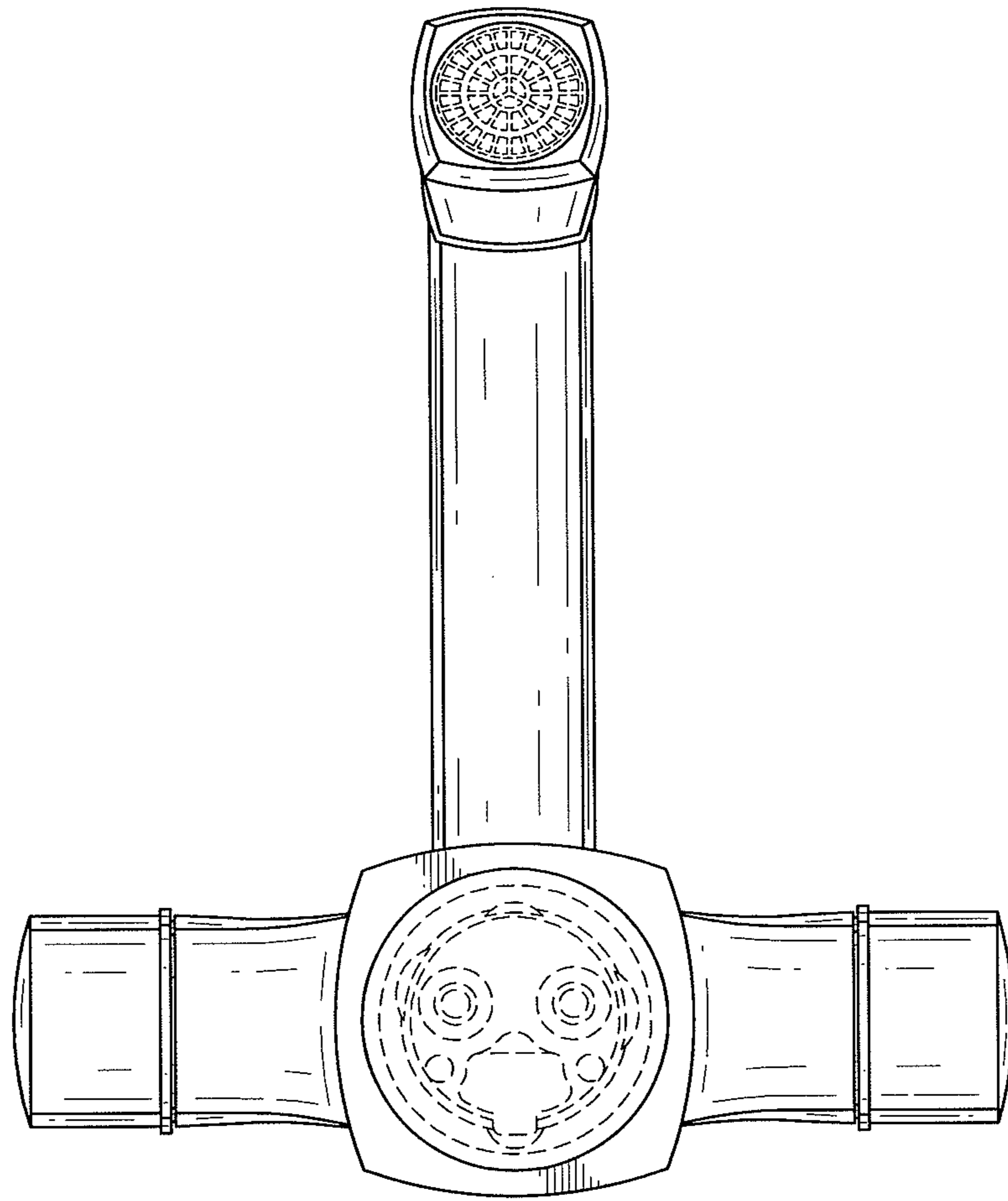


FIG.6

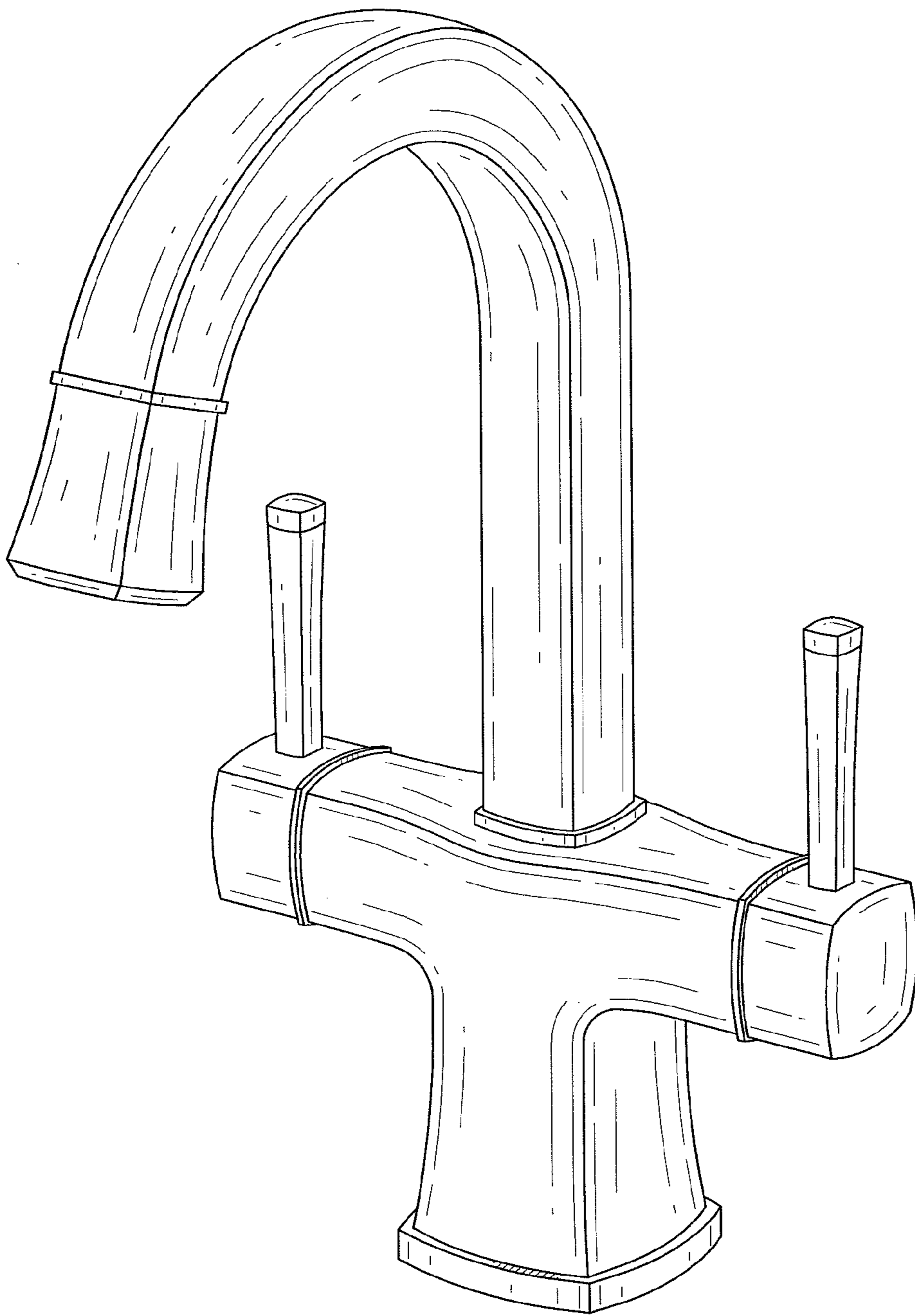


FIG. 7