



US00D690392S

(12) **United States Design Patent**
Miyazoe et al.

(10) **Patent No.:** **US D690,392 S**
(45) **Date of Patent:** **** Sep. 24, 2013**

(54) **MANIFOLD BASE FOR ELECTROMAGNETIC VALVE**
(75) Inventors: **Shinji Miyazoe**, Tsukubamirai (JP); **Kazuhiro Noguchi**, Tsukubamirai (JP)
(73) Assignee: **SMC Corporation**, Chiyoda-ku, Tokyo (JP)

(**) Term: **14 Years**

(21) Appl. No.: **29/404,474**

(22) Filed: **Oct. 21, 2011**

(30) **Foreign Application Priority Data**

Jul. 20, 2011 (JP) 2011-016560

(51) **LOC (9) Cl.** **23-01**

(52) **U.S. Cl.**
USPC **D23/233**

(58) **Field of Classification Search**
USPC D23/233-237, 244-249; D15/5, D15/143, 1, 199; 251/129.01, 129.15, 596.13, 251/596.16, 15, 130, 219, 331, 129.04; 137/554, 557, 560, 861, 882, 884, 269, 270, 137/271, 343, 625.64
See application file for complete search history.

(56) **References Cited**

U.S. PATENT DOCUMENTS

D521,597 S * 5/2006 Nimberger D23/233
D545,945 S * 7/2007 Miyazoe D23/233
D606,629 S * 12/2009 Tokumoto D23/233

D616,695 S * 6/2010 Grey et al. D7/340
D616,964 S * 6/2010 Miyazoe et al. D23/233
D621,911 S * 8/2010 Miyazoe et al. D23/233
D639,825 S * 6/2011 Murakami et al. D15/5
D656,224 S * 3/2012 Roys D23/233
D667,532 S * 9/2012 Asaba D23/233
D670,790 S * 11/2012 Tokumoto D23/233
D681,164 S * 4/2013 Asaba D23/233
D681,782 S * 5/2013 Bohm et al. D23/233

* cited by examiner

Primary Examiner — Cynthia Ramirez

(74) *Attorney, Agent, or Firm* — Yokoi & Co., U.S.A., Inc.; Toshiyuki Yokoi

(57) **CLAIM**

The ornamental design for a manifold base for electromagnetic valve, as shown and described.

DESCRIPTION

FIG. 1 shows a front view of a manifold base for electromagnetic valve showing my new design;
FIG. 2 shows a rear view thereof;
FIG. 3 shows a right side view thereof;
FIG. 4 shows a left side view thereof;
FIG. 5 shows a top view thereof;
FIG. 6 shows a bottom view thereof; and
FIG. 7 shows a top, front and left side perspective view thereof; and,
FIG. 8 shows a bottom, rear and right side perspective view thereof.
The portions of the design shown in broken lines in FIGS. 3-8 are for the purpose of illustrating the environment only and form no part of the claimed design.

1 Claim, 6 Drawing Sheets

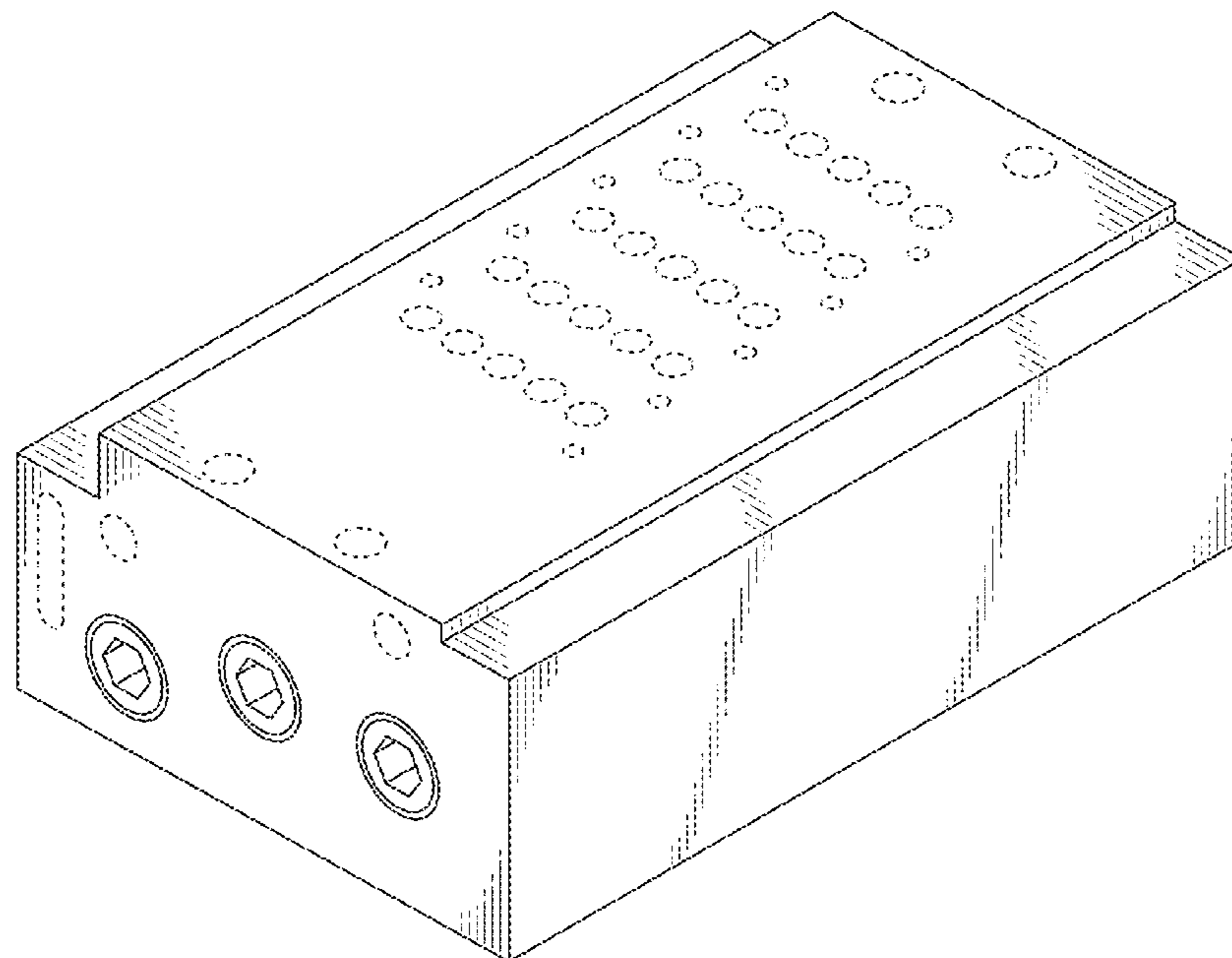


FIG. 1

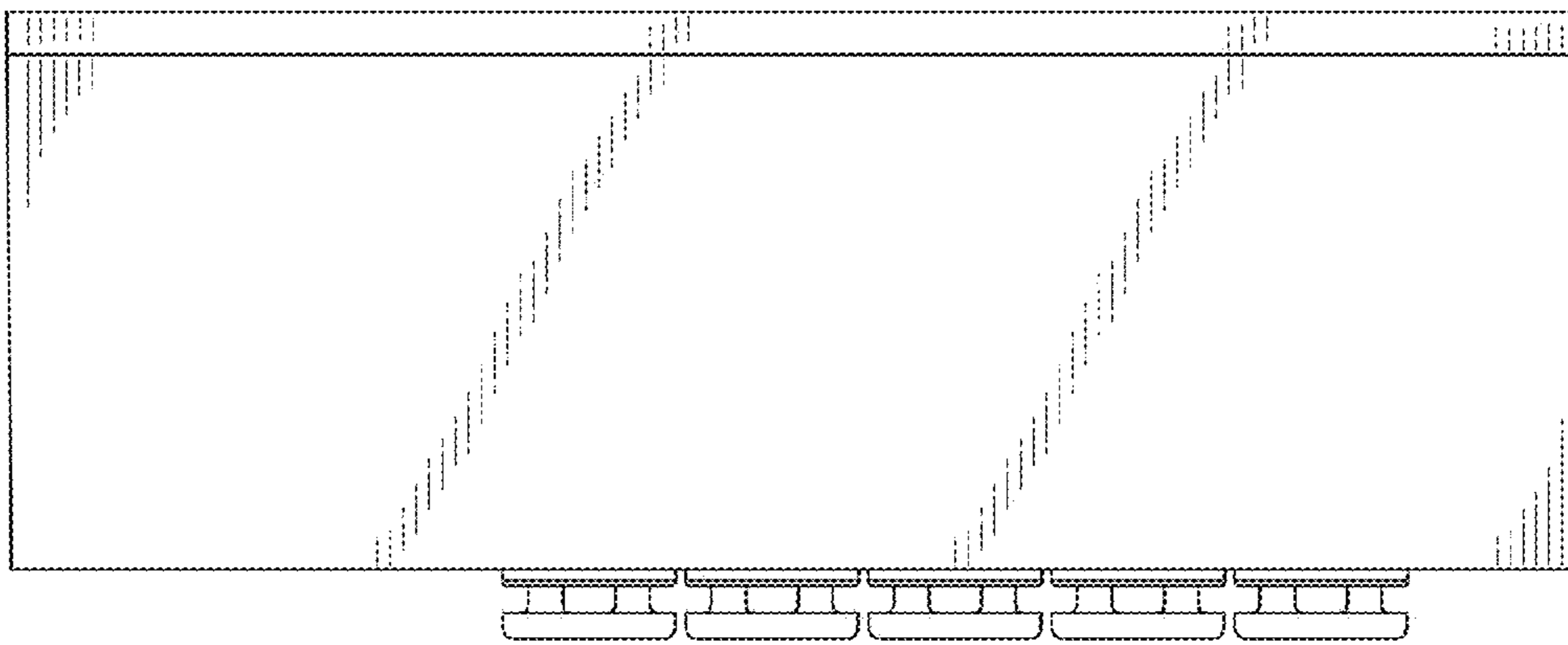


FIG. 2

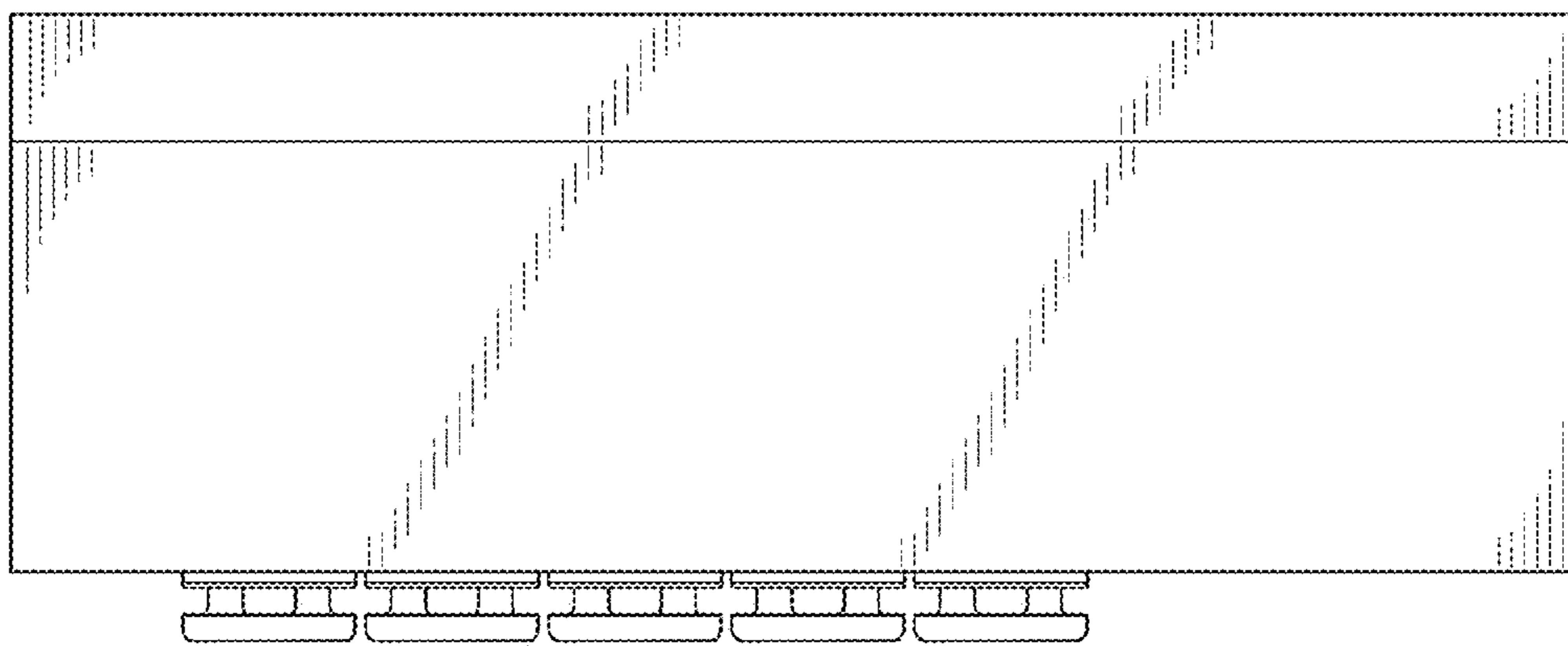


FIG. 3

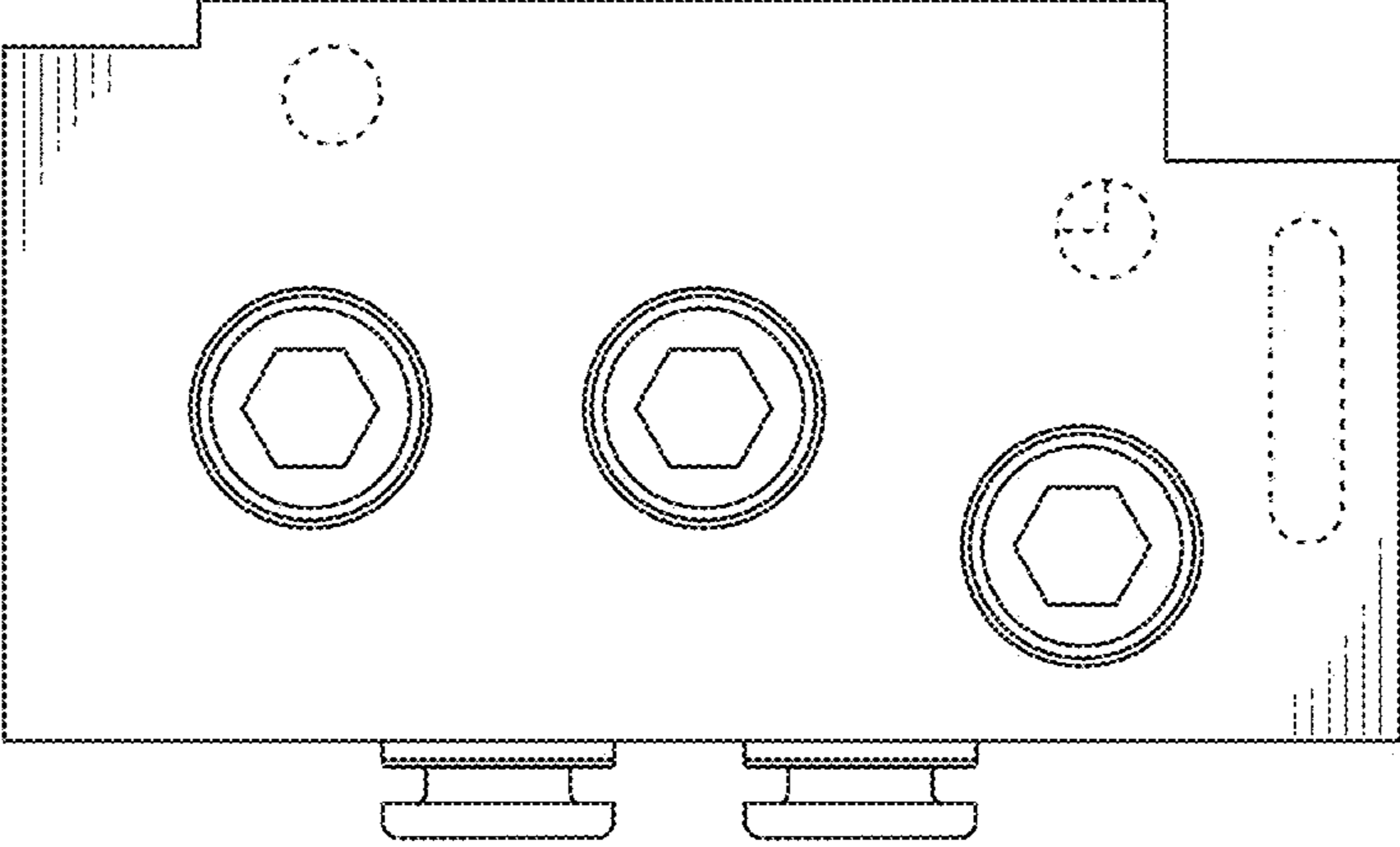


FIG. 4

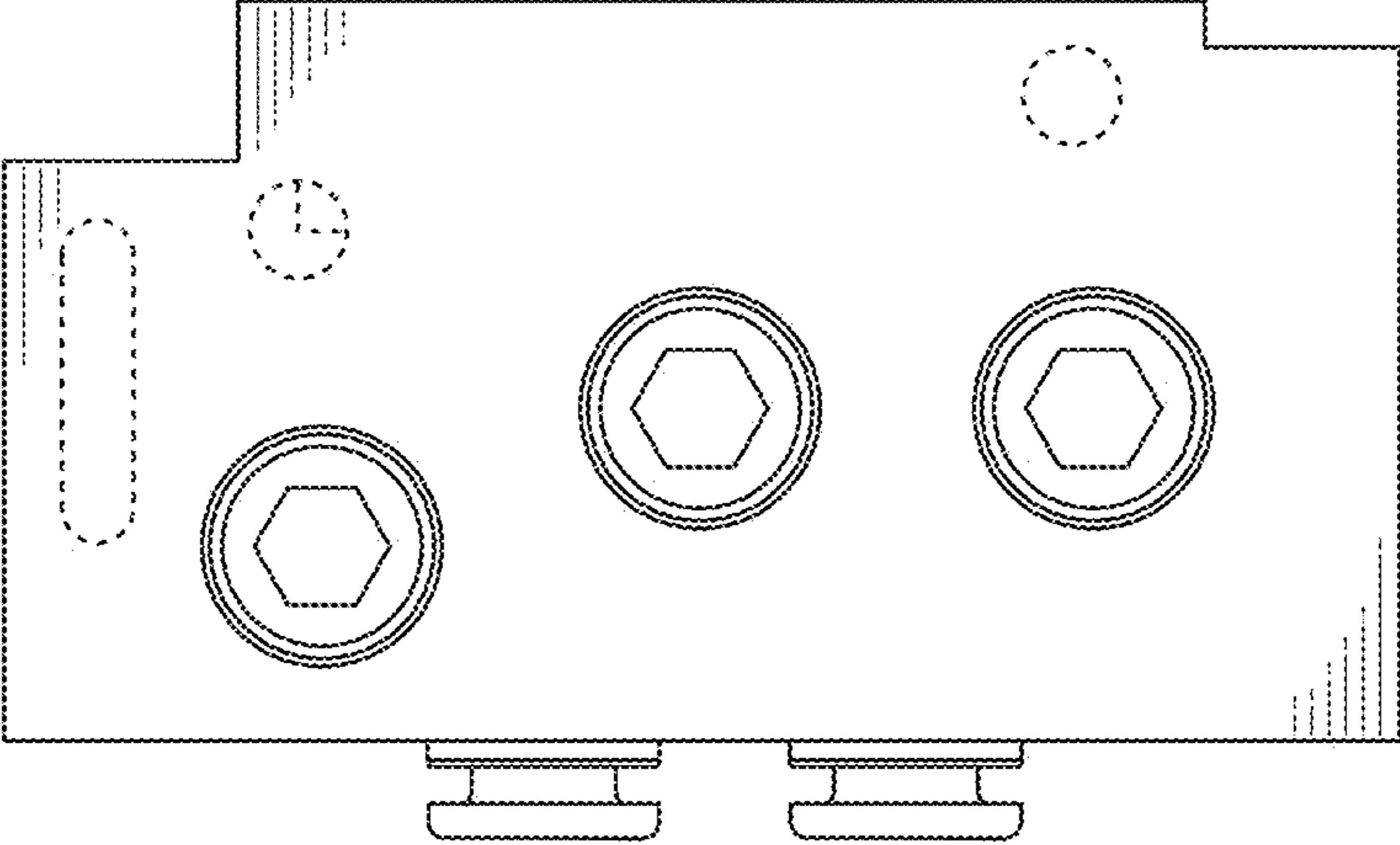


FIG. 5

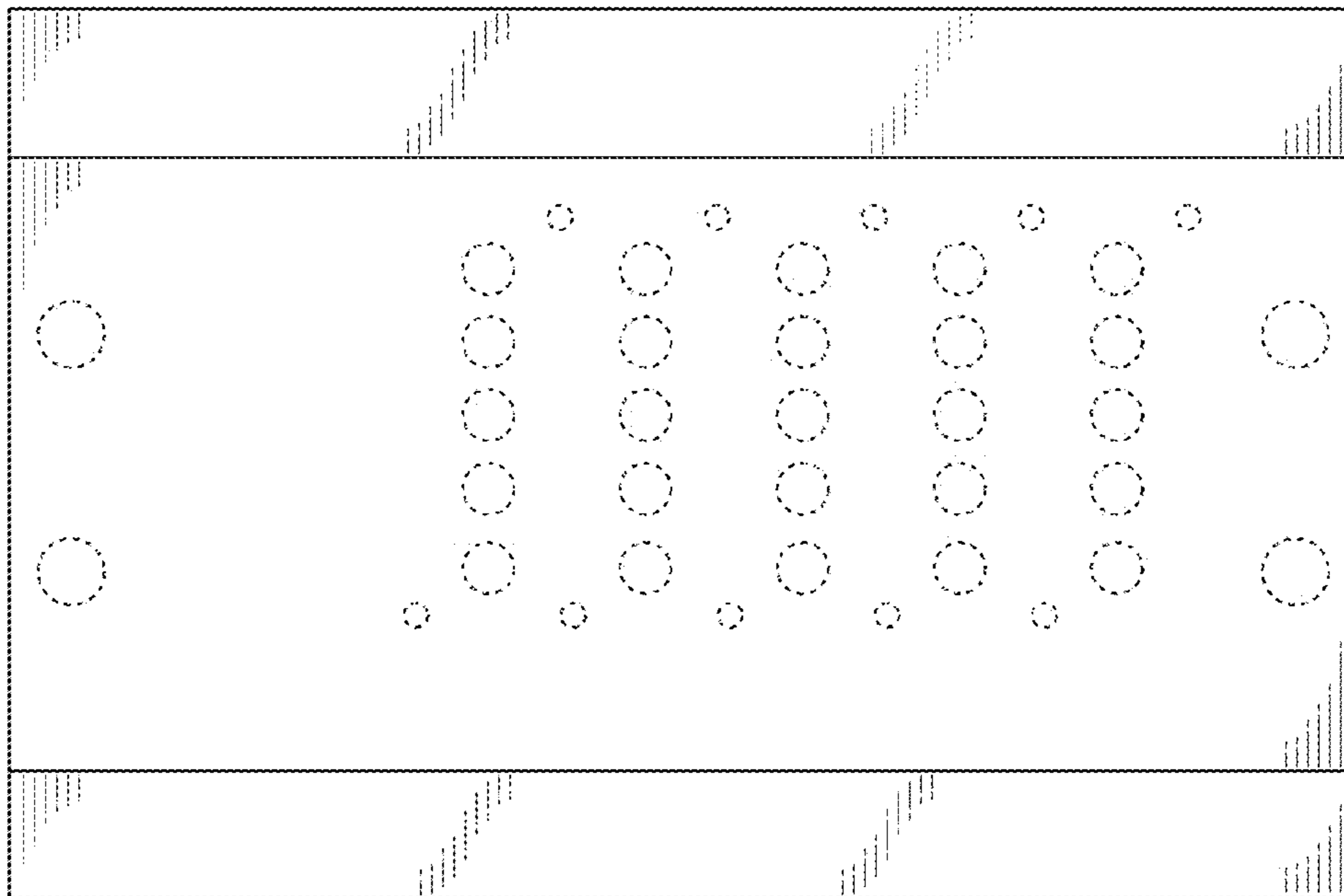


FIG. 6

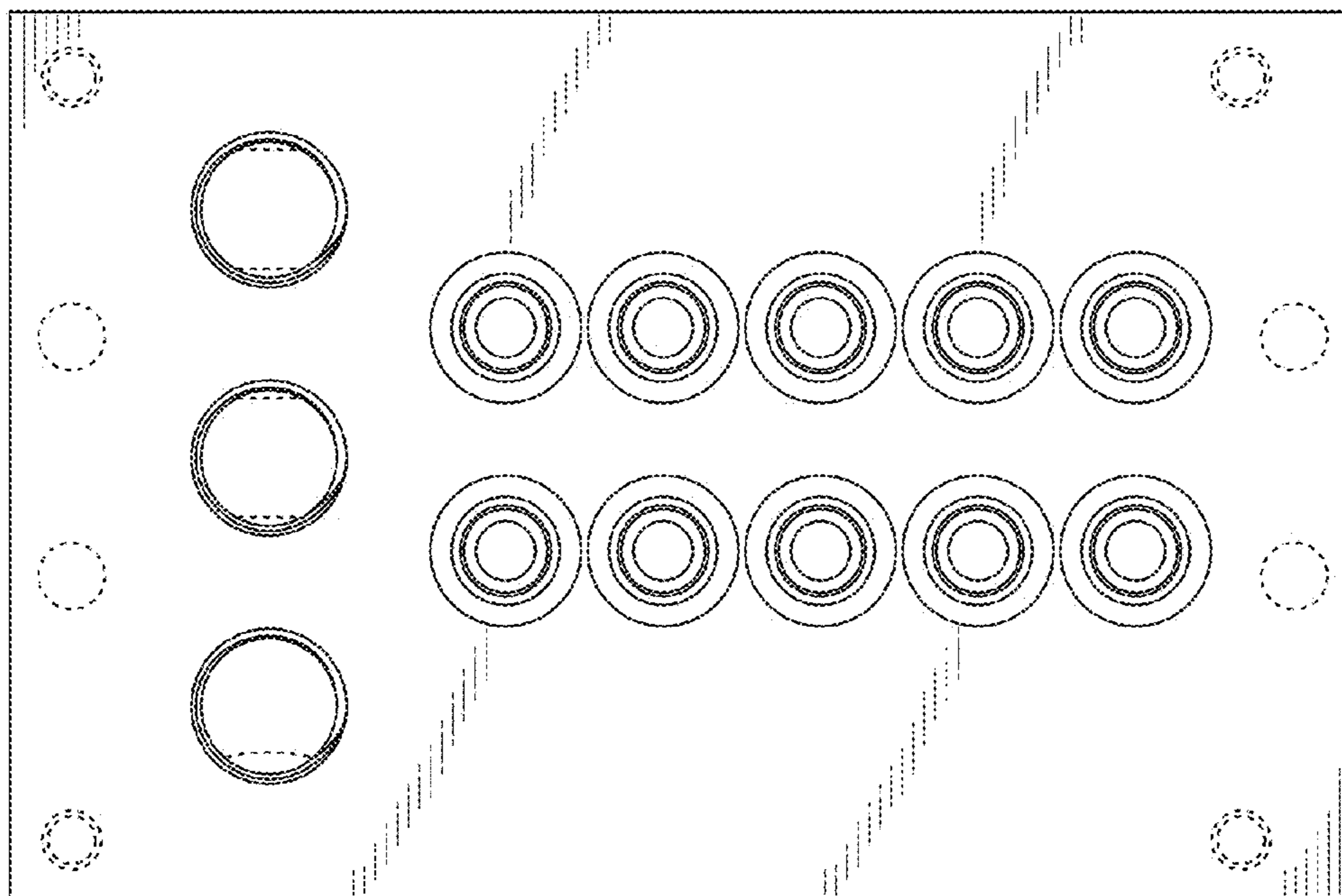


FIG. 7

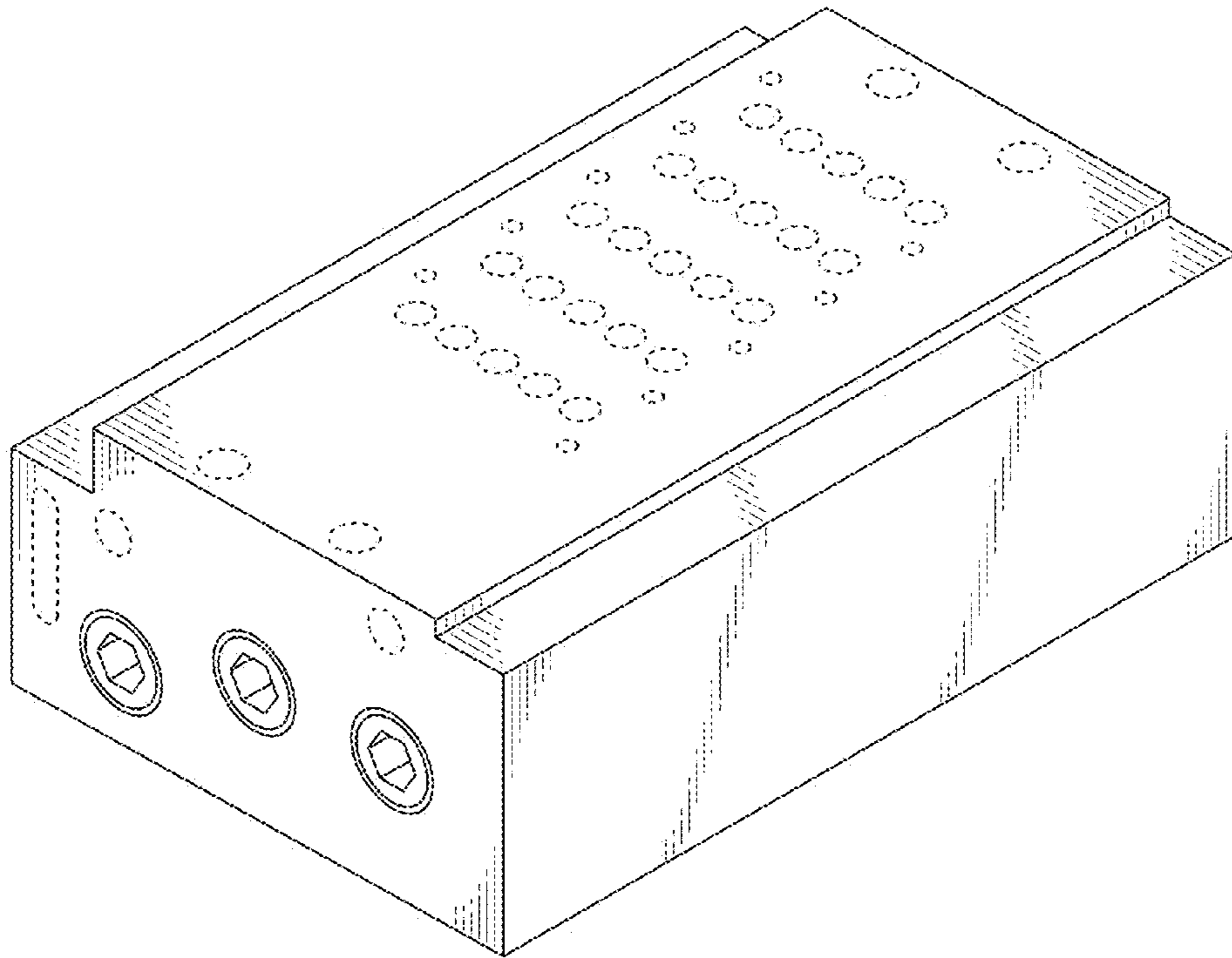


FIG. 8

