



US00D690390S

(12) **United States Design Patent**
Garm et al.

(10) **Patent No.:** **US D690,390 S**

(45) **Date of Patent:** **** Sep. 24, 2013**

(54) **THERMOSTATIC VALVE**

(75) Inventors: **Fester Garm**, Silkeborg (DK); **Soren Holm Sorensen**, Galten (DK)

(73) Assignee: **Danfoss A/S**, Nordborg (DK)

(**) Term: **14 Years**

(21) Appl. No.: **29/402,132**

(22) Filed: **Sep. 21, 2011**

(51) **LOC (9) Cl.** **23-01**

(52) **U.S. Cl.**
USPC **D23/233**

(58) **Field of Classification Search**
USPC D23/233–237, 244–249; 251/205,
251/208, 215, 309, 310, 312, 62, 63, 63.5,
251/129.01, 129.1, 6–129.18, 904; 137/398,
137/545, 547, 549

See application file for complete search history.

(56) **References Cited**

U.S. PATENT DOCUMENTS

D236,266 S *	8/1975	Holben	D23/235
D395,485 S *	6/1998	Deaso, Sr.	D23/245
D600,779 S *	9/2009	Shishido	D23/233
D635,644 S *	4/2011	Yamada	D23/233
D639,392 S *	6/2011	Yamada	D23/233
D646,753 S *	10/2011	Juul et al.	D23/233
D647,598 S *	10/2011	Matusche	D23/233
D652,116 S *	1/2012	Fukushima	D23/235

D667,082 S *	9/2012	Fukushima	D23/235
D667,930 S *	9/2012	Yamada	D23/235
D677,363 S *	3/2013	Norlander et al.	D23/233
D678,981 S *	3/2013	Shengyong	D23/233
2011/0146811 A1 *	6/2011	Miller	137/409

* cited by examiner

Primary Examiner — Cynthia Ramirez

(74) *Attorney, Agent, or Firm* — McCormick, Paulding & Huber LLP

(57) **CLAIM**

The ornamental design for a thermostatic valve, as shown and described.

DESCRIPTION

FIG. 1 is a front, top, left-hand side perspective view of a thermostatic valve comprising a new, original and ornamental design;

FIG. 2 is a rear view of a thermostatic valve comprising the new, original and ornamental design;

FIG. 3 is a bottom view of a thermostatic valve comprising the new, original and ornamental design;

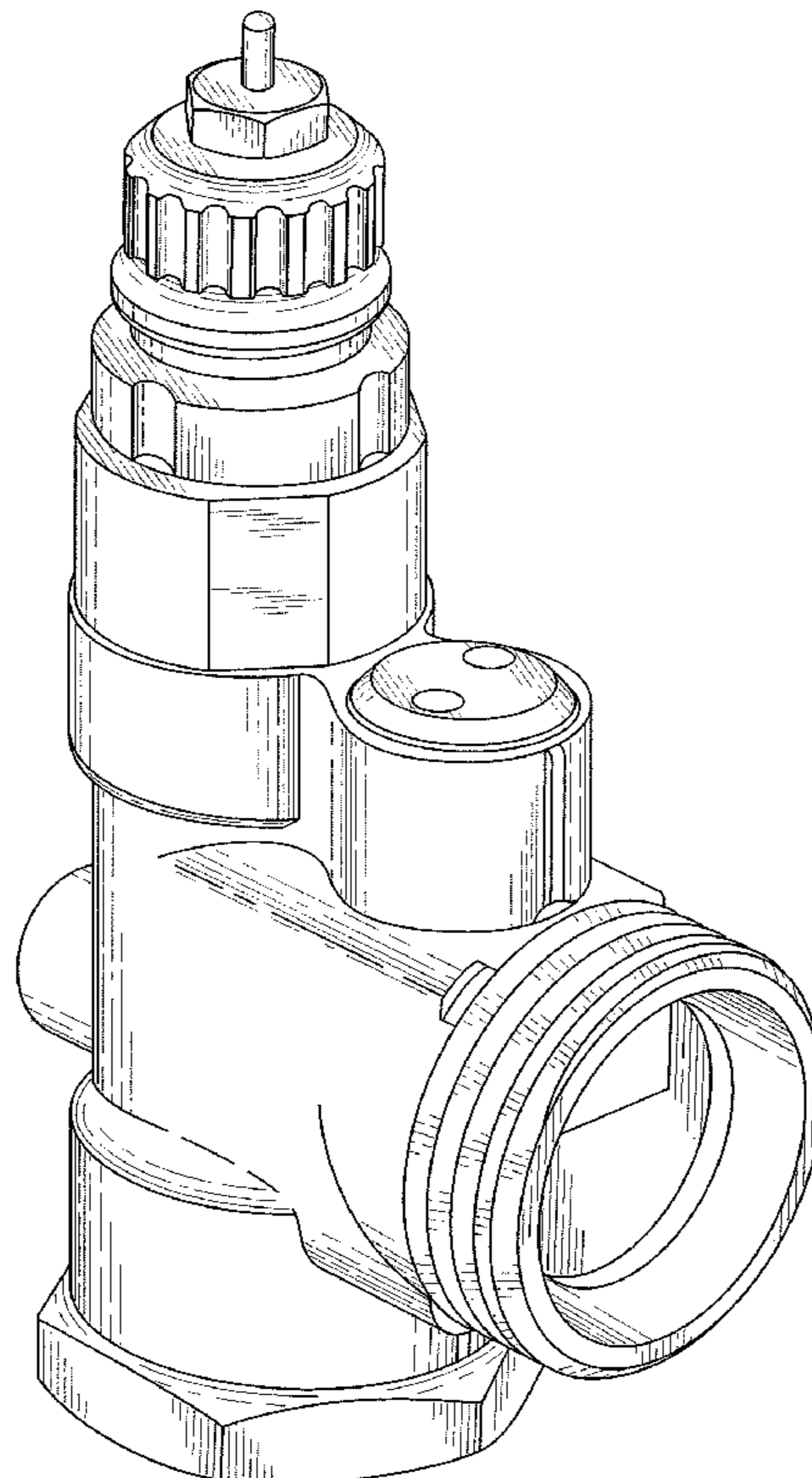
FIG. 4 is a front view of a thermostatic valve comprising the new, original and ornamental design;

FIG. 5 is a left-hand side view of a thermostatic valve comprising the new, original and ornamental design;

FIG. 6 is a right-hand side view of a thermostatic valve comprising the new, original and ornamental design; and,

FIG. 7 is a top view of a thermostatic valve comprising the new, original and ornamental design.

1 Claim, 6 Drawing Sheets



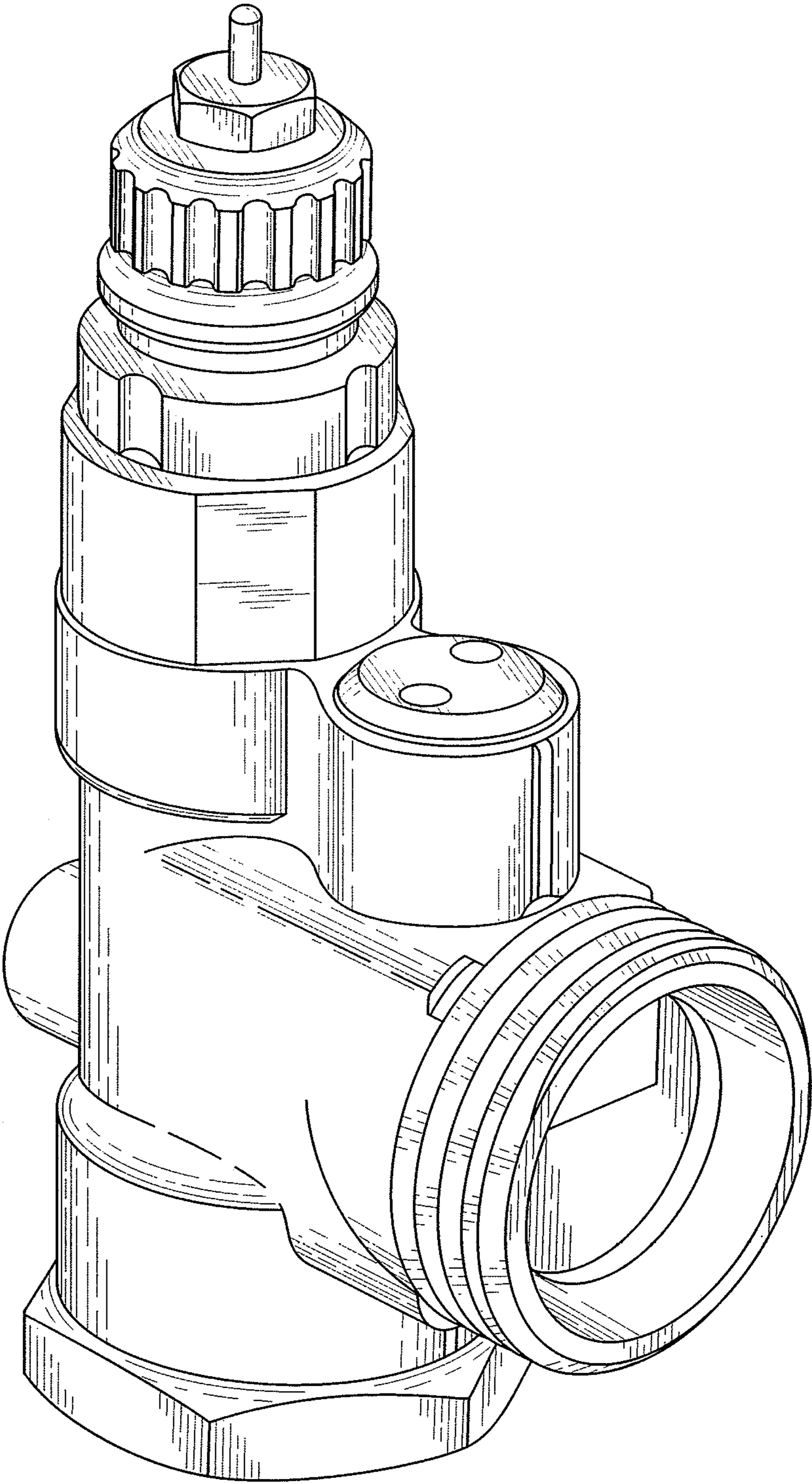


FIG. 1

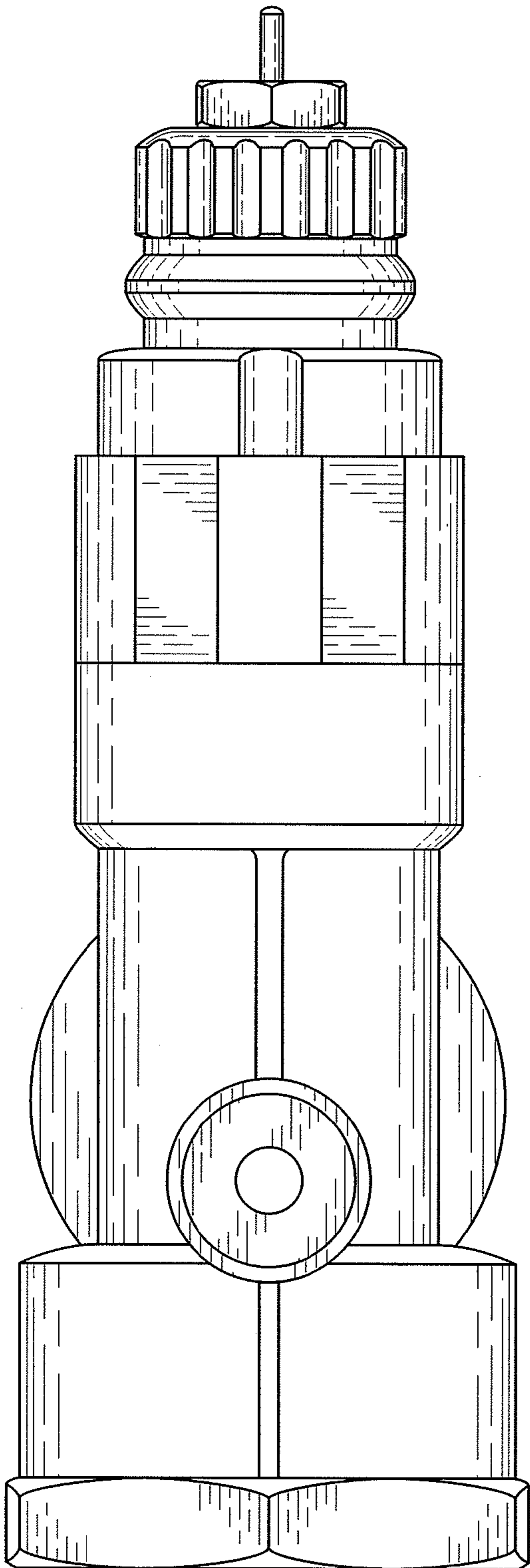


FIG. 2

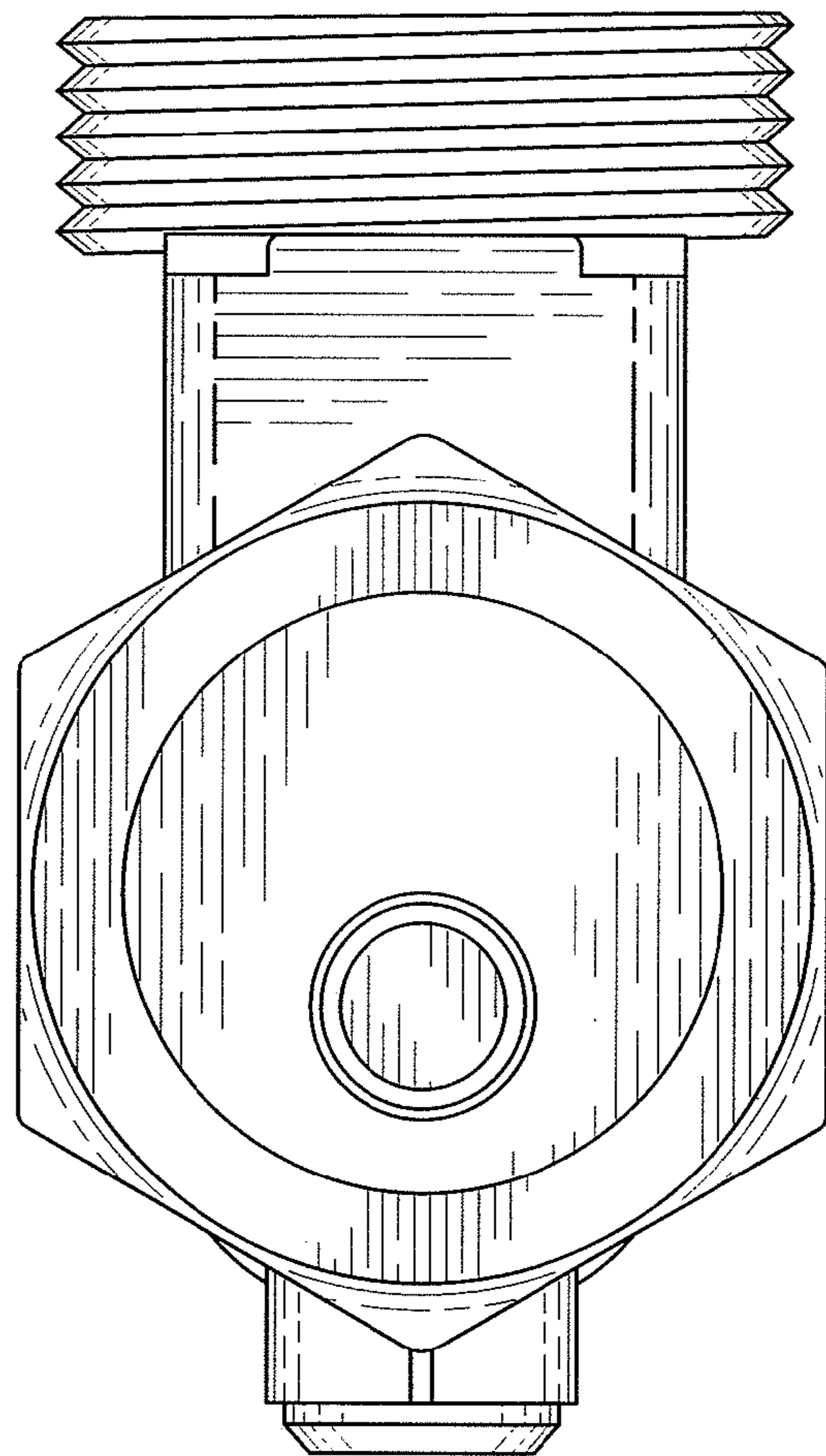


FIG. 3

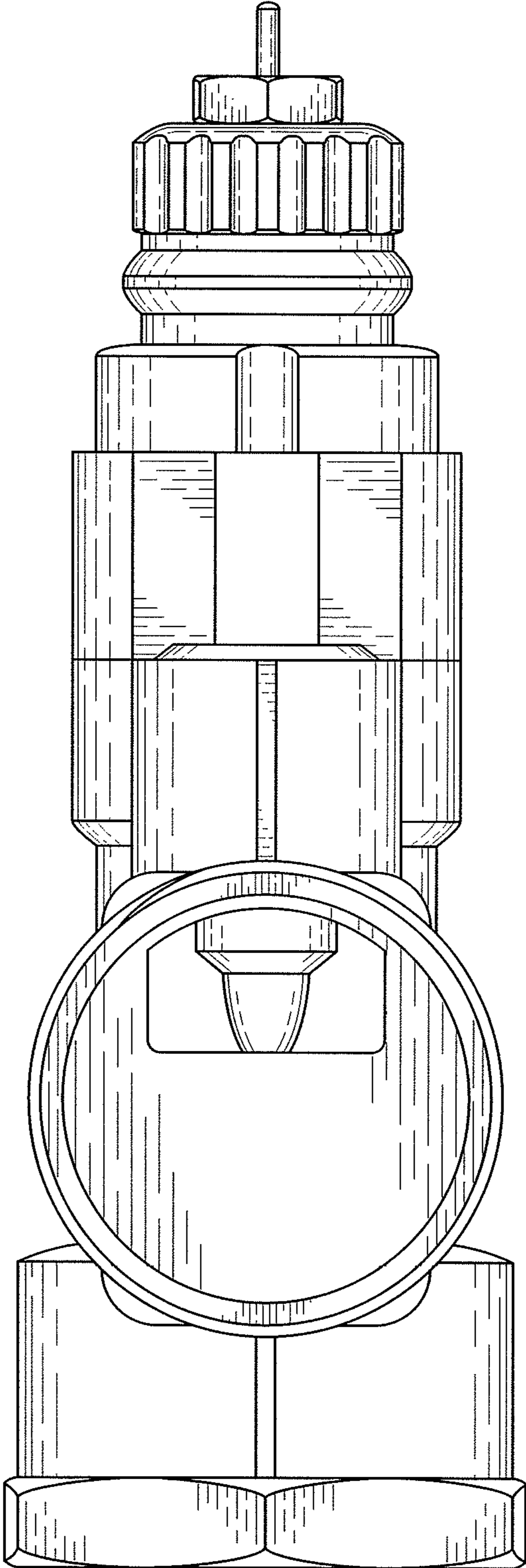


FIG. 4

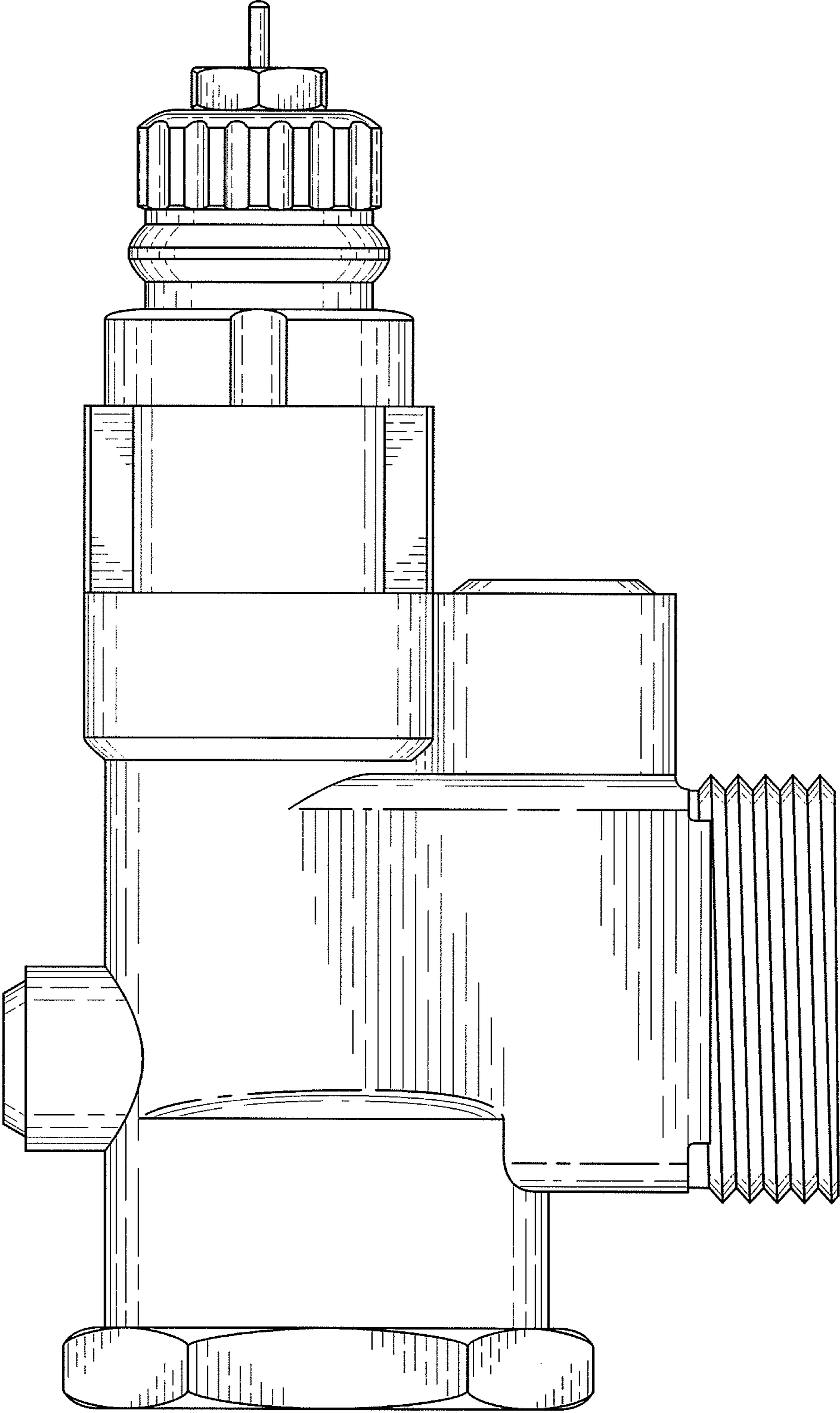


FIG. 5

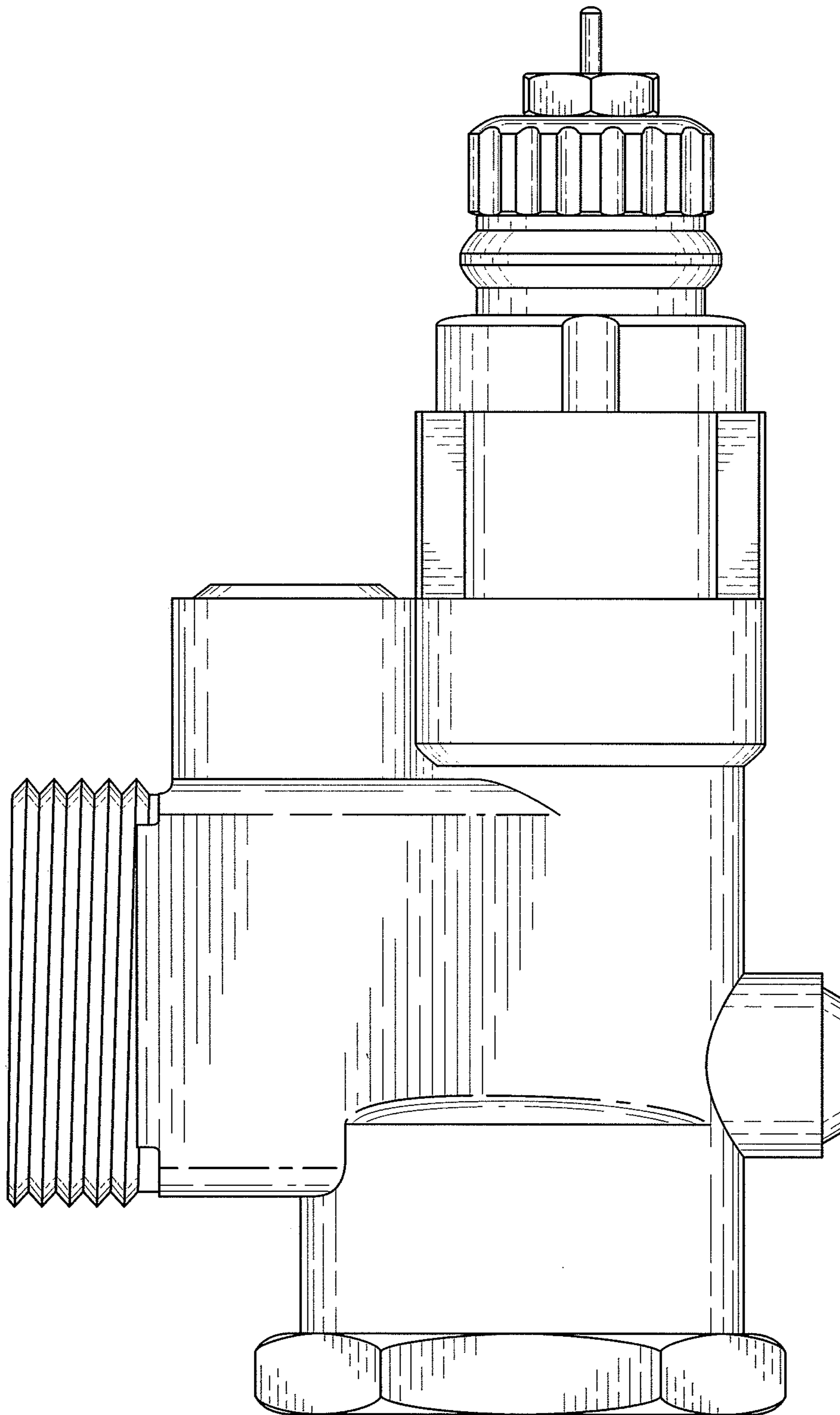


FIG. 6

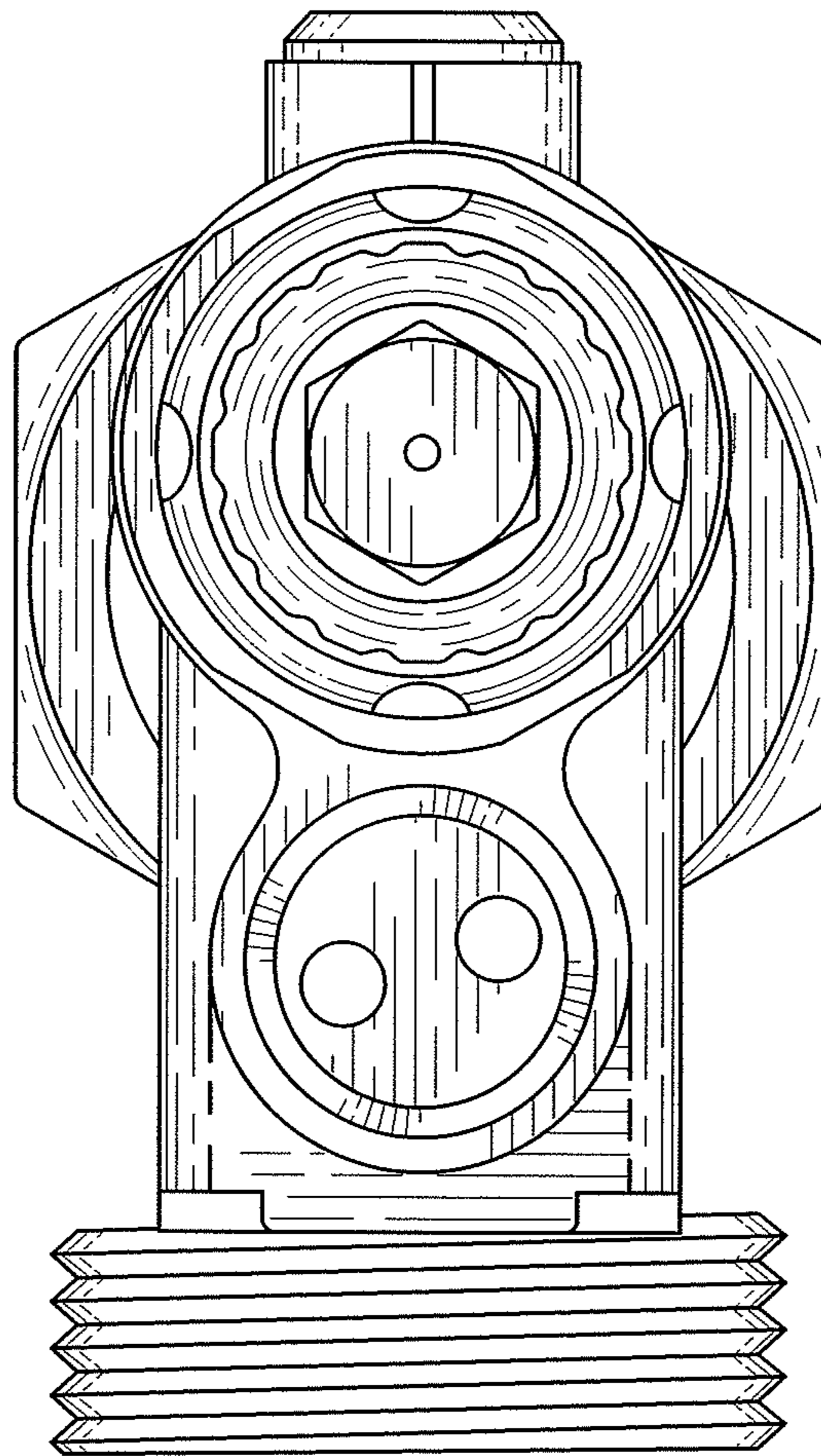


FIG. 7