



US00D690389S

(12) **United States Design Patent**  
**Doyle et al.**

(10) **Patent No.:** **US D690,389 S**

(45) **Date of Patent:** **\*\* Sep. 24, 2013**

(54) **WATER BUBBLER WATER FEATURE**

(75) Inventors: **Kevin Doyle**, Delray Beach, FL (US);  
**Bruce Johnson**, Parkland, FL (US);  
**Keith Schulte**, Parkland, FL (US)

(73) Assignee: **Pentair, Inc.**, Sanford, NC (US)

(\*\*) Term: **14 Years**

(21) Appl. No.: **29/359,455**

(22) Filed: **Apr. 12, 2010**

(51) **LOC (9) Cl.** ..... **23-01**

(52) **U.S. Cl.**  
USPC ..... **D23/213**

(58) **Field of Classification Search**  
USPC ..... D23/213–221, 233; 40/406; 362/96;  
239/17, 18, 22–23, 69–70, 590  
See application file for complete search history.

(56) **References Cited**

U.S. PATENT DOCUMENTS

1,839,994	A *	1/1932	Proffatt	.....	239/18
2,873,142	A *	2/1959	Zetterstrom	.....	239/590.3
3,630,444	A *	12/1971	Nelson	.....	239/29
4,343,435	A *	8/1982	Anderton et al.	.....	239/499
4,795,092	A *	1/1989	Fuller	.....	239/12
5,143,295	A *	9/1992	Okayama et al.	.....	239/403
5,160,086	A *	11/1992	Kuykendal et al.	.....	239/18
5,213,260	A *	5/1993	Tonkinson	.....	239/11
5,641,120	A *	6/1997	Kuykendal et al.	.....	239/18
D384,484	S *	9/1997	Ibarra et al.	.....	D34/39
6,471,146	B1 *	10/2002	Kuykendal et al.	.....	239/589
6,510,277	B1 *	1/2003	Dongo	.....	385/147
6,889,916	B2 *	5/2005	Loyd et al.	.....	239/261
D535,039	S *	1/2007	Sorokin	.....	D26/24
7,264,176	B2 *	9/2007	Johnson	.....	239/22
D623,274	S *	9/2010	Cavagna	.....	D23/233
D626,665	S *	11/2010	Sorokin	.....	D26/2

D627,816	S *	11/2010	Olsen	.....	D17/13
7,850,098	B2 *	12/2010	Vogel et al.	.....	239/463
8,042,748	B2 *	10/2011	Hagaman	.....	239/18
8,074,543	B2 *	12/2011	Hyatt et al.	.....	82/121
8,177,141	B2 *	5/2012	Hagaman	.....	239/18
2002/0130627	A1 *	9/2002	Morgan et al.	.....	315/291

\* cited by examiner

*Primary Examiner* — Michael A Pratt

(74) *Attorney, Agent, or Firm* — Tangent Law Group, PLLC;  
Eric J. Weierstall, esq.

(57) **CLAIM**

The ornamental design for a water bubbler water feature, as shown and described.

**DESCRIPTION**

FIG. 1 is a perspective view of a design of a water bubbler water feature.

FIG. 2 is a top view of the embodiment of FIG. 1.

FIG. 3 is a front view of the embodiment of FIG. 1.

FIG. 4 is a bottom view of the embodiment of FIG. 1.

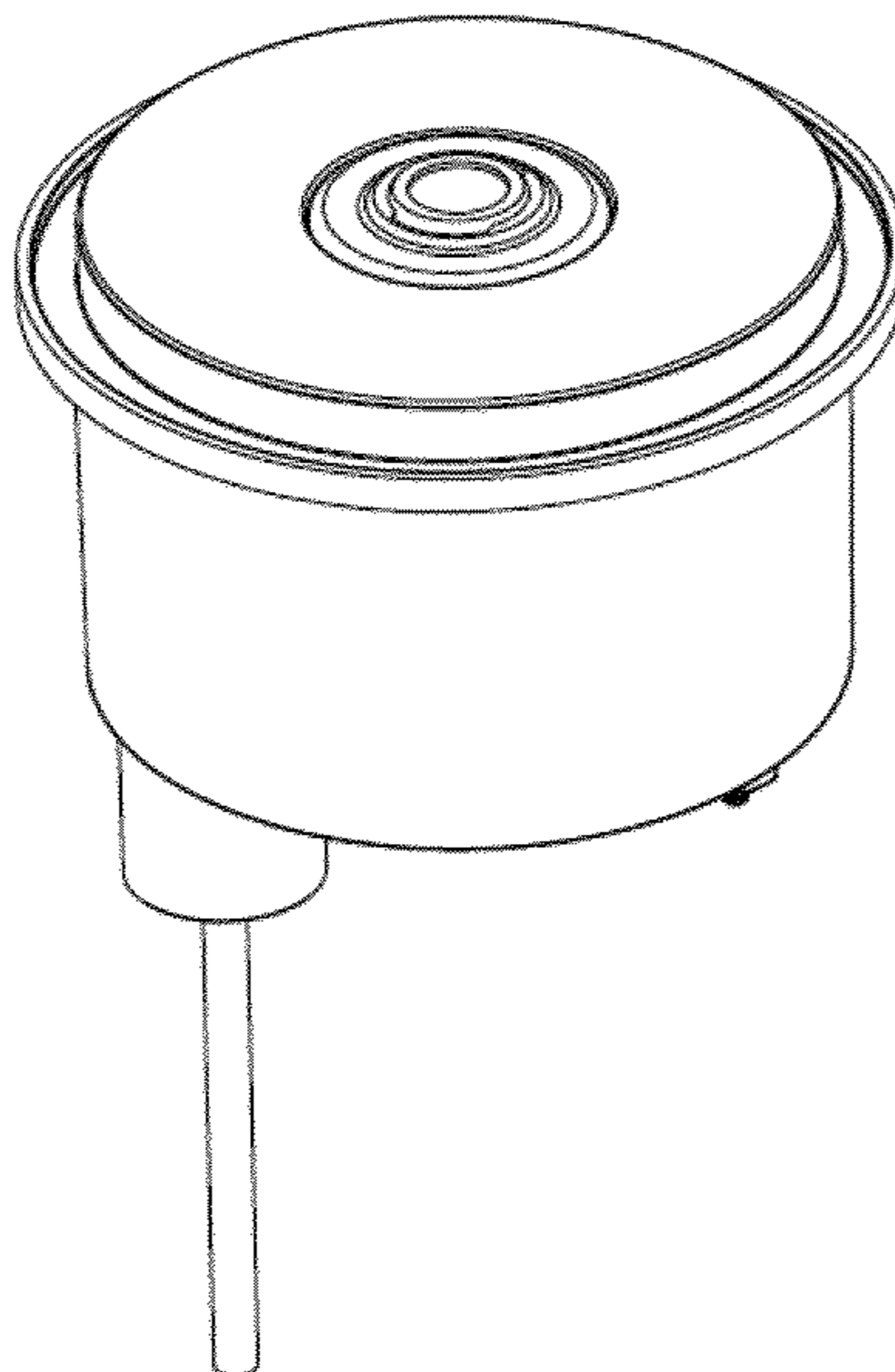
FIG. 5 is a back view of the embodiment of FIG. 1; and,

FIG. 6 is a side view of the embodiment of FIG. 1.

The invention comprises a water bubbler water feature as substantially described and shown in FIGS. 1-6. FIGS. 1-6 show an exemplary embodiment having a diffuser cover. The broken lines in FIG. 4 are included for the purpose of illustrating a portion of the claimed design that forms no part of the claimed design.

The invention relates to a water bubbler water feature. The device includes a lighting ring and a bubbler element. In this instance the bubble element passes through the ring and water issues therefrom. The water is lit by the lighting contained in the ring as it issues from the device. In an exemplary embodiment, the light is made diffuse by a diffuser cover.

**1 Claim, 6 Drawing Sheets**



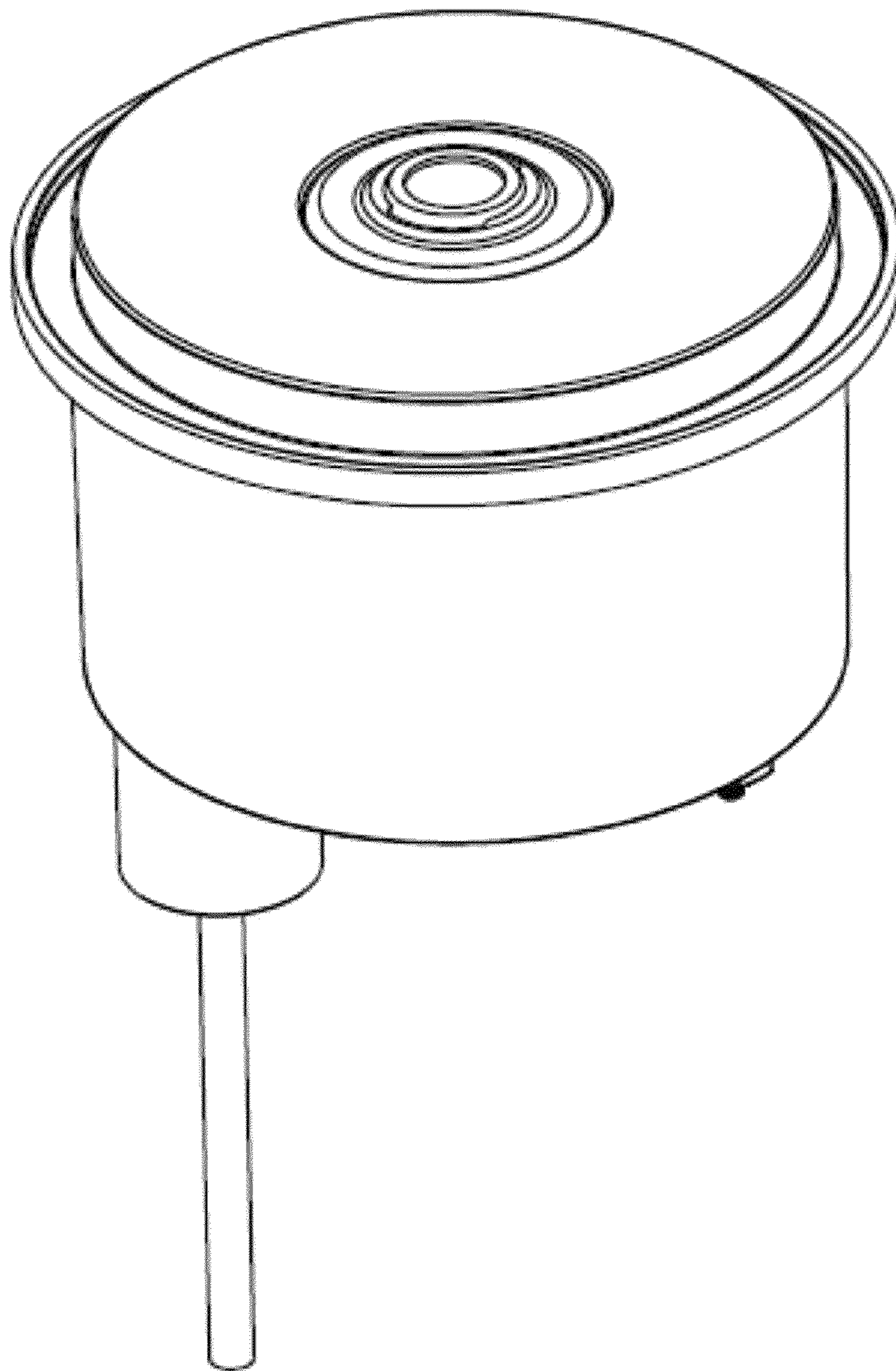


FIG. 1

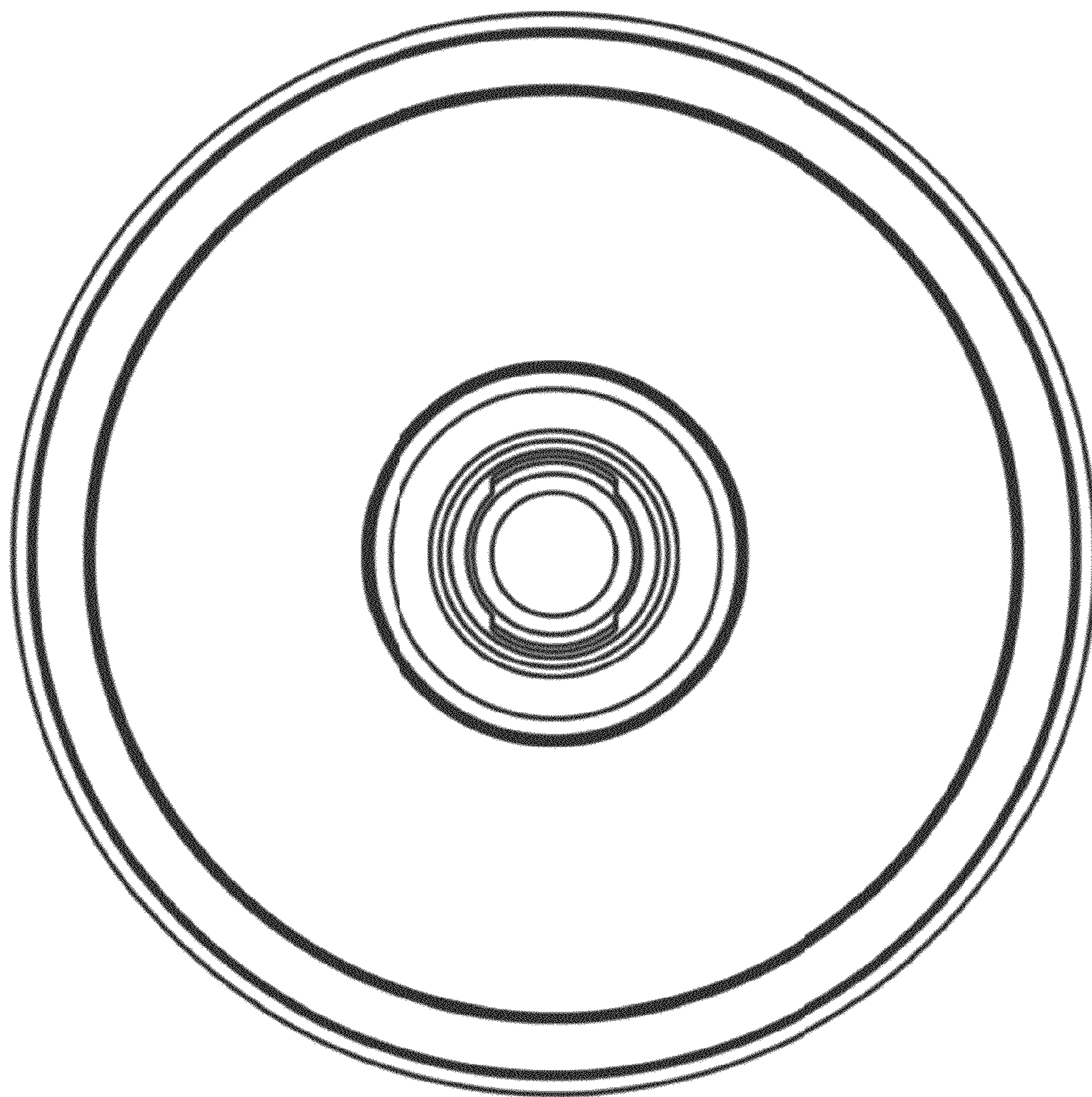


FIG. 2

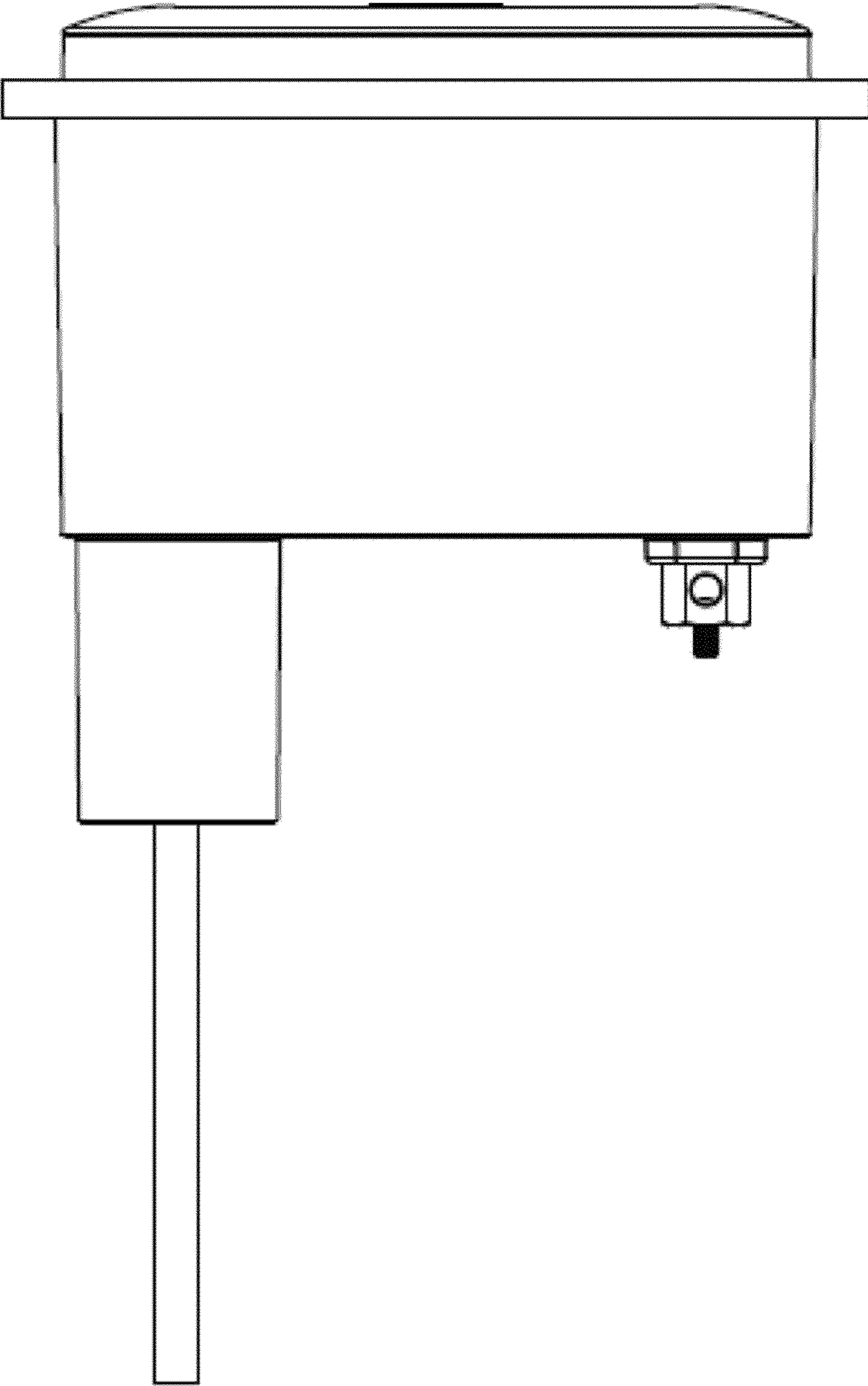


FIG. 3

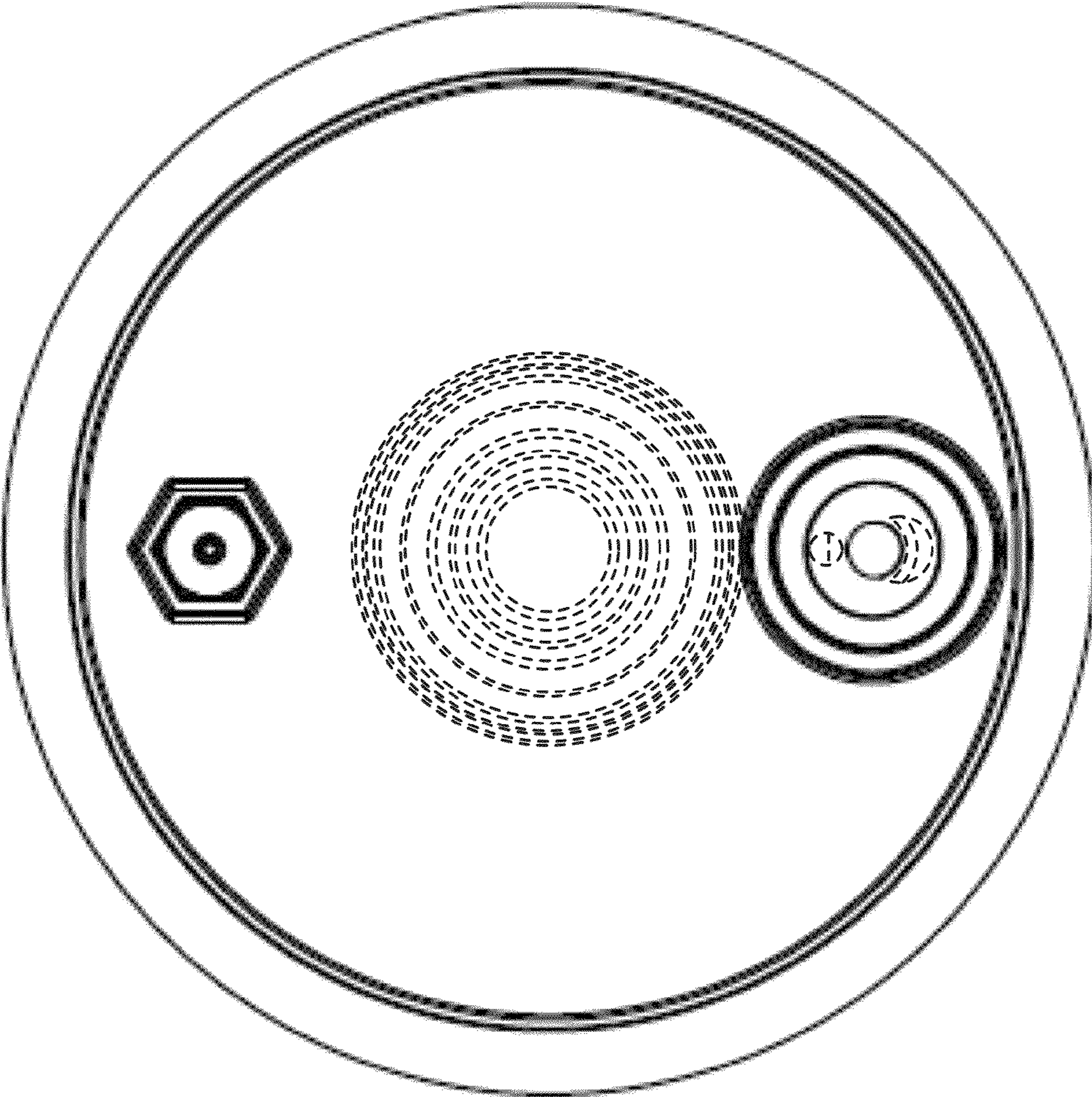


FIG. 4

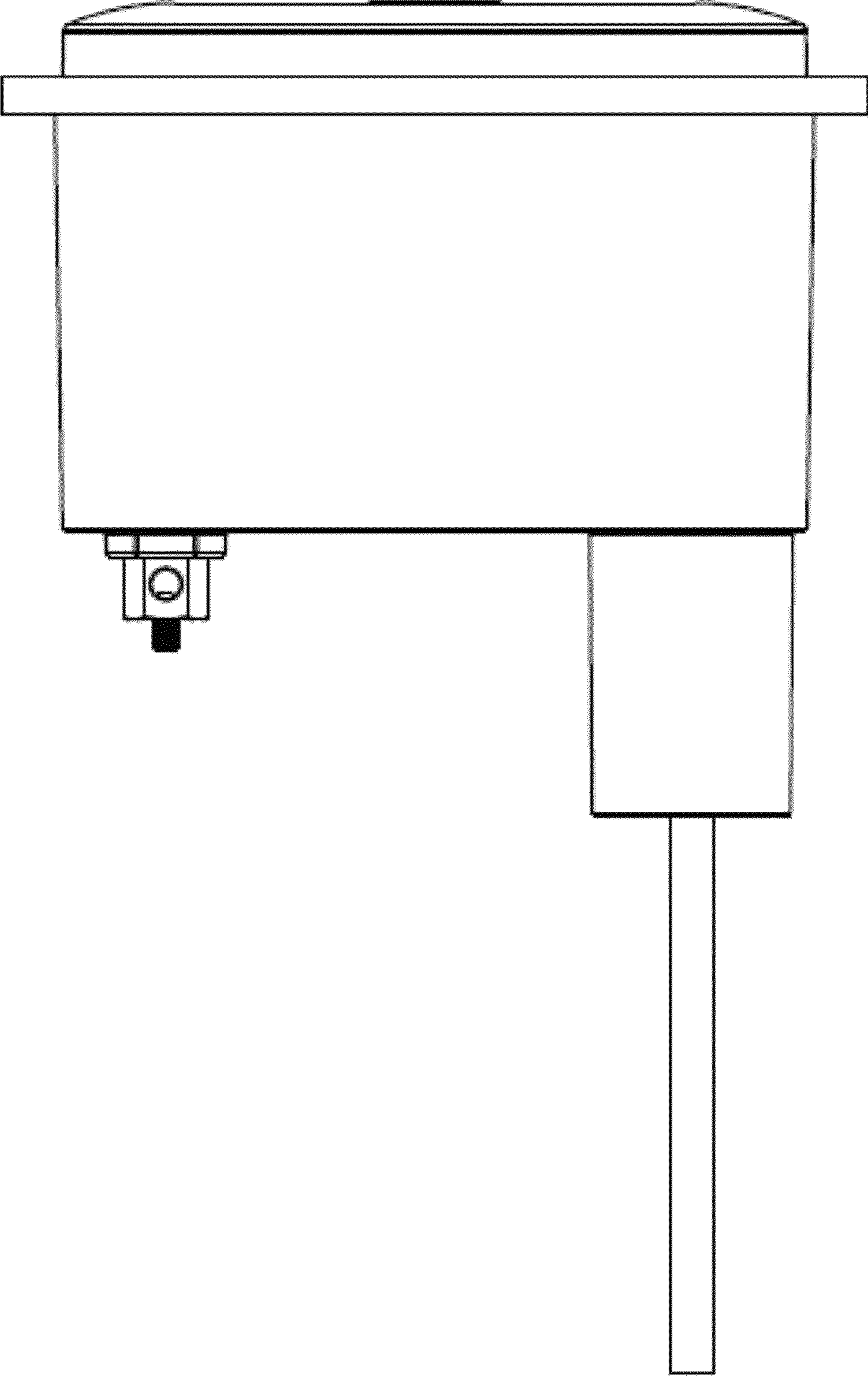


FIG. 5

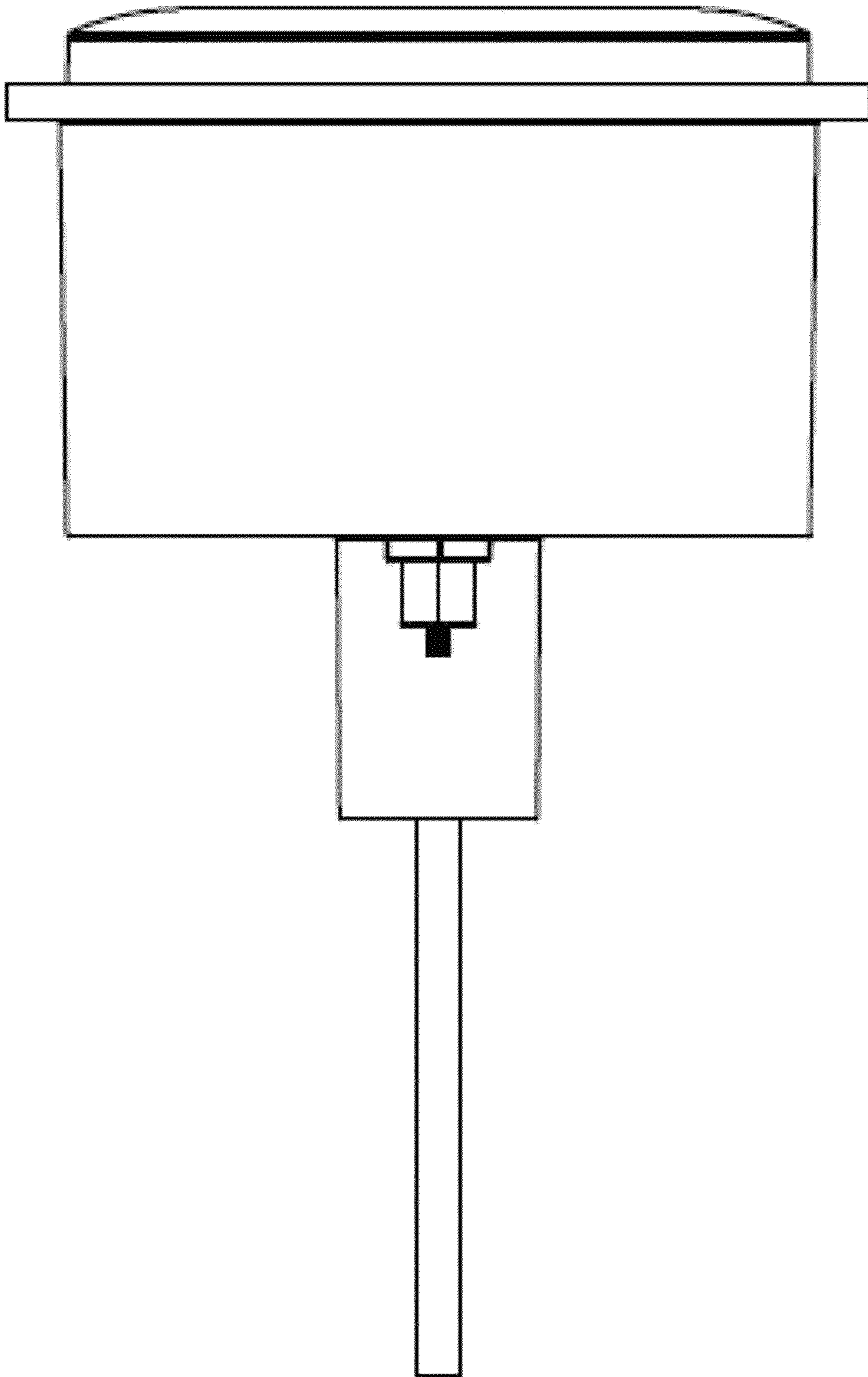


FIG. 6