



US00D690388S

(12) **United States Design Patent**
Mancuso, Jr.

(10) **Patent No.:** **US D690,388 S**

(45) **Date of Patent:** **** Sep. 24, 2013**

(54) **SET OF TWO IDENTICAL TOTE COMPONENTS FOR DRAGGING A GAME CARCASS**

(71) Applicant: **Joseph R. Mancuso, Jr.**, Lagrange, OH (US)

(72) Inventor: **Joseph R. Mancuso, Jr.**, Lagrange, OH (US)

(**) Term: **14 Years**

(21) Appl. No.: **29/442,319**

(22) Filed: **Feb. 4, 2013**

(51) **LOC (9) Cl.** **22-99**

(52) **U.S. Cl.**
USPC **D22/199**

(58) **Field of Classification Search**
USPC D22/199; 224/103, 184, 576, 259–260, 224/638, 921; 294/150, 152–153, 137, 142, 294/81.2, 74, 167, 141, 146, 165; 43/5; 119/799; 452/103, 189
See application file for complete search history.

(56) **References Cited**

U.S. PATENT DOCUMENTS

115,691 A	6/1871	Brent	119/861
738,983 A	9/1903	Burdick	70/16
1,536,551 A	5/1925	Young	119/819
3,038,644 A	6/1962	Johnson	224/184
4,132,427 A	1/1979	McGee	280/19
4,243,164 A	1/1981	Burlison et al.	224/52
4,351,169 A	9/1982	Plymale	70/16
4,638,764 A	1/1987	Anderson	119/96
4,828,307 A	5/1989	Sokol et al.	294/79
4,854,138 A	8/1989	Charland	70/16
D312,164 S	11/1990	Pierotti	D34/28
D333,695 S *	3/1993	Gatto et al.	D22/199
5,316,356 A	5/1994	Nutting	294/118
5,382,064 A	1/1995	Blais	294/26
5,461,890 A	10/1995	LeFavor	70/16
5,848,816 A	12/1998	Hancock	294/15

5,901,999 A	5/1999	Brock	294/153
5,951,080 A *	9/1999	Wessner	294/153
6,006,968 A	12/1999	McCarthy et al.	224/184
6,089,636 A	7/2000	Harris	294/150
6,129,399 A	10/2000	Burch, Sr.	294/153
D434,199 S	11/2000	Alviso	D34/28
6,142,547 A	11/2000	Bowerman	294/150
6,250,699 B1	6/2001	Robertson	294/153
6,334,444 B1	1/2002	Sisco	128/869
6,360,747 B1	3/2002	Velarde et al.	128/869
6,637,242 B2	10/2003	Masters	70/16
D486,879 S	2/2004	Powell et al.	D22/199
6,755,454 B1	6/2004	Cary	294/150
7,487,565 B1 *	2/2009	Sundling et al.	294/153
D603,014 S *	10/2009	Rice	D22/199
7,896,416 B2 *	3/2011	Carter	294/167
D643,991 S	8/2011	Miller et al.	D34/28
8,062,107 B1	11/2011	Sauer	452/197
8,292,341 B1	10/2012	Sokoly	294/152

* cited by examiner

Primary Examiner — Catheri Oliver-Garcia

(74) *Attorney, Agent, or Firm* — David A. Burge

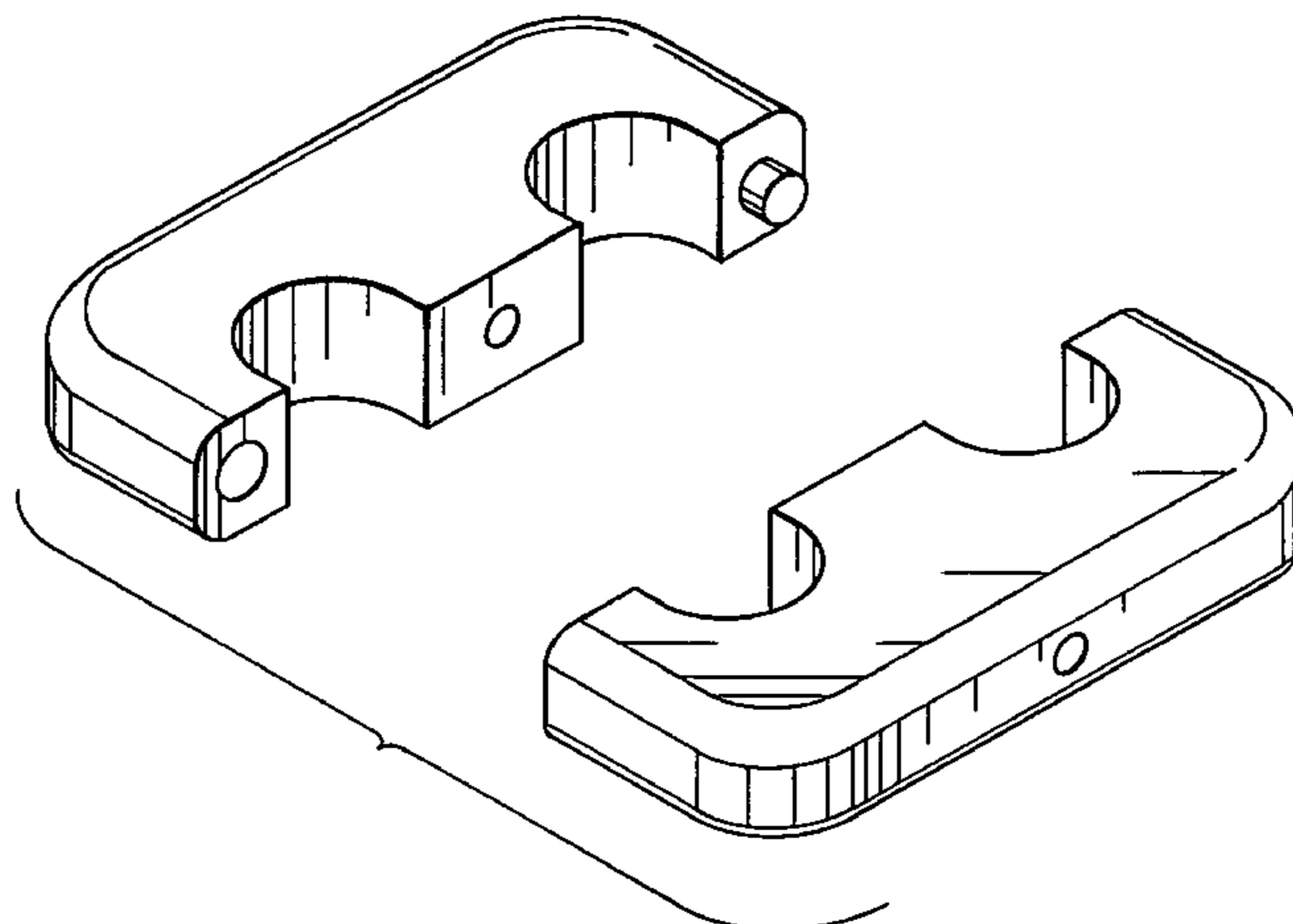
(57) **CLAIM**

I claim the ornamental design for a set of two identical tote components for dragging a game carcass, substantially as shown and described.

DESCRIPTION

FIG. 1 is a perspective view of a set of two identical tote components showing my new design; FIG. 2 is a top view of one of the two identical components, it being understood that a bottom view is identical thereto; FIG. 3 is a rear view thereof; FIG. 4 is a front view thereof; and, FIG. 5 is a right end view thereof, it being understood that a left end view is identical thereto. References used herein as front, rear, left, right, top and bottom of the claimed design are not meant for any particular in-use orientation and may be changed for different orientation of the claimed design as chosen by the user.

1 Claim, 2 Drawing Sheets



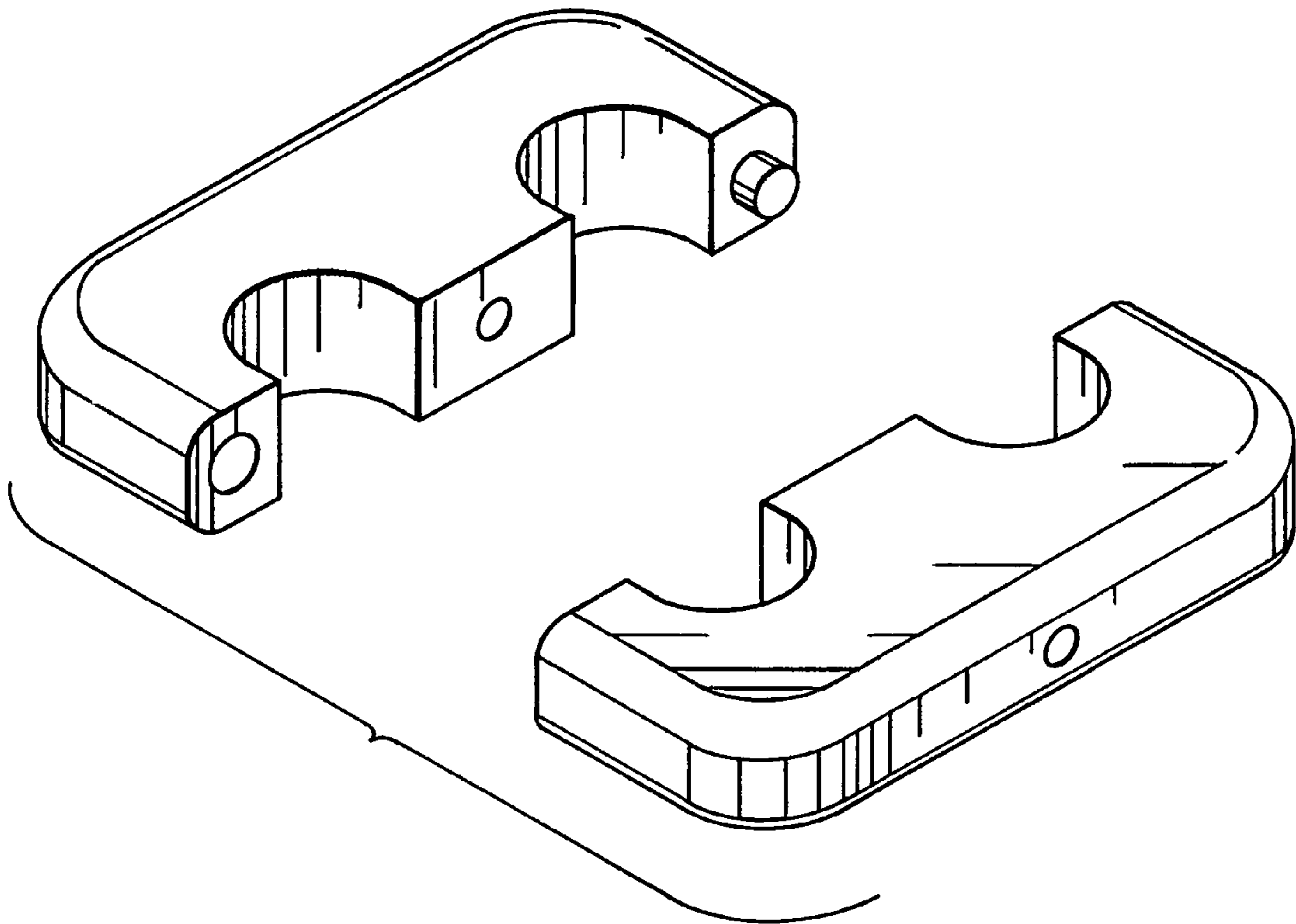


FIG. 1

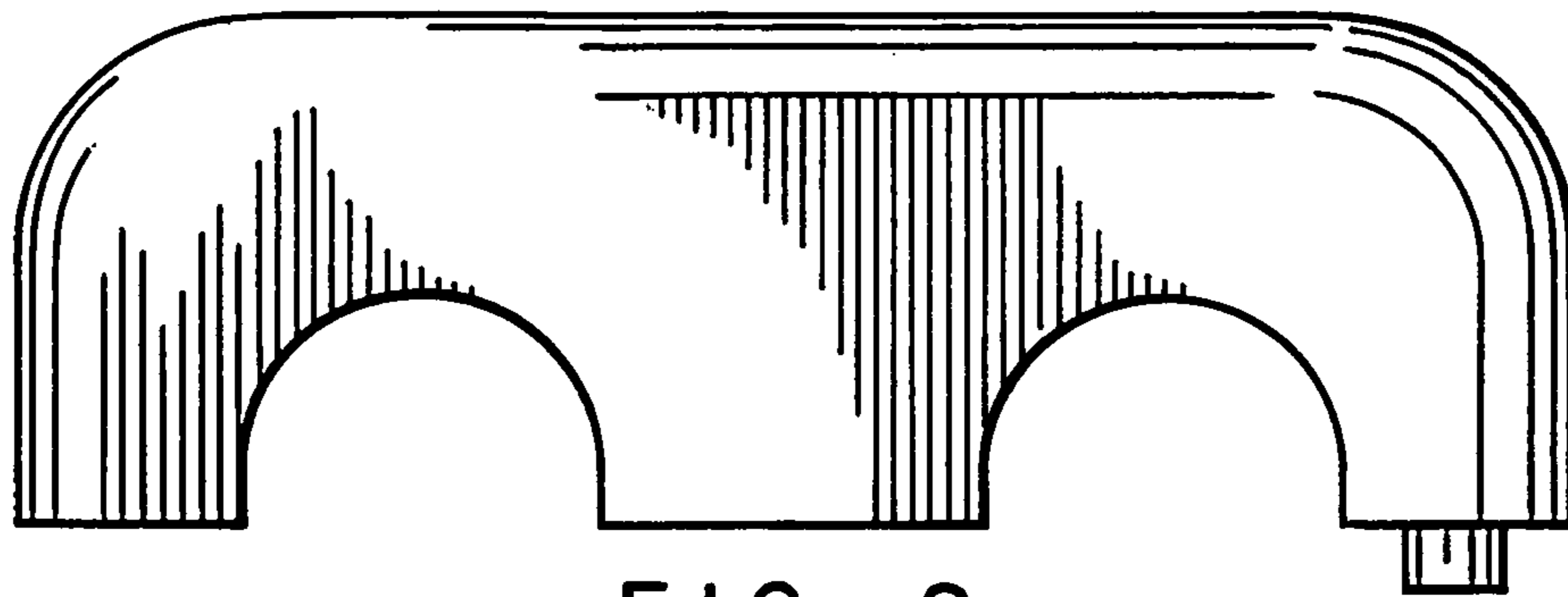


FIG. 2

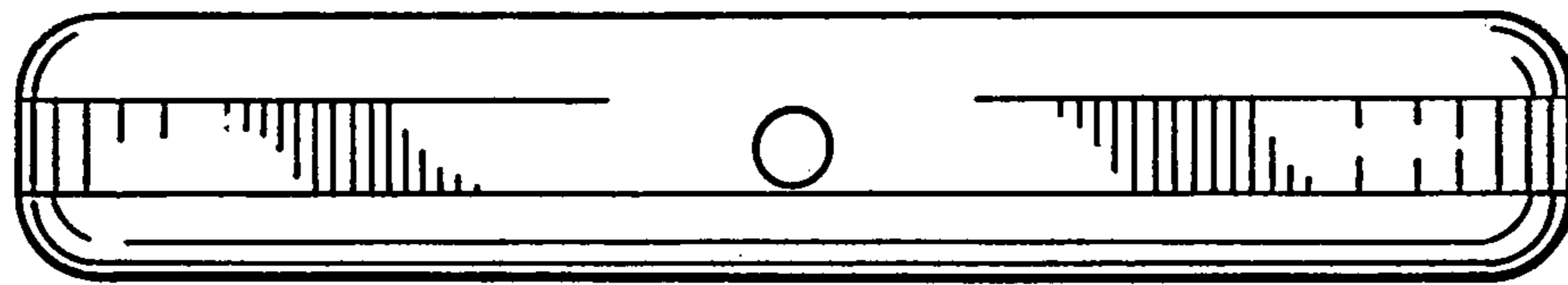


FIG. 3

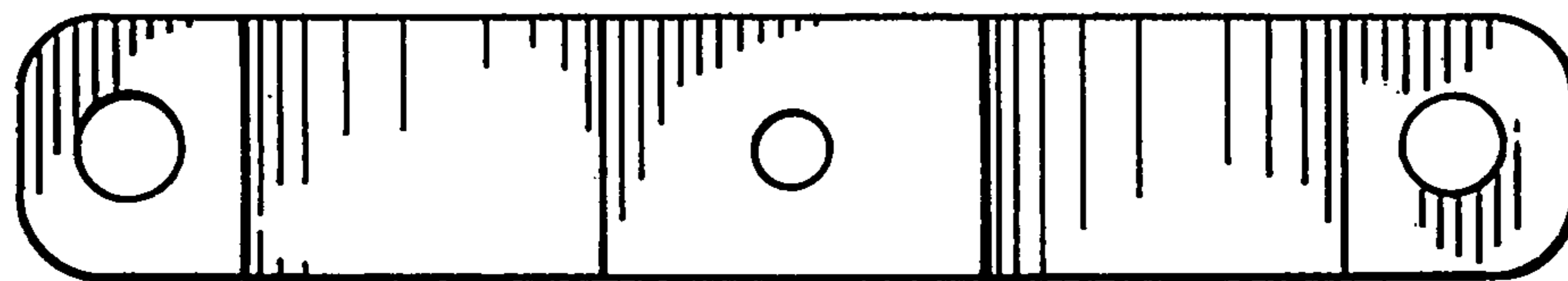


FIG. 4

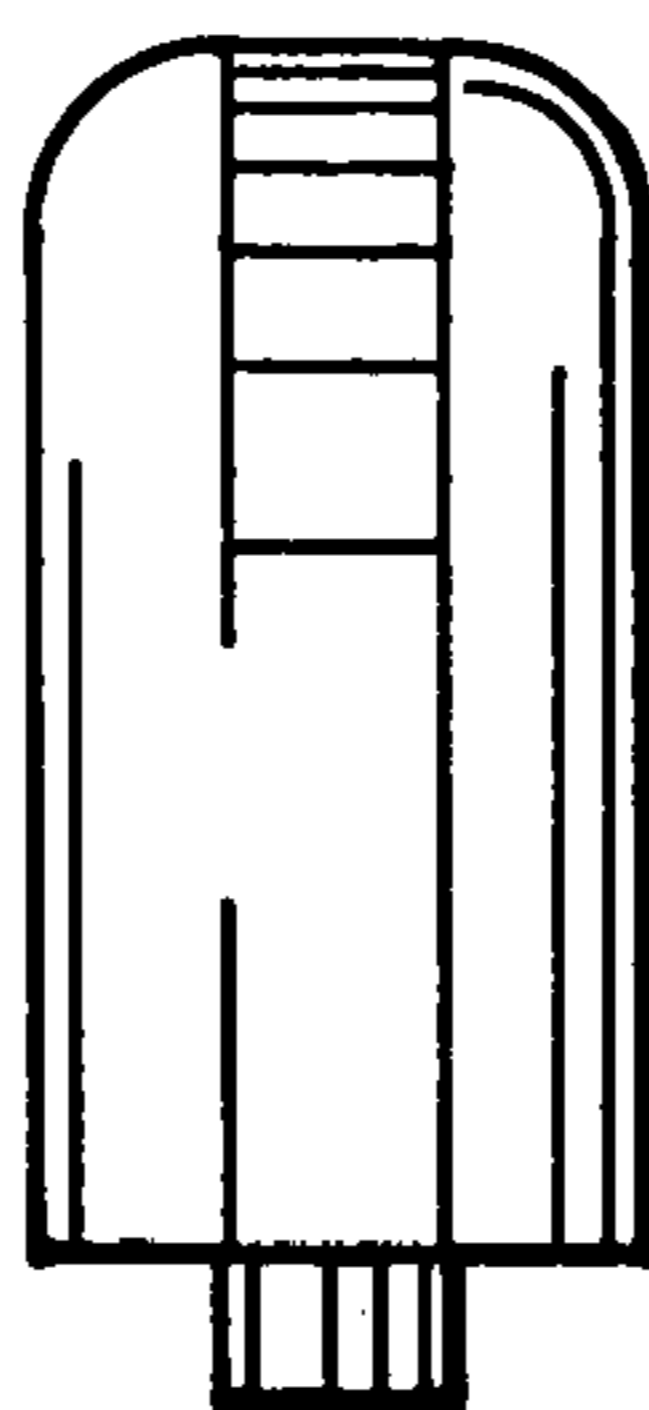


FIG. 5