



US00D690387S

(12) **United States Design Patent**  
**Davies**

(10) **Patent No.:** **US D690,387 S**

(45) **Date of Patent:** **\*\* Sep. 24, 2013**

(54) **SINKER WITH A BEAD CONFINED WITHIN  
A TRANSPARENT WINDOW TUBE**

(71) Applicant: **Steven Davies**, North Edwards, CA (US)

(72) Inventor: **Steven Davies**, North Edwards, CA (US)

(\*\*) Term: **14 Years**

(21) Appl. No.: **29/445,392**

(22) Filed: **Feb. 11, 2013**

(51) **LOC (9) Cl.** ..... **22-05**

(52) **U.S. Cl.**  
USPC ..... **D22/145**

(58) **Field of Classification Search**  
USPC ..... D22/145; 43/42.06, 42.1, 43.14,  
43/43.11, 44.84, 44.87, 44.88, 44.93  
See application file for complete search history.

(56) **References Cited**

U.S. PATENT DOCUMENTS

2,654,177	A *	10/1953	Cope et al.	.....	43/44.88
2,718,086	A *	9/1955	Miner	.....	43/42.06
D463,842	S *	10/2002	Gentry	.....	D22/145
6,574,910	B1 *	6/2003	Verdura Pares	.....	43/44.88
D527,437	S *	8/2006	Bosse et al.	.....	D22/145
D677,358	S *	3/2013	Garofalo et al.	.....	D22/145

\* cited by examiner

*Primary Examiner* — Catheri Oliver-Garcia

(74) *Attorney, Agent, or Firm* — QuickPatents; Kevin Prince

(57) **CLAIM**

I claim the ornamental design for a sinker with a bead confined within a transparent window tube, as shown and described.

**DESCRIPTION**

FIG. 1 is a perspective view of a sinker with a bead confined within a transparent window tube, showing a first embodiment of my new design;

FIG. 2 is a front elevational view of FIG. 1, the rear elevational view being a mirror image thereof;

FIG. 3 is a left-side elevational view of FIG. 1, the right-side elevational view being a mirror image thereof;

FIG. 4 is a top plan view of FIG. 1;

FIG. 5 is a bottom plan view of FIG. 1;

FIG. 6 is a cross-sectional view of FIG. 1, taken generally along line 6-6 of FIG. 2;

FIG. 7 is a perspective view of a second embodiment thereof;

FIG. 8 is a front elevational view of FIG. 7, the rear elevational view being a mirror image thereof;

FIG. 9 is a left-side elevational view of FIG. 7, the right-side elevational view being a mirror image thereof;

FIG. 10 is a top plan view of FIG. 7;

FIG. 11 is a bottom plan view of FIG. 7; and

FIG. 12 is a cross-sectional view of FIG. 8, taken generally along line 12-12 of FIG. 9;

FIG. 13 is a perspective view of a third embodiment thereof;

FIG. 14 is a front elevational view of FIG. 13, the rear elevational view being a mirror image thereof;

FIG. 15 is a left-side elevational view of FIG. 13, the right-side elevational view being a mirror image thereof;

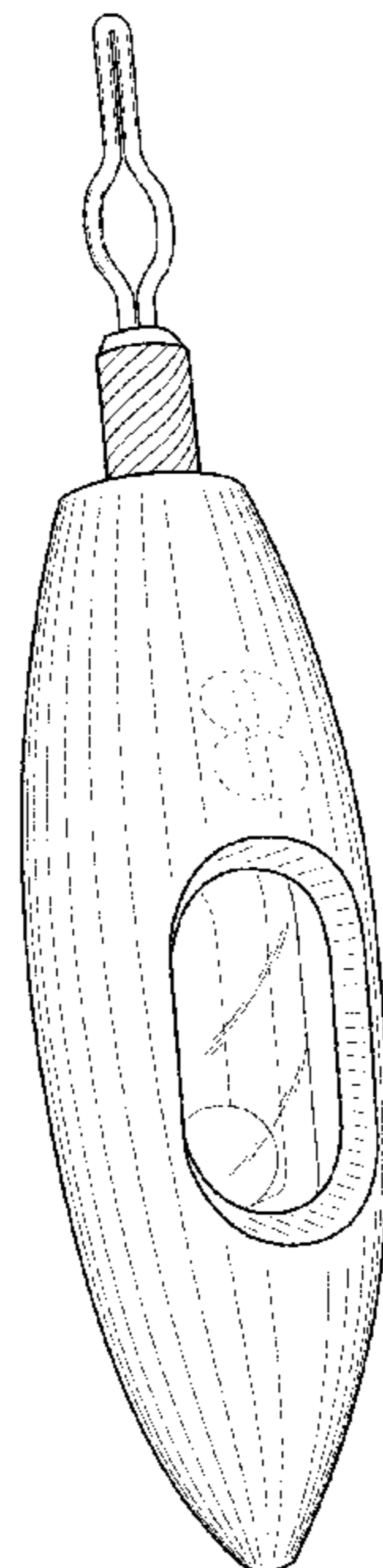
FIG. 16 is a top plan view of FIG. 13;

FIG. 17 is a bottom plan view of FIG. 13; and,

FIG. 18 is a cross-sectional view of FIG. 13, taken generally along line 18-18 of FIG. 14.

The broken lines showing text applied to the design in the figures depict environmental matter and form no part of the claimed design.

**1 Claim, 9 Drawing Sheets**



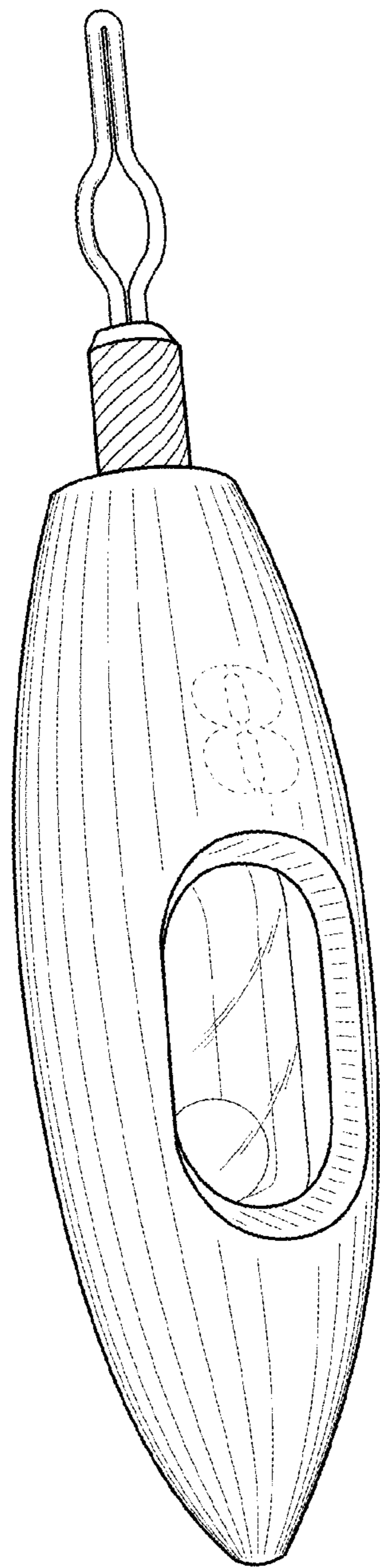


FIG. 1

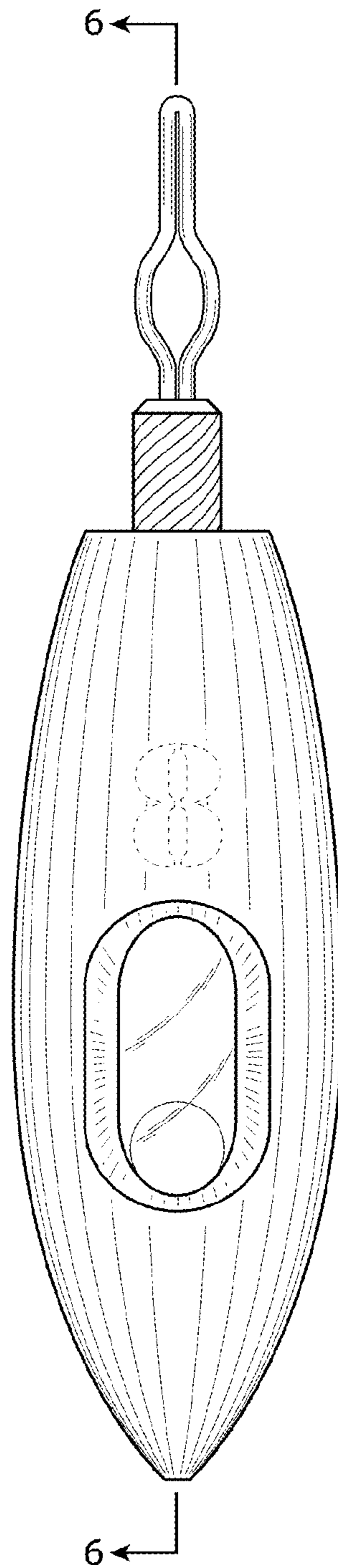


FIG. 2

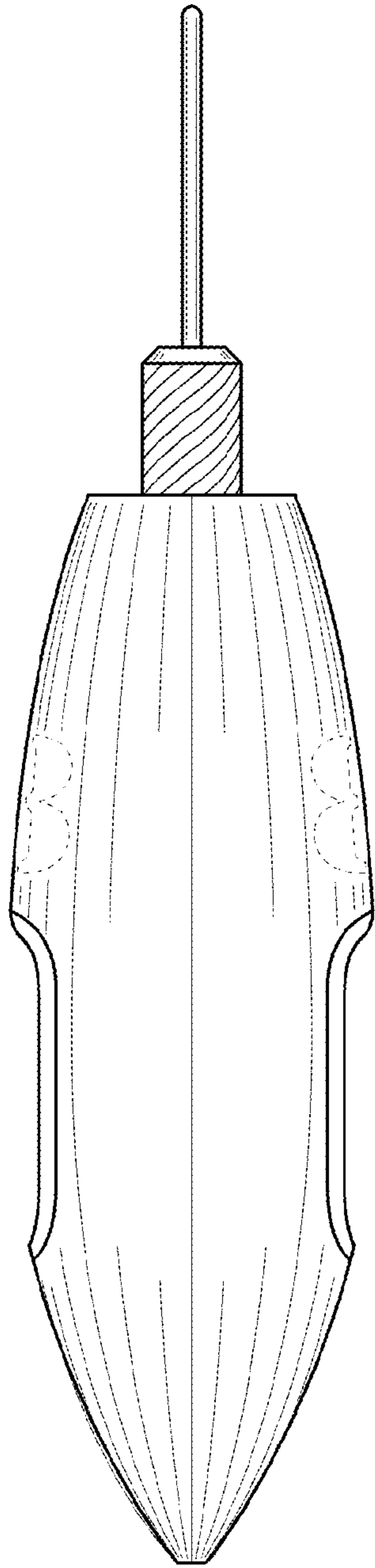


FIG. 3

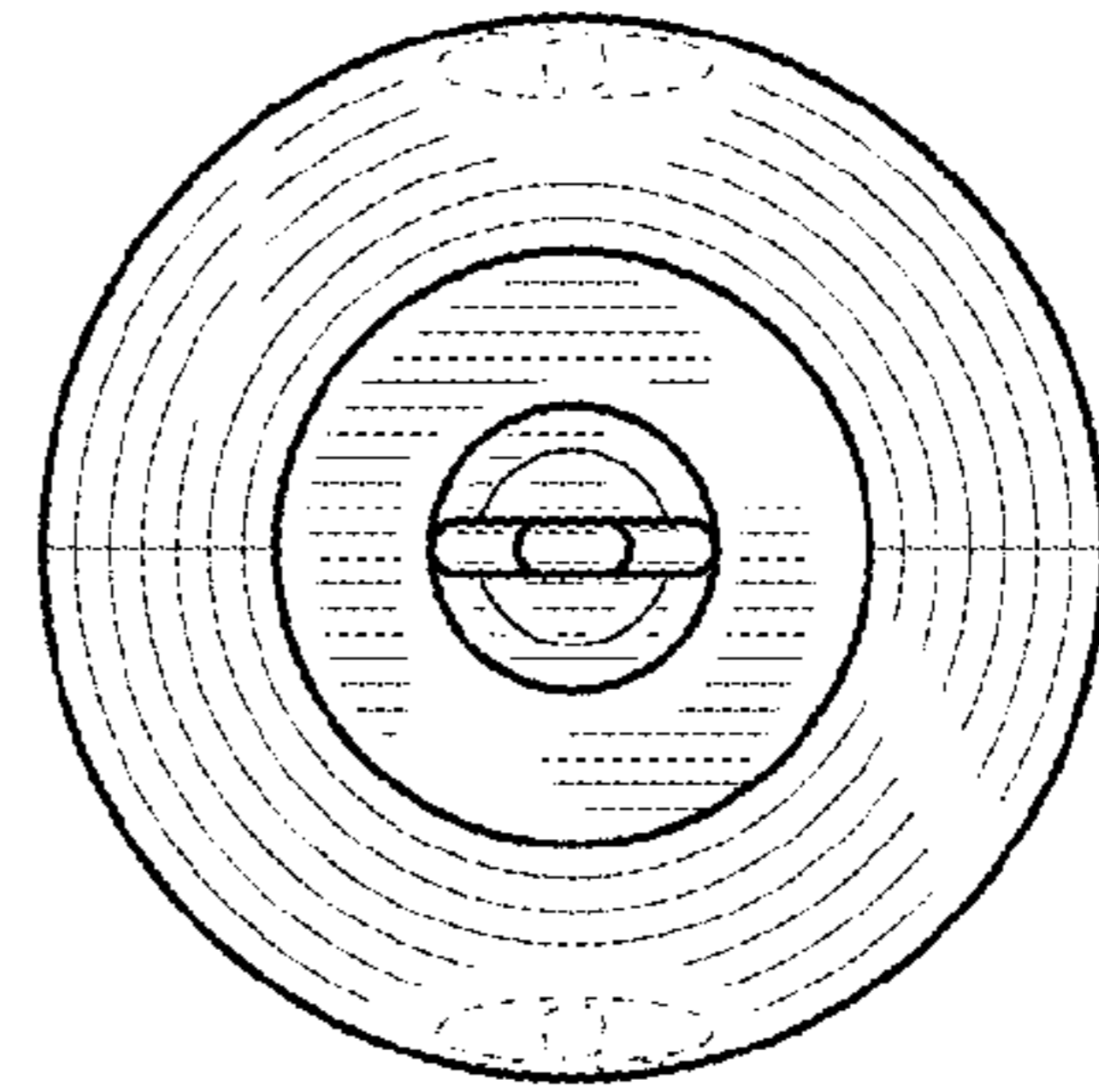


FIG. 4

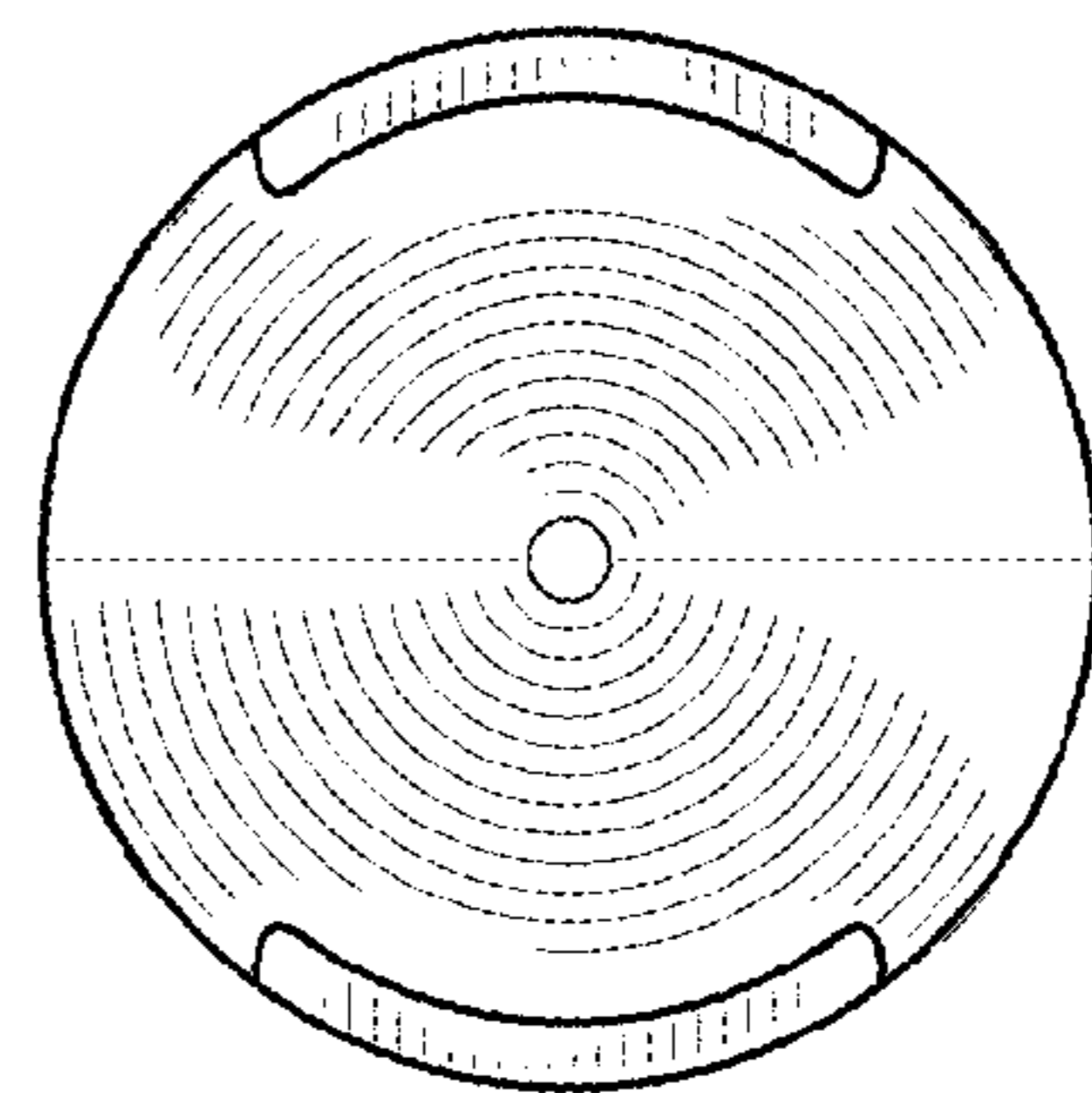


FIG. 5

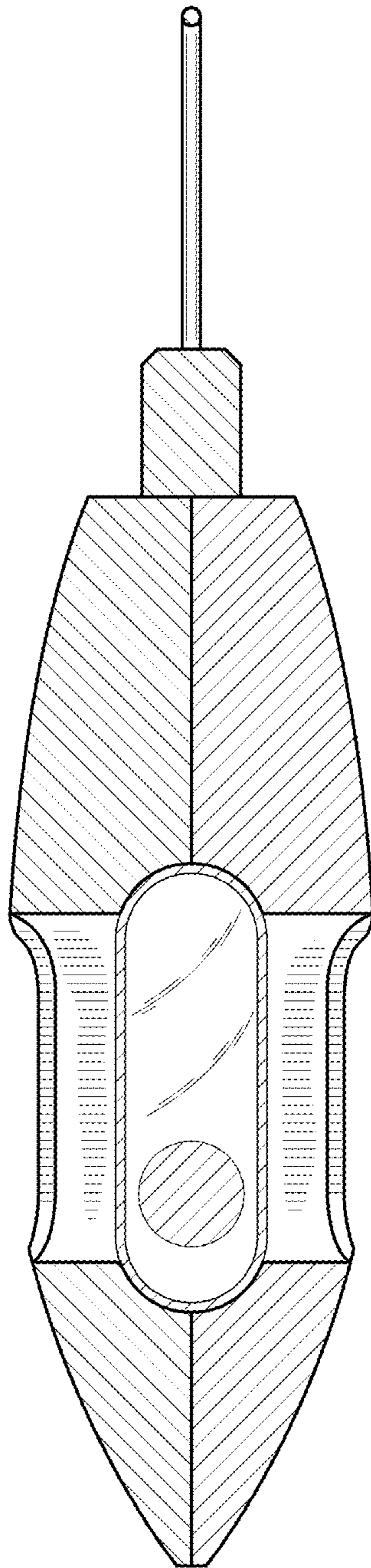


FIG. 6



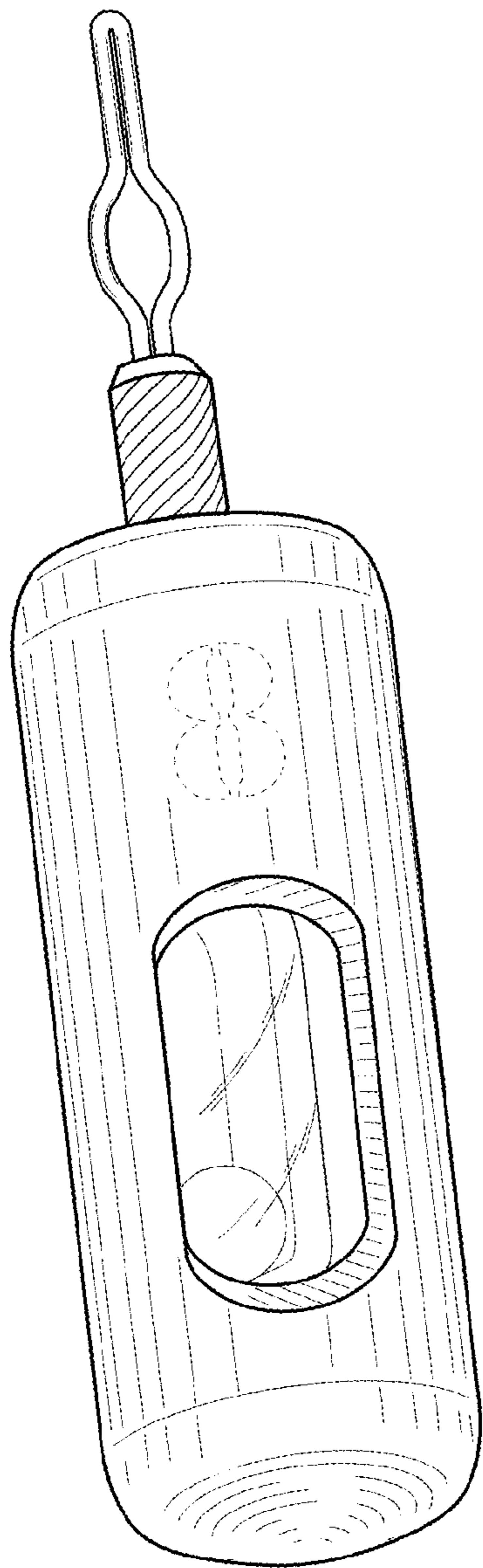


FIG. 7

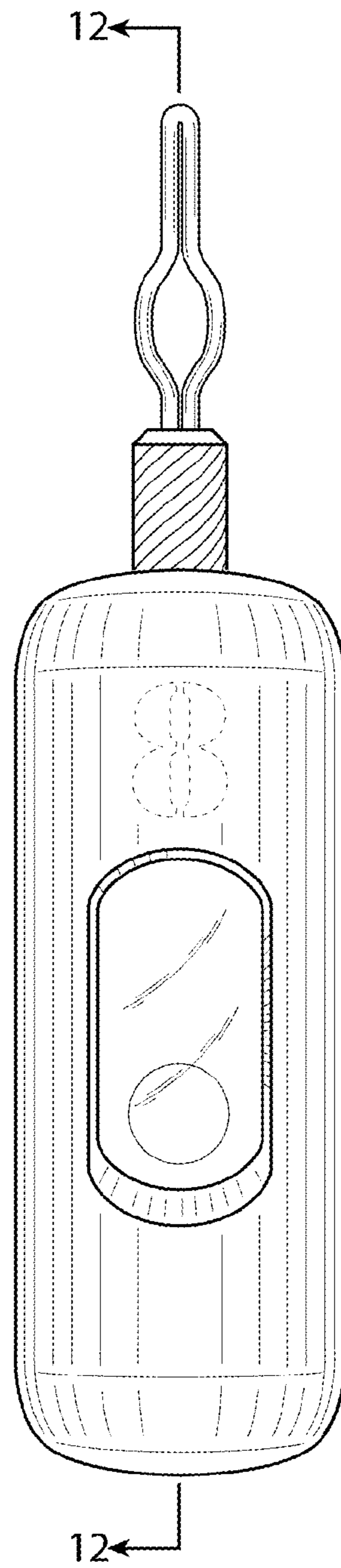


FIG. 8

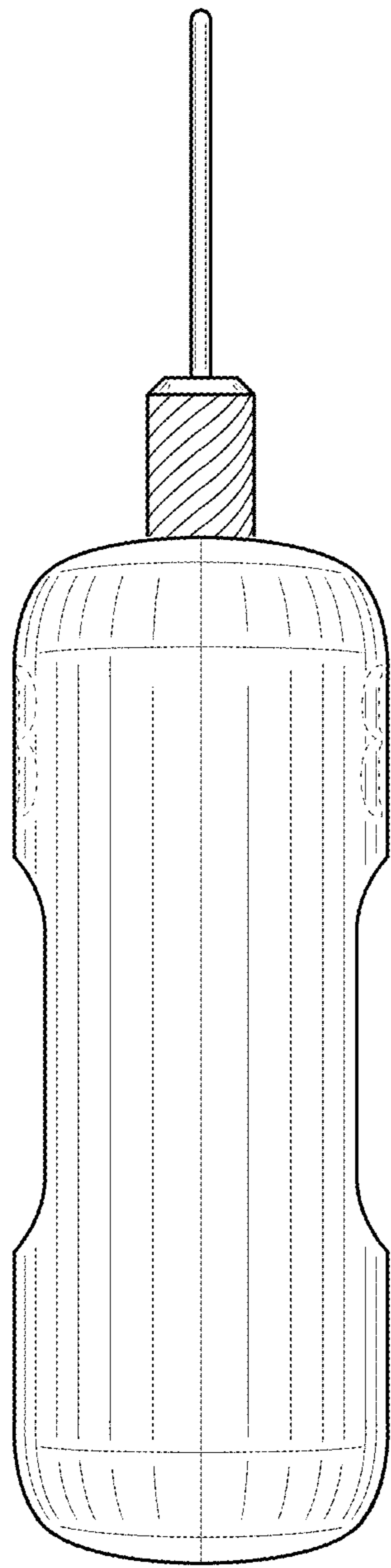


FIG. 9

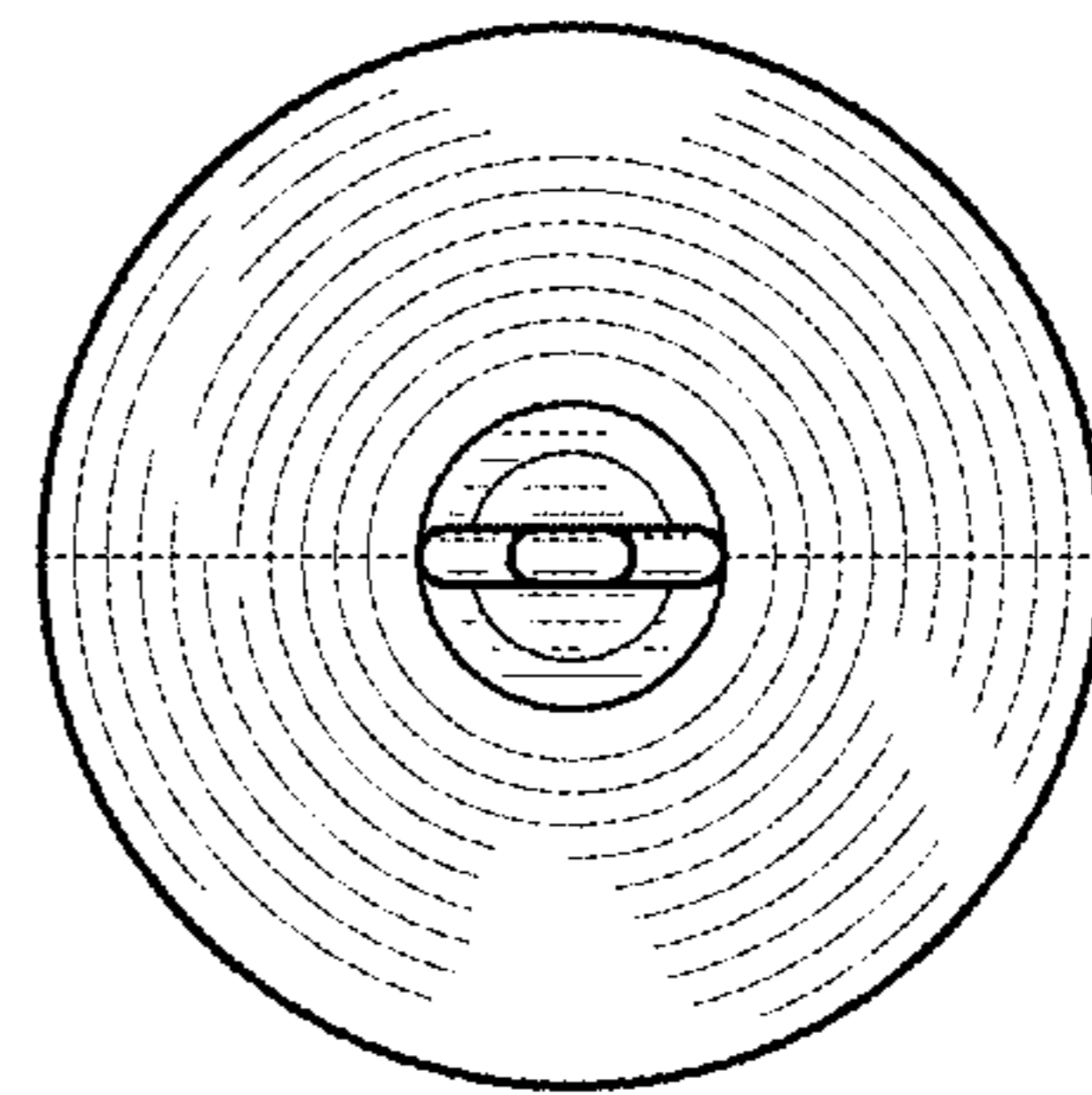


FIG. 10

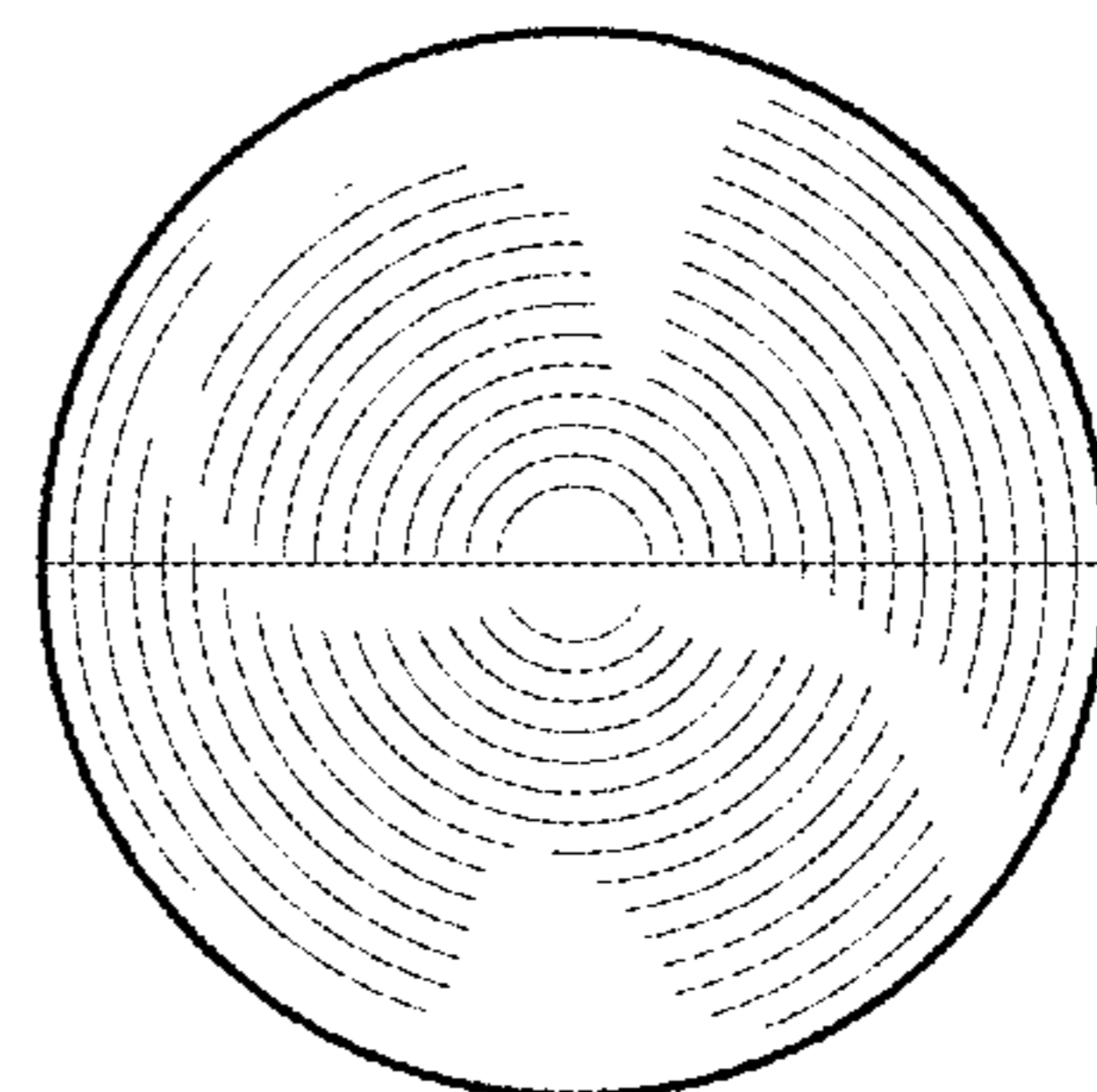


FIG. 11

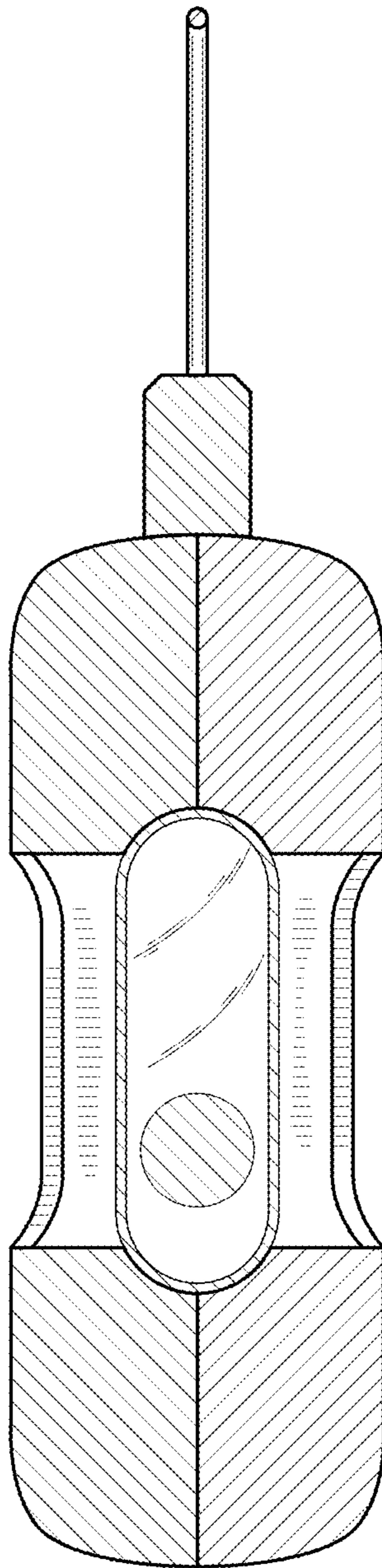


FIG. 12

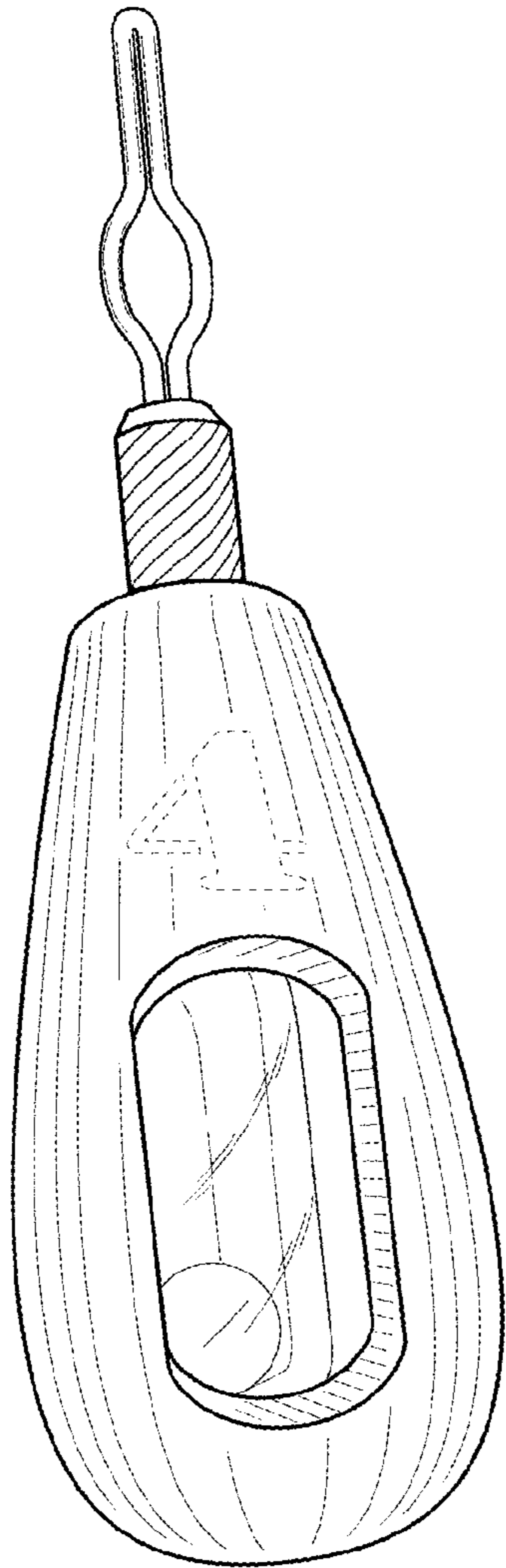


FIG. 13

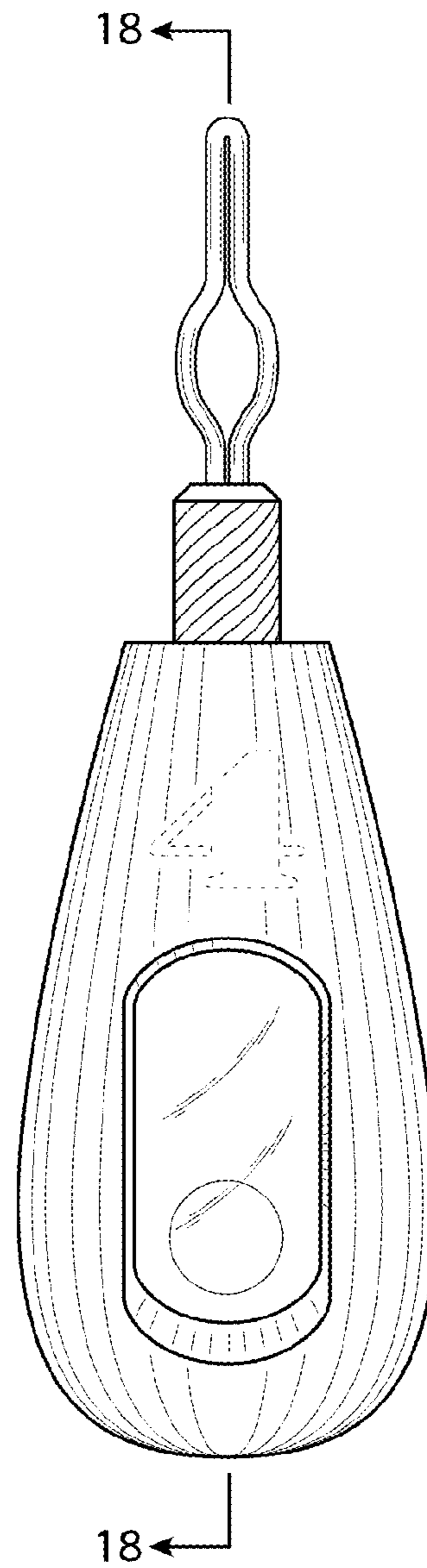


FIG. 14



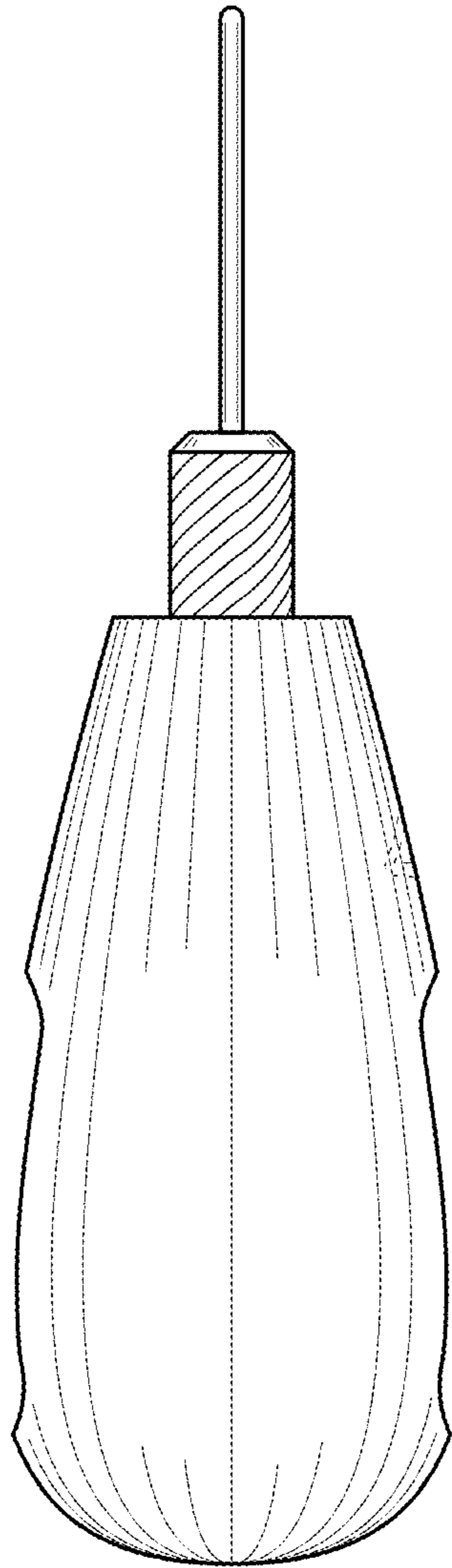


FIG. 15

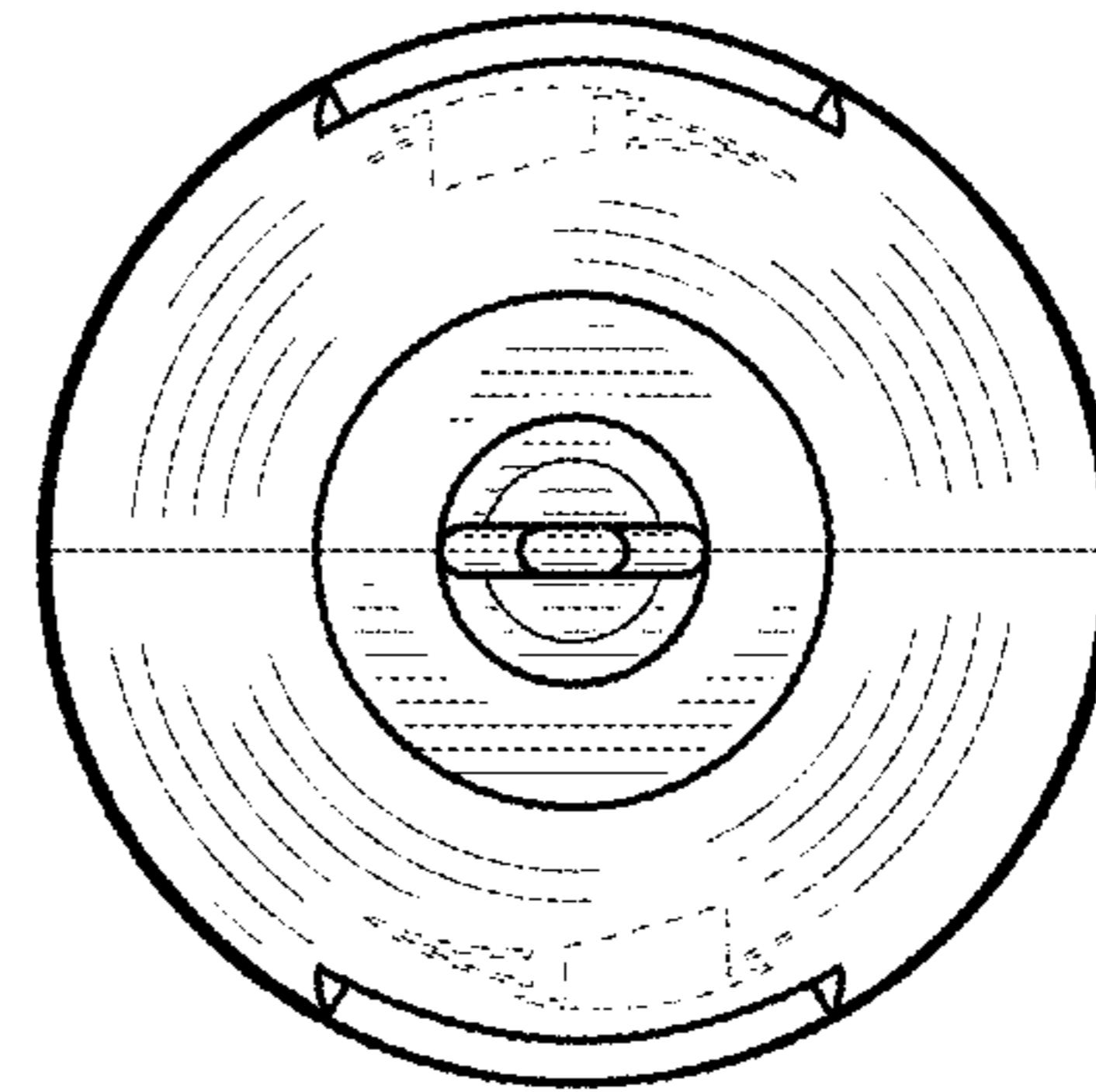


FIG. 16

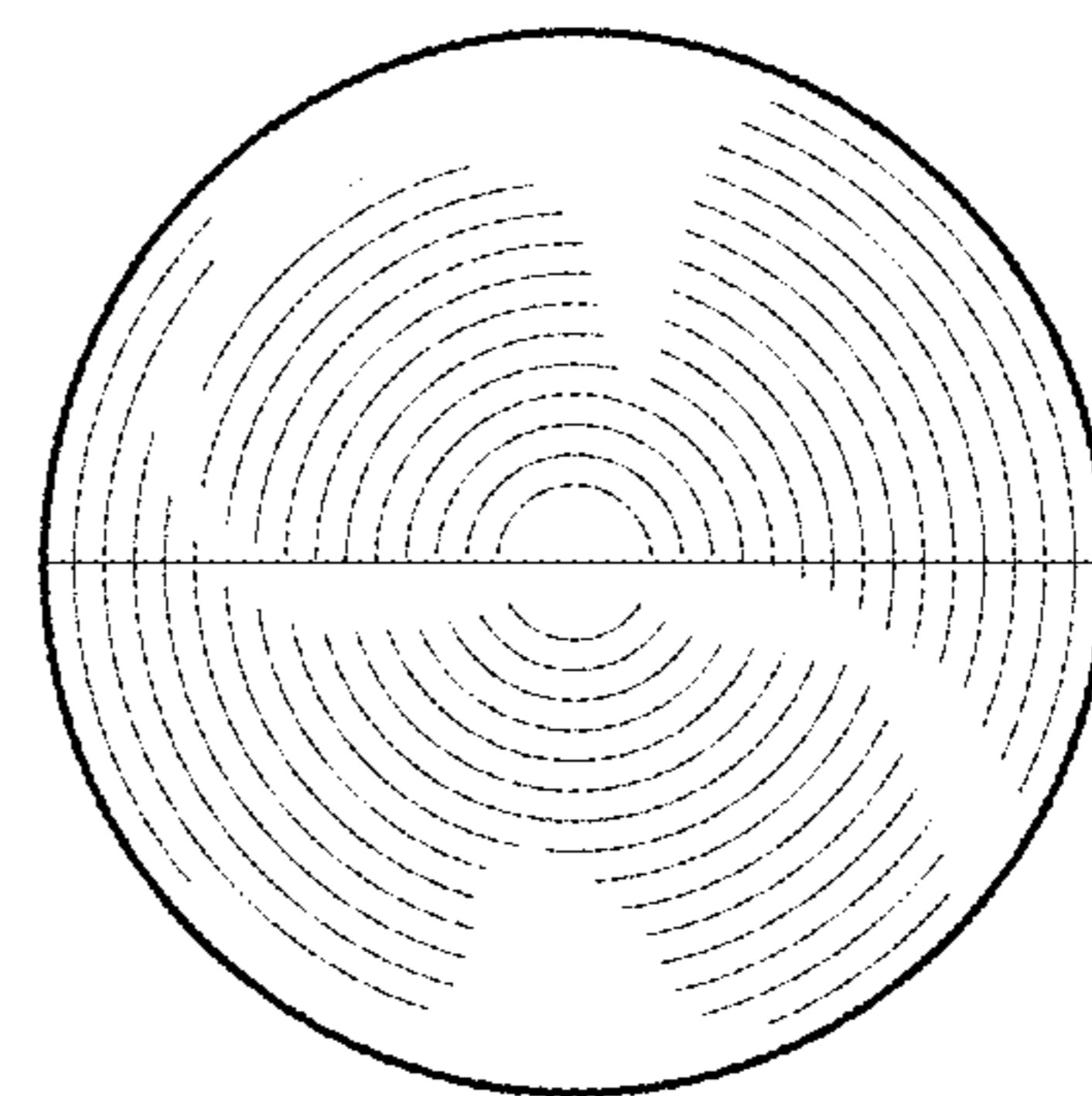


FIG. 17

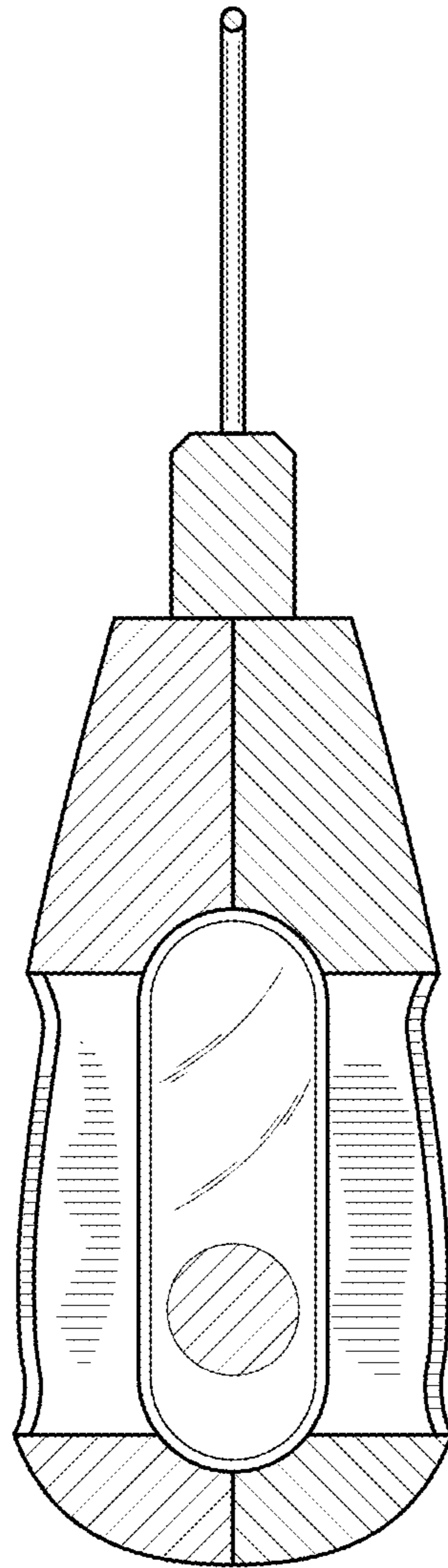


FIG. 18