



US00D690386S

(12) **United States Design Patent**
Agüeria Martinez

(10) **Patent No.:** **US D690,386 S**
(45) **Date of Patent:** **** Sep. 24, 2013**

- (54) **FISH HOOK RETAINING BOX**
- (71) Applicant: **Bawer Technology S.L.**, León (ES)
- (72) Inventor: **Luis Agüeria Martinez**, León (ES)
- (73) Assignee: **Bawyer Technology S.L.**, Villarente, León (ES)
- (**) Term: **14 Years**
- (21) Appl. No.: **29/440,644**
- (22) Filed: **Dec. 24, 2012**

4,468,882 A *	9/1984	Marusak	43/57.1
D498,925 S *	11/2004	Chen	D3/294
D513,873 S *	1/2006	Bochno et al.	D3/294
7,069,687 B2 *	7/2006	Jang	43/57.1
7,159,356 B2 *	1/2007	Westcott	43/25.2
7,748,158 B2 *	7/2010	Wieringa et al.	43/57.1

* cited by examiner

Primary Examiner — Catheri Oliver-Garcia

(74) *Attorney, Agent, or Firm* — McGlew and Tuttle, P.C.

(30) **Foreign Application Priority Data**

Jun. 25, 2012 (EP) 00206802-0002

(51) **LOC (9) Cl.** **22-05**

(52) **U.S. Cl.**
USPC **D22/134**

(58) **Field of Classification Search**
USPC D22/134, 144, 199; D3/260, 294,
D3/904-905; 43/25.2, 54.1, 57.1, 57.2
See application file for complete search history.

(56) **References Cited**

U.S. PATENT DOCUMENTS

2,713,807 A *	7/1955	Herbert	43/57.1
D219,973 S *	2/1971	Sather	D22/134
4,452,003 A *	6/1984	Deutsch et al.	43/25.2

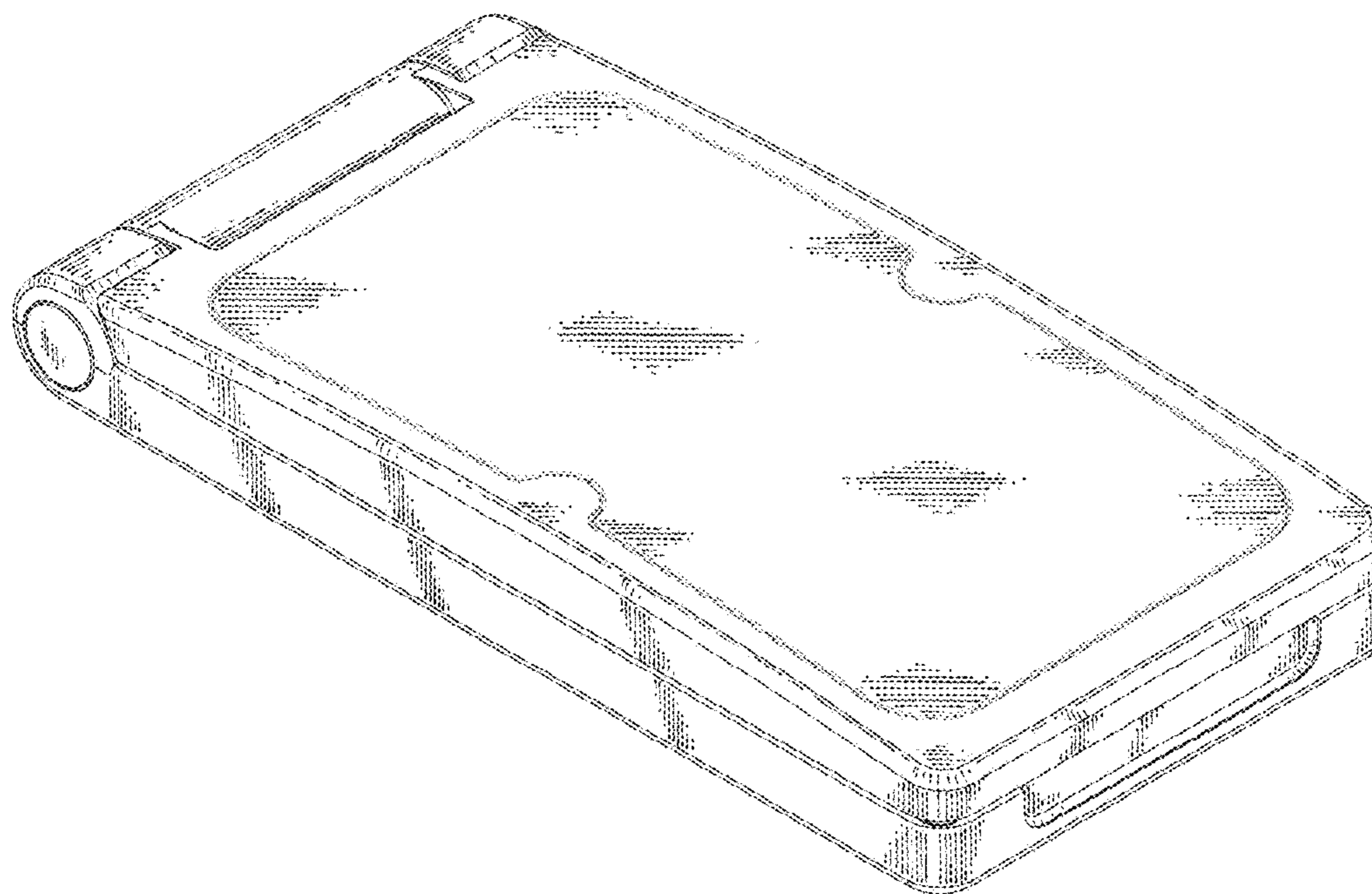
(57) **CLAIM**

The ornamental design for a fish hook retaining box, as shown and described.

DESCRIPTION

FIG. 1 shows a top perspective view of my design for a fish hook retaining box, shown in a closed position;
 FIG. 2 shows a top perspective view thereof, shown in an open position;
 FIG. 3 shows a top perspective view thereof, shown in an open position, with a fish hook retaining pad mounted therein being environment, and being shown in broken line, and not forming a part of the claimed design;
 FIG. 4 shows a front view of the fish hook retaining box in closed position;
 FIG. 5 shows a left side view thereof;
 FIG. 6 shows a plan view thereof; and,
 FIG. 7 shows a plan view thereof, shown in an open position.

1 Claim, 7 Drawing Sheets



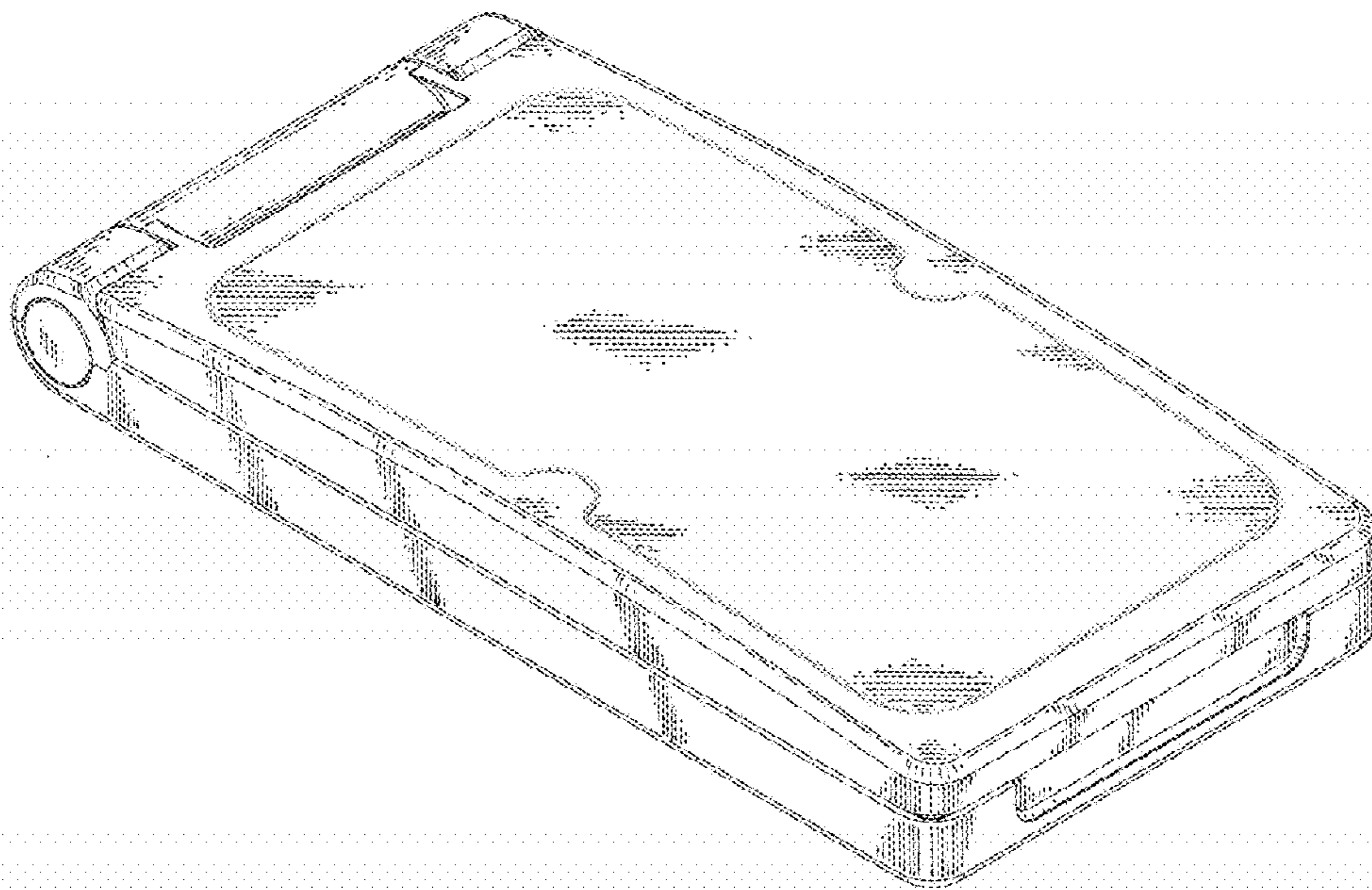


Fig. 1

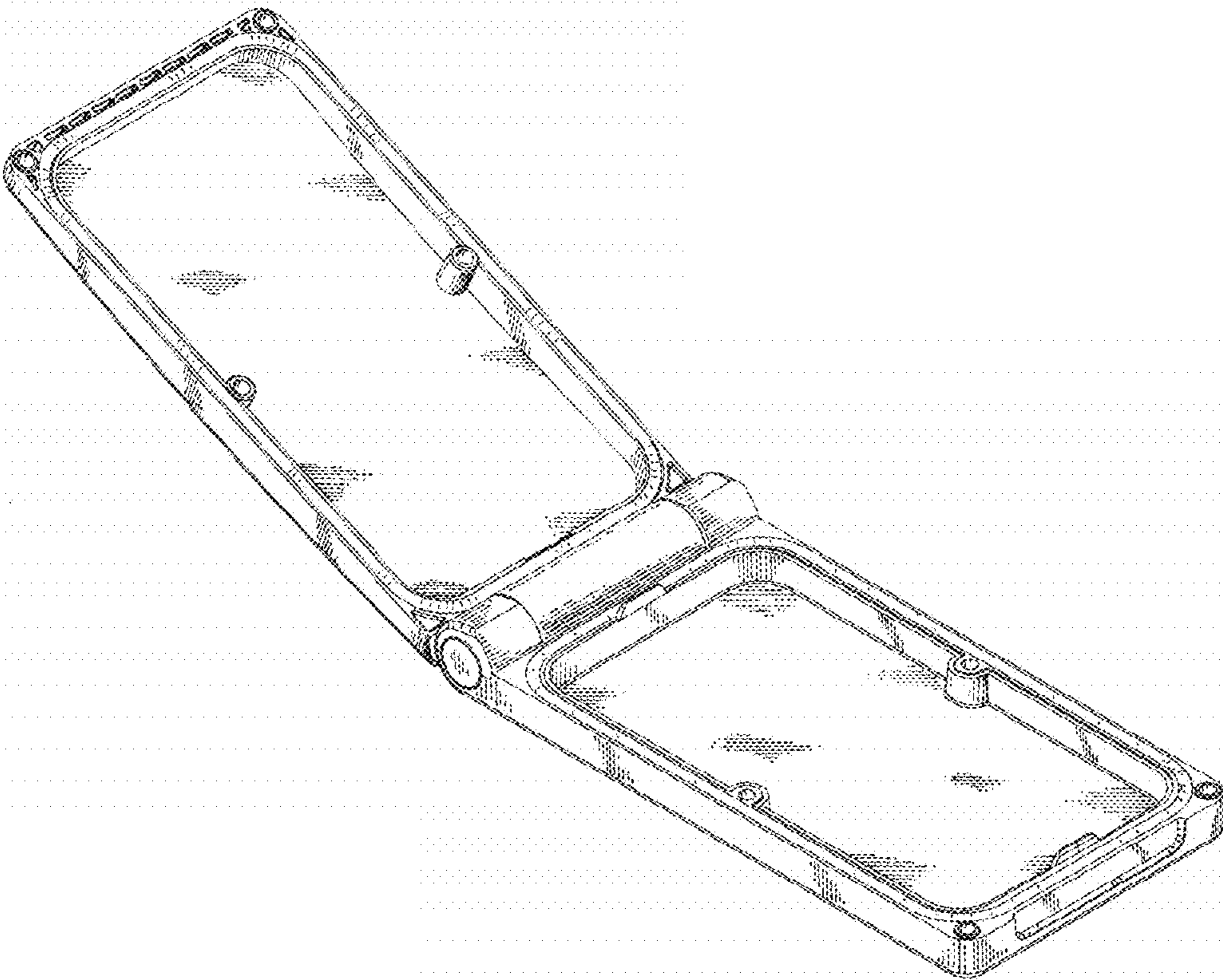


Fig. 2

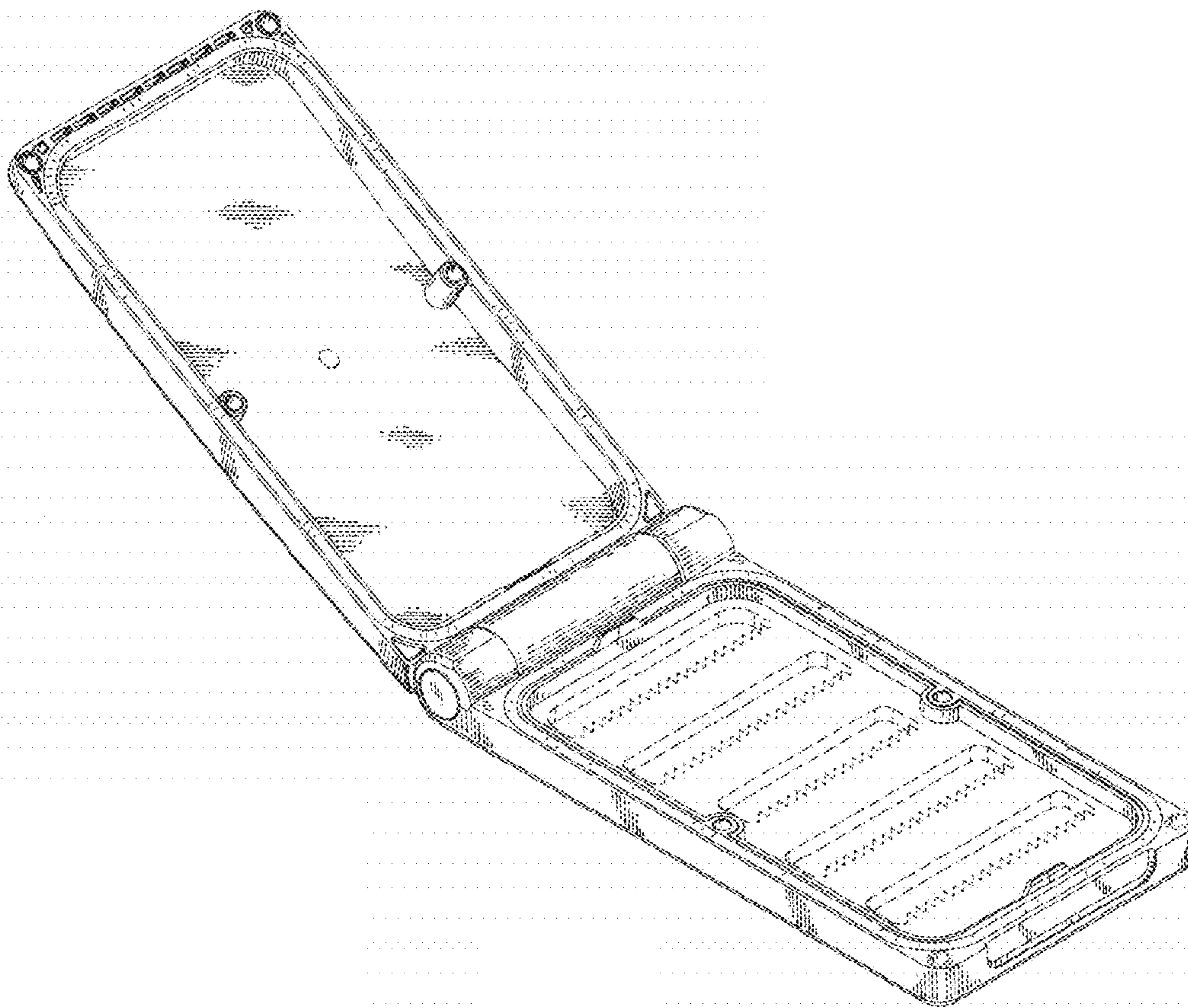


Fig. 3

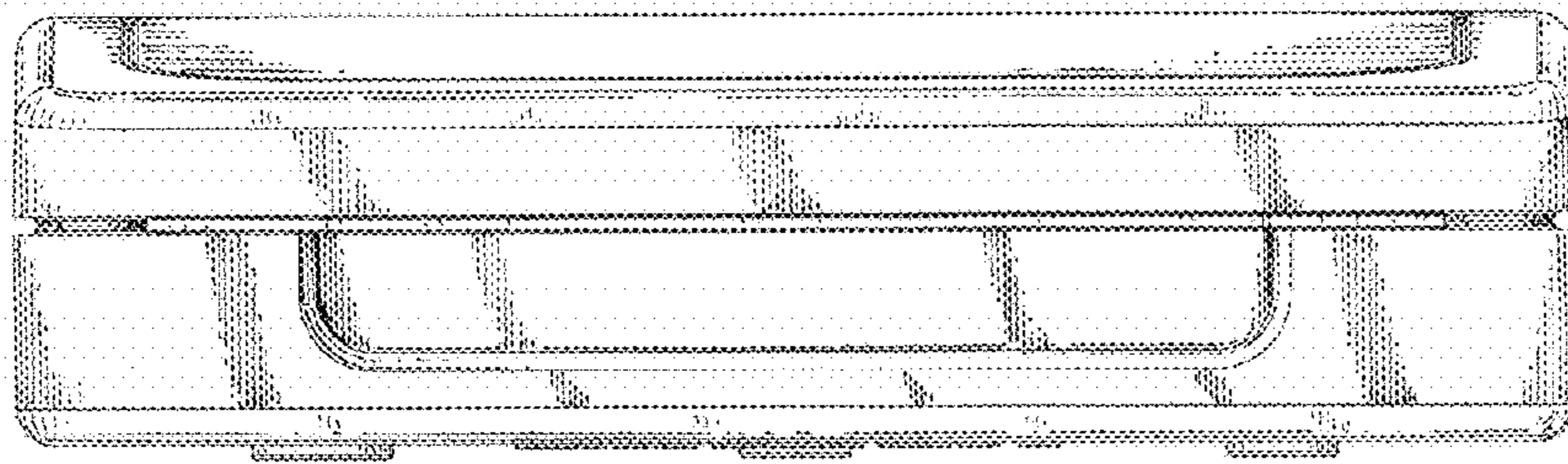


Fig. 4

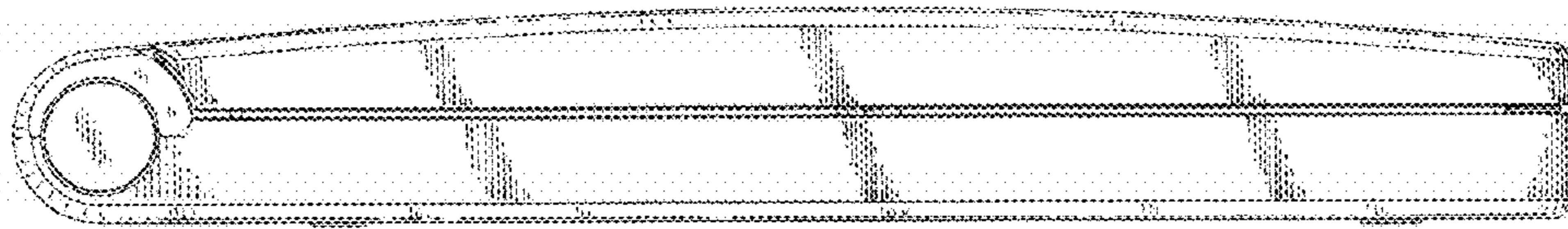


Fig. 5

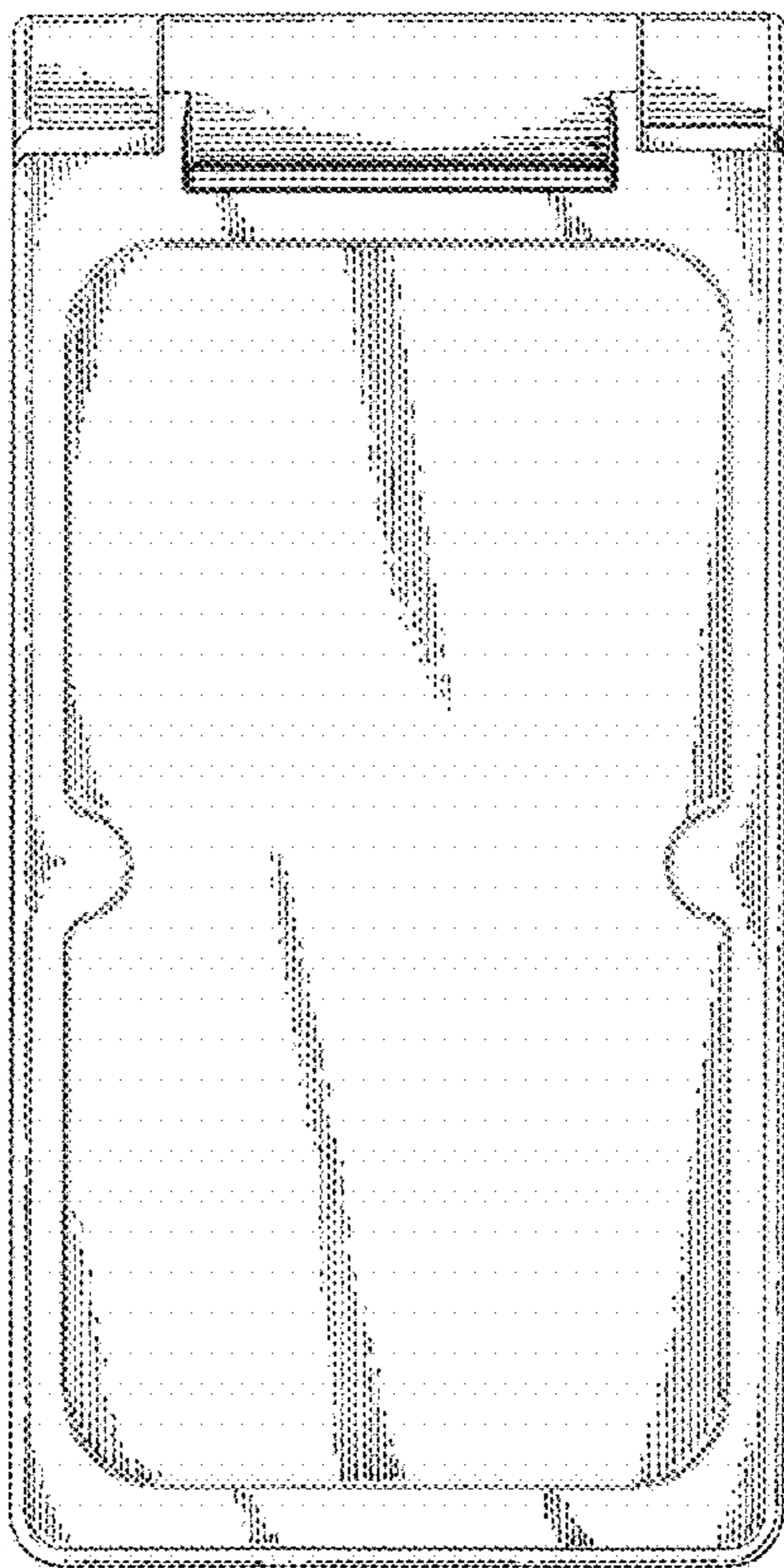


Fig. 6

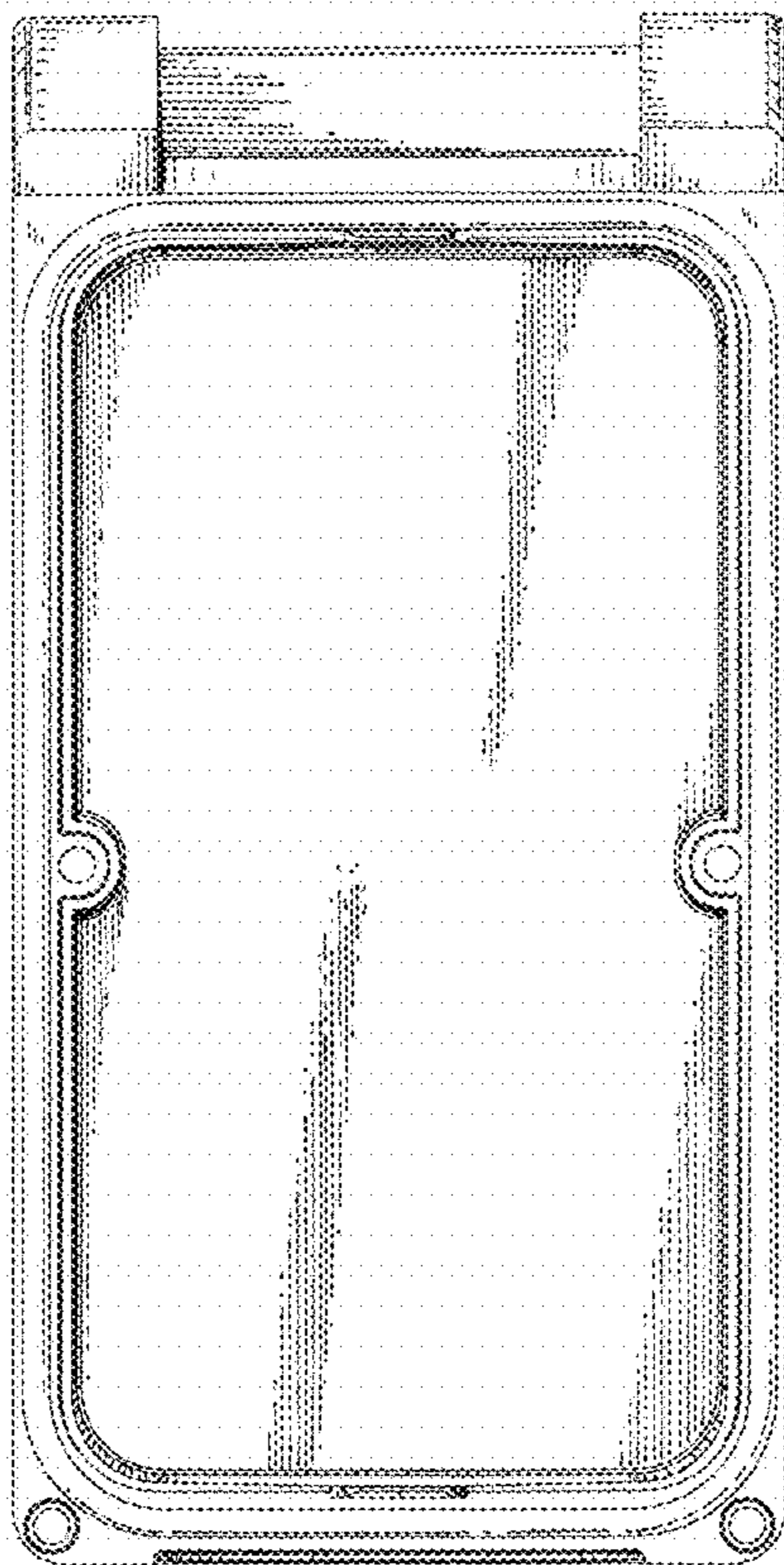


Fig. 7

UNITED STATES PATENT AND TRADEMARK OFFICE
CERTIFICATE OF CORRECTION

PATENT NO. : D690,386 S
APPLICATION NO. : 29/440644
DATED : September 24, 2013
INVENTOR(S) : Martinez

Page 1 of 1

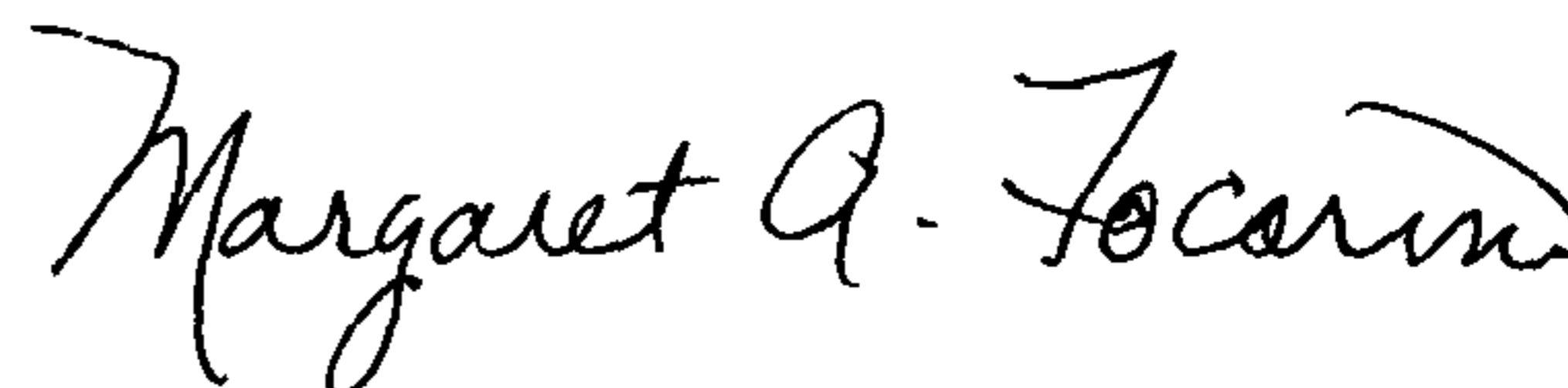
It is certified that error appears in the above-identified patent and that said Letters Patent is hereby corrected as shown below:

On the Title Page

Item (73) Assignee as BAWYER TECHNOLOGY S.L. is incorrect.

Correct Assignee - BAWER TECHNOLOGY S.L.

Signed and Sealed this
Twenty-fourth Day of December, 2013



Margaret A. Focarino
Commissioner for Patents of the United States Patent and Trademark Office