



US00D690384S

(12) **United States Design Patent**  
**Davis, Jr.**

(10) **Patent No.:** **US D690,384 S**  
(45) **Date of Patent:** **\*\* Sep. 24, 2013**

- (54) **INSECT TRAP**
- (76) Inventor: **Clifford Warren Davis, Jr.**, Prattville, AL (US)
- (\*\*) Term: **14 Years**
- (21) Appl. No.: **29/430,692**
- (22) Filed: **Aug. 29, 2012**
- (51) **LOC (9) Cl.** ..... **22-06**
- (52) **U.S. Cl.**  
USPC ..... **D22/122**
- (58) **Field of Classification Search**  
USPC ..... D22/119–125; 43/112–114, 121, 43/124, 131, 132.1; D30/110  
See application file for complete search history.

(56) **References Cited**

U.S. PATENT DOCUMENTS

- D370,746 S \* 6/1996 Gordon ..... D30/110
- D478,958 S \* 8/2003 Harris et al. .... D22/122

(Continued)

*Primary Examiner* — Catheri Oliver-Garcia

(74) *Attorney, Agent, or Firm* — Jeremy A. Smith; David E. Mixon; Bradley Arant Boult Cummings LLP

(57) **CLAIM**

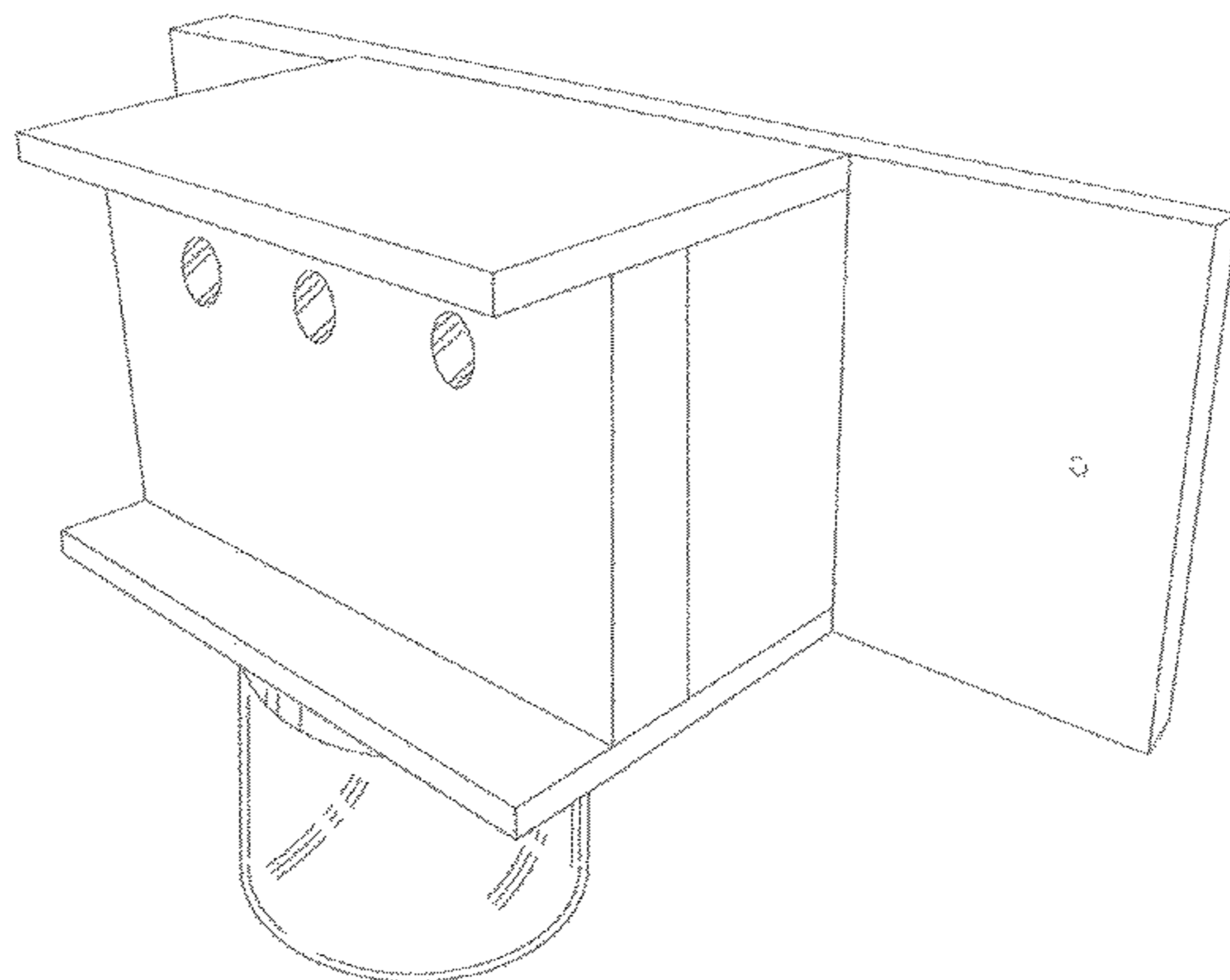
The ornamental design for an insect trap, as shown and described.

**DESCRIPTION**

FIG. 1 shows a perspective view of one embodiment of the insect trap.  
 FIG. 2 shows a front view of the embodiment of the insect trap shown in FIG. 1.  
 FIG. 3 shows a rear view of the embodiment of the insect trap shown in FIG. 1.  
 FIG. 4 shows a side view of the embodiment of the insect trap shown in FIG. 1.  
 FIG. 5 shows a top view of the embodiment of the insect trap shown in FIG. 1.

FIG. 6 shows a bottom view of the embodiment of the insect trap shown in FIG. 1.  
 FIG. 7 shows a perspective view of one embodiment of the insect trap.  
 FIG. 8 shows a front view of the embodiment of the insect trap shown in FIG. 7.  
 FIG. 9 shows a rear view of the embodiment of the insect trap shown in FIG. 7.  
 FIG. 10 shows a side view of the embodiment of the insect trap shown in FIG. 7.  
 FIG. 11 shows a top view of the embodiment of the insect trap shown in FIG. 7.  
 FIG. 12 shows a bottom view of the embodiment of the insect trap shown in FIG. 7.  
 FIG. 13 shows a perspective view of one embodiment of the insect trap.  
 FIG. 14 shows an alternate perspective view of the embodiment of the insect trap shown in FIG. 13.  
 FIG. 15 shows a front view of the embodiment of the insect trap shown in FIG. 13.  
 FIG. 16 shows a rear view of the embodiment of the insect trap shown in FIG. 13.  
 FIG. 17 shows a top view of the embodiment of the insect trap shown in FIG. 13.  
 FIG. 18 shows a bottom view of the embodiment of the insect trap shown in FIG. 13.  
 FIG. 19 shows a side view of the embodiment of the insect trap shown in FIG. 13.  
 FIG. 20 shows a perspective view of one embodiment of the insect trap.  
 FIG. 21 shows an alternate perspective view of the embodiment of the insect trap shown in FIG. 20.  
 FIG. 22 shows a front view of the embodiment of the insect trap shown in FIG. 20.  
 FIG. 23 shows a rear view of the embodiment of the insect trap shown in FIG. 20.  
 FIG. 24 shows a top view of the embodiment of the insect trap shown in FIG. 20.  
 FIG. 25 shows a bottom view of the embodiment of the insect trap shown in FIG. 20; and,  
 FIG. 26 shows a side view of the embodiment of the insect trap shown in FIG. 20.  
 The dashed lines shown in the drawings illustrate environmental structure and form no part of the claimed design.

**1 Claim, 18 Drawing Sheets**



(56)

**References Cited**

U.S. PATENT DOCUMENTS

7,082,712 B2 \* 8/2006 Harris et al. .... 43/122  
D532,479 S \* 11/2006 Child ..... D22/122

D536,413 S \* 2/2007 Duston ..... D22/122  
D634,808 S \* 3/2011 Tsai ..... D22/122  
2010/0269402 A1 10/2010 Blazer et al.

\* cited by examiner

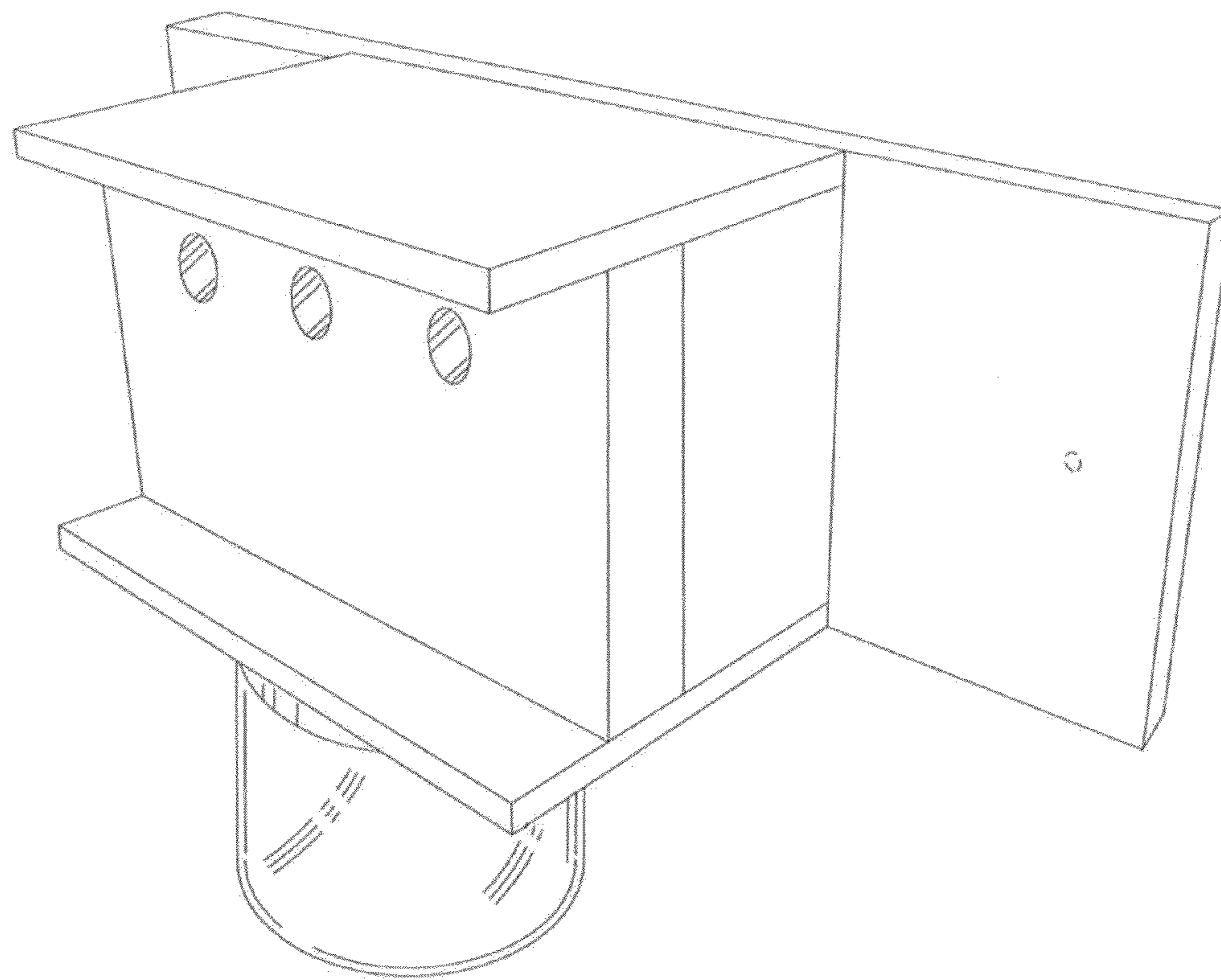


FIG. 1

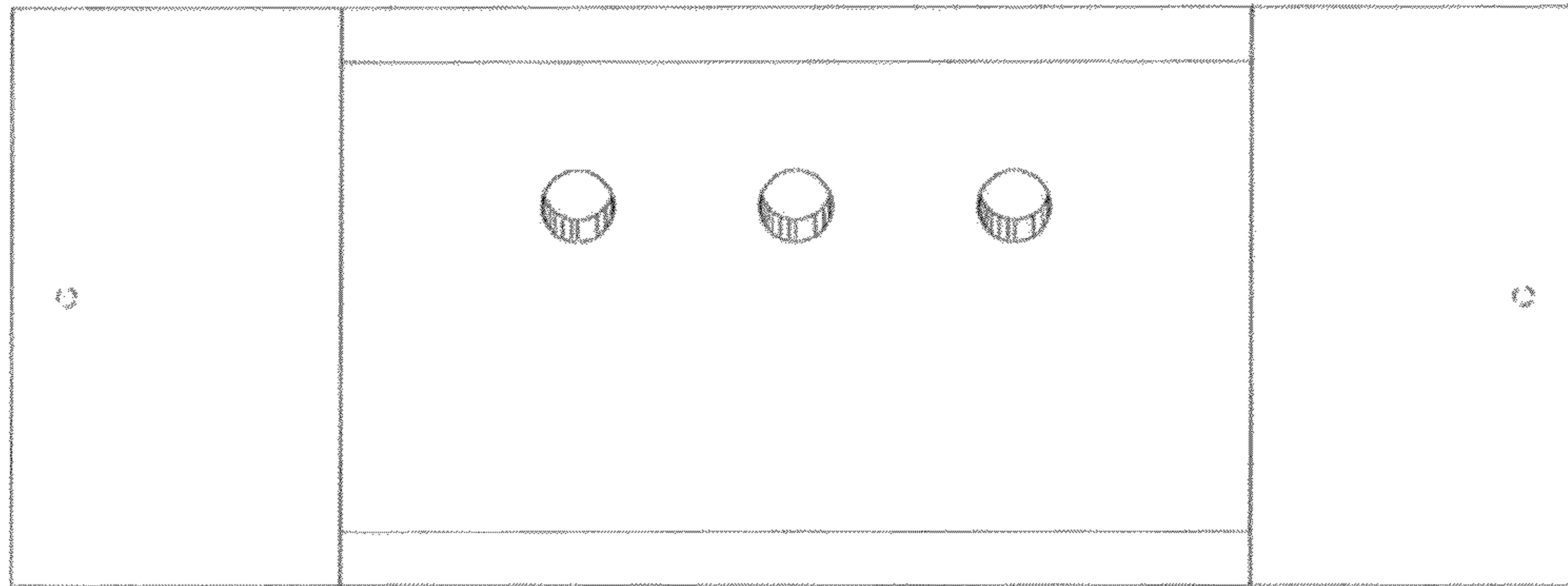


FIG. 2

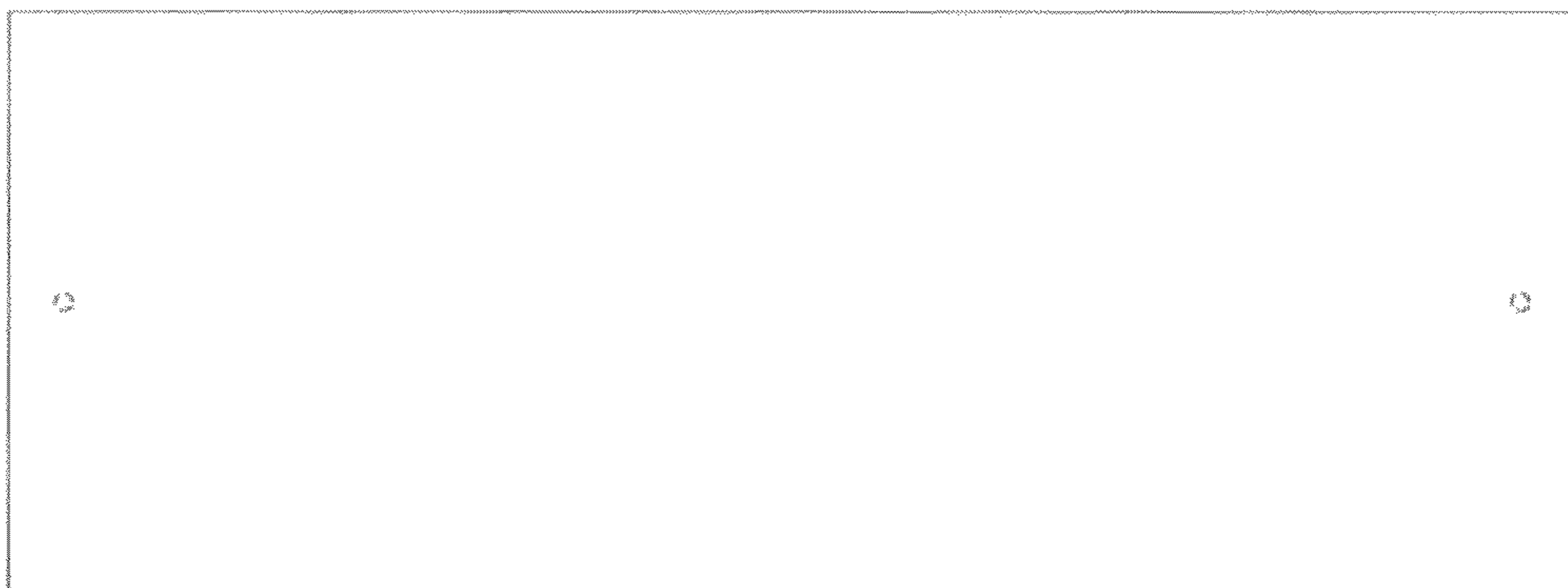
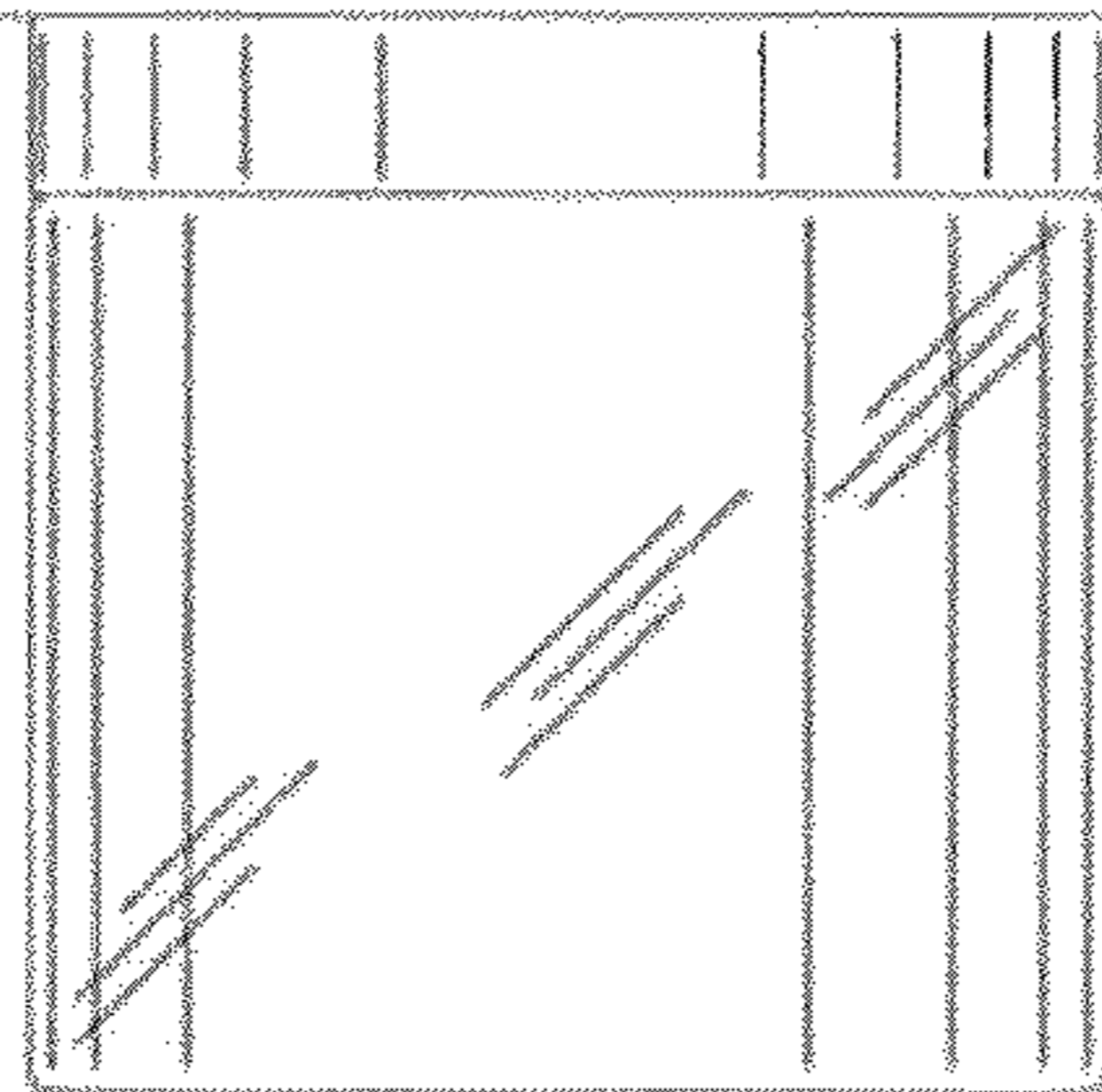
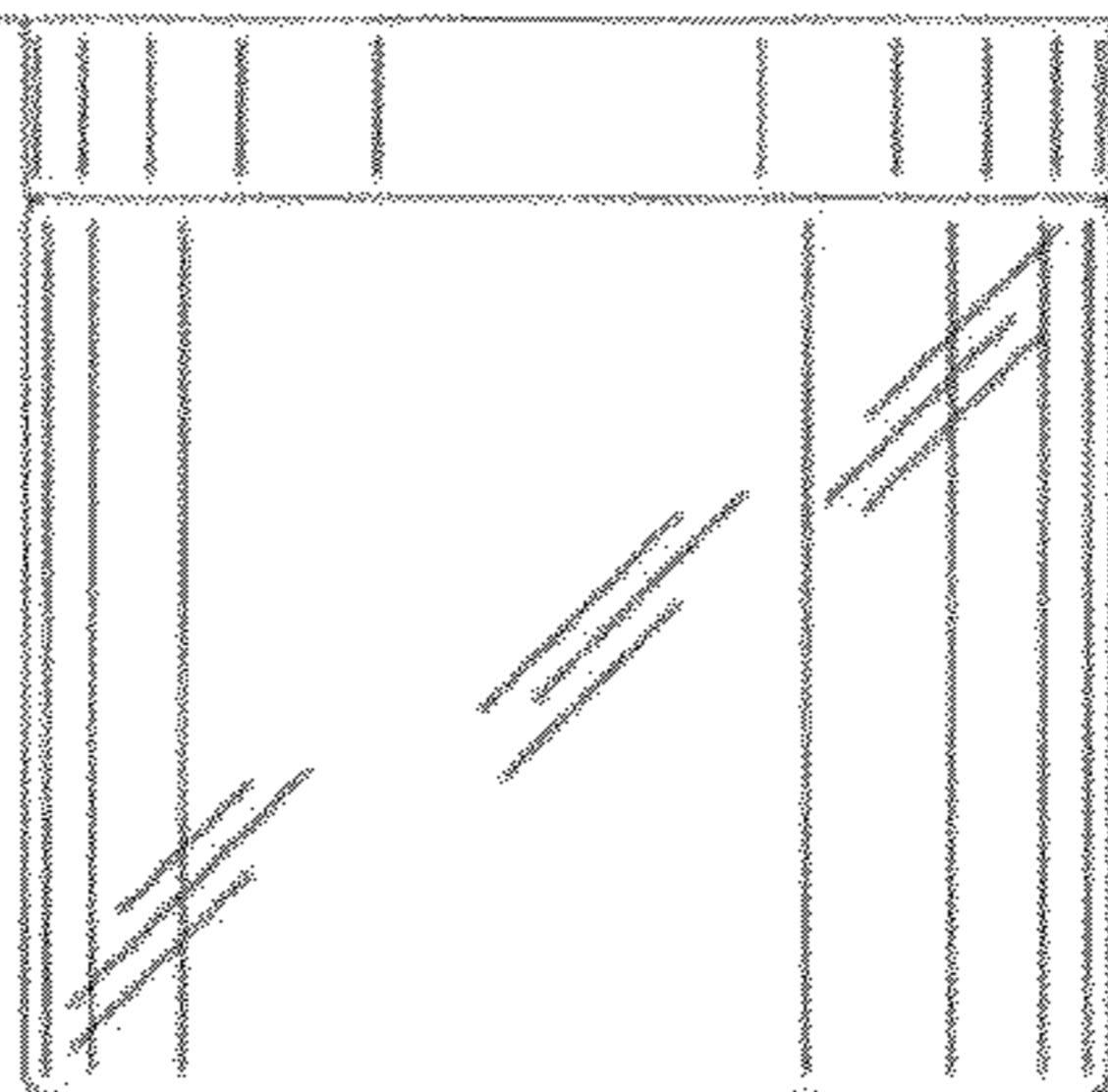


FIG. 3



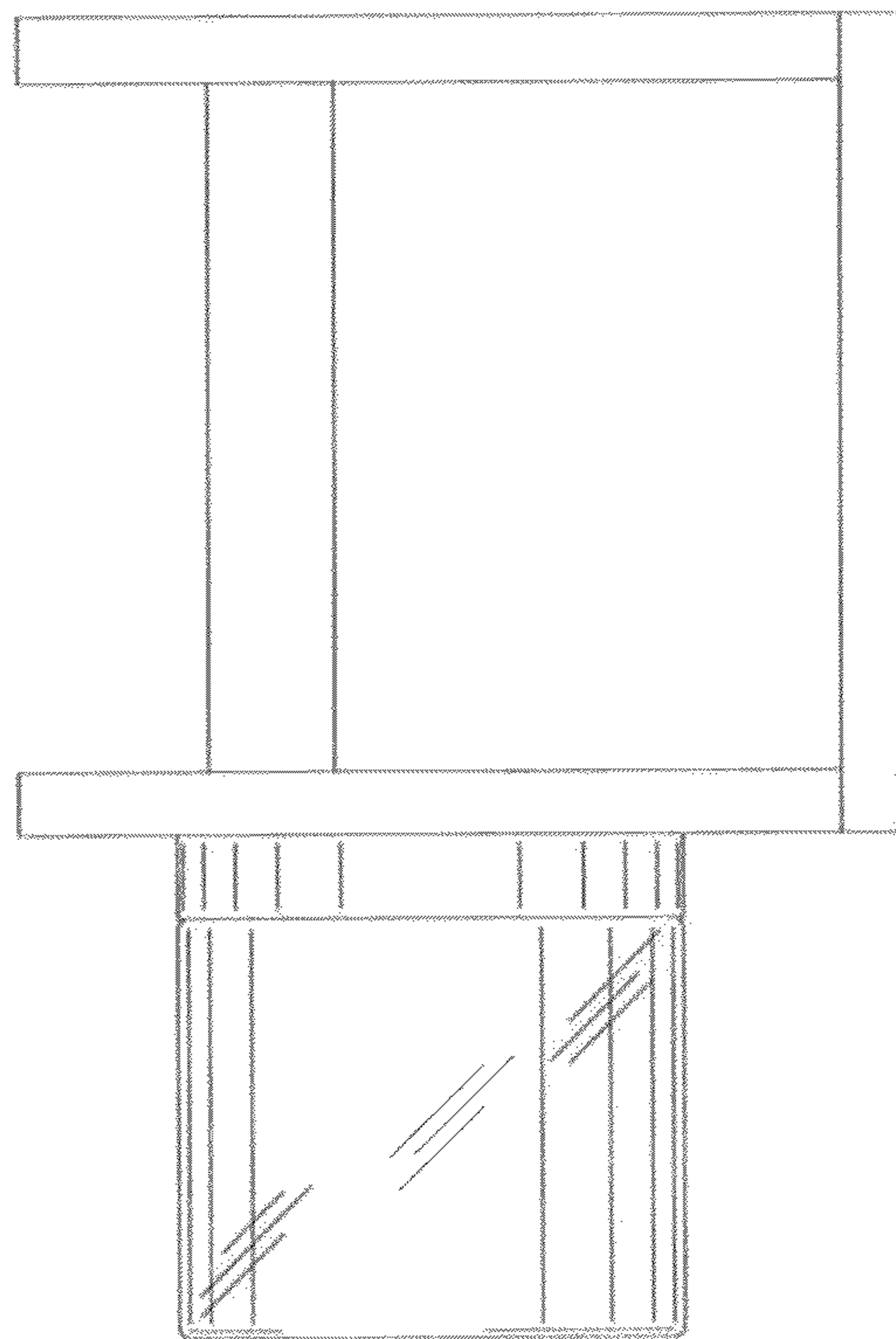


FIG. 4



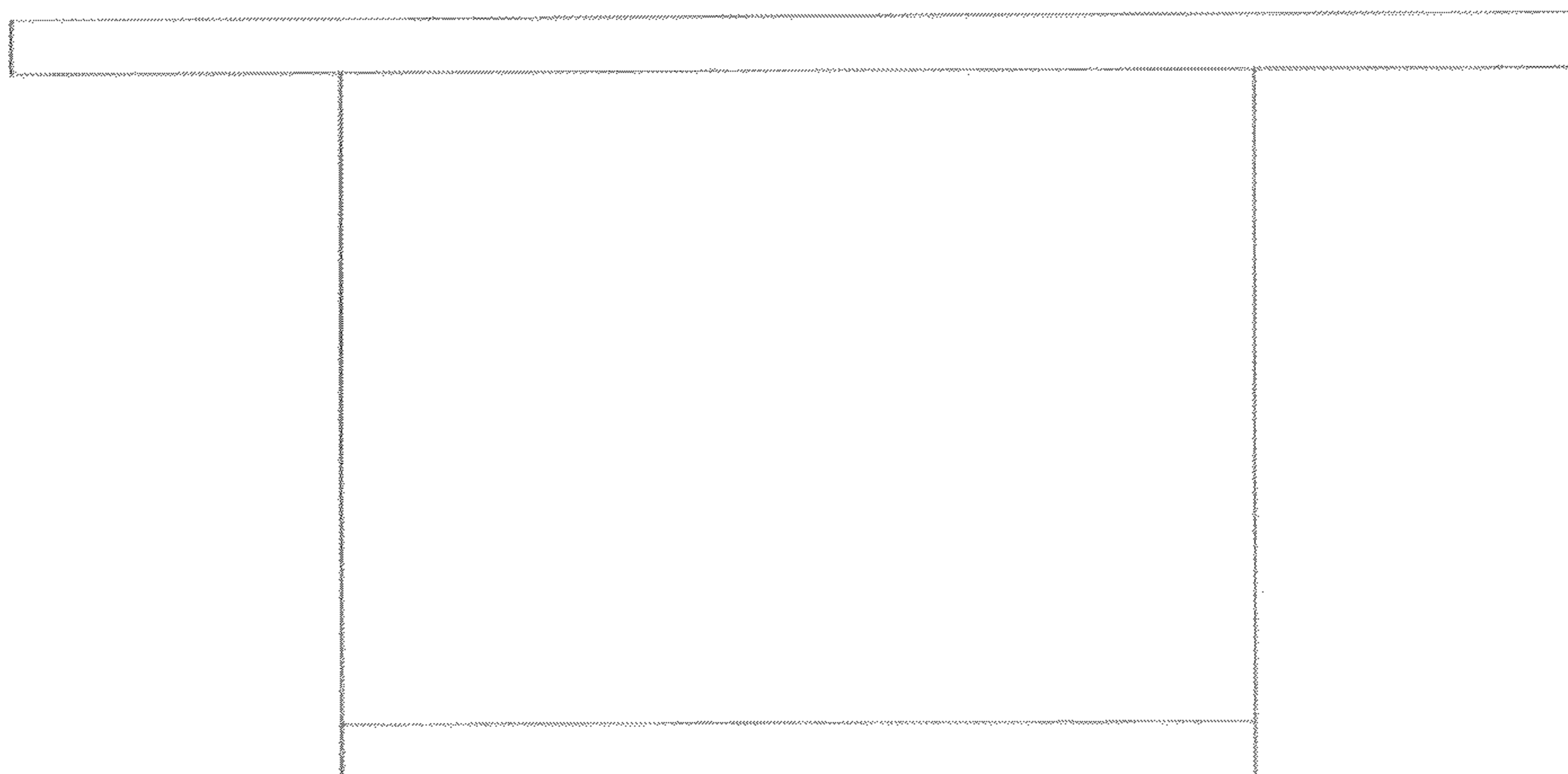


FIG. 5

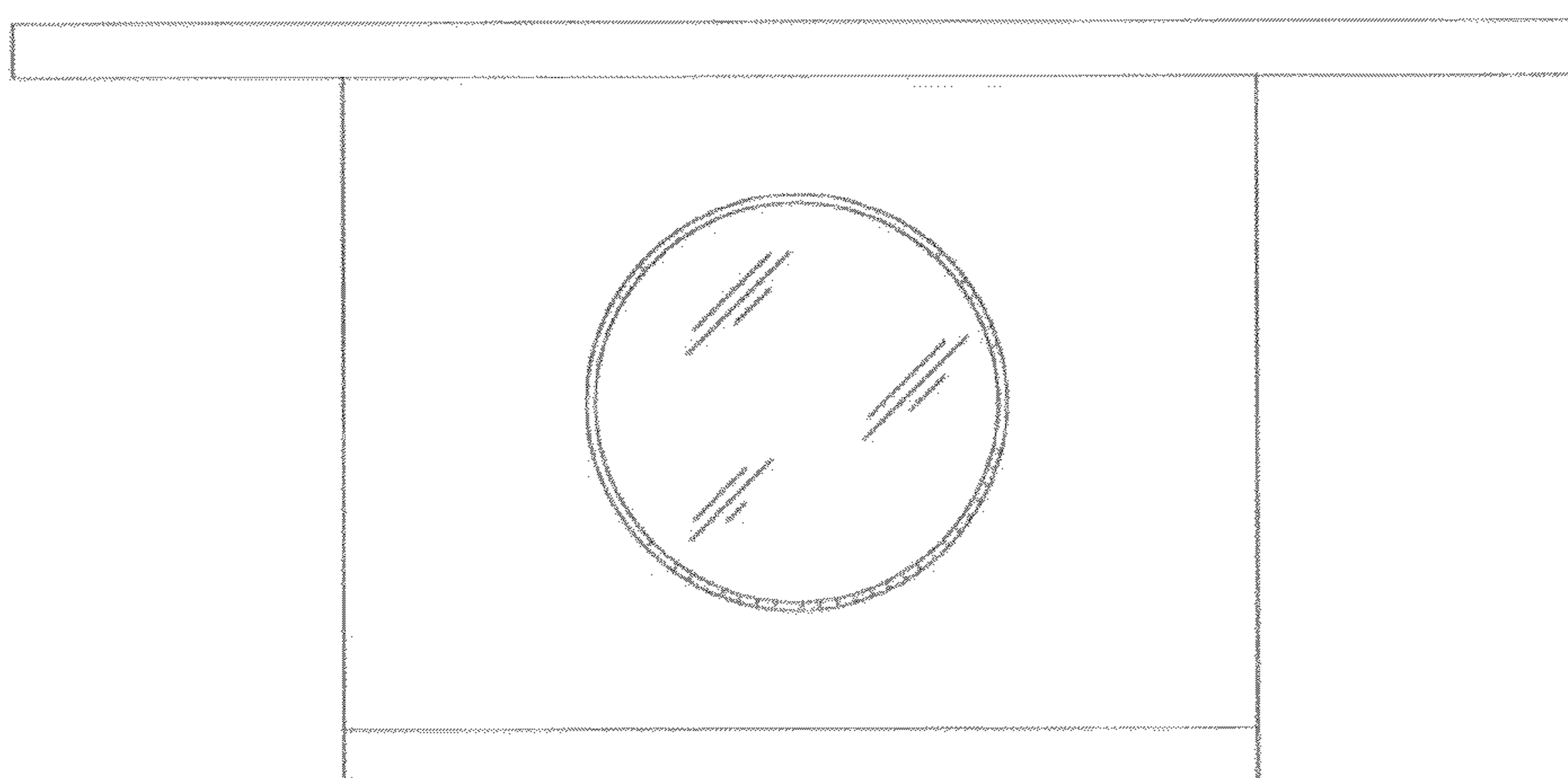


FIG. 6

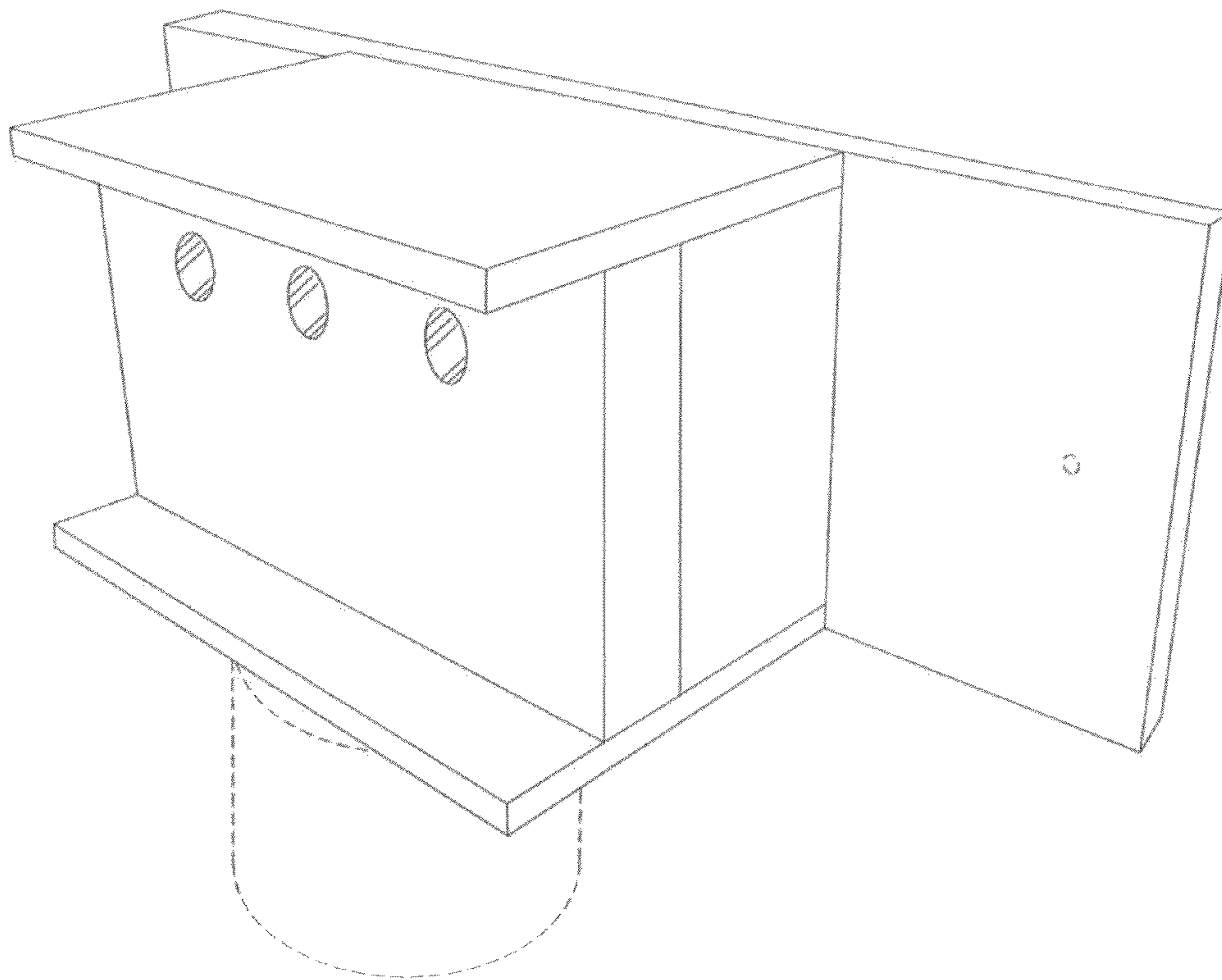


FIG. 7

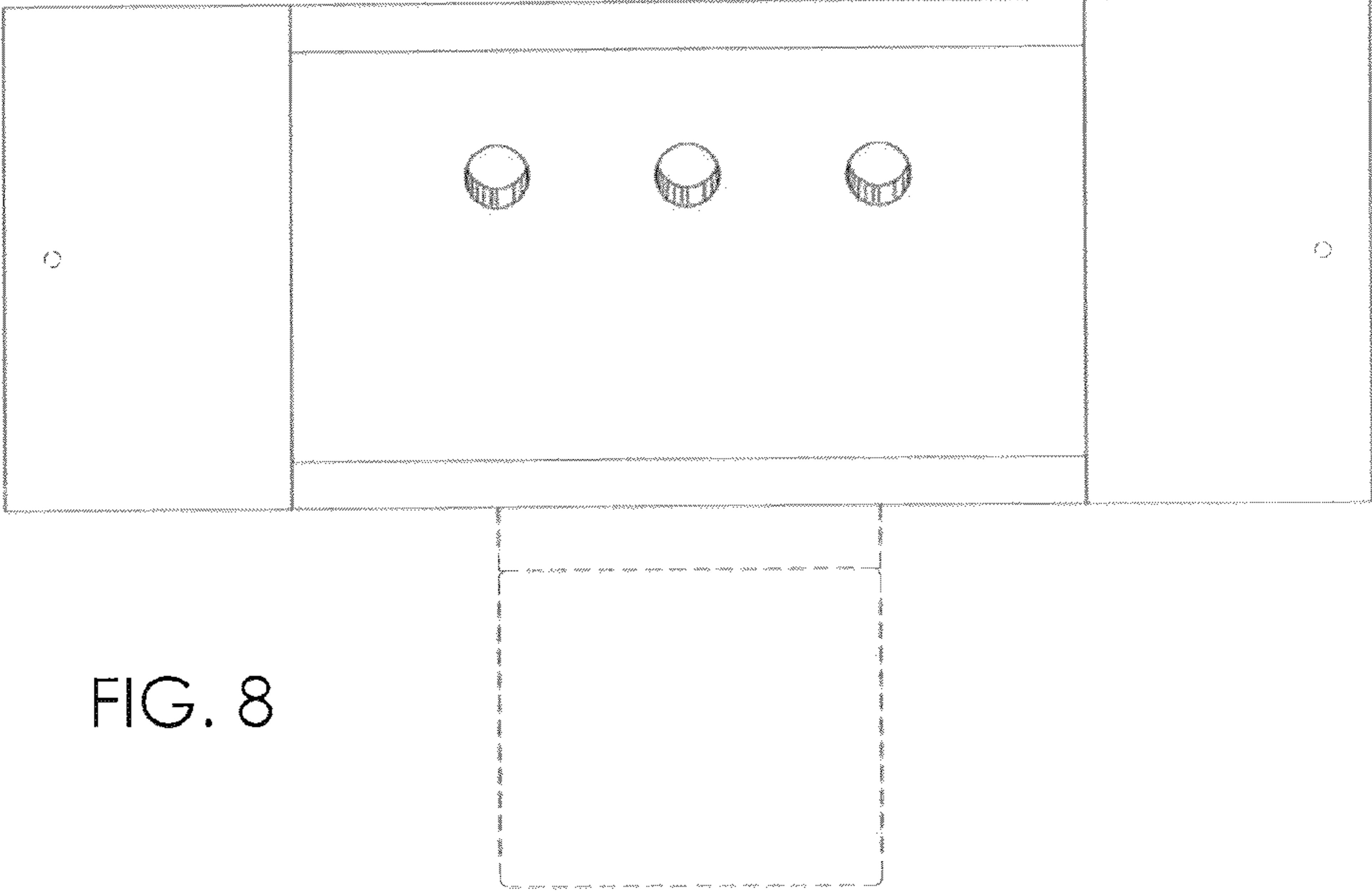


FIG. 8

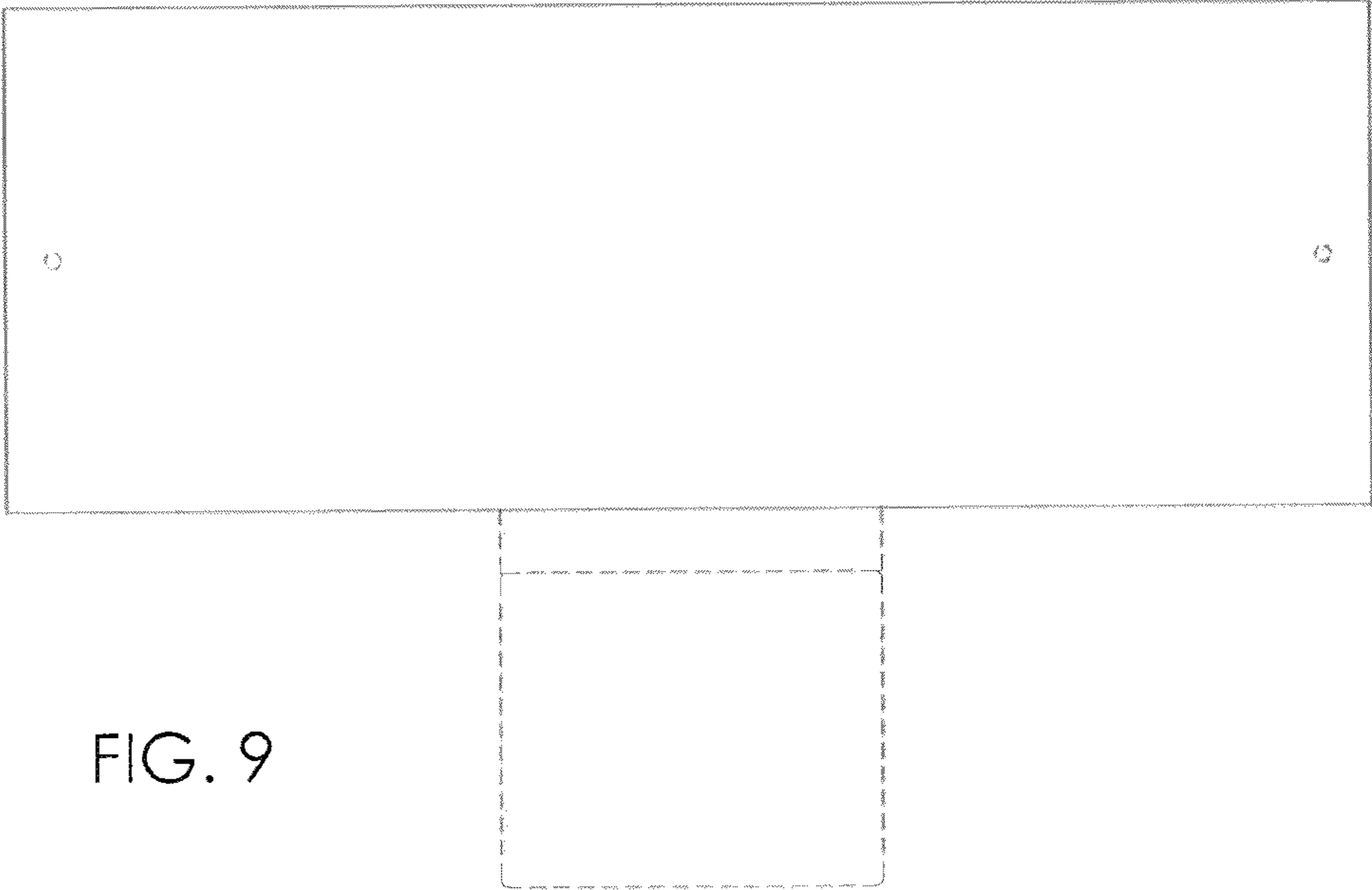


FIG. 9



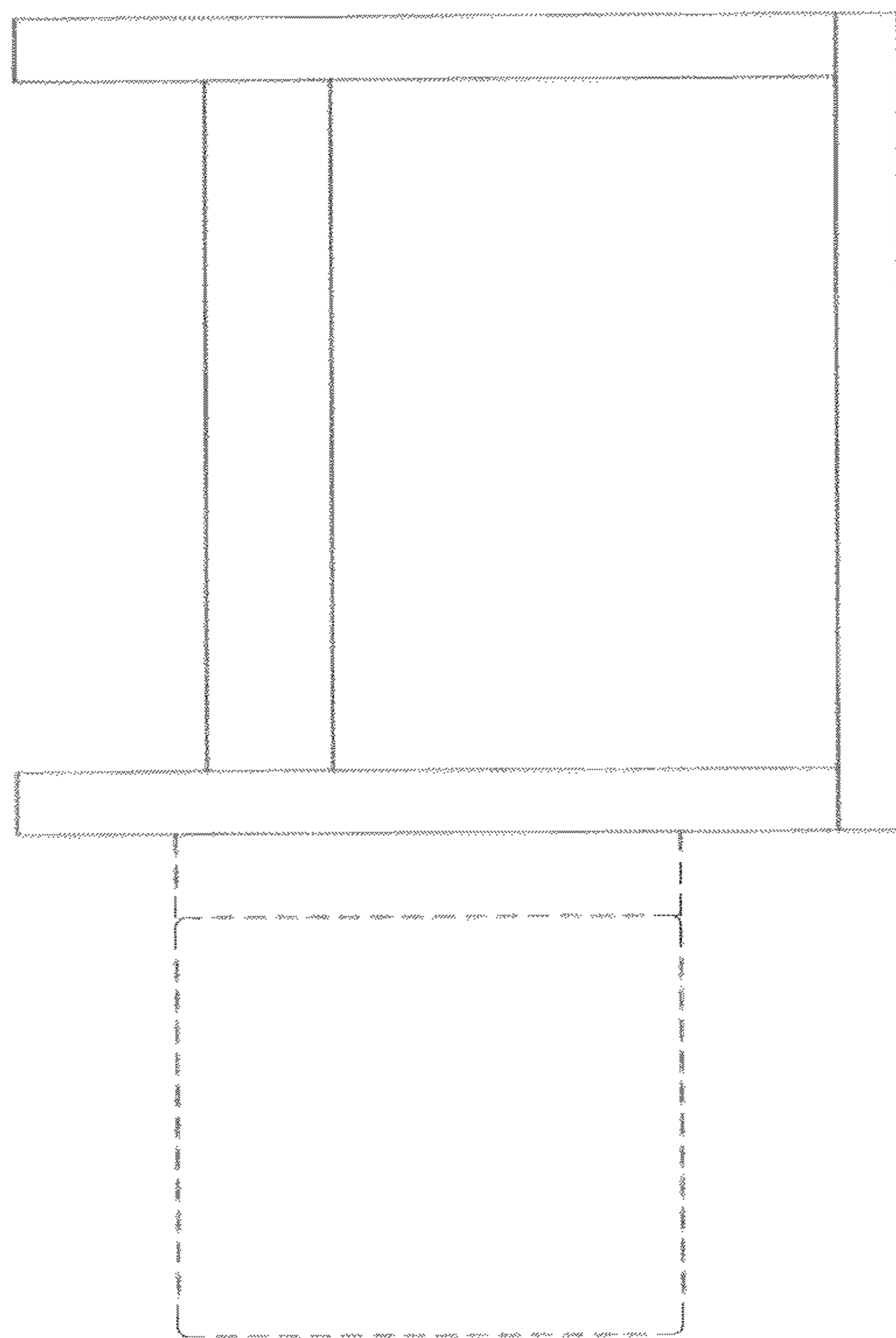


FIG. 10

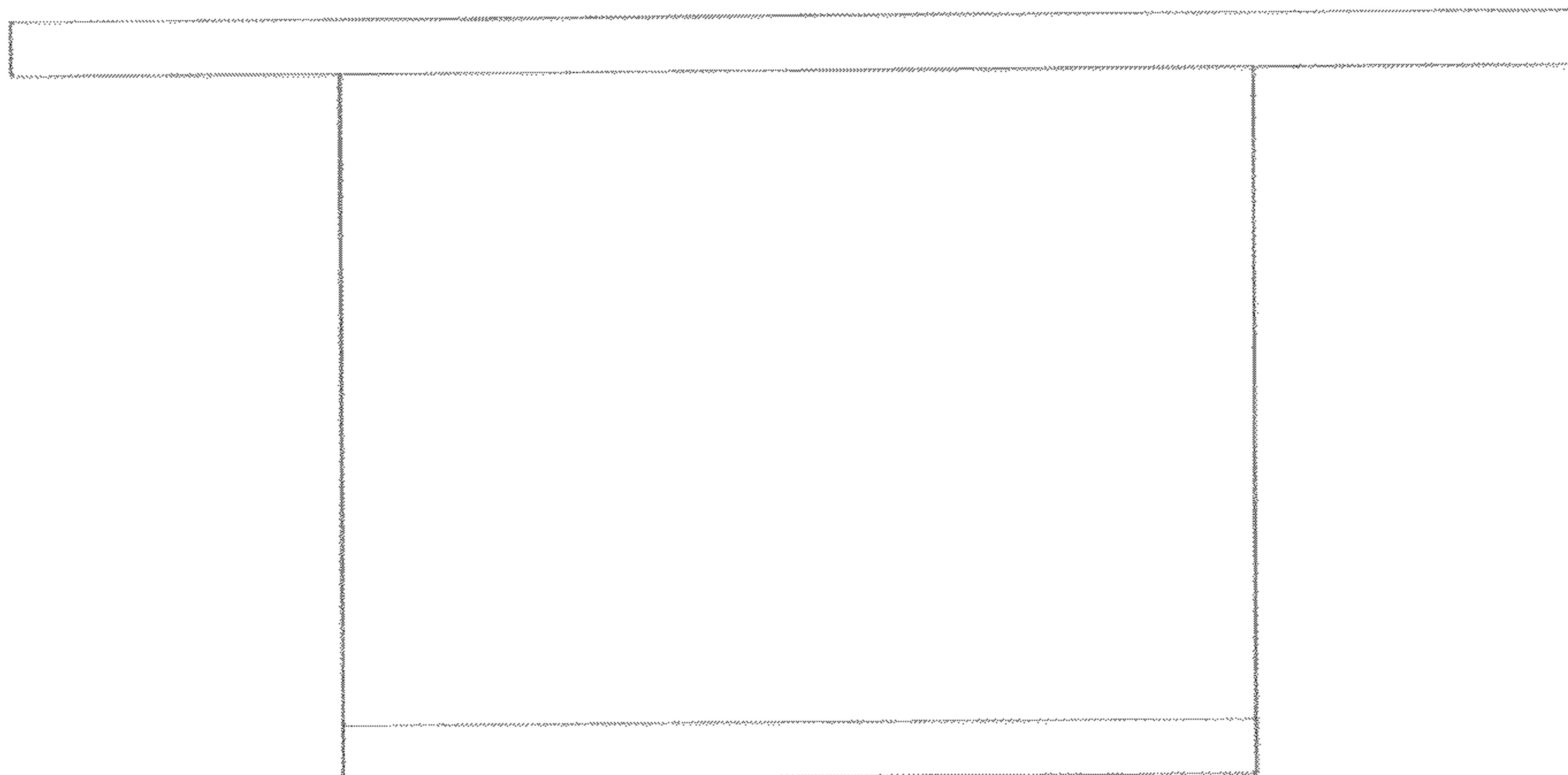


FIG. 11

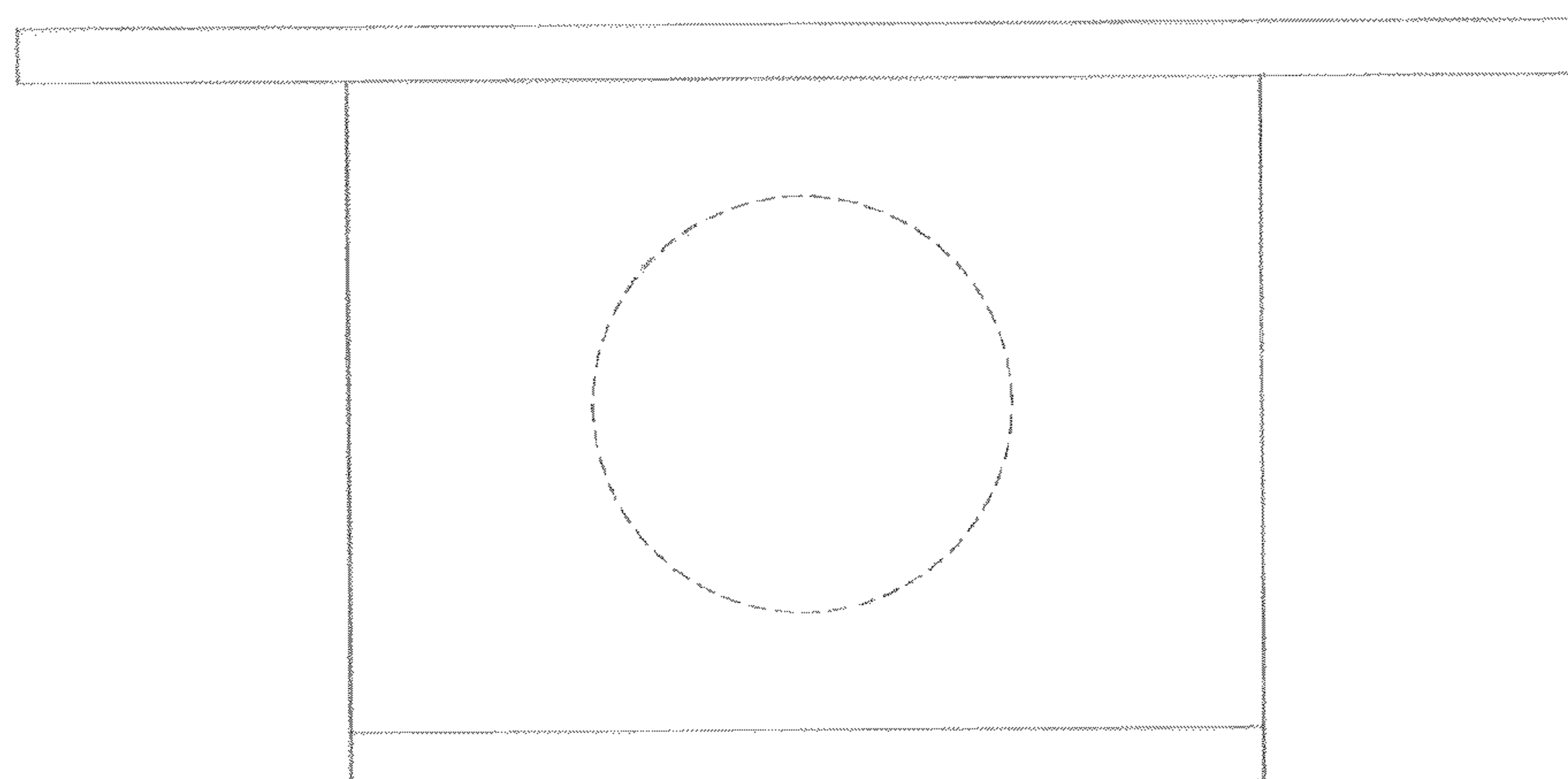


FIG. 12

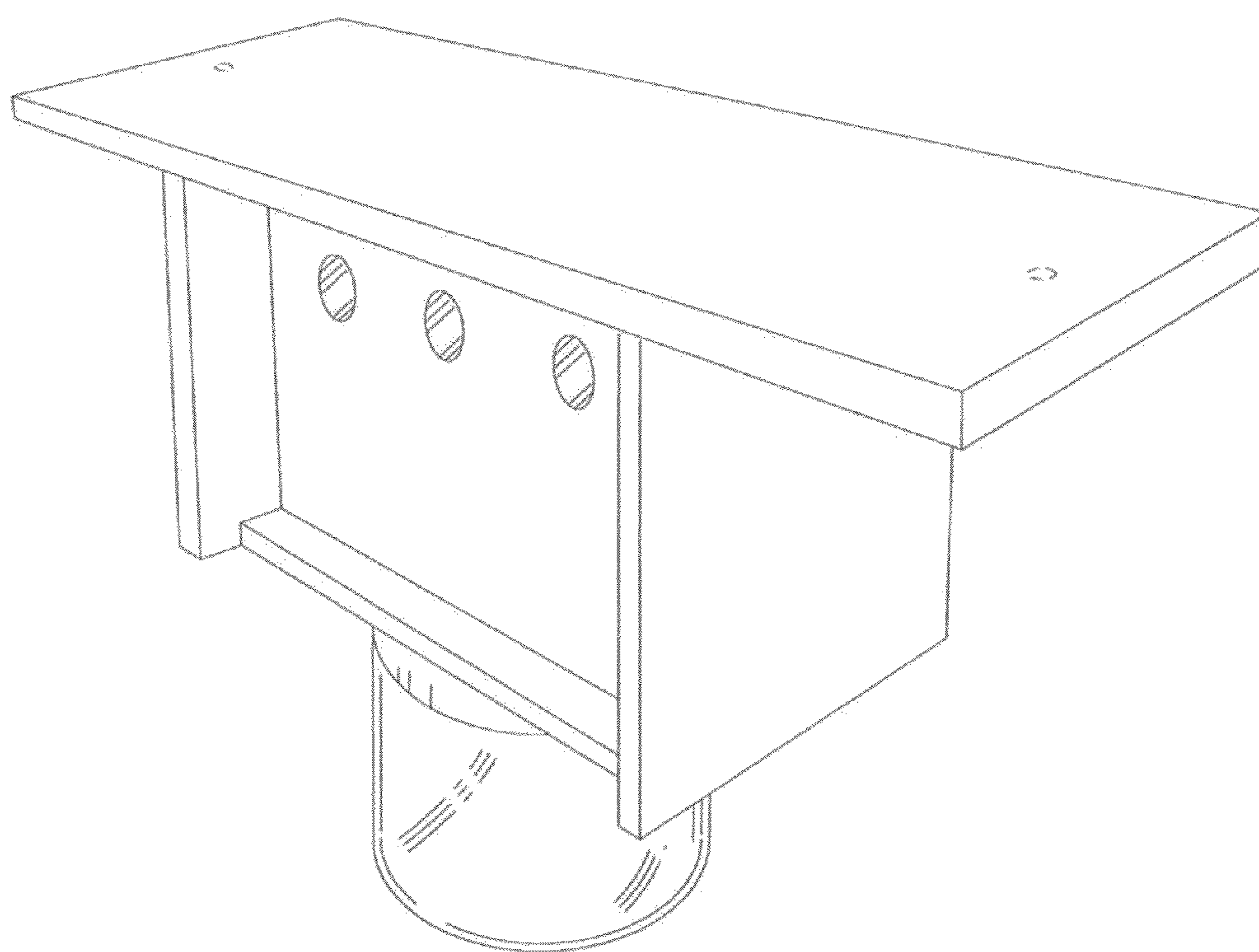


FIG. 13

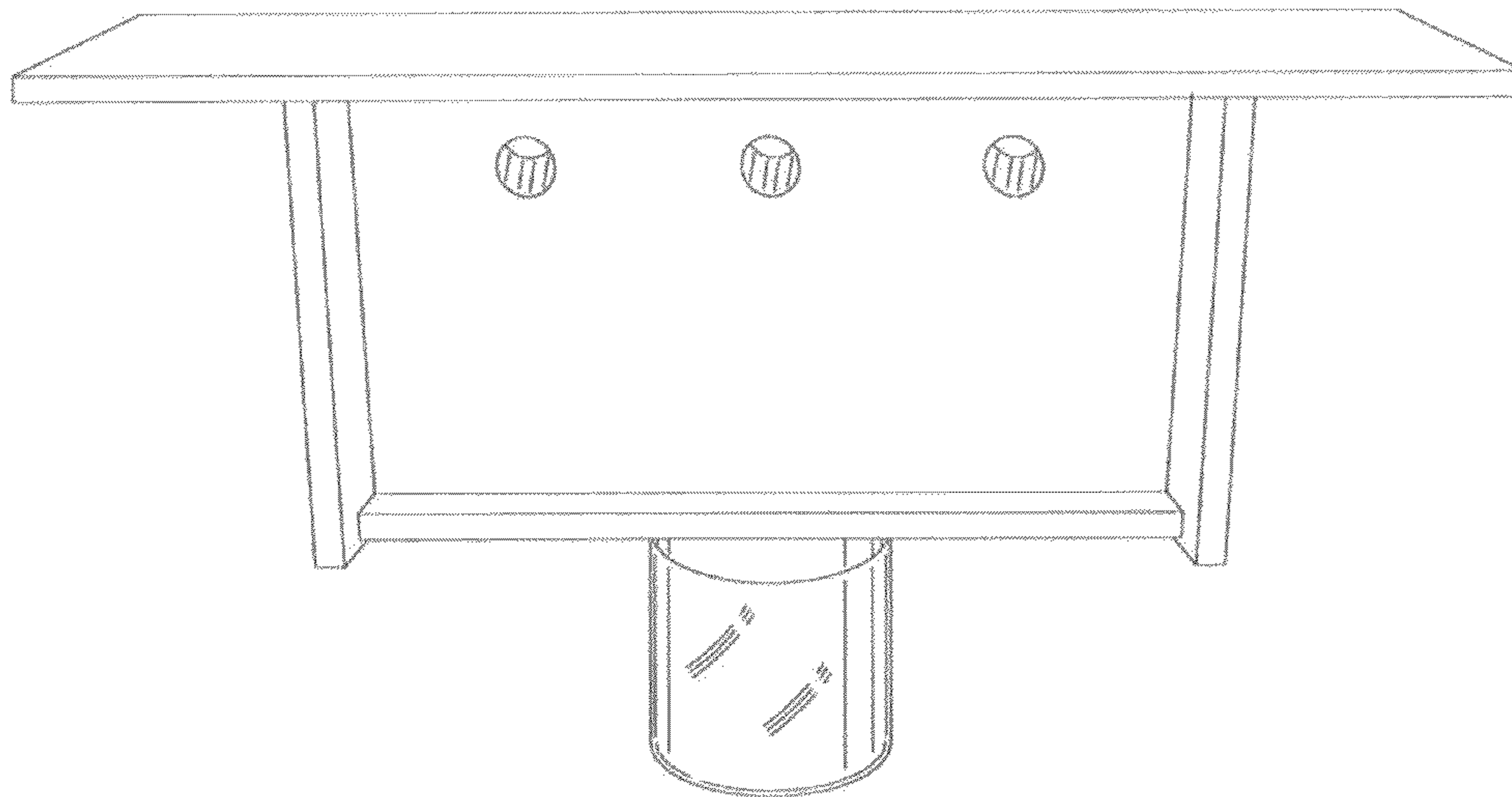


FIG. 14

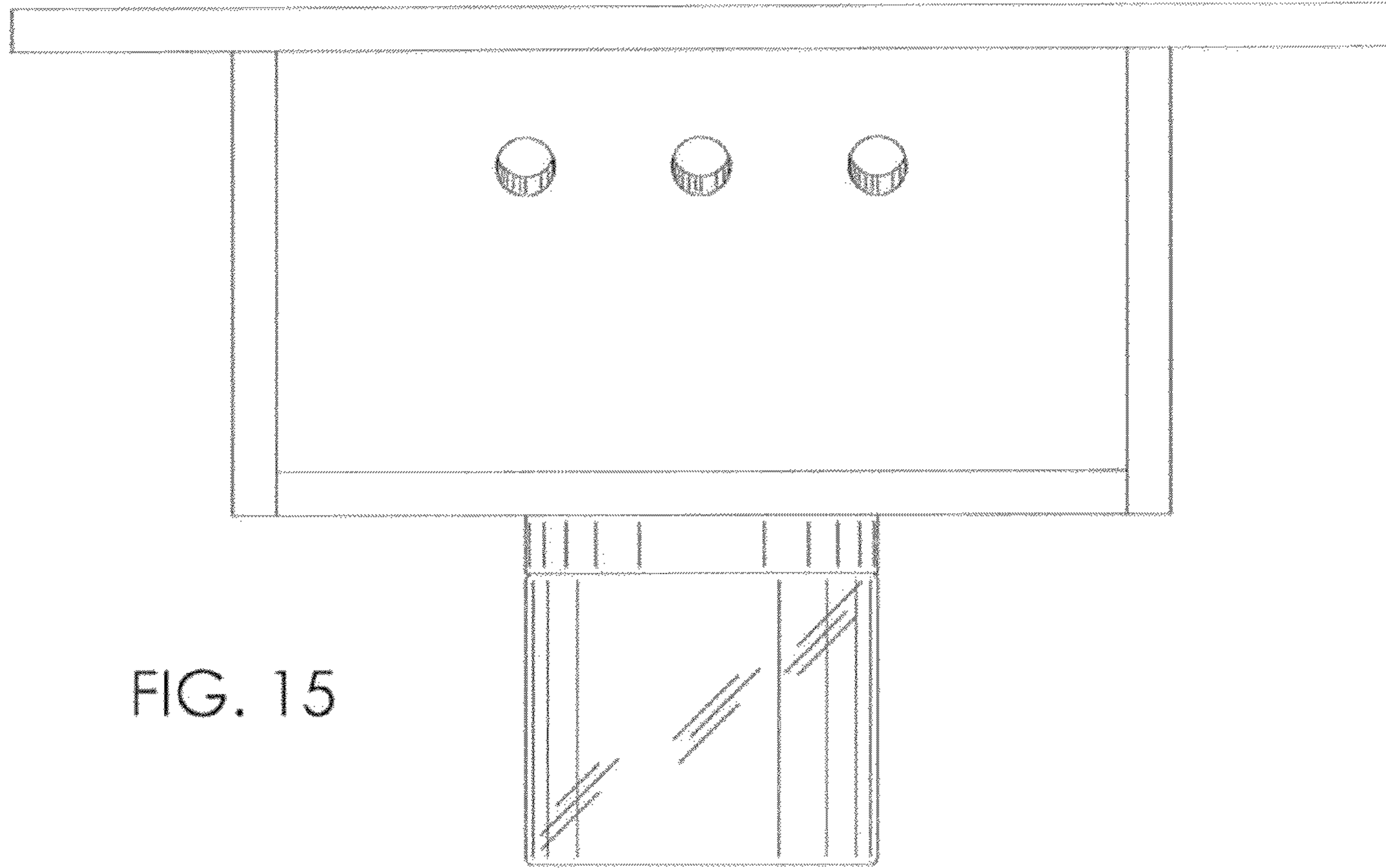


FIG. 15

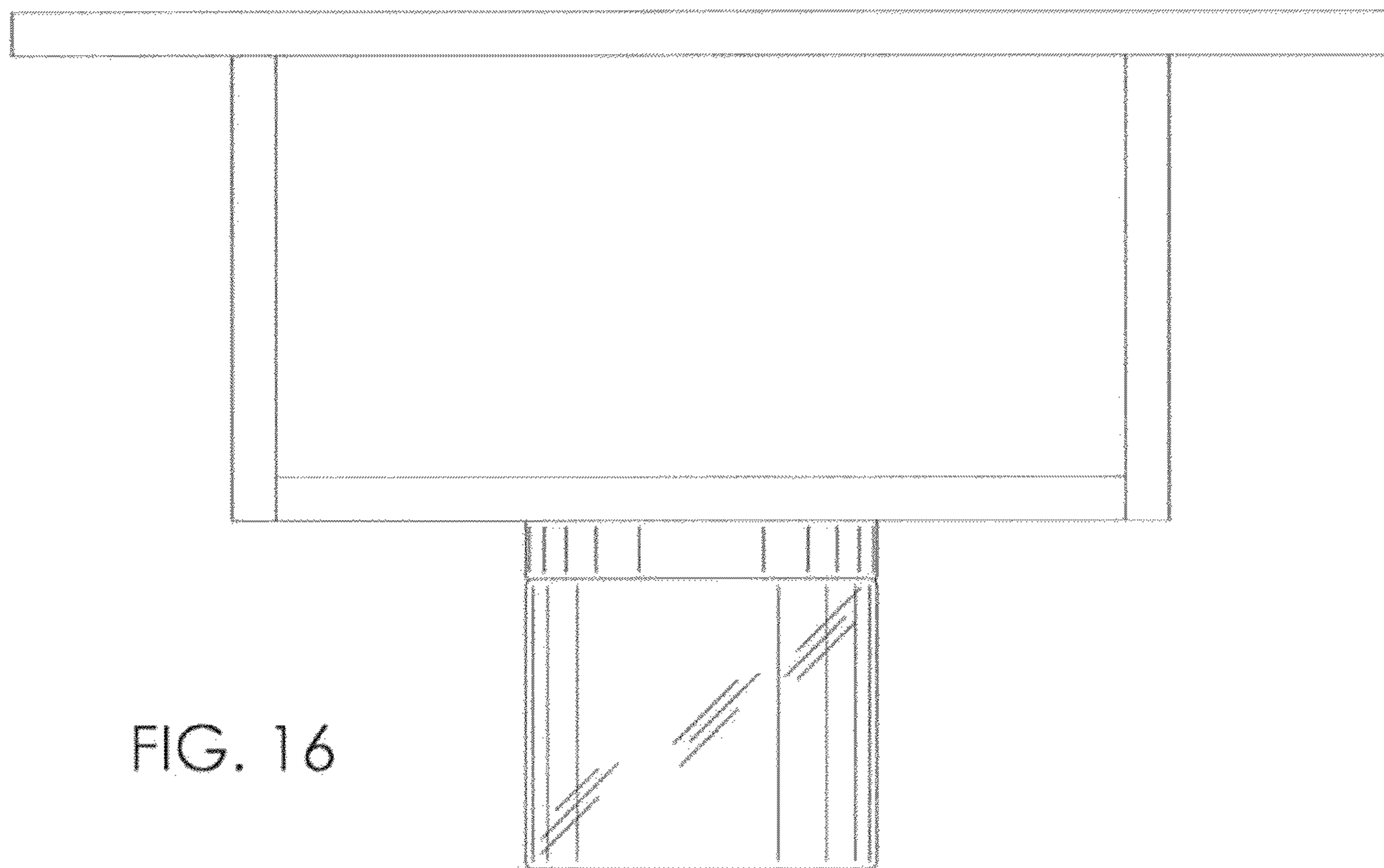


FIG. 16

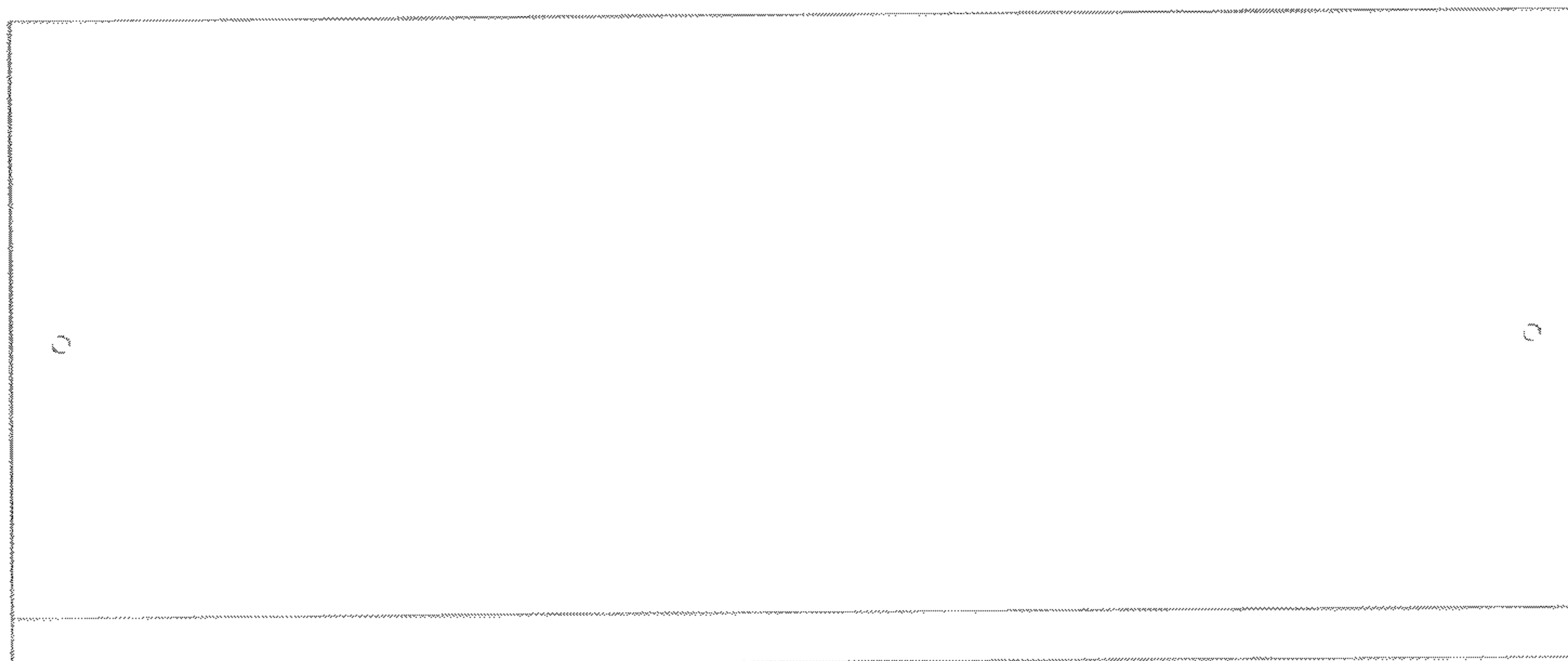


FIG. 17

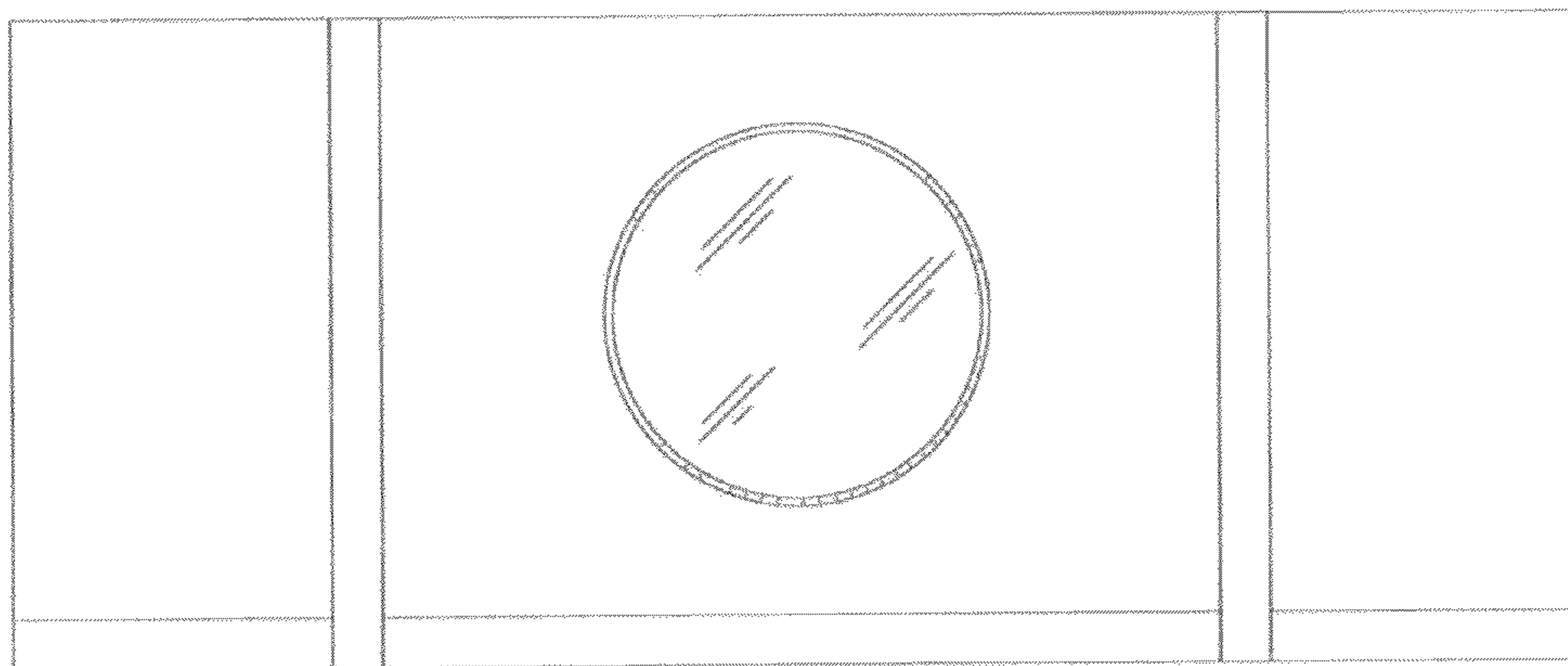


FIG. 18



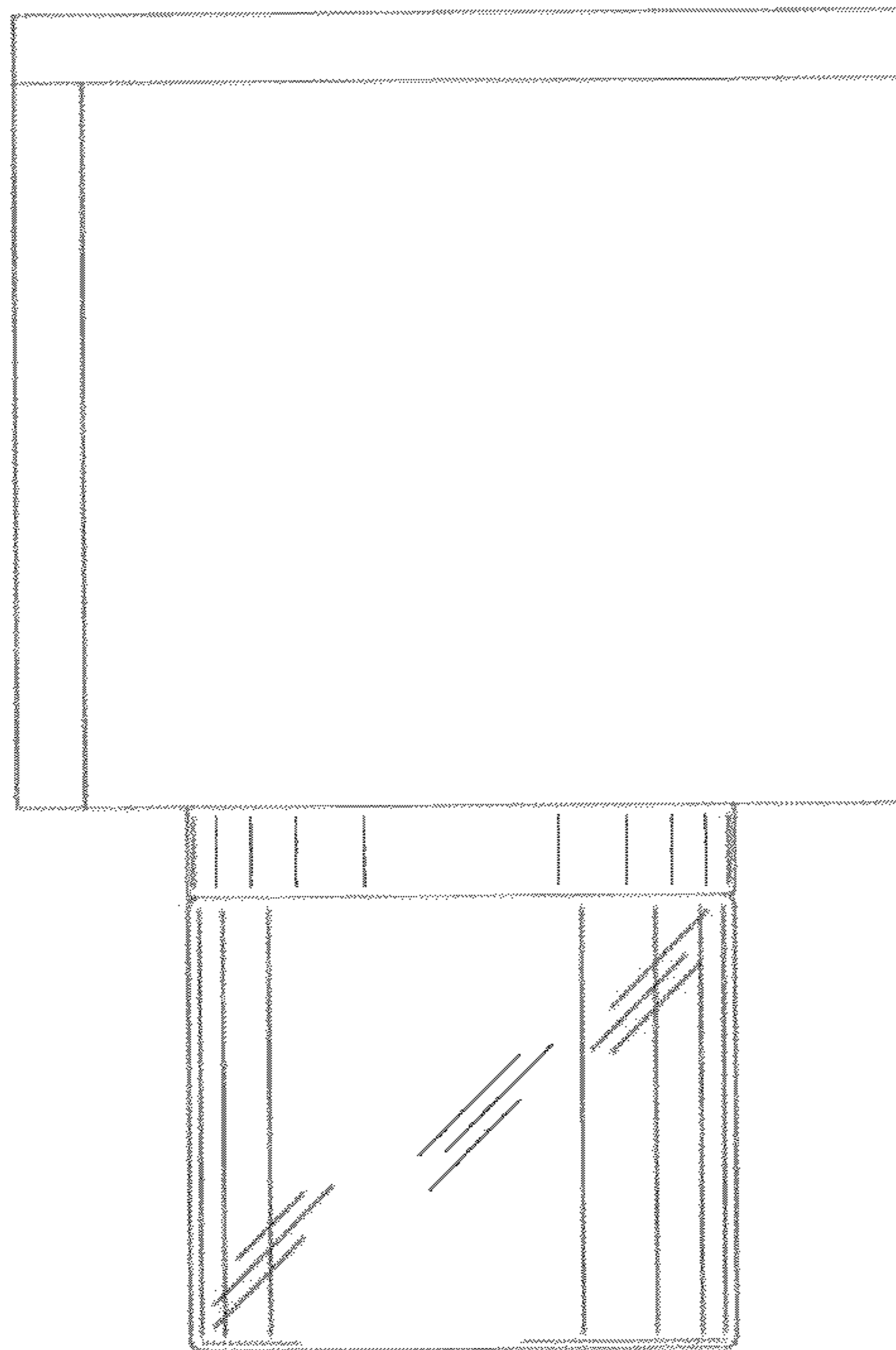


FIG. 19

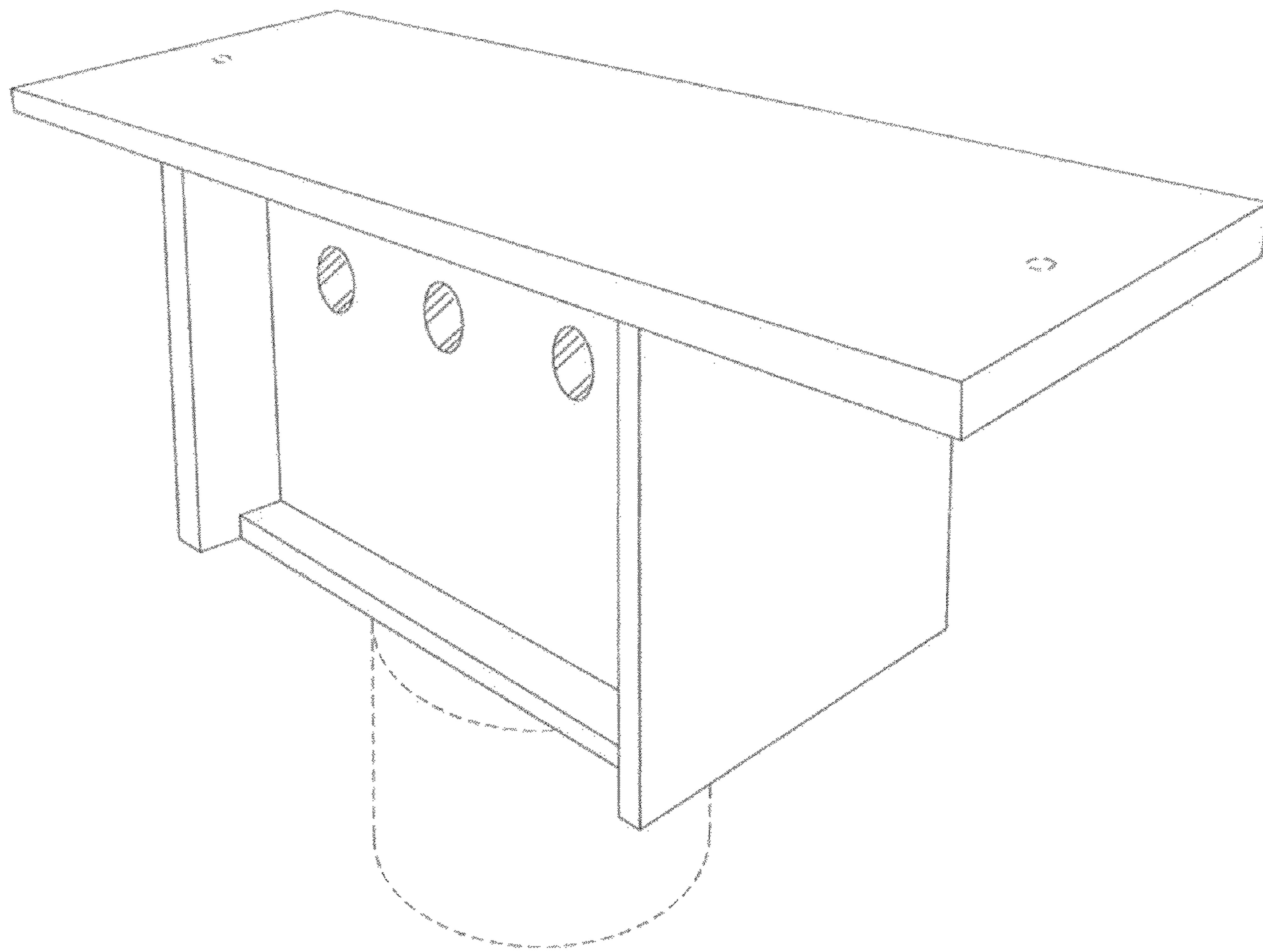


FIG. 20

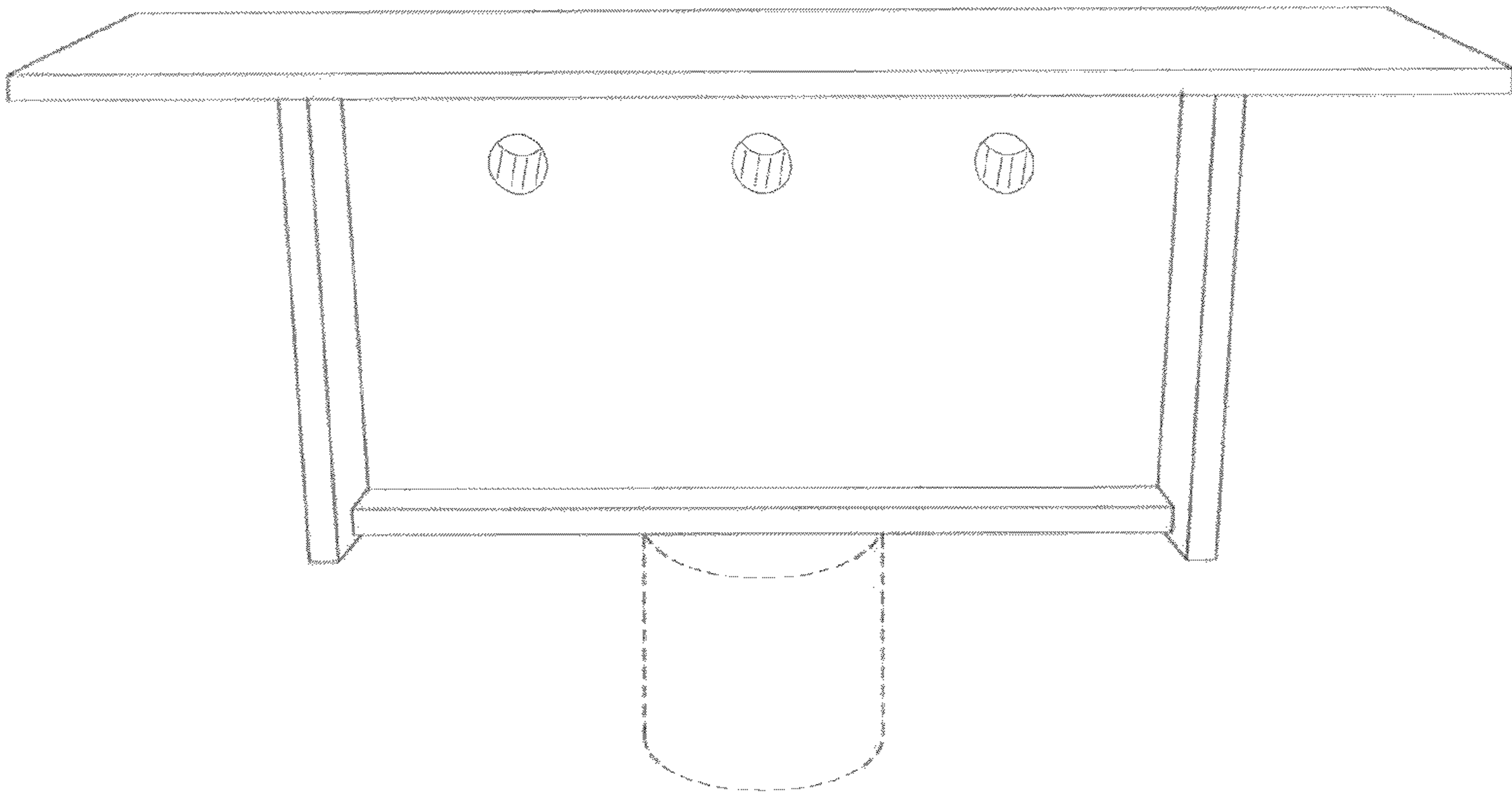
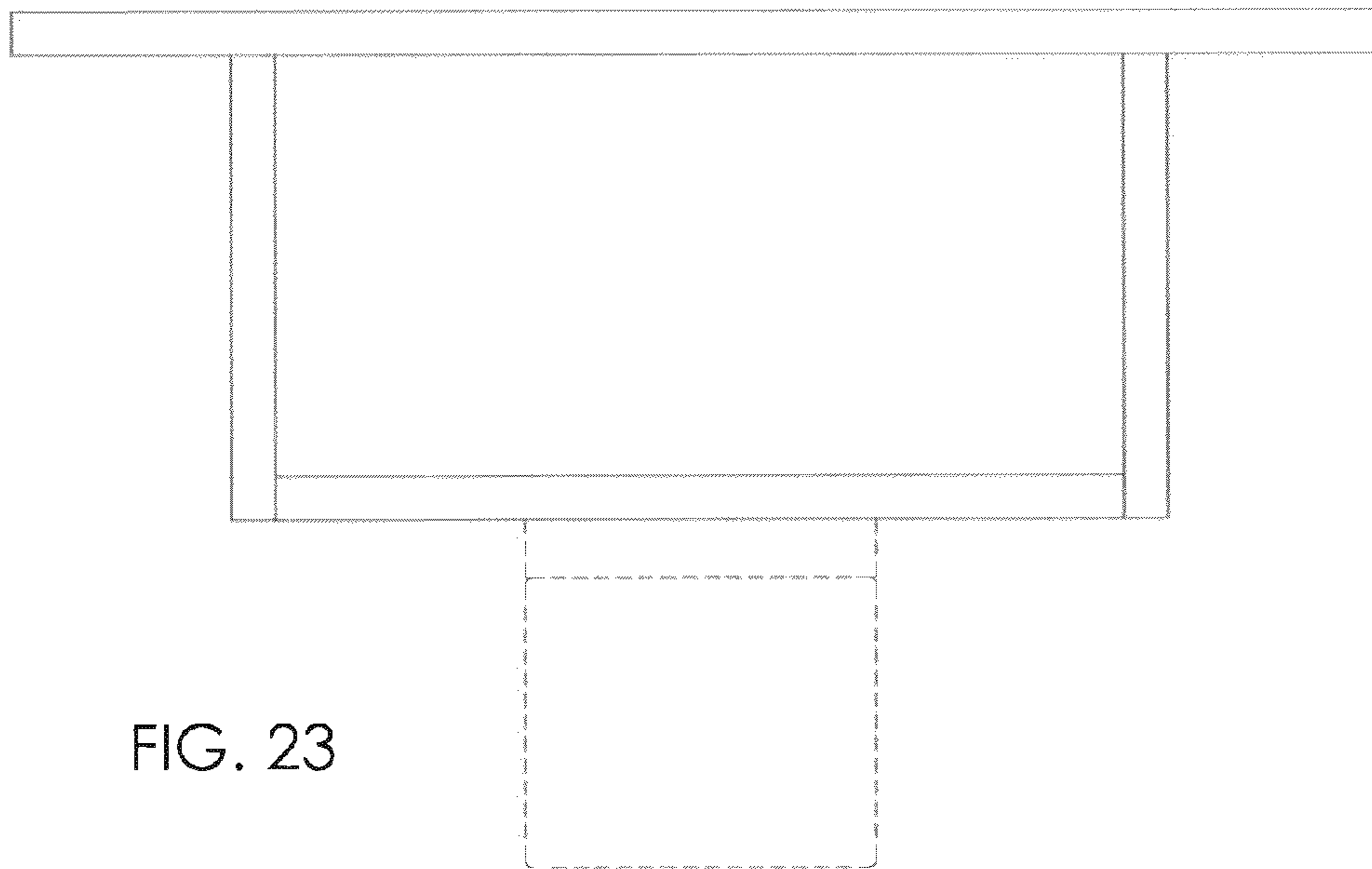
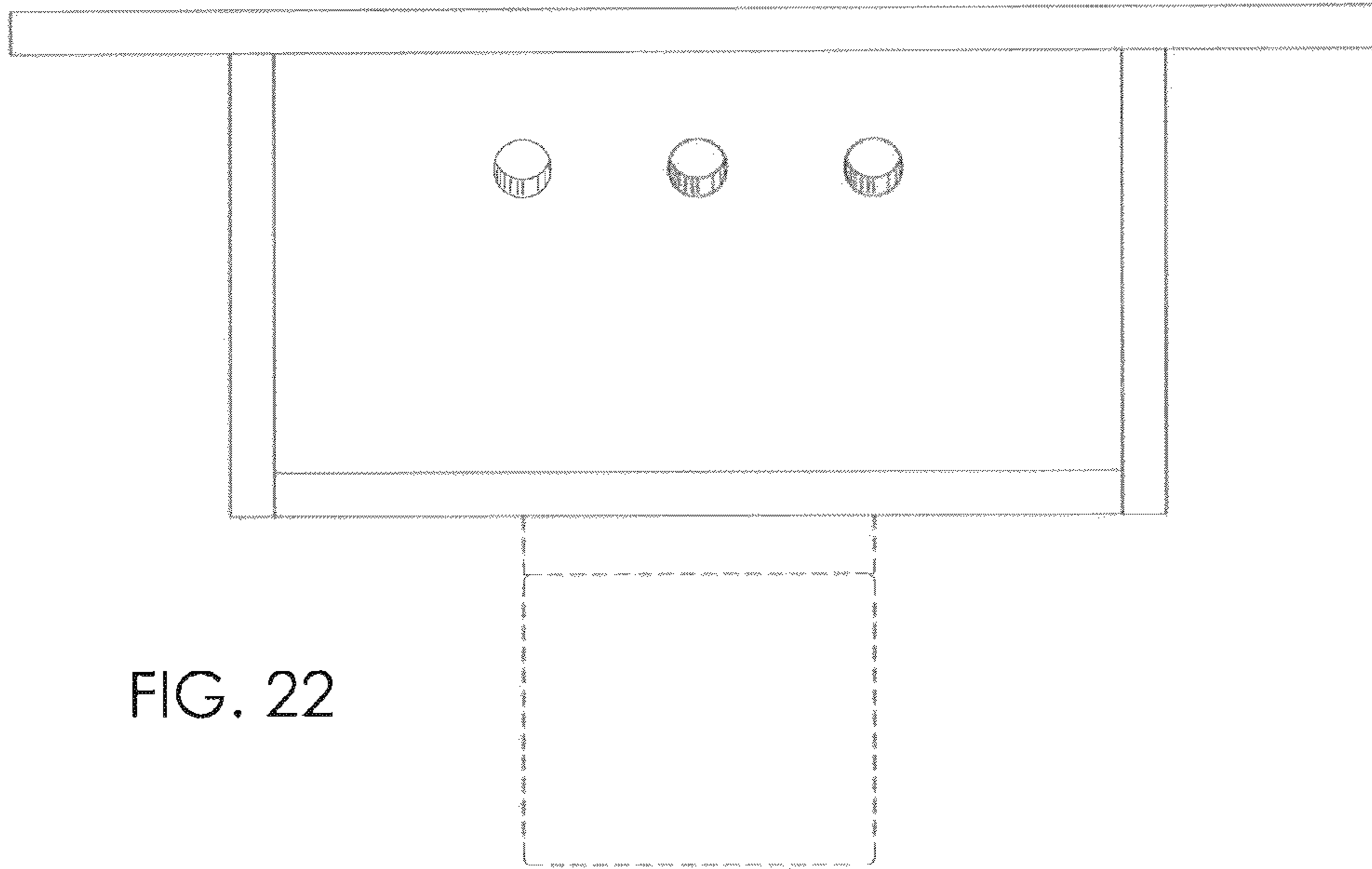


FIG. 21



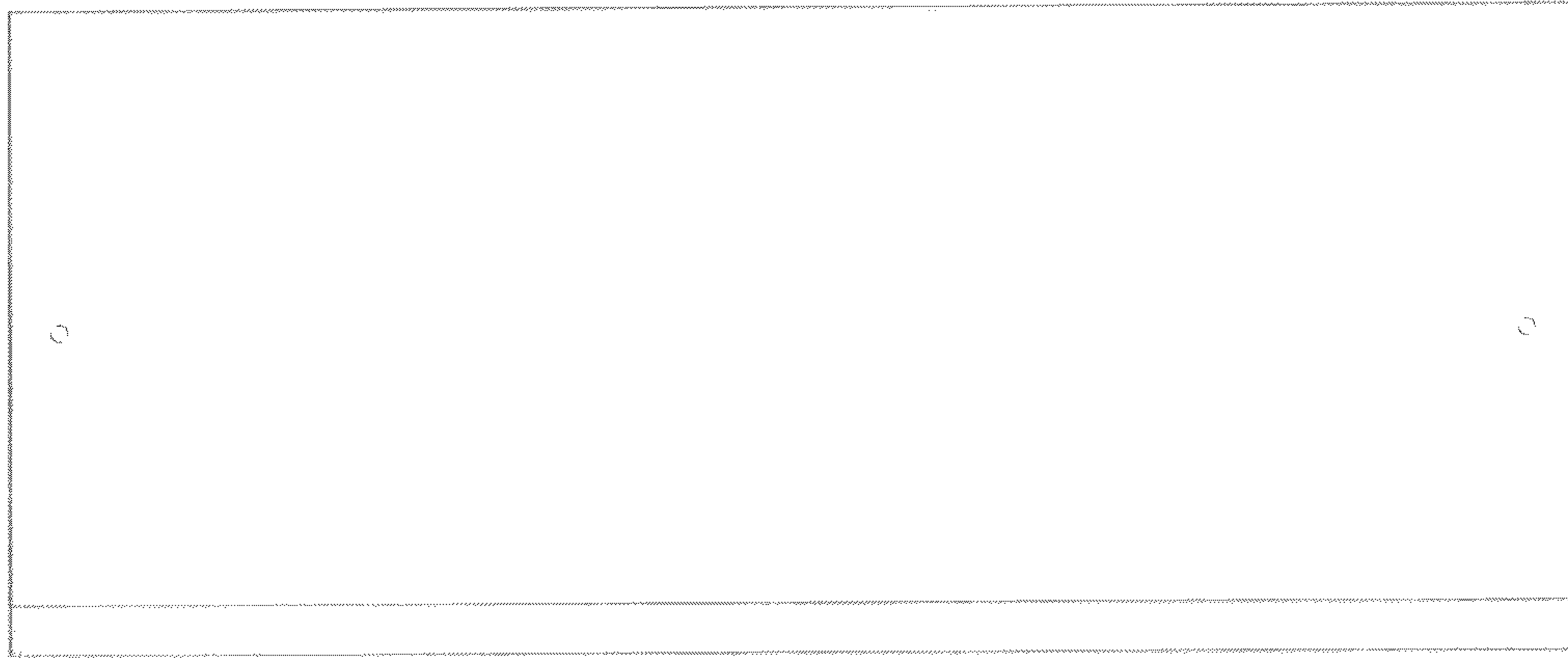


FIG. 24

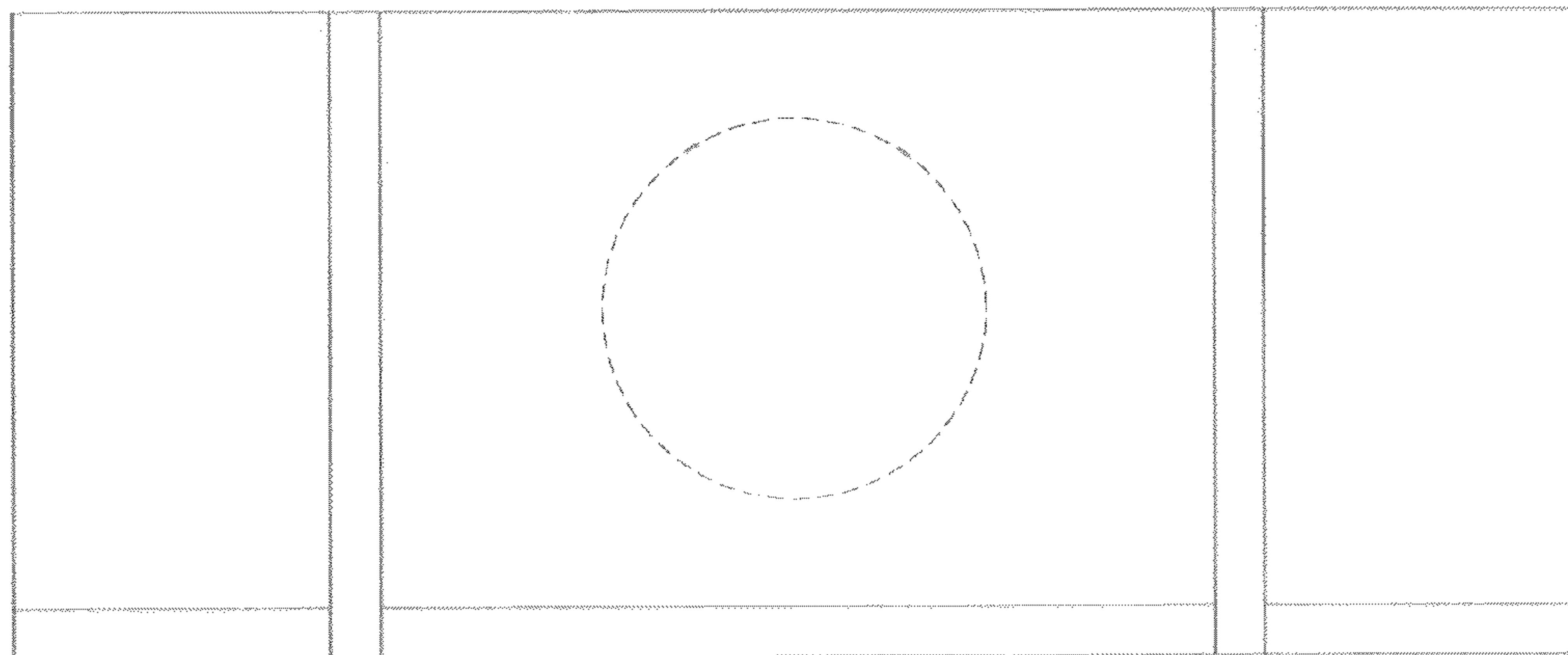


FIG. 25

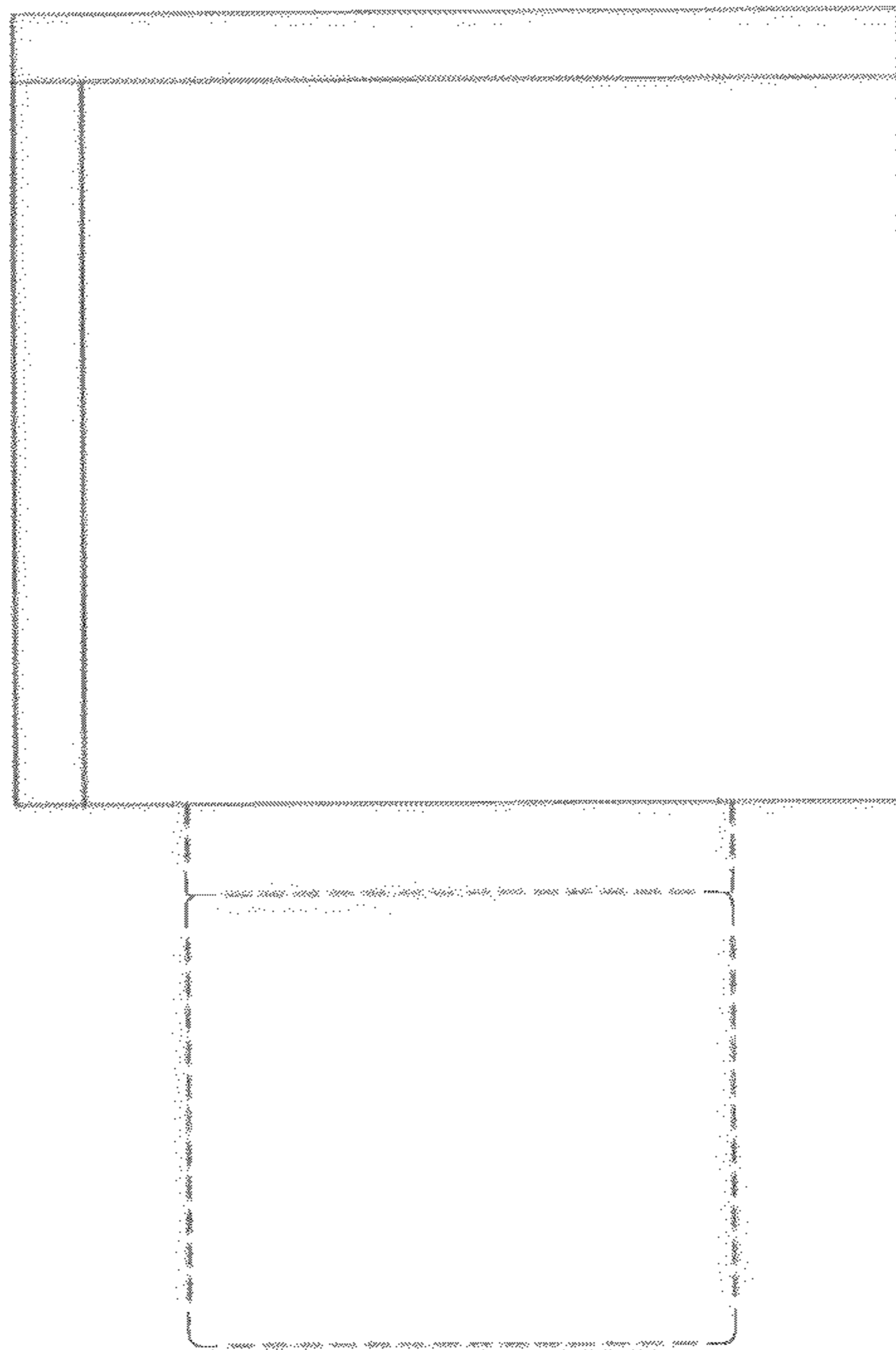


FIG. 26