



US00D690383S

(12) **United States Design Patent**  
**Sheikh et al.**

(10) **Patent No.:** **US D690,383 S**

(45) **Date of Patent:** **\*\* Sep. 24, 2013**

(54) **COMBINATION STUN GUN AND  
FLASHLIGHT WITH A CAP**

D586,025 S 2/2009 Bonis  
D595,439 S 6/2009 Haight et al.  
D599,928 S 9/2009 Shiu

(Continued)

(71) Applicants: **Yasar Sheikh**, Sanford, FL (US);  
**Shabbir Sheikh**, Sanford, FL (US)

**OTHER PUBLICATIONS**

The Home Security Superstore, <http://www.thehomesecuritysuperstore.com/stun-guns-flashlight-stun-guns-sub=38>.

(Continued)

(72) Inventors: **Yasar Sheikh**, Sanford, FL (US);  
**Shabbir Sheikh**, Sanford, FL (US)

(\*\*) Term: **14 Years**

*Primary Examiner* — Catheri Oliver-Garcia

(21) Appl. No.: **29/446,494**

(74) *Attorney, Agent, or Firm* — QuickPatents; Kevin Prince

(22) Filed: **Feb. 25, 2013**

(57)

**CLAIM**

We claim the ornamental design for a combination stun gun and flashlight with a cap, as shown and described.

(51) **LOC (9) Cl.** ..... **22-01**

**DESCRIPTION**

(52) **U.S. Cl.**  
USPC ..... **D22/117; D26/38**

(58) **Field of Classification Search**  
USPC ..... **D22/117; D26/38, 40, 42, 46, 49,  
D26/51; 362/157-158, 184, 194-208, 253;  
D28/85, 88-89**

FIG. 1 is a perspective view of a combination stun gun and flashlight with a cap, showing a first embodiment of our new design;

FIG. 2 is an exploded perspective view of FIG. 1;  
FIG. 3 is an exploded rear elevational view of FIG. 1;  
FIG. 4 is an exploded front elevational view of FIG. 1;  
FIG. 5 is an exploded right-side elevational view of FIG. 1, the left-side elevational view being a mirror image thereof;  
FIG. 6 is an exploded top plan view of FIG. 1;  
FIG. 7 is an exploded bottom plan view of FIG. 1;  
FIG. 8 is an exploded perspective view of a second embodiment thereof;

See application file for complete search history.

FIG. 9 is an exploded rear elevational view of FIG. 8;  
FIG. 10 is an exploded front elevational view of FIG. 8; and,  
FIG. 11 is an exploded top plan view of FIG. 8.

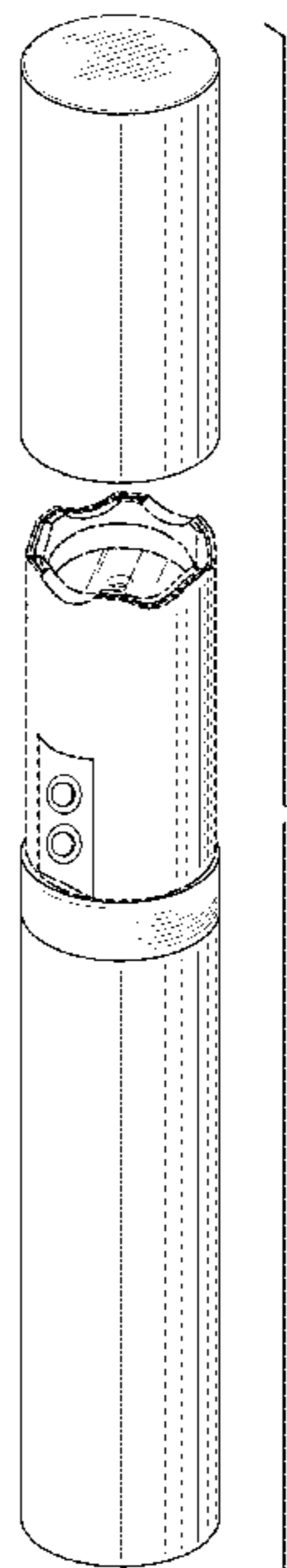
The broken lines showing recessed areas in FIGS. 3, 7 and 9 represent environmental matter that forms no part of the claimed design. It is understood that the bottom plan view, left-side elevational view, and right-side elevational views are identical between both embodiments.

(56) **References Cited**

**U.S. PATENT DOCUMENTS**

D281,054 S *	10/1985	Menrad	.....	D28/89
4,968,034 A	11/1990	Hsieh		
D354,328 S *	1/1995	McCarty	.....	D22/117
D364,669 S *	11/1995	Winner	.....	D22/117
D513,334 S	12/2005	Galey		
D520,733 S *	5/2006	Siteman	.....	D22/117
D541,454 S	4/2007	Galey		
7,278,764 B2	10/2007	Kim		
D565,769 S	4/2008	Shiu		
D578,236 S	10/2008	Dalton		
D585,577 S	1/2009	Bonis		

**1 Claim, 5 Drawing Sheets**



(56)

**References Cited**

U.S. PATENT DOCUMENTS

D601,736 S 10/2009 Swan  
D603,988 S 11/2009 Sharrah  
D611,115 S 3/2010 Pennington  
D629,542 S 12/2010 Robinson  
D629,544 S 12/2010 Deguglimo et al.  
D629,546 S 12/2010 Deguglimo et al.  
D646,346 S 10/2011 Rae  
D647,232 S 10/2011 Liu  
D647,654 S 10/2011 Li

D648,467 S 11/2011 Nguyen et al.  
D649,670 S 11/2011 Robinson  
D666,344 S 8/2012 Lee  
D684,717 S \* 6/2013 Hicks ..... D26/49

OTHER PUBLICATIONS

The Home Security Superstore, "Perfume Protector Rechargeable 1M," <http://www.thehomesecuritysuperstore.com/stun-guns-for-women-perfume-protector-rechargeable-1m-swpp1000r-p=3149>.

\* cited by examiner

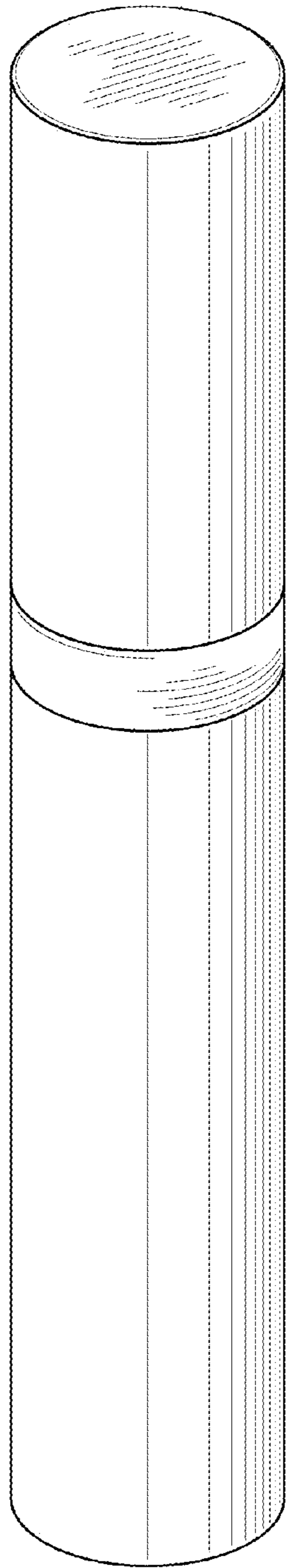


FIG. 1

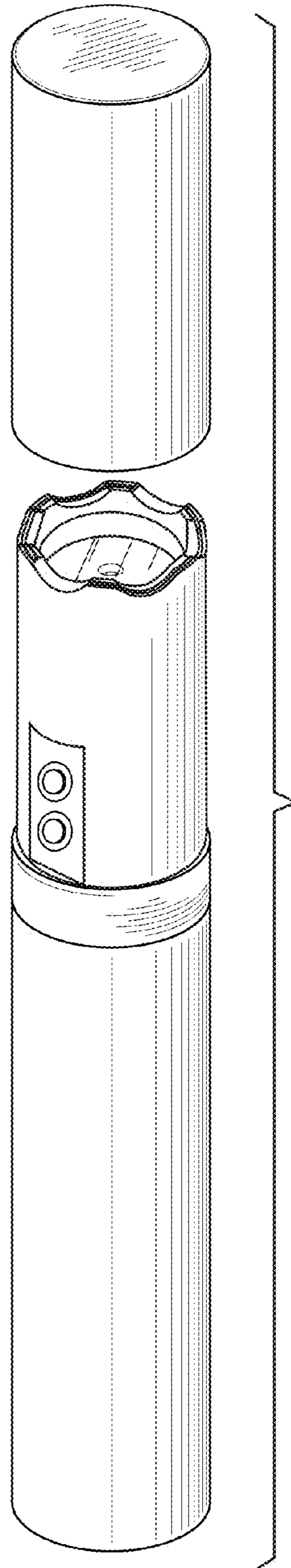


FIG. 2

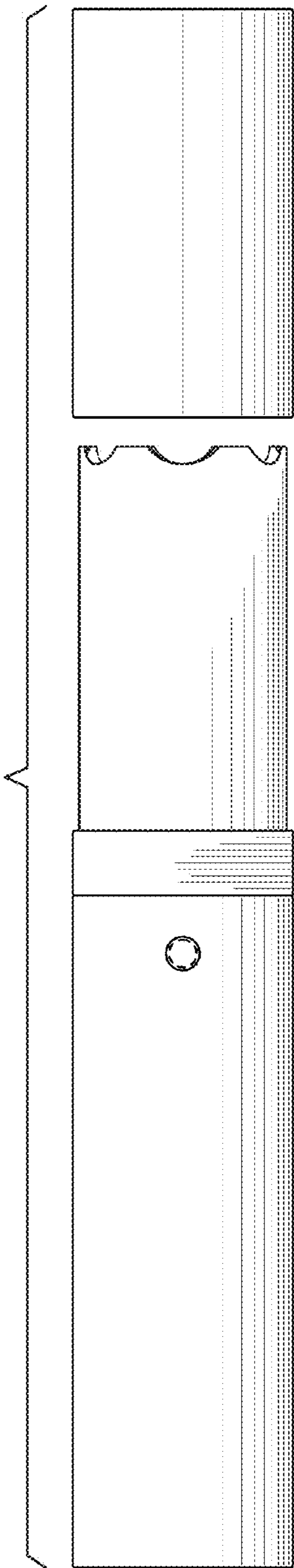


FIG. 3

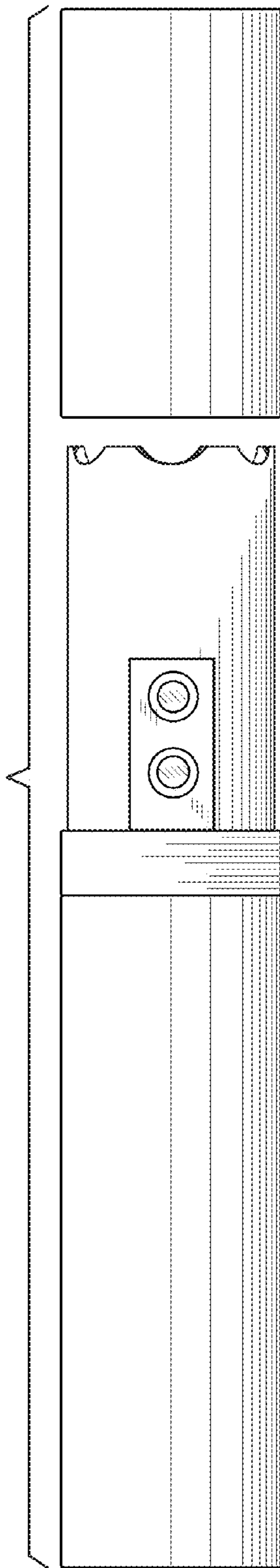


FIG. 4

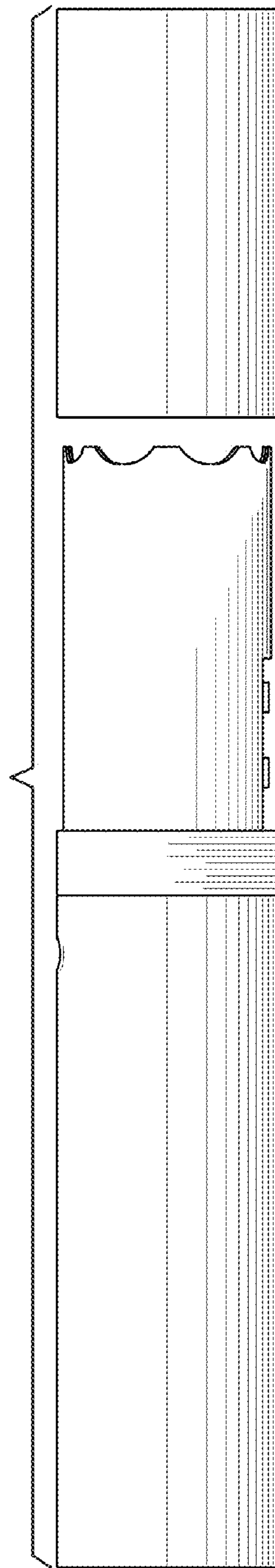


FIG. 5

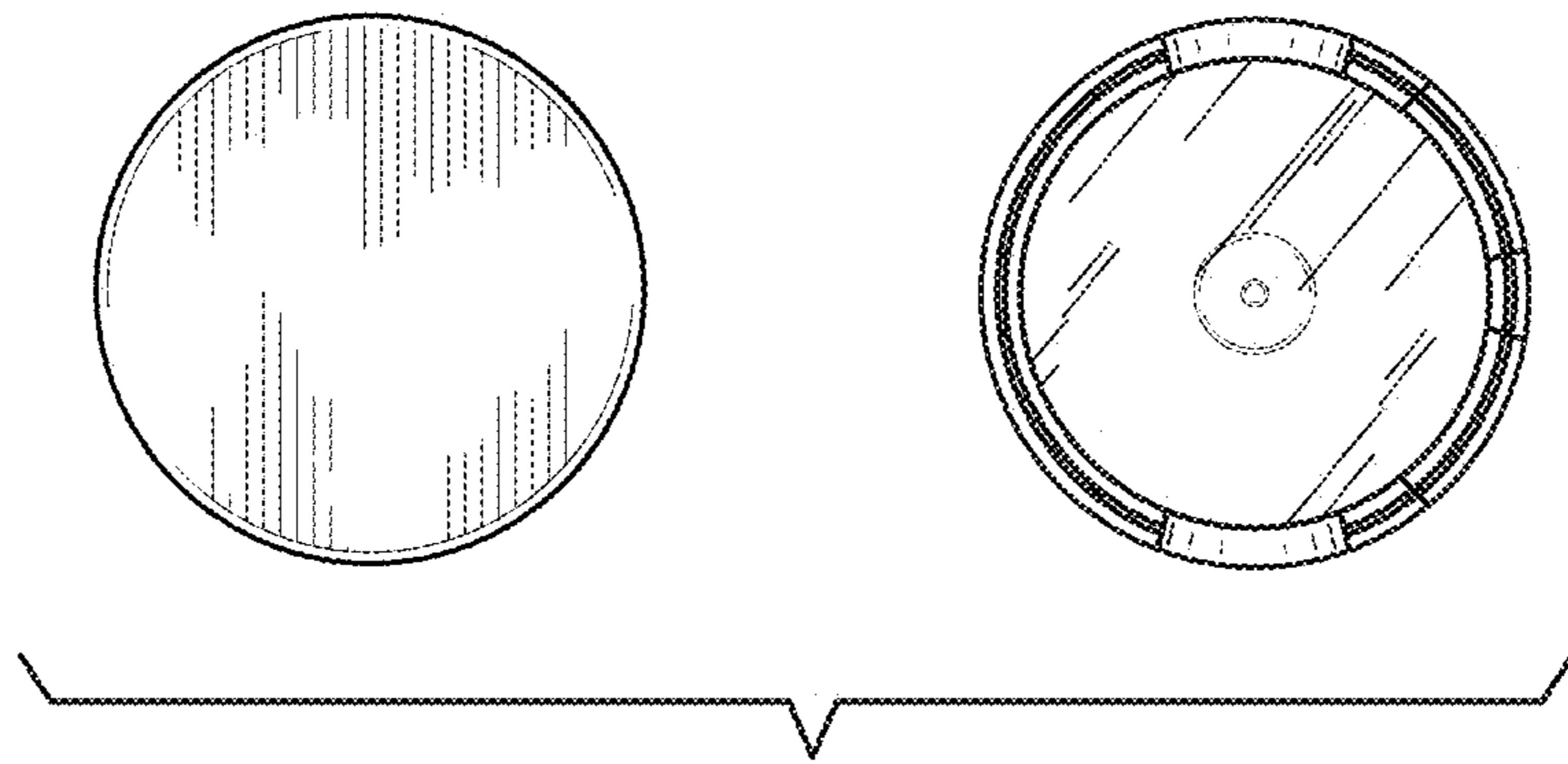


FIG. 6

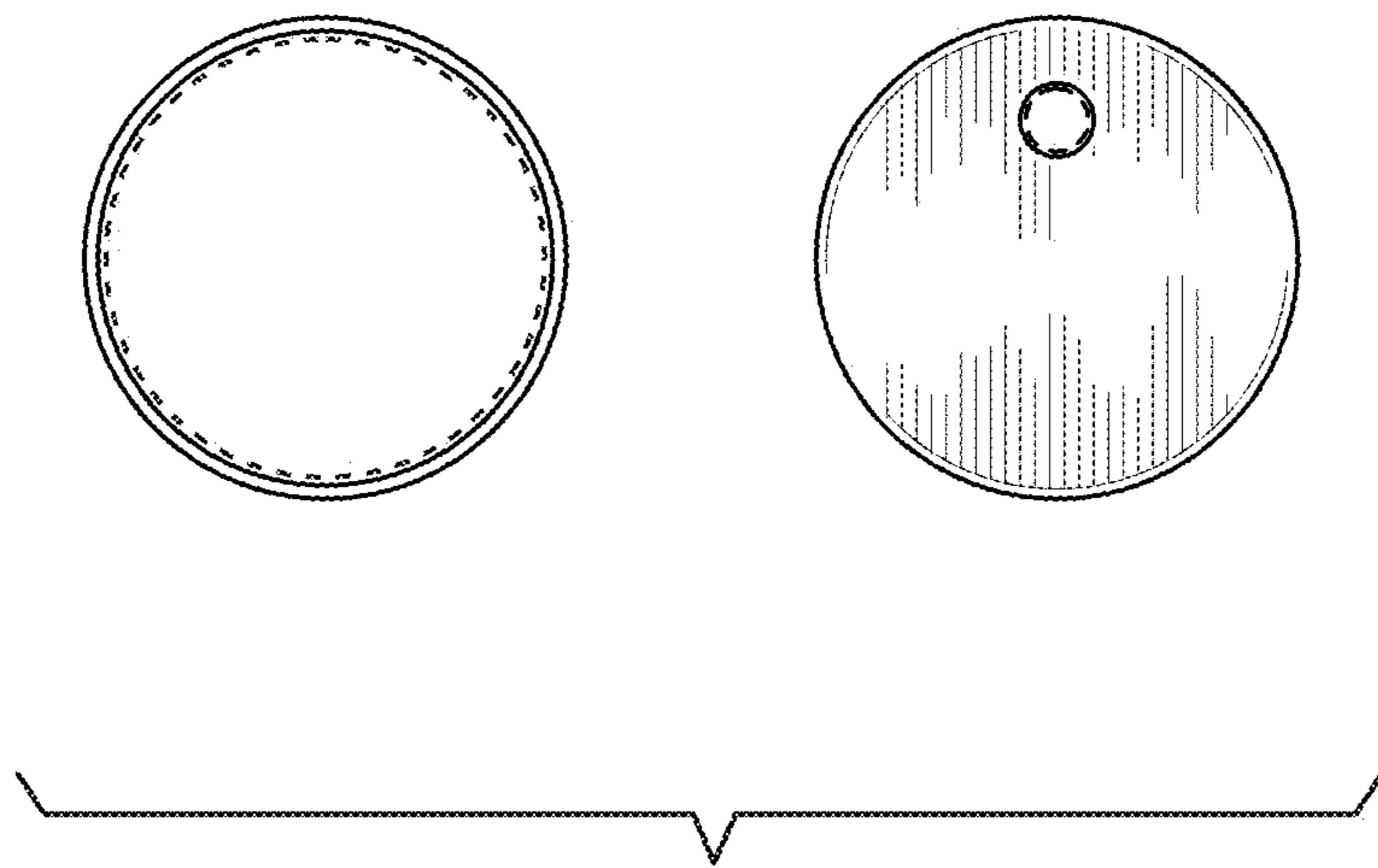


FIG. 7

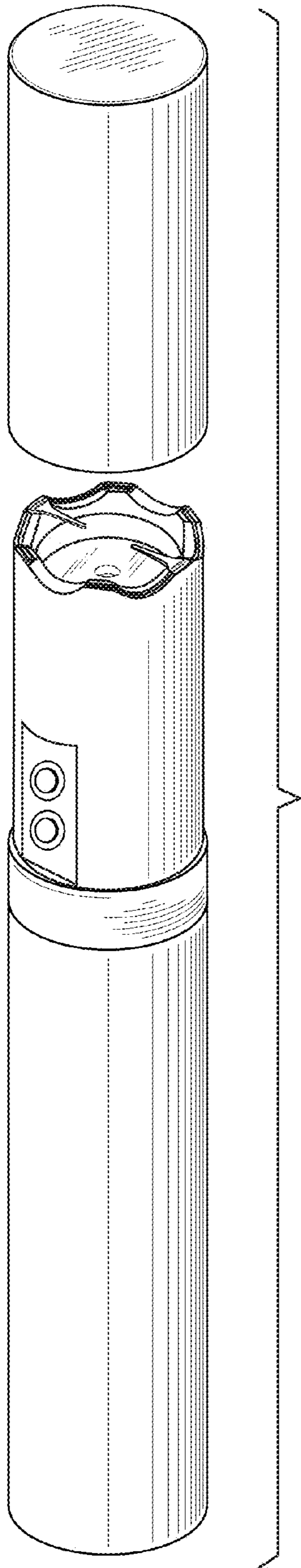


FIG. 8

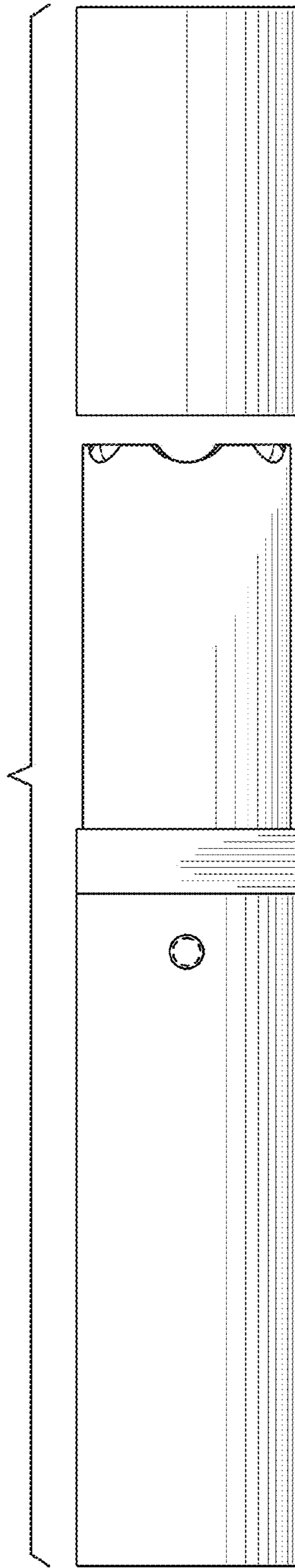


FIG. 9

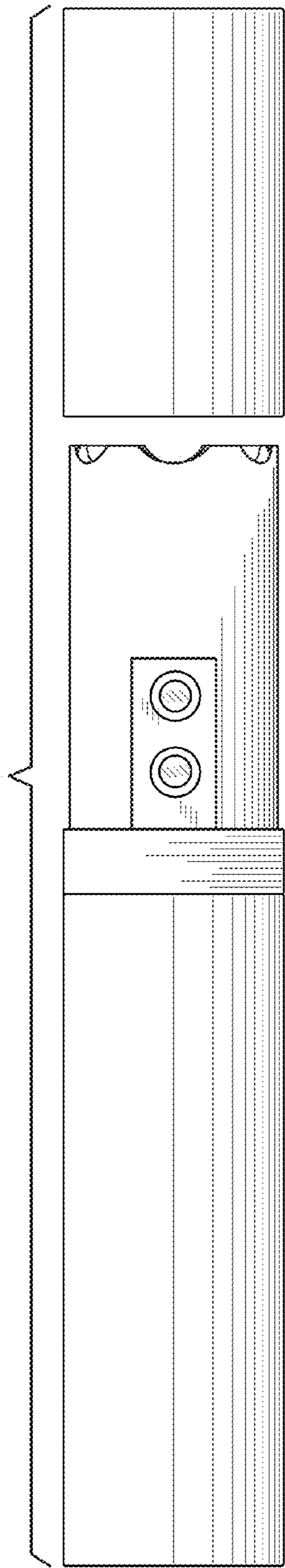


FIG. 10

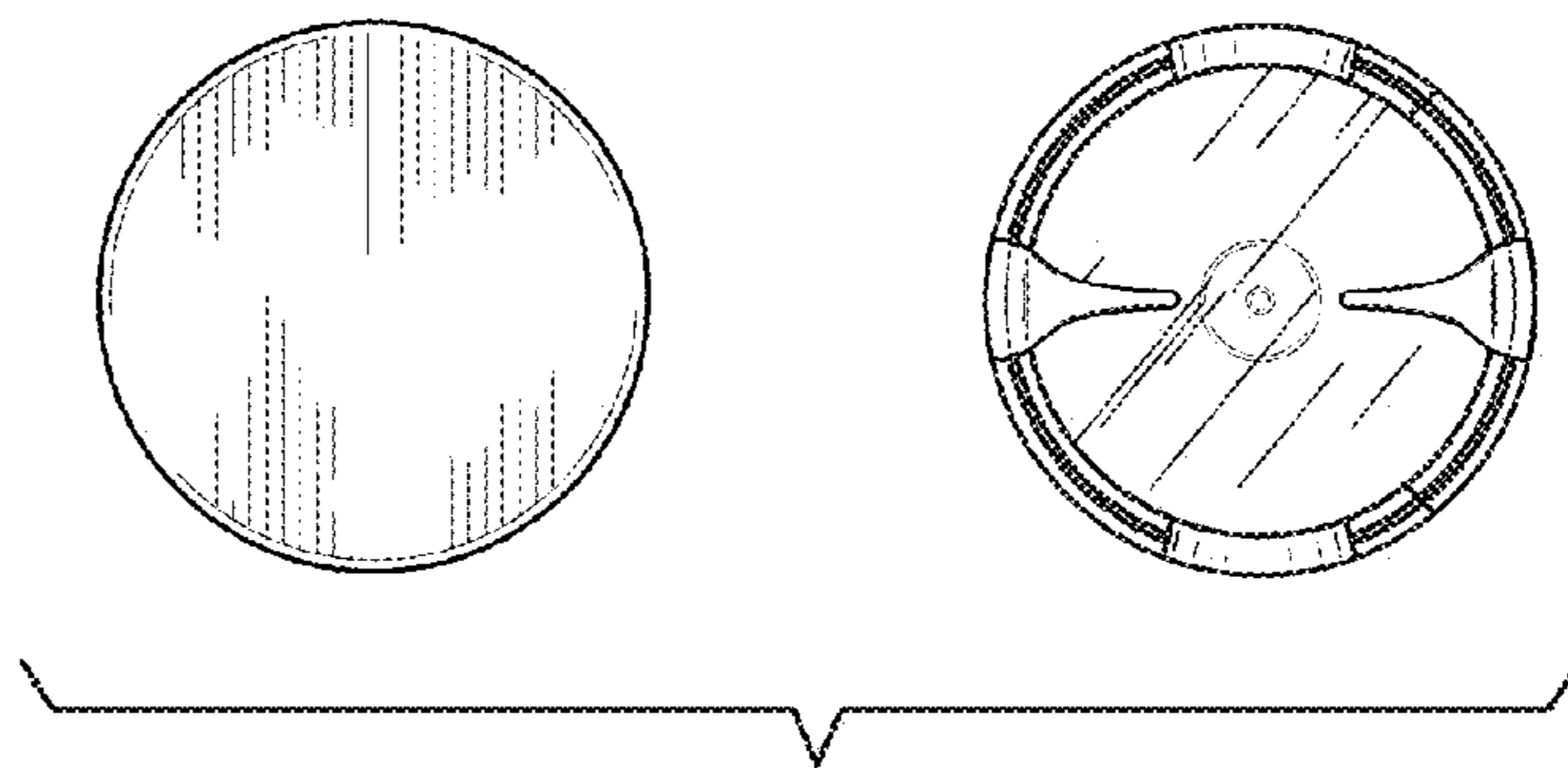


FIG. 11