



US00D690382S

(12) **United States Design Patent**
Kopp et al.

(10) **Patent No.:** **US D690,382 S**

(45) **Date of Patent:** **** Sep. 24, 2013**

- (54) **WOOD AND RESIN PLAYSET**
- (75) Inventors: **Robert Kopp**, Elburn, IL (US);
Torrence Anderson, Overland Park, KS
(US); **Michael Vogler**, Oswego, IL (US)
- (73) Assignee: **Suncast Technologies, LLC**, Palm
Beach Gardens, FL (US)

D436,224 S *	1/2001	Gardner et al.	D21/827
D440,623 S *	4/2001	Gardner et al.	D21/827
D468,387 S *	1/2003	Ezell	D21/826
D534,984 S *	1/2007	Nye et al.	D21/818
D536,406 S *	2/2007	Nye et al.	D21/818
D536,407 S *	2/2007	Nye et al.	D21/818
D536,409 S *	2/2007	Nye et al.	D21/822
D536,410 S *	2/2007	Nye et al.	D21/822
D536,411 S *	2/2007	Nye et al.	D21/822

(**) Term: **14 Years**

* cited by examiner

(21) Appl. No.: **29/427,325**

Primary Examiner — Mitchell Siegel

(22) Filed: **Jul. 17, 2012**

(74) *Attorney, Agent, or Firm* — McHale & Slavin, P.A.

(51) **LOC (9) Cl.** **21-06**

(57) **CLAIM**

The ornamental design for a wood and resin playset, as shown and described.

(52) **U.S. Cl.**
USPC **D21/822; D21/826**

DESCRIPTION

(58) **Field of Classification Search**
USPC D21/811, 814, 818, 822-827; 482/35-36;
472/116-125
See application file for complete search history.

FIG. 1 is a front perspective view of the wood and resin playset of the instant invention;
FIG. 2 is a rear perspective view thereof;
FIG. 3 is a front view thereof;
FIG. 4 is a rear view thereof;
FIG. 5 is a left end view thereof;
FIG. 6 is a right end view thereof; and,
FIG. 7 is a top view thereof.

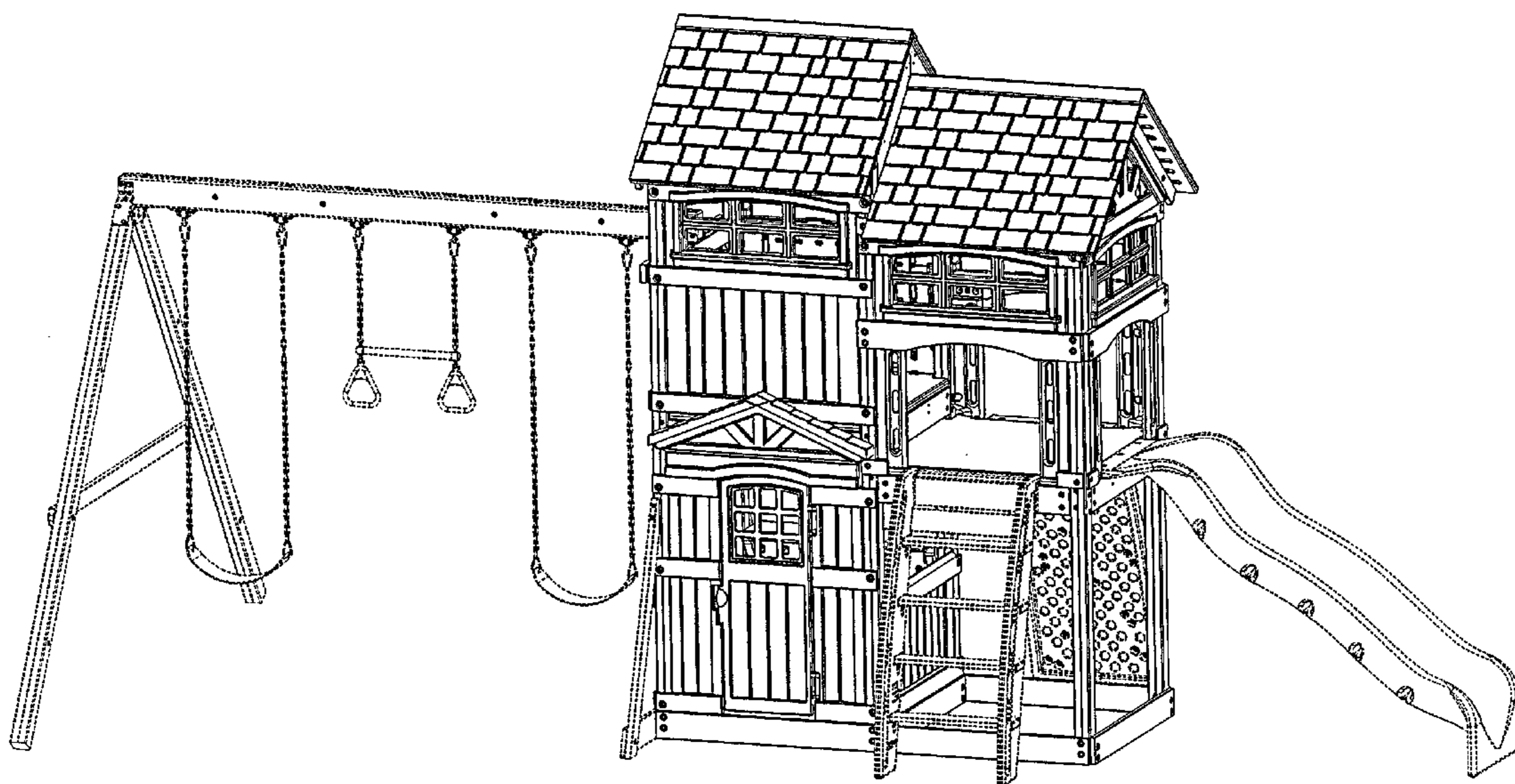
The portions of the figures illustrated in broken lines illustrate portions of the wood and resin playset which form no part of the claimed subject matter.

(56) **References Cited**

U.S. PATENT DOCUMENTS

D271,037 S *	10/1983	Gordon	D21/822
D274,450 S *	6/1984	Gordon	D21/822
D281,447 S *	11/1985	Gordon	D21/822
D347,458 S *	5/1994	Cunard et al.	D21/818
D377,074 S *	12/1996	Ford et al.	D21/827
D435,881 S *	1/2001	Gardner et al.	D21/827

1 Claim, 7 Drawing Sheets



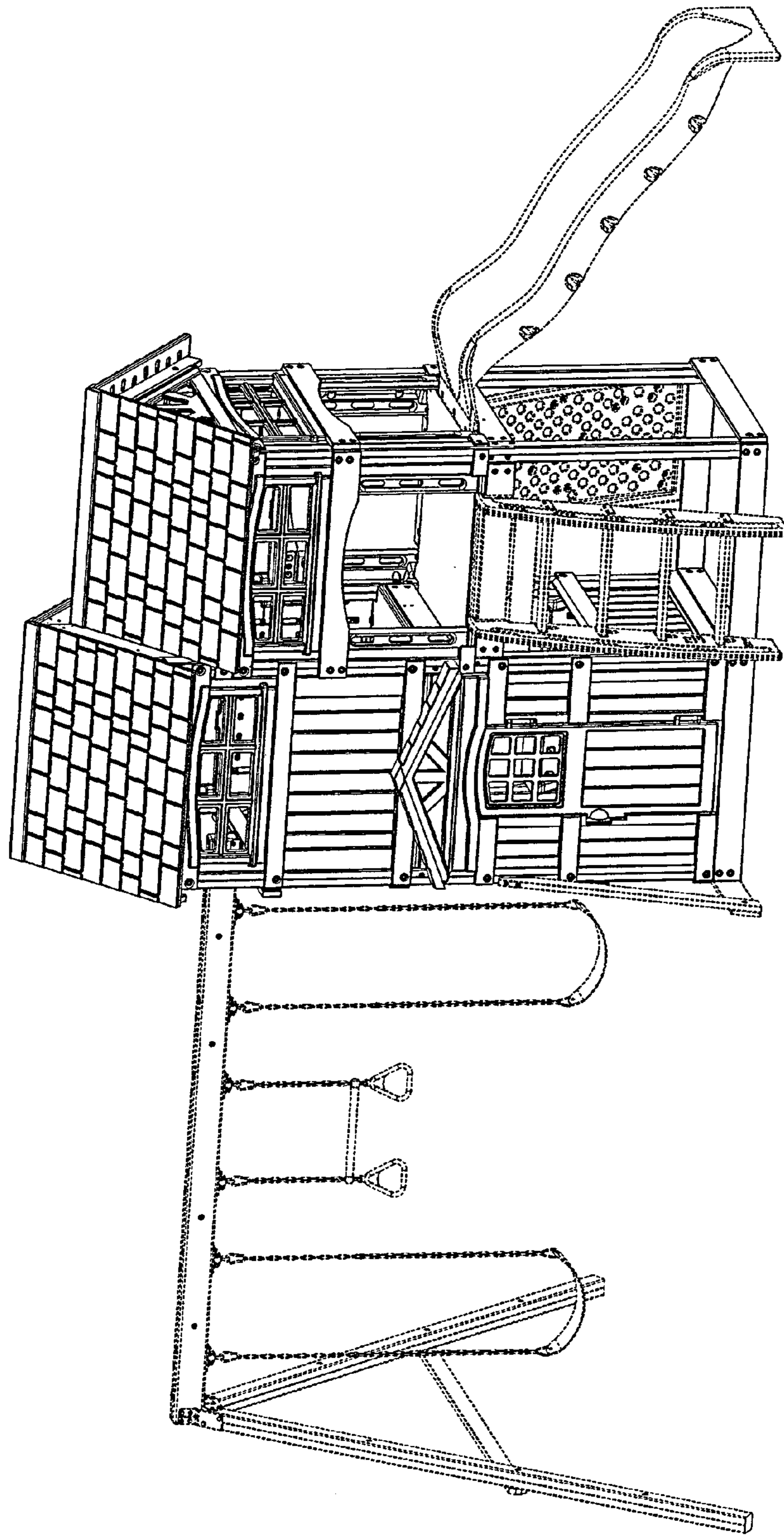


Fig. 1

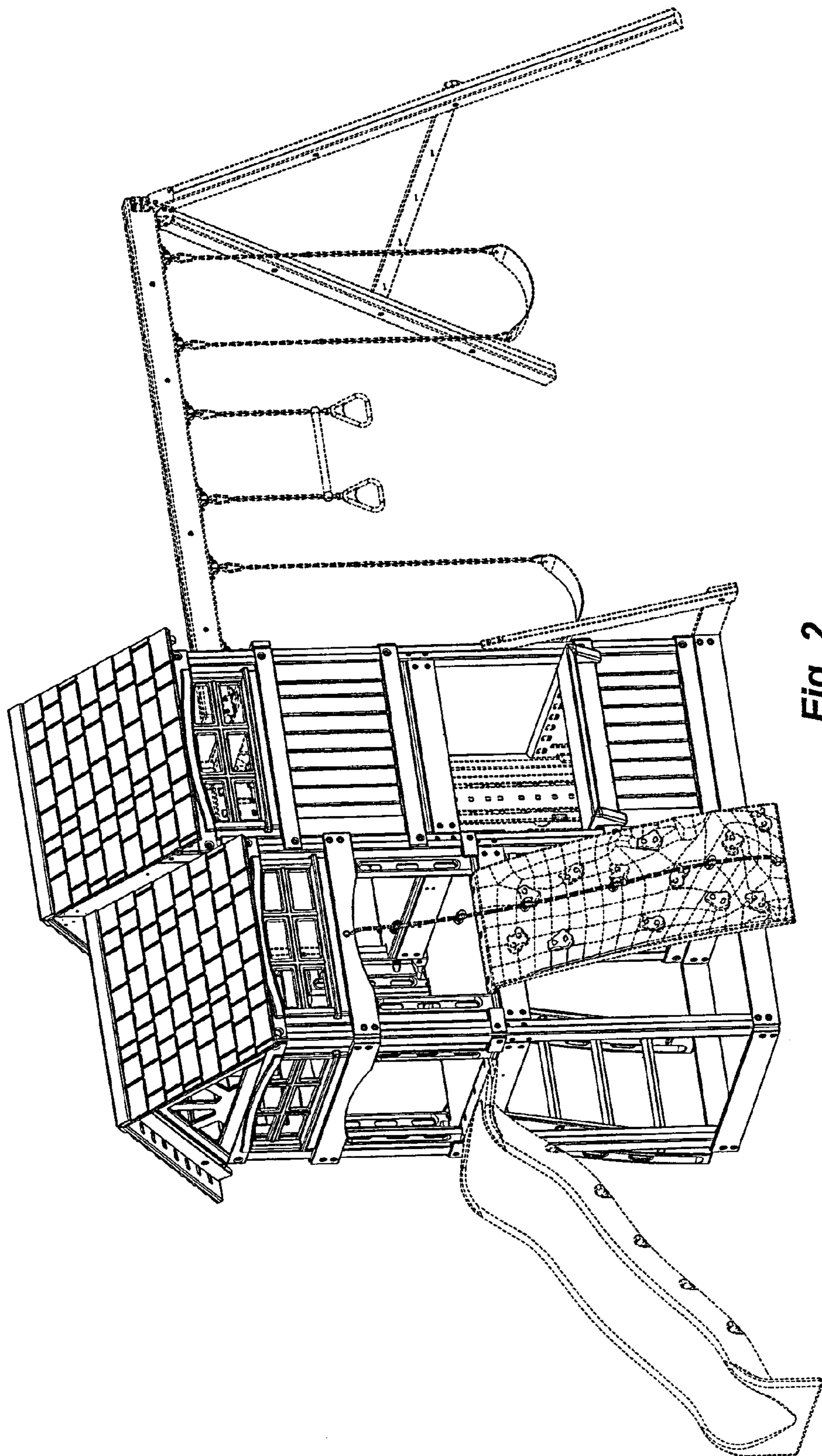


Fig. 2

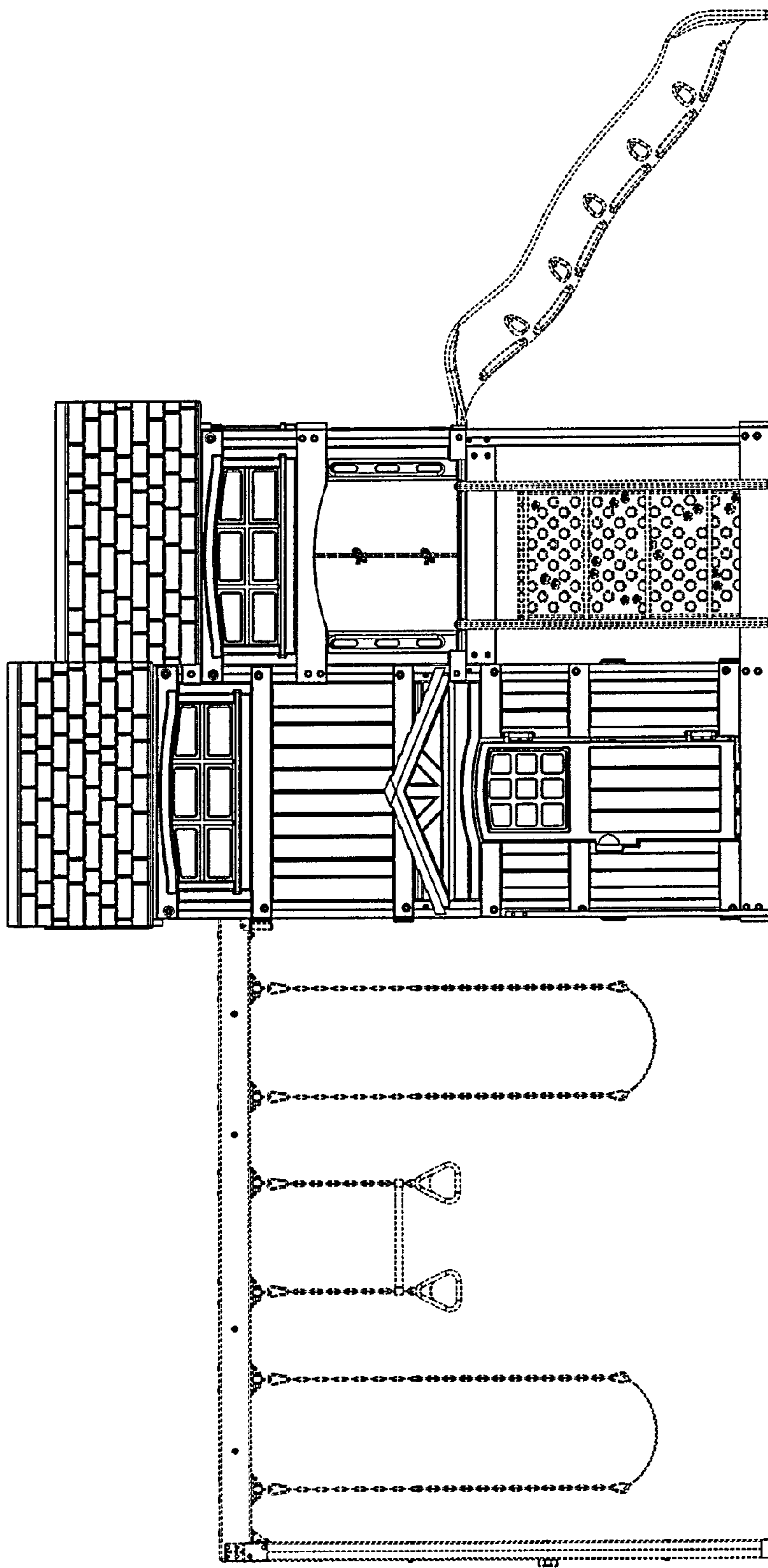


Fig. 3

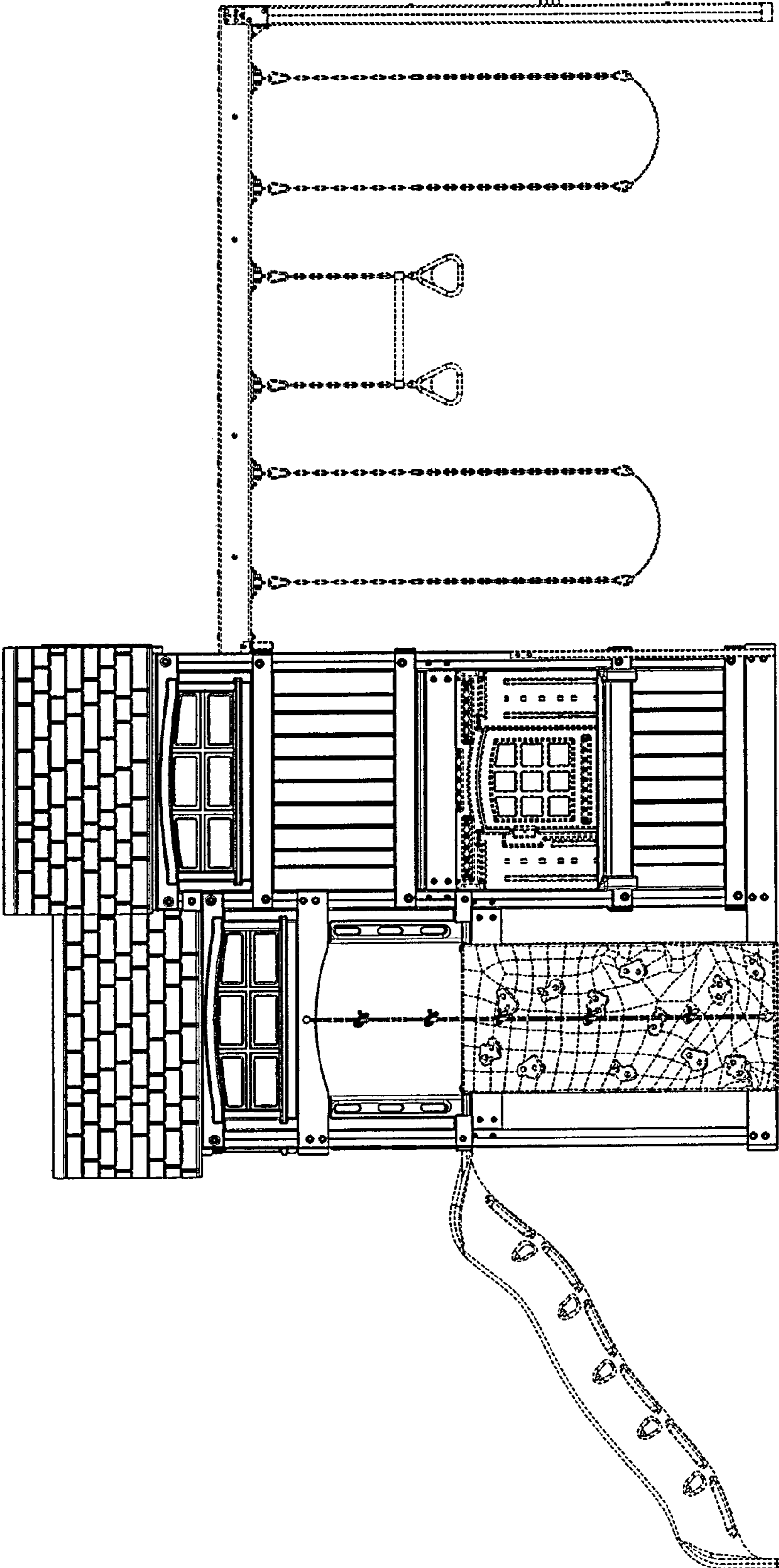


Fig. 4

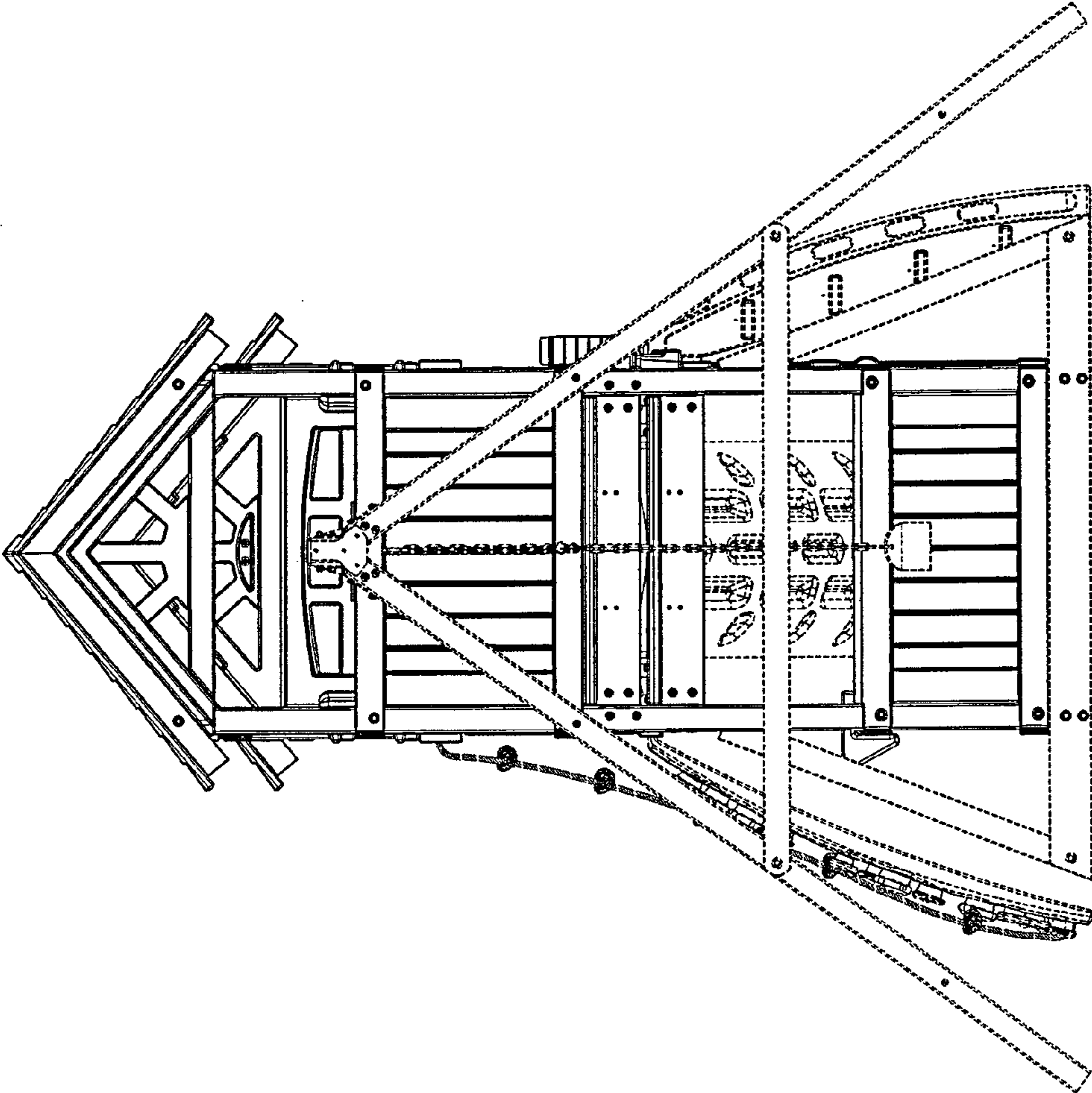


Fig. 5

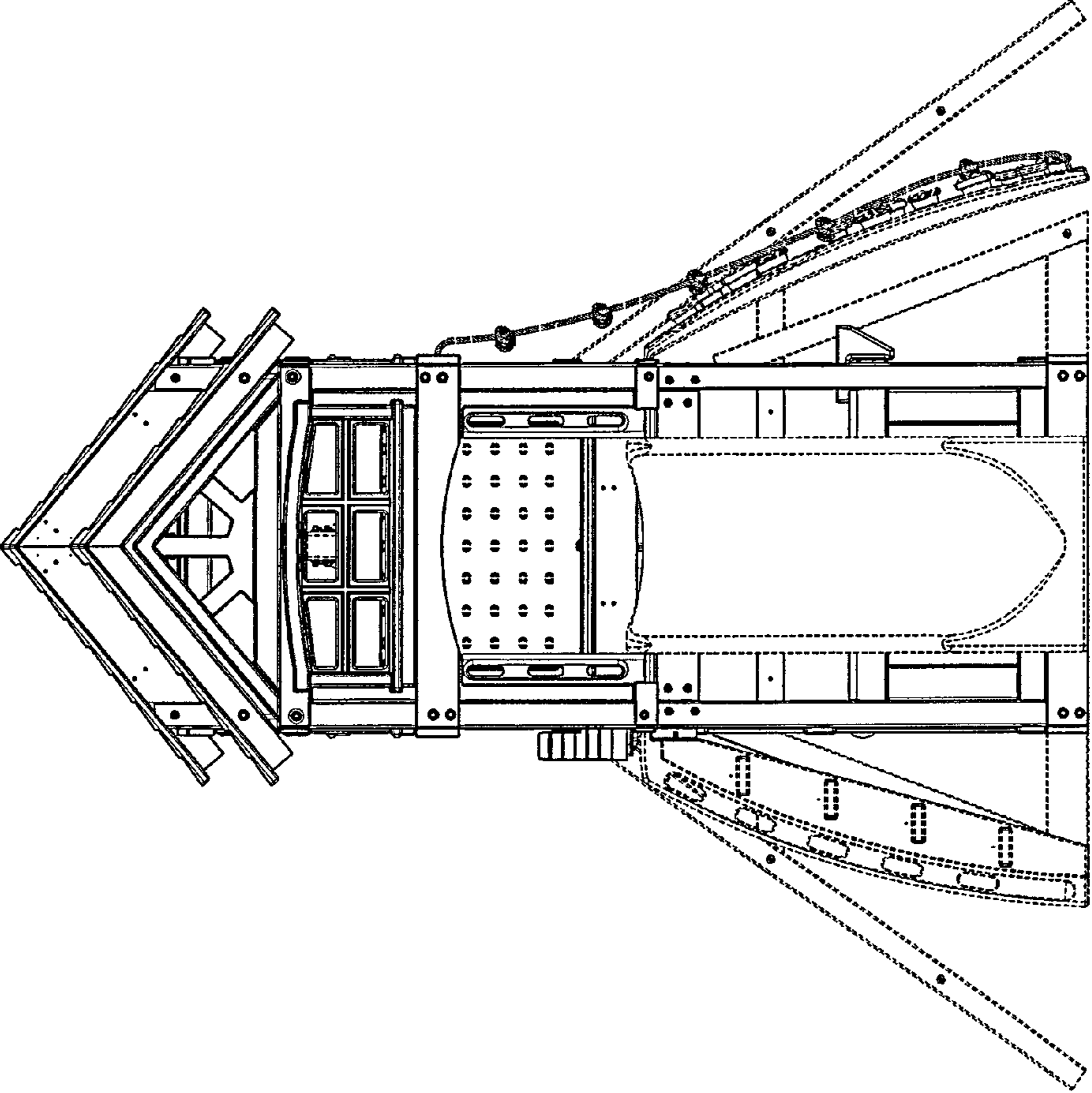


Fig. 6

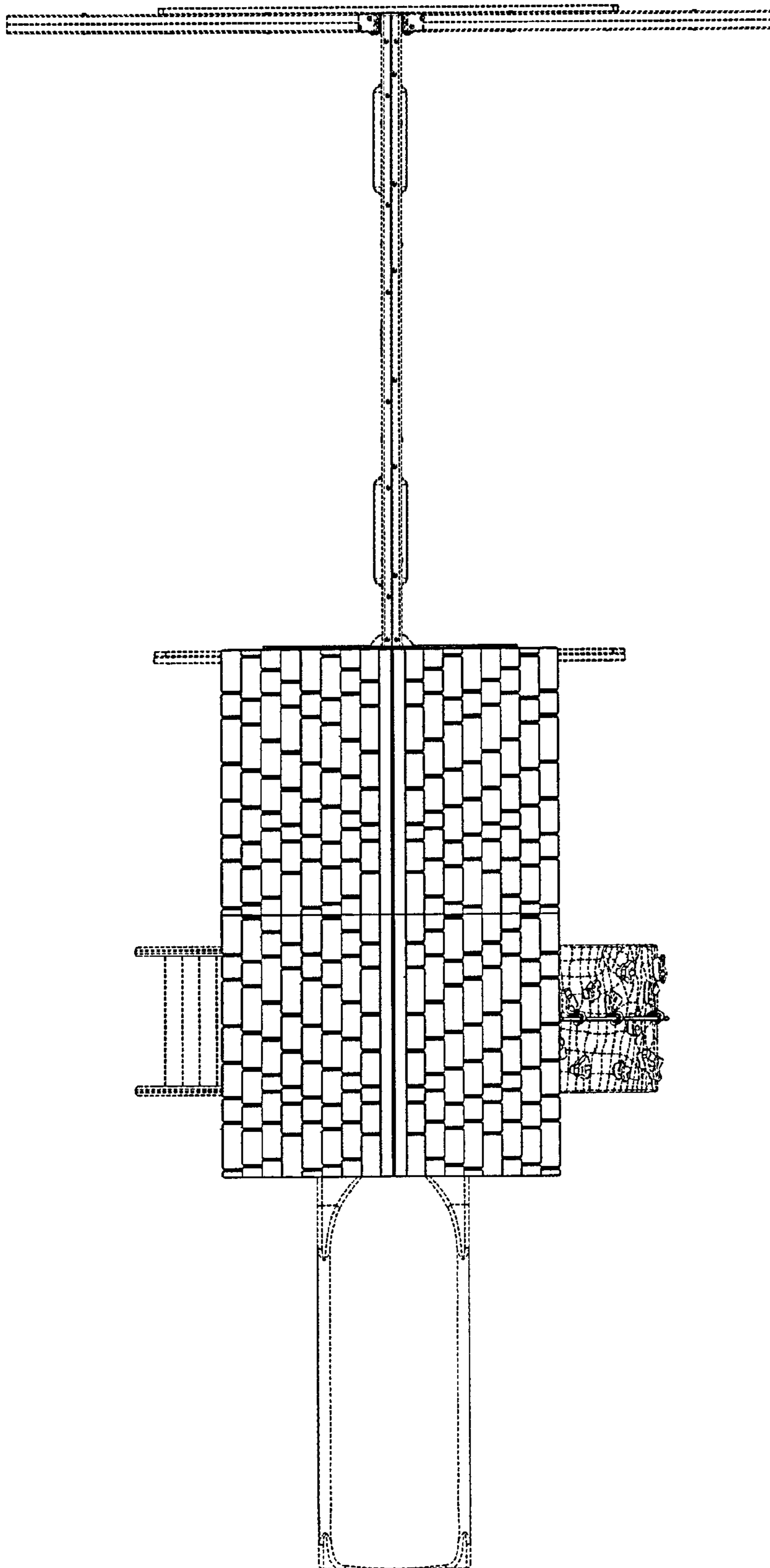


Fig. 7