

US00D690380S

(12) **United States Design Patent**
Clark

(10) **Patent No.:** **US D690,380 S**

(45) **Date of Patent:** **** Sep. 24, 2013**

(54) **DIMPLE PLUG FOR A SURFCRAFT**

(76) Inventor: **Jeffrey Bodily Clark**, El Granada, CA
(US)

(**) Term: **14 Years**

(21) Appl. No.: **29/421,324**

(22) Filed: **Jul. 5, 2012**

(51) **LOC (9) Cl.** **02-01**

(52) **U.S. Cl.**
USPC **D21/771; D21/778**

(58) **Field of Classification Search**
USPC D21/684-685, 760-761, 765-766,
D21/768-777, 778; 280/601, 609, 637, 11.36;
441/74-75

See application file for complete search history.

(56) **References Cited**

U.S. PATENT DOCUMENTS

3,516,099	A *	6/1970	Pope et al.	441/79
3,585,663	A *	6/1971	Johnson	441/79
3,659,300	A *	5/1972	Johnson	441/79
4,040,137	A *	8/1977	Fetherston et al.	441/70
D396,255	S *	7/1998	Kotler	D21/710
5,975,974	A *	11/1999	McCausland	441/79
D431,114	S *	9/2000	Smith et al.	D6/309
D435,957	S	1/2001	Kenefake	

6,386,933	B1 *	5/2002	Rewald et al.	441/74
6,752,674	B2 *	6/2004	Jolly	441/79
D494,235	S *	8/2004	Edwards	D21/710
D502,522	S *	3/2005	Sperafico	D21/771
D515,154	S *	2/2006	Coleman et al.	D21/710
D542,874	S *	5/2007	Rodier	D21/771
D644,287	S	8/2011	Holloway et al.	
D660,393	S	5/2012	Bradley et al.	

* cited by examiner

Primary Examiner — Zenia Bennett

(74) *Attorney, Agent, or Firm* — Thomas C. Feix

(57) **CLAIM**

The ornamental design for a dimple plug for a surfcraft, as shown and described.

DESCRIPTION

FIG. 1 is a top perspective view of a dimple plug for a surfcraft of the present invention;

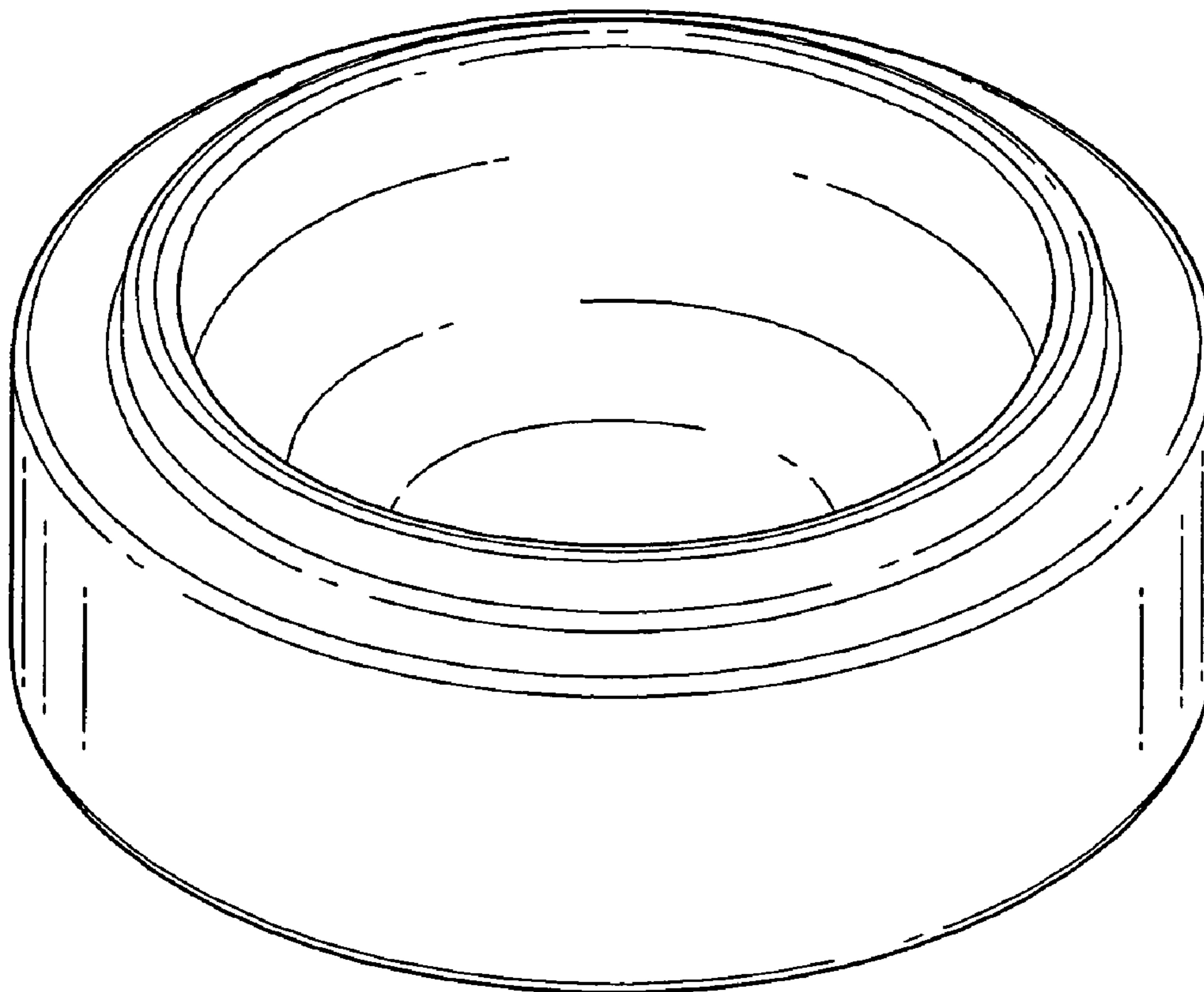
FIG. 2 is top plan view thereof;

FIG. 3 is a bottom plan view thereof;

FIG. 4 is a front elevational view thereof, the back elevational, the left side elevational and the right side elevational views each being a mirror image thereof; and,

FIG. 5 is a cross sectional view taken along the line and in the direction of arrows 5-5 of FIG. 2.

1 Claim, 4 Drawing Sheets



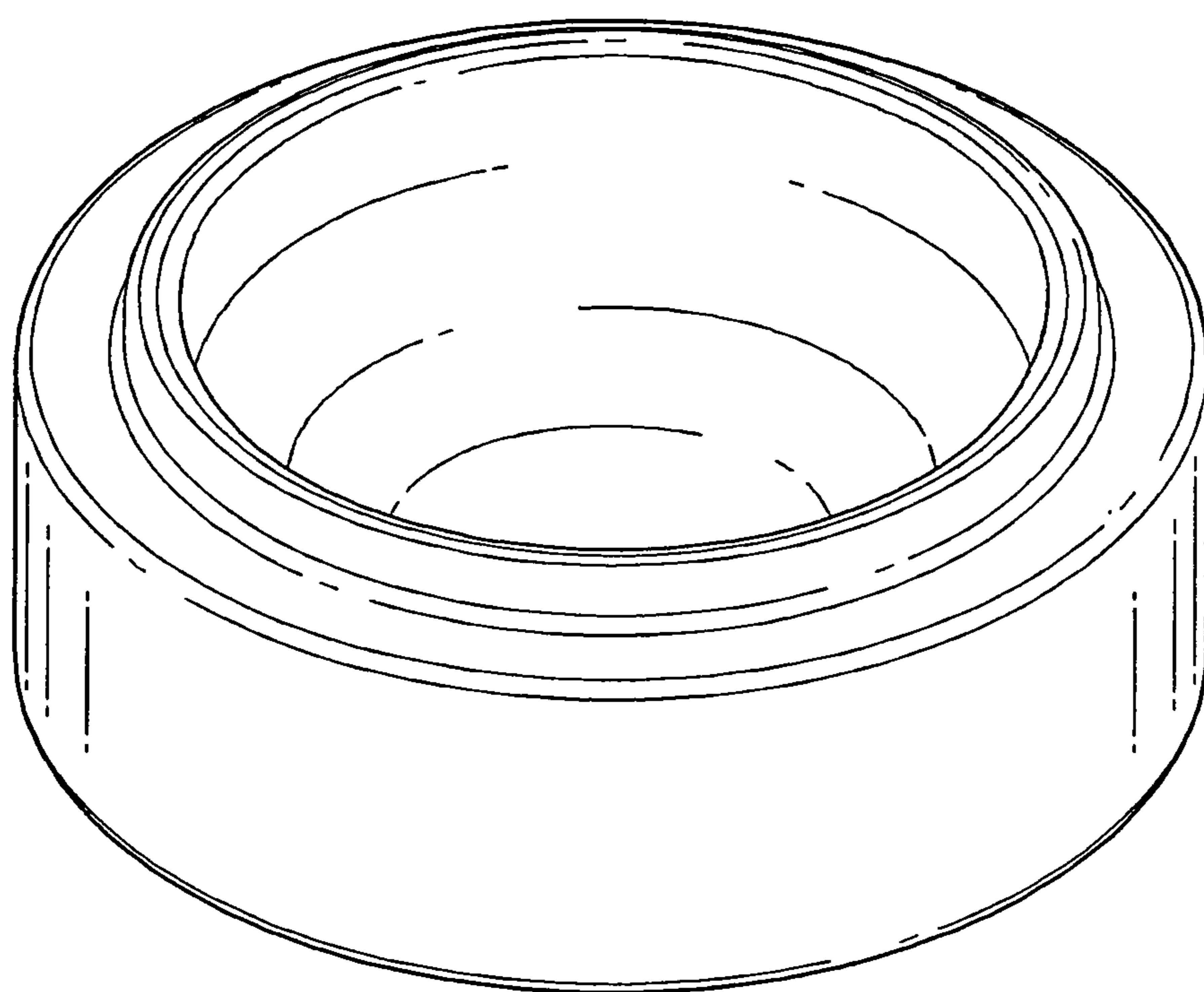


FIG. 1

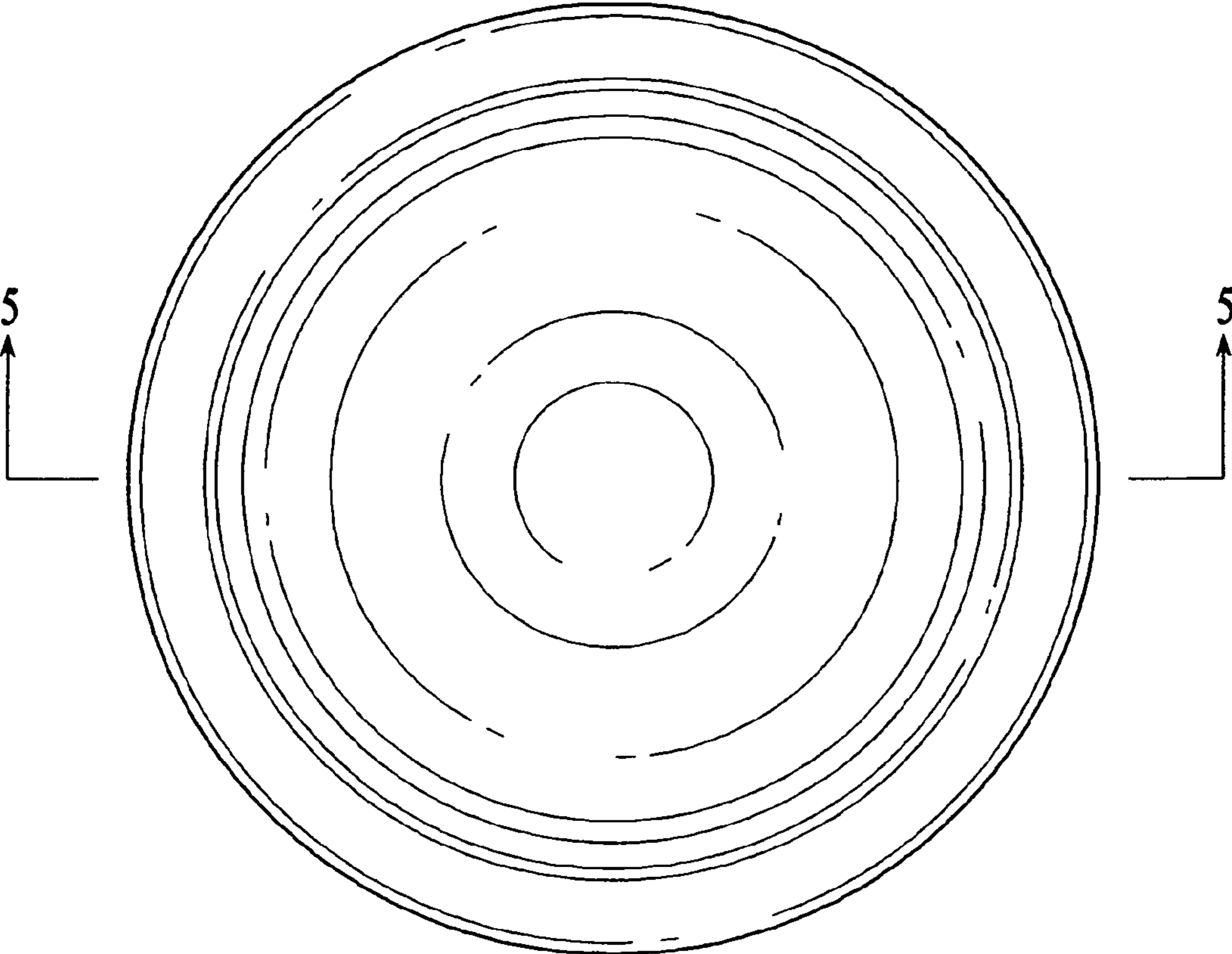


FIG. 2

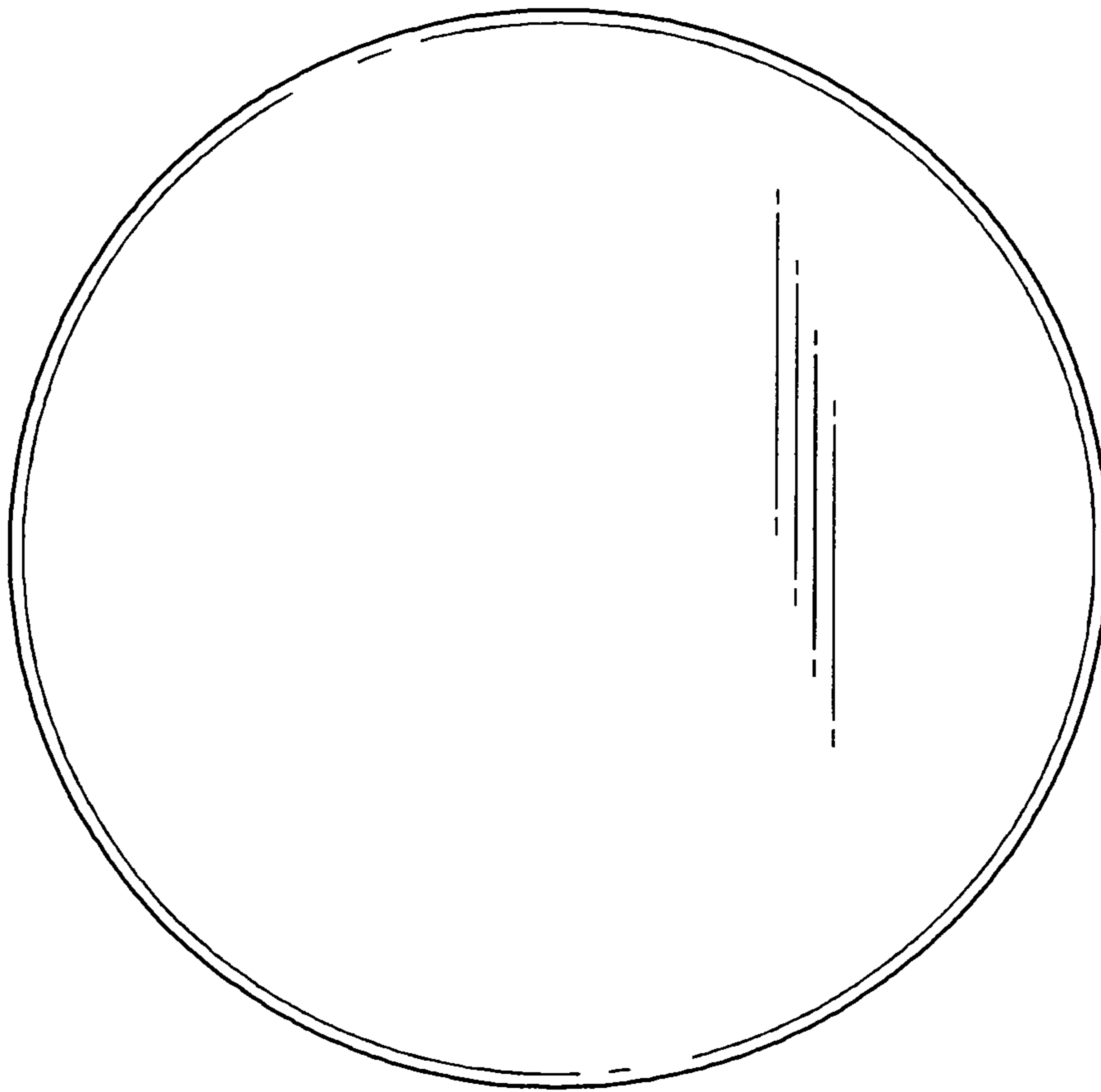


FIG. 3

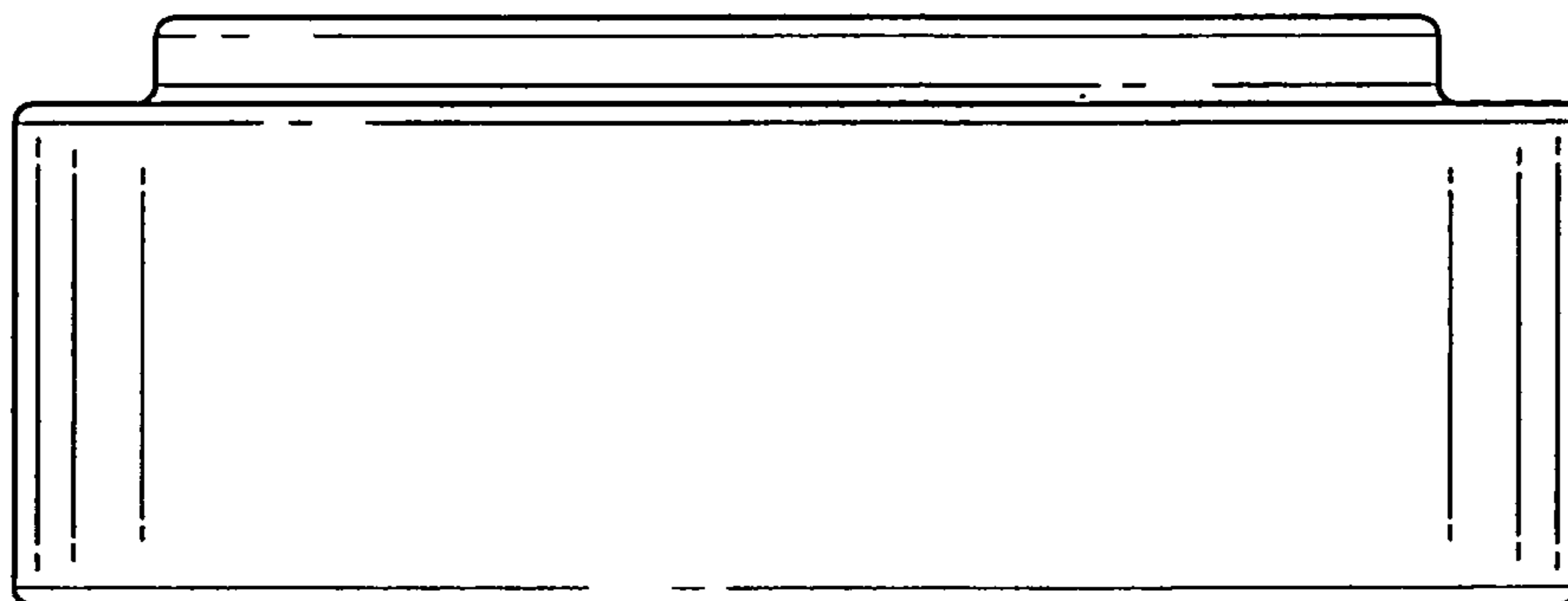


FIG. 4

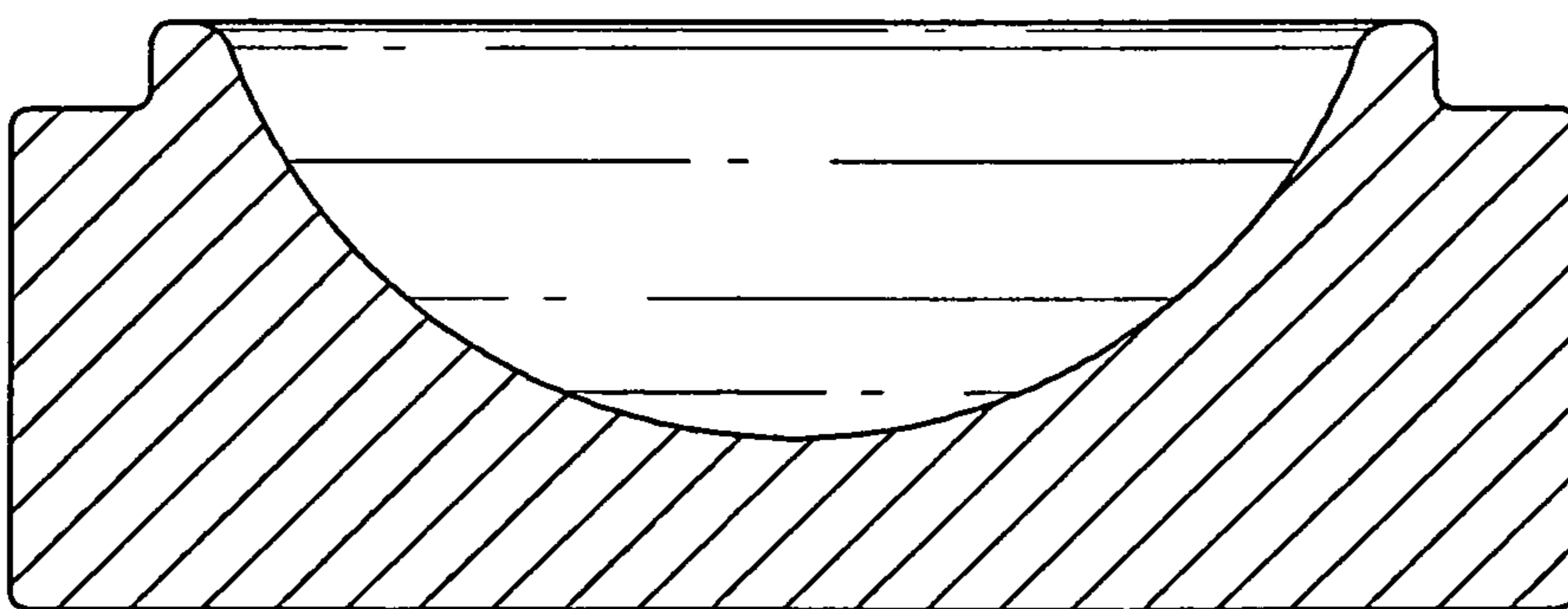


FIG. 5