

US00D690378S

(12) **United States Design Patent**
Rollinson

(10) **Patent No.:** **US D690,378 S**

(45) **Date of Patent:** **** Sep. 24, 2013**

(54) **PUTTER HEAD**

(75) **Inventor:** **Augustin W. Rollinson**, Carlsbad, CA
(US)

(73) **Assignee:** **Callaway Golf Company**, Carlsbad, CA
(US)

(**) **Term:** **14 Years**

(21) **Appl. No.:** **29/430,552**

(22) **Filed:** **Aug. 27, 2012**

(51) **LOC (9) Cl.** **21-02**

(52) **U.S. Cl.**
USPC **D21/743**

(58) **Field of Classification Search**
USPC D21/735-746, 759; 473/324-331,
473/340-341, 251-256

See application file for complete search history.

(56) **References Cited**

U.S. PATENT DOCUMENTS

D532,468 S *	11/2006	Hettinger	D21/743
D583,886 S *	12/2008	Cameron	D21/743
D588,657 S *	3/2009	Hettinger et al.	D21/744
D590,463 S *	4/2009	Hettinger et al.	D21/743
D634,801 S *	3/2011	Rollinson	D21/743

D641,057 S *	7/2011	Rollinson	D21/744
D641,440 S *	7/2011	Hettinger et al.	D21/743
D641,442 S *	7/2011	Rollinson	D21/744
D650,457 S *	12/2011	Rollinson	D21/743
D650,458 S *	12/2011	Rollinson	D21/744
D652,092 S *	1/2012	Rollinson	D21/743

* cited by examiner

Primary Examiner — Mitchell Siegel

(74) *Attorney, Agent, or Firm* — Rebecca Hanovice;
Michael A. Catania; Sonia Lari

(57) **CLAIM**

The ornamental design for a putter head, as shown and described.

DESCRIPTION

FIG. 1 is a rear perspective view of a putter head as claimed herein;

FIG. 2 is a rear view thereof;

FIG. 3 is a front view thereof;

FIG. 4 is a right side view thereof;

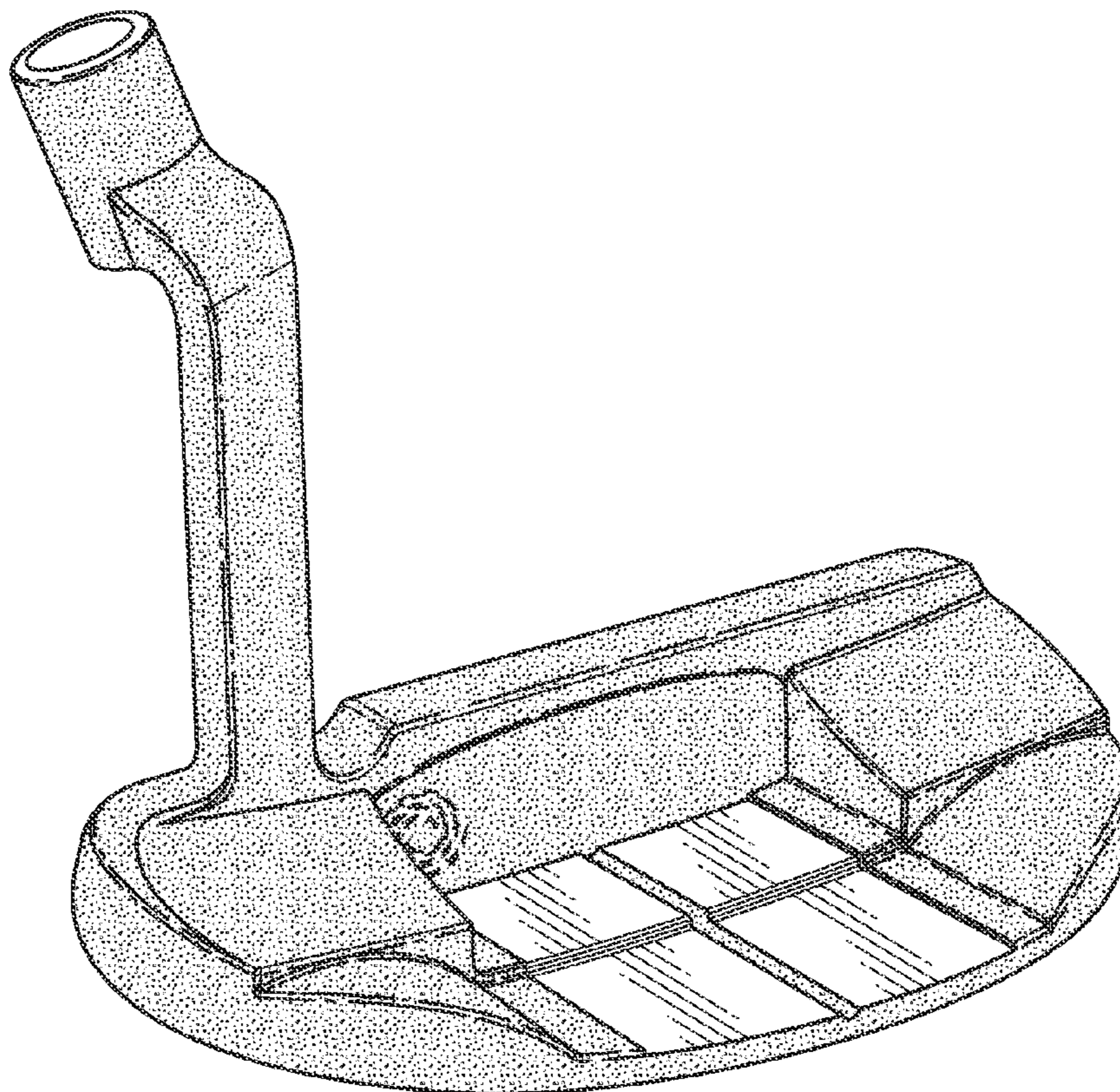
FIG. 5 is a left side view thereof;

FIG. 6 is a top plan view thereof; and,

FIG. 7 is a bottom plan view thereof.

The broken lines are included for the purpose of illustration and form no part of the claimed design.

1 Claim, 4 Drawing Sheets



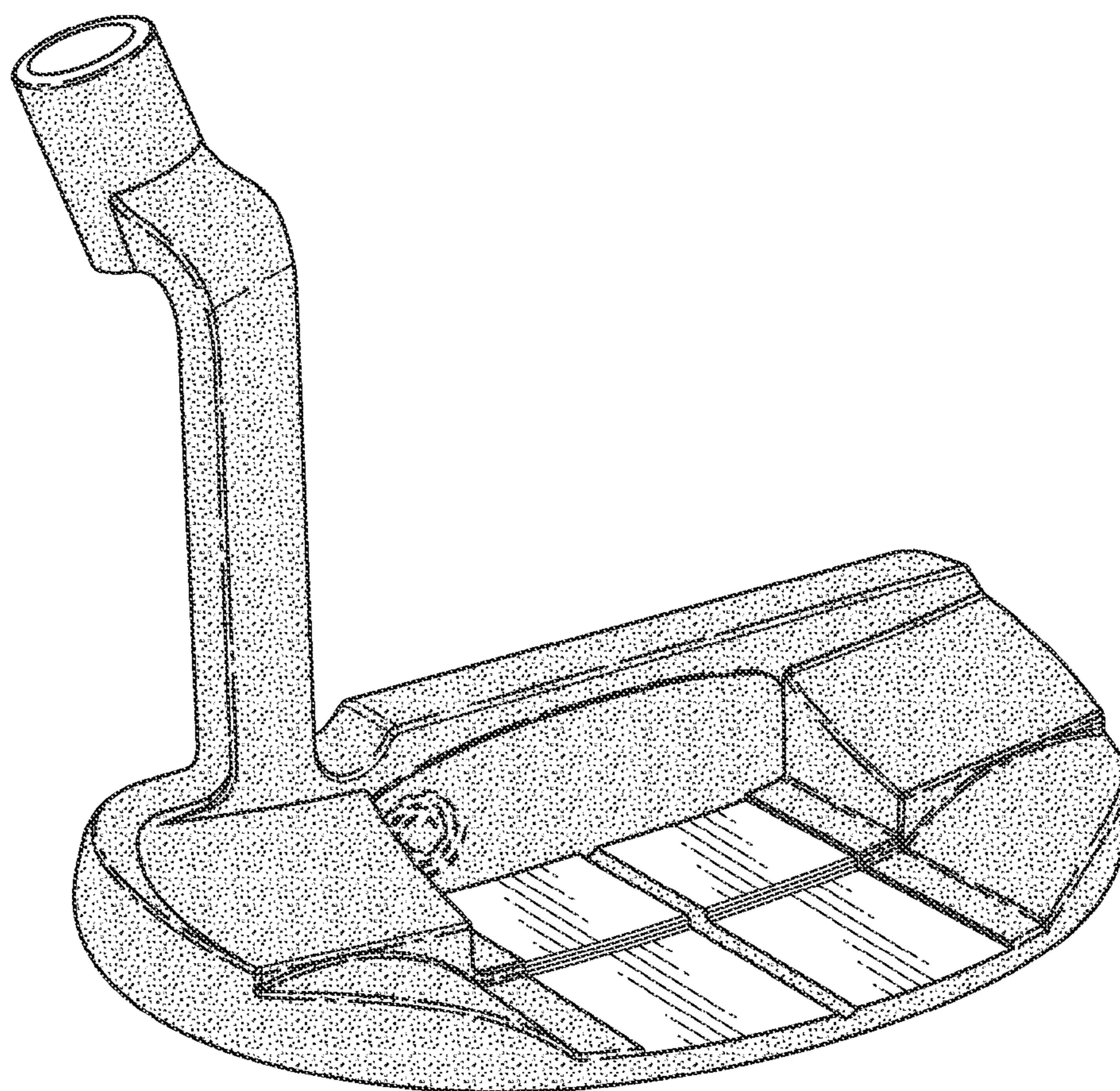


FIG. 1

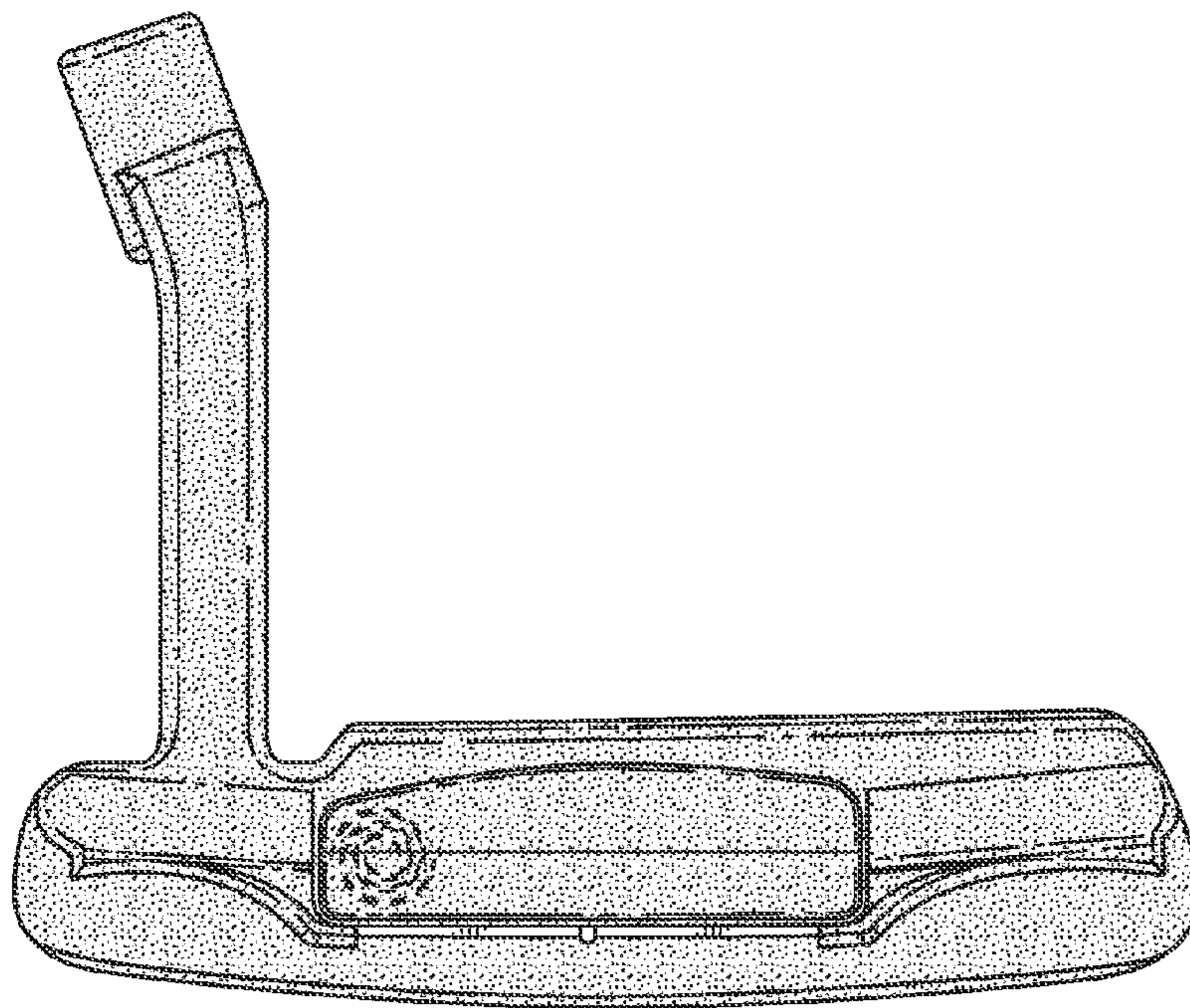


FIG. 2

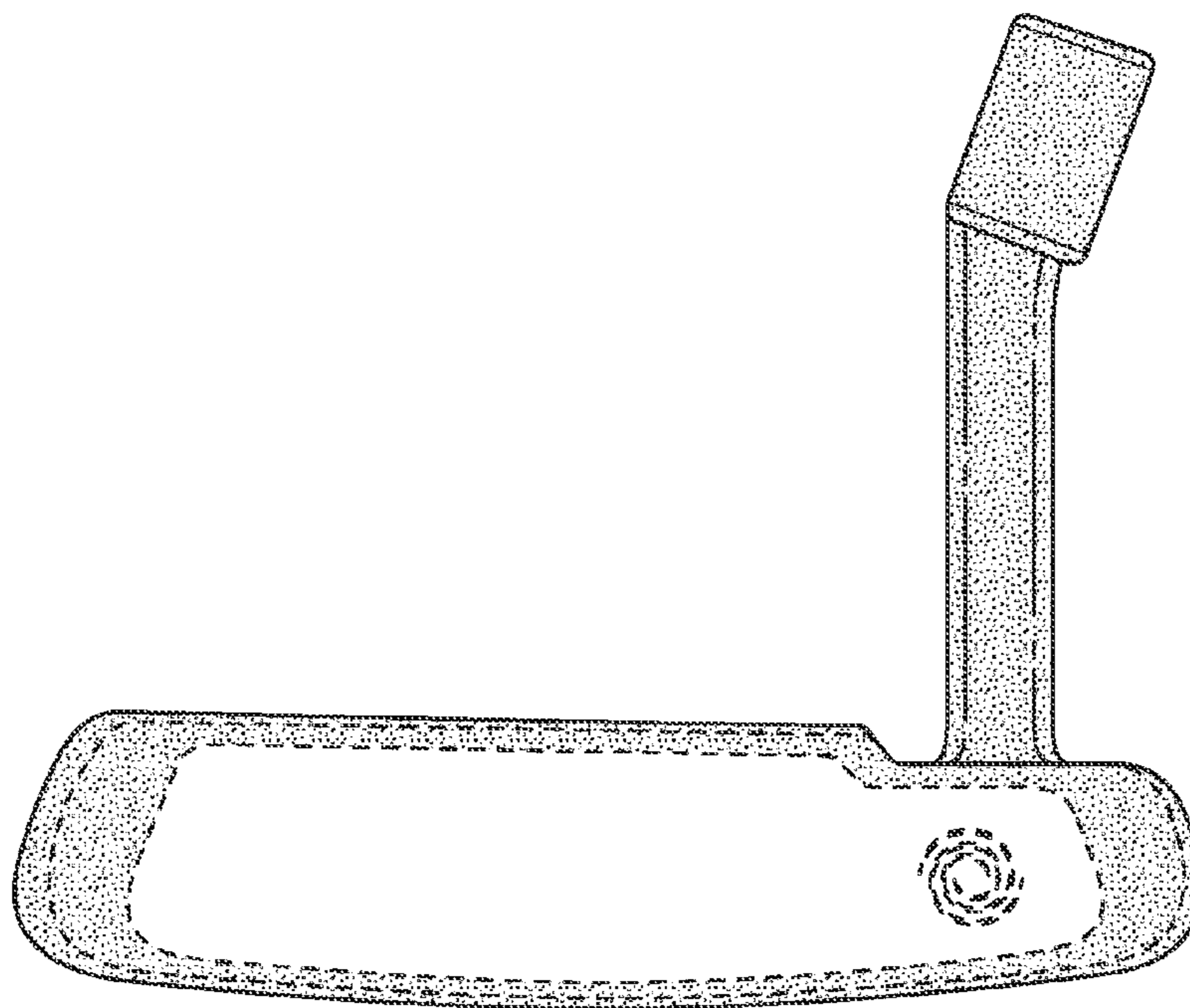


FIG. 3

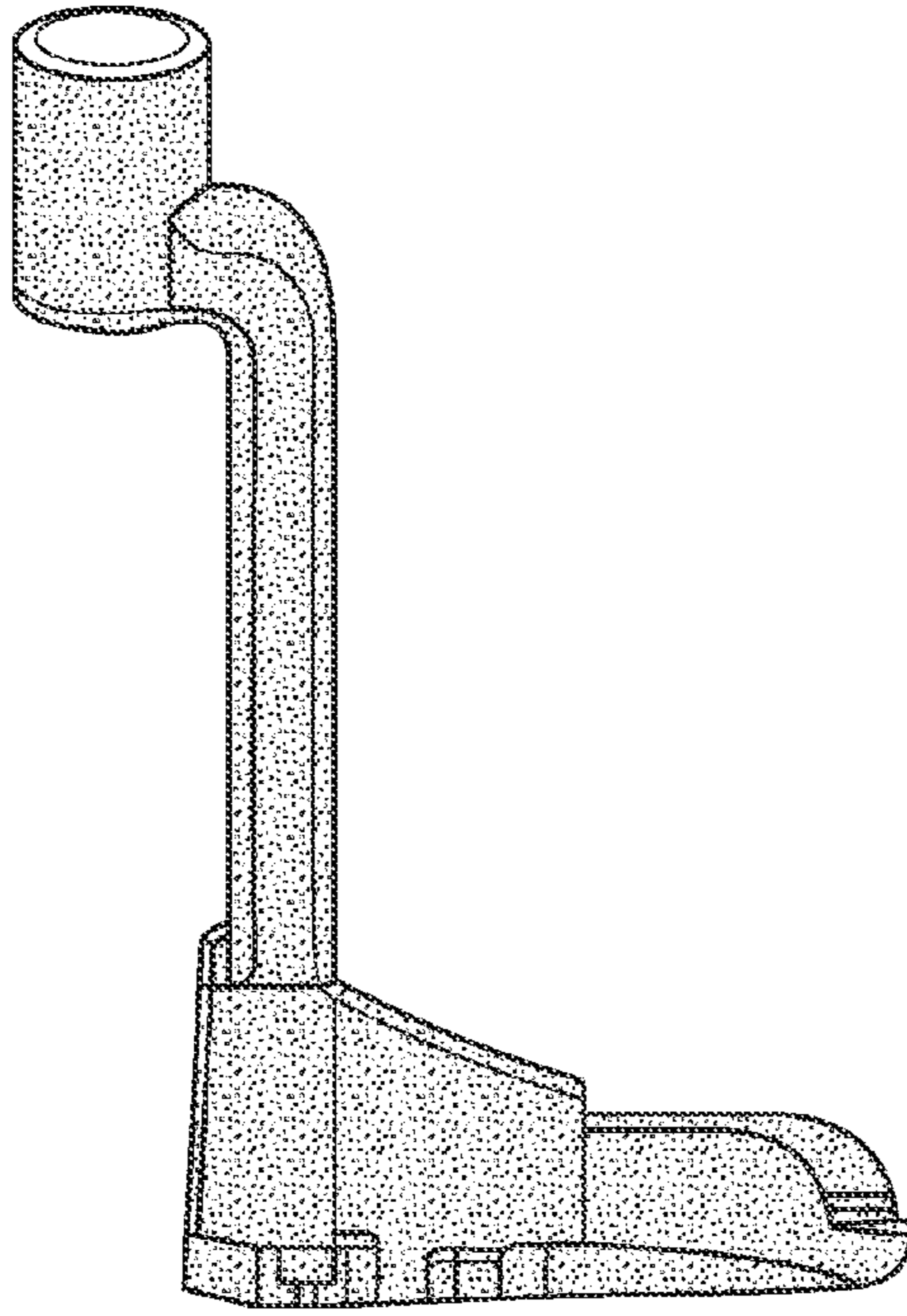


FIG. 4

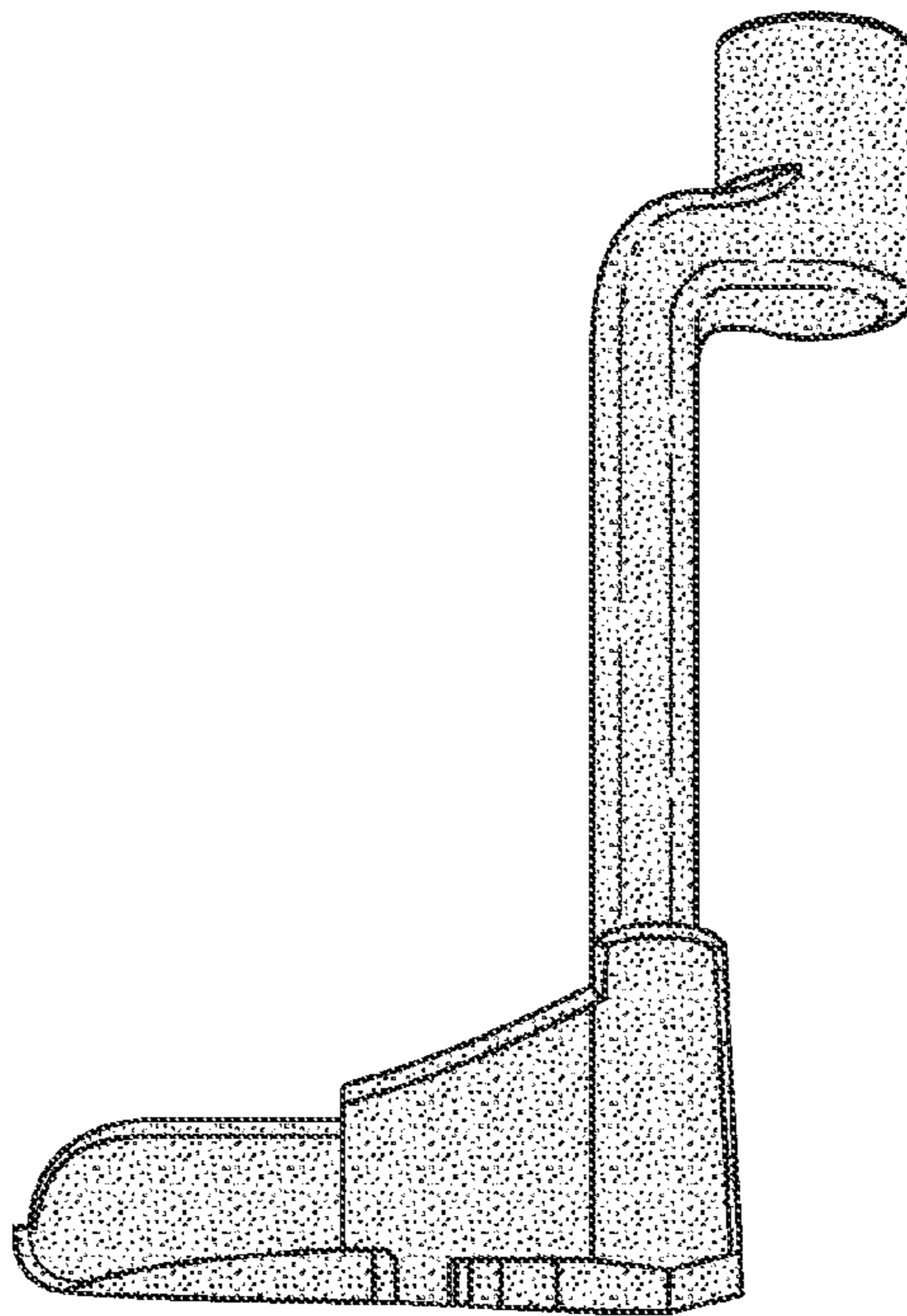


FIG. 5

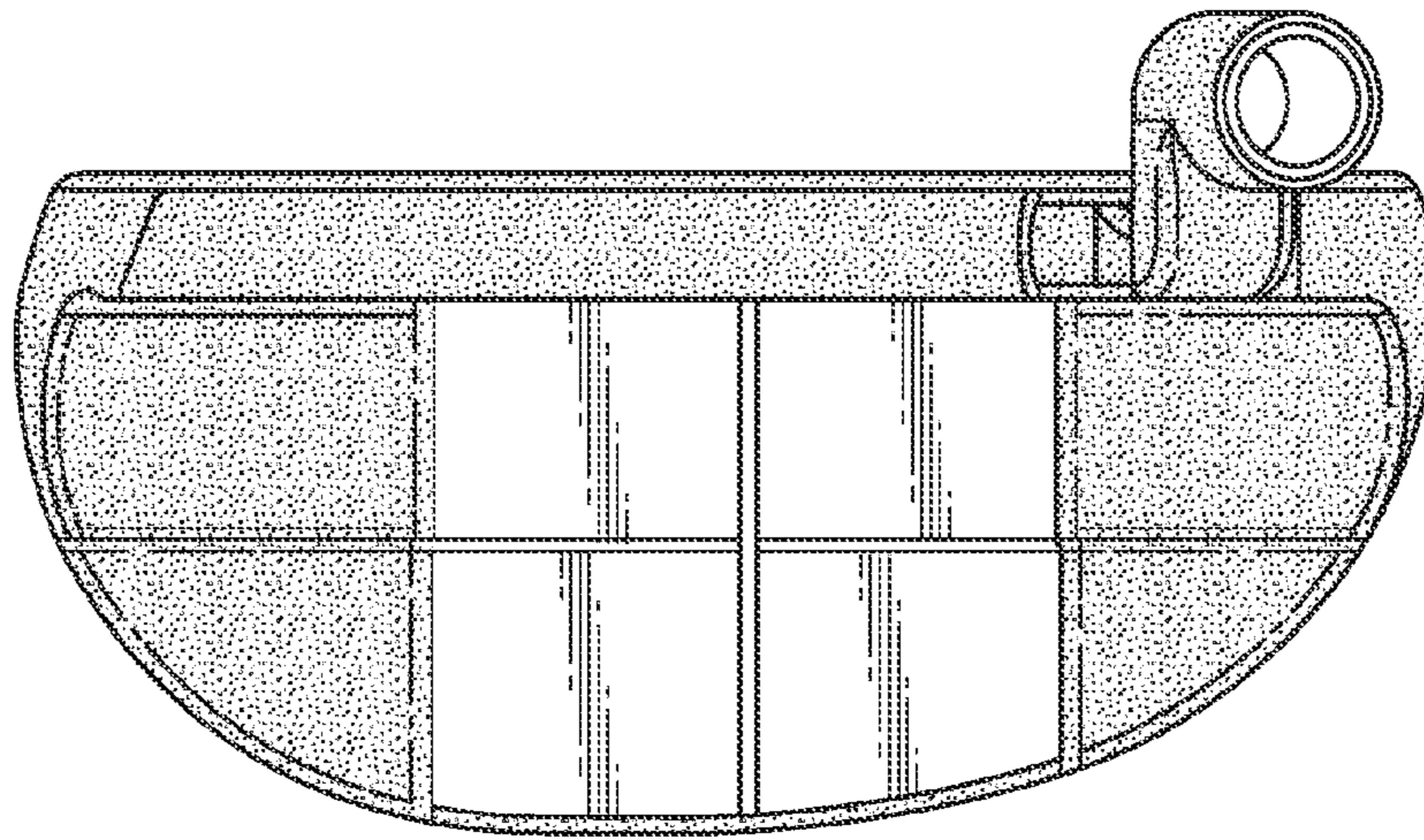


FIG. 6

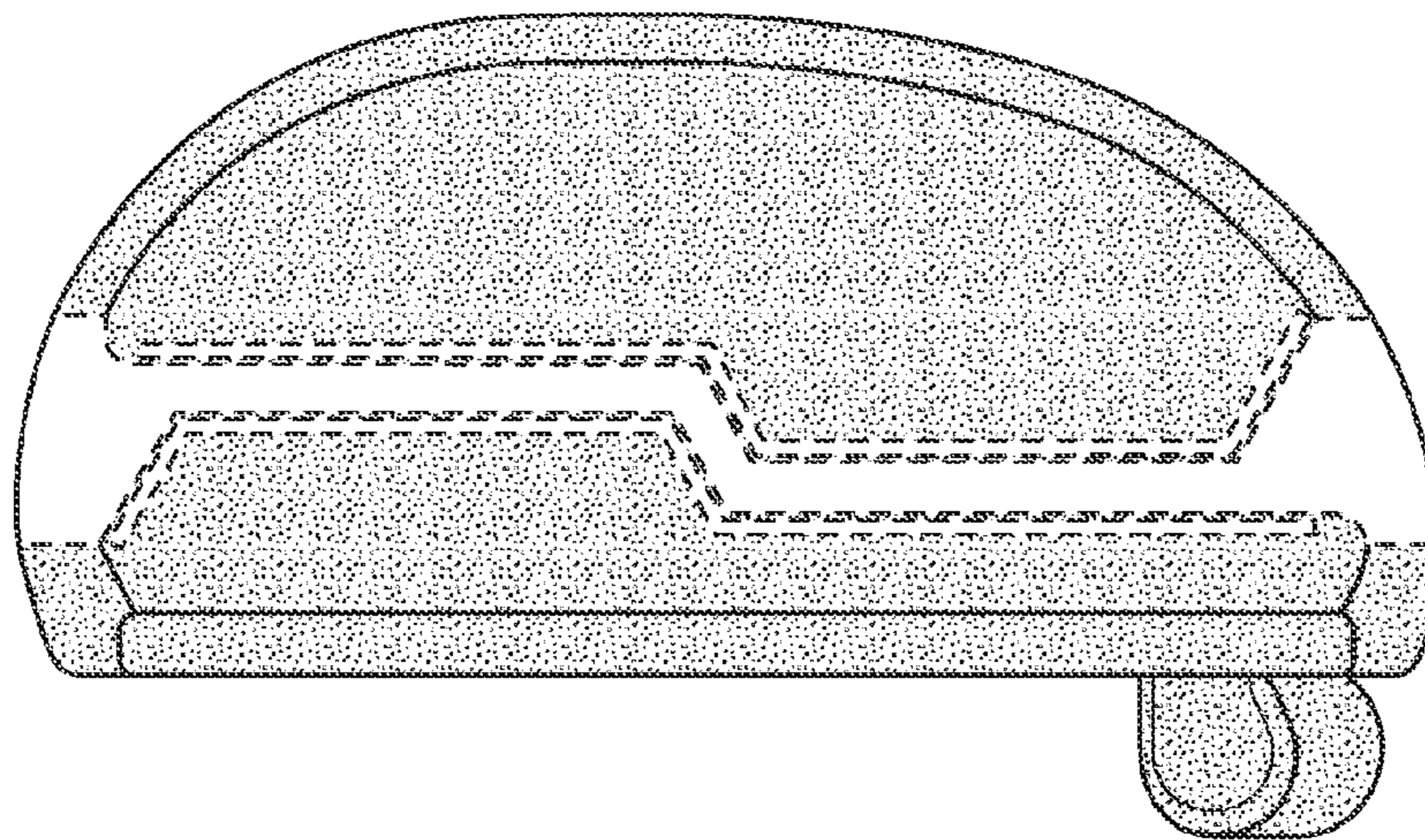


FIG. 7