



US00D690377S

(12) **United States Design Patent**
Cranke

(10) **Patent No.:** **US D690,377 S**

(45) **Date of Patent:** **** Sep. 24, 2013**

(54) **BALL**

(71) Applicant: **Christopher Cranke**, Upper Marlboro, MD (US)

(72) Inventor: **Christopher Cranke**, Upper Marlboro, MD (US)

(**) Term: **14 Years**

(21) Appl. No.: **29/443,197**

(22) Filed: **Jan. 14, 2013**

Related U.S. Application Data

(62) Division of application No. 29/394,006, filed on Jun. 12, 2011, now Pat. No. Des. 675,268.

(51) **LOC (9) Cl.** **21-02**

(52) **U.S. Cl.**
USPC **D21/713; D21/714**

(58) **Field of Classification Search**
USPC D21/707-714; 446/220-226, 486;
40/327; 428/11; 473/569-577, 593-615,
473/FOR. 134-FOR. 167
See application file for complete search history.

(56) **References Cited**

U.S. PATENT DOCUMENTS

D95,034 S *	4/1935	Frederick	D21/713
D234,213 S *	1/1975	Anderson	D21/713
D248,986 S *	8/1978	Nakata	D21/713
4,345,759 A *	8/1982	Nims	473/569
4,944,455 A *	7/1990	Haust et al.	239/59

D365,862 S *	1/1996	Shishido et al.	D21/713
D471,608 S *	3/2003	Hettinger et al.	D21/708
D487,911 S *	3/2004	Cheney	D21/713
D511,191 S *	11/2005	Fryer	D21/713
D511,551 S *	11/2005	Llewellyn	D21/713
7,041,015 B2 *	5/2006	Sowers	473/422
D531,240 S *	10/2006	Geisendorfer	D21/713
D583,427 S *	12/2008	Saghir	D21/713
7,828,681 B2 *	11/2010	Geisendorfer	473/596
7,963,869 B2 *	6/2011	Boyer et al.	473/604
2006/0046879 A1 *	3/2006	Kelly et al.	473/603
2007/0010360 A1 *	1/2007	Chang	473/598

FOREIGN PATENT DOCUMENTS

CN	3321124	*	9/2003
CN	3417514	*	1/2005
EM	000351523-0001	*	7/2005

* cited by examiner

Primary Examiner — Catherine Tuttle

(74) *Attorney, Agent, or Firm* — QuickPatents; Kevin Prince

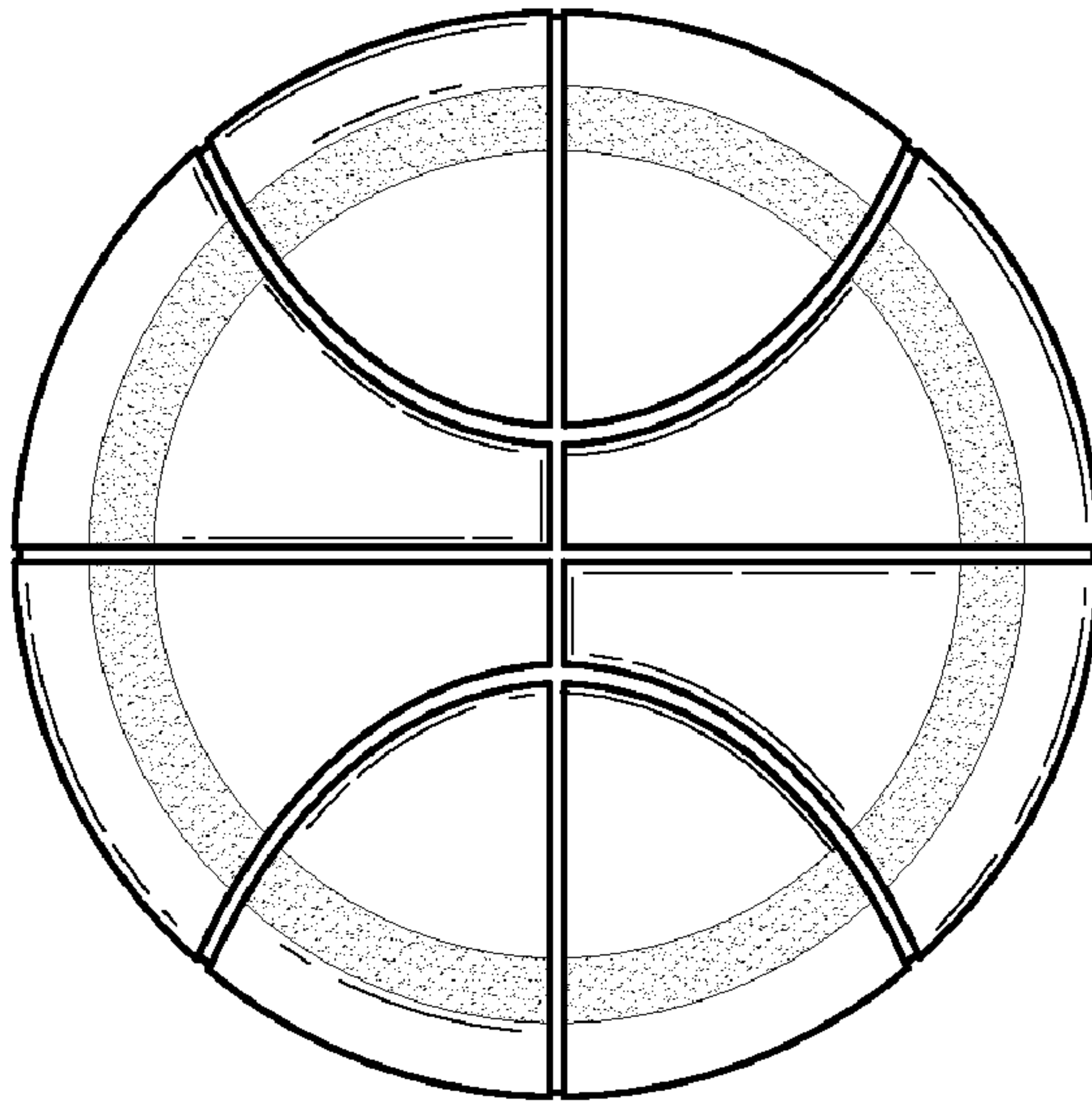
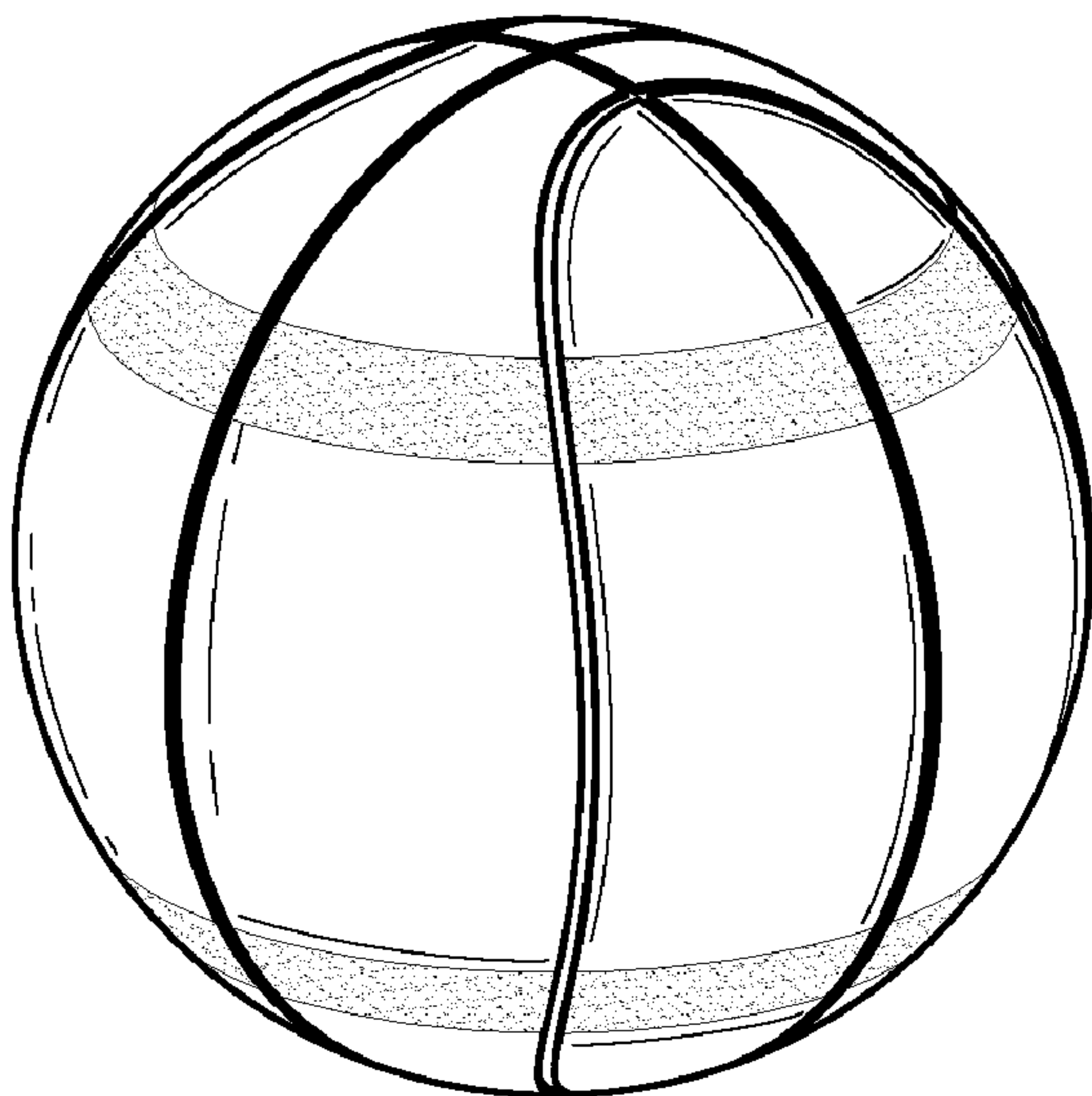
(57) **CLAIM**

I claim the ornamental design for a ball, as shown and described.

DESCRIPTION

FIG. 1 is a perspective view of a ball, showing my new design; FIG. 2 is a front elevational view thereof, the rear elevational view being identical thereto; FIG. 3 is a top plan view thereof, the bottom plan view being identical thereto; and, FIG. 4 is a left-side elevational view thereof, the right-side elevational view being identical thereto.

1 Claim, 1 Drawing Sheet



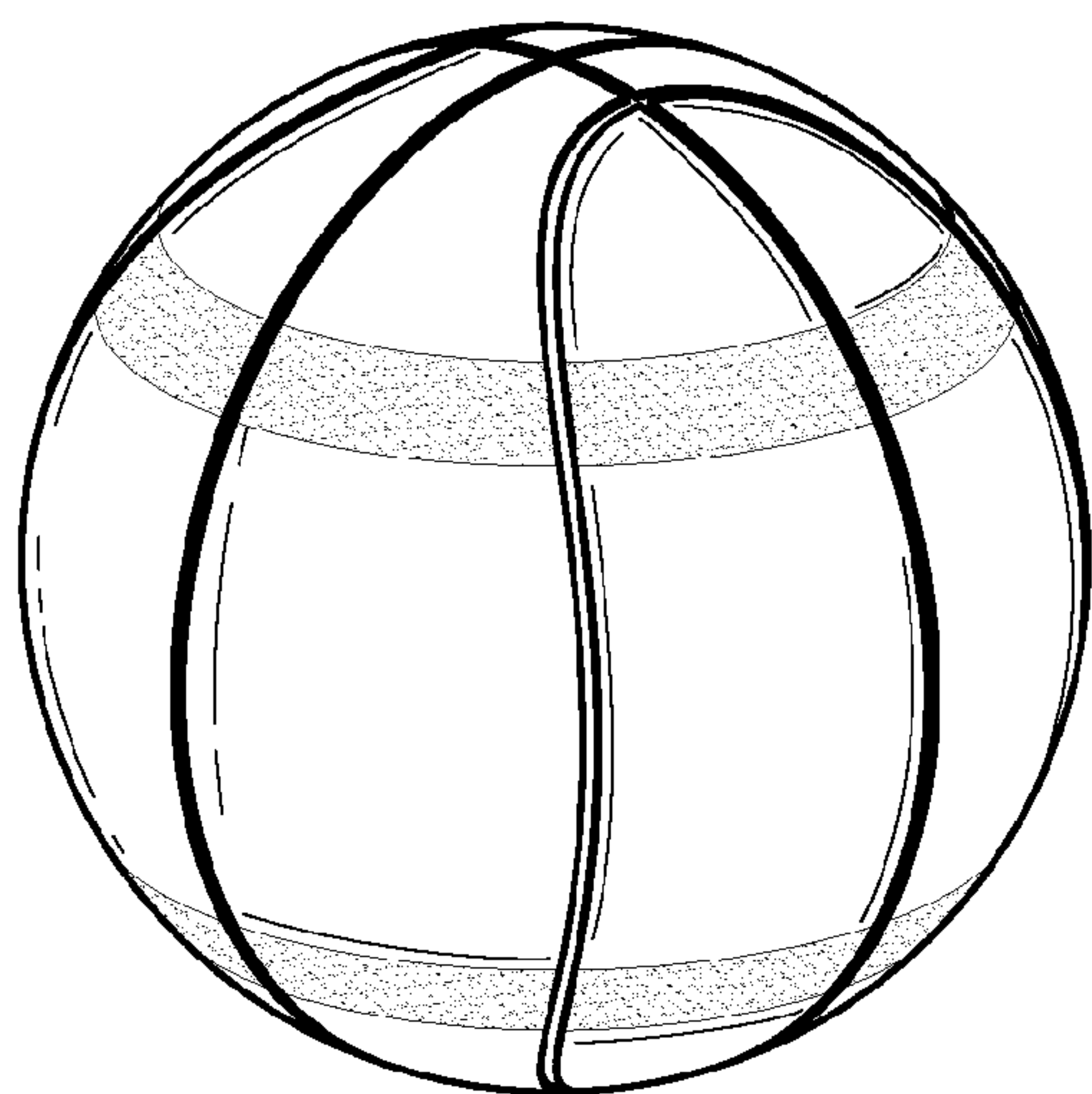


FIG. 1

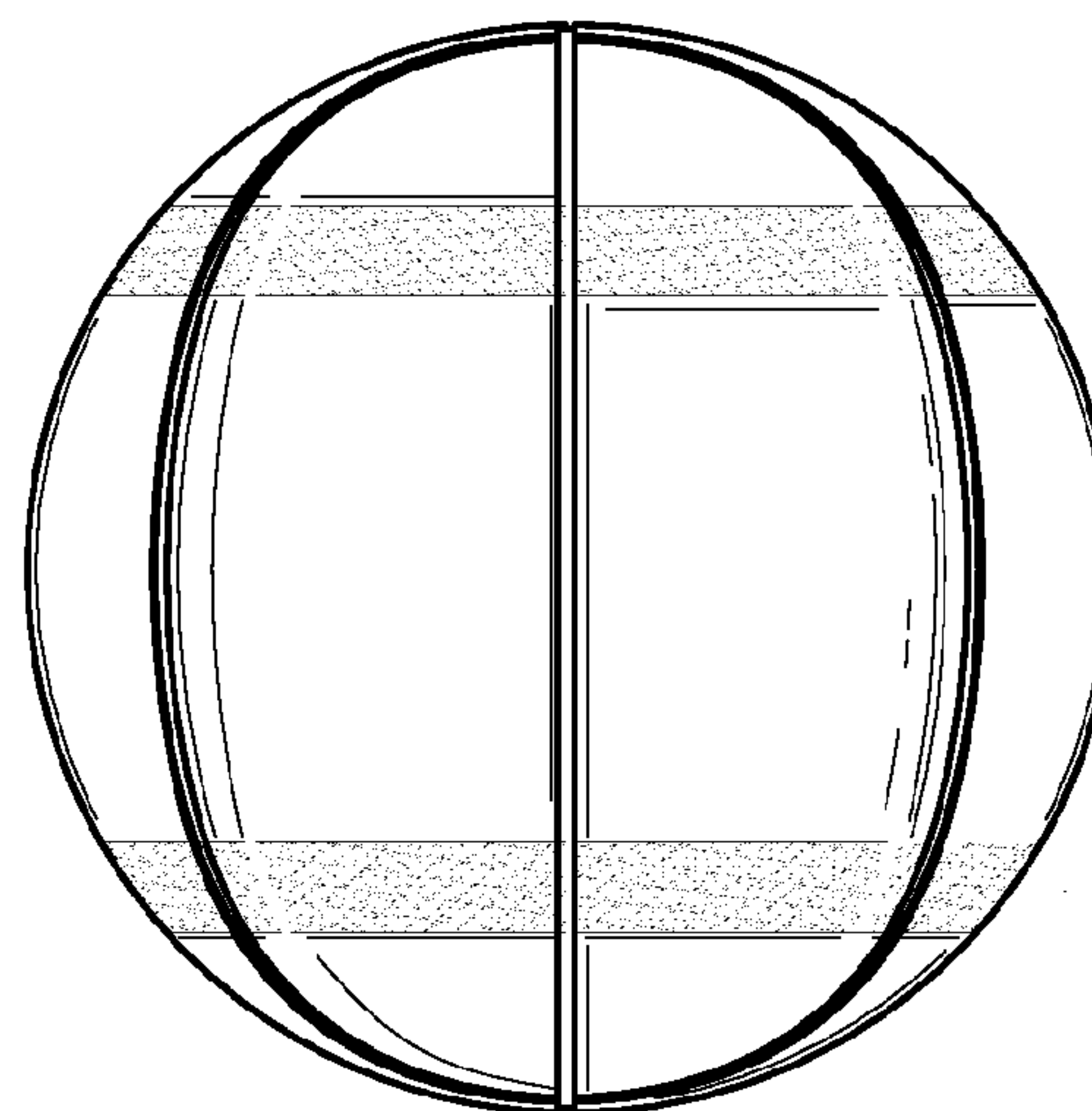


FIG. 2

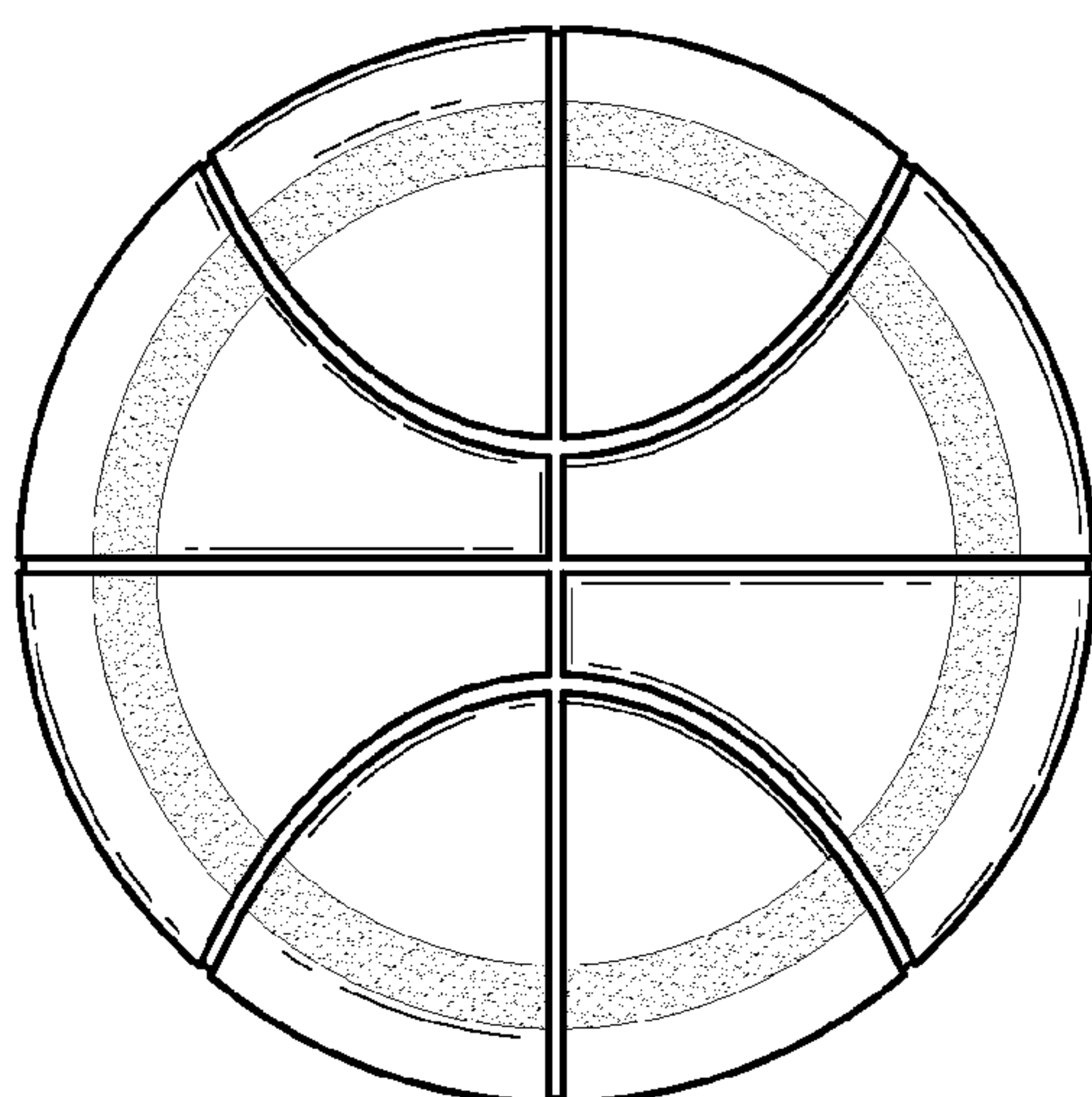


FIG. 3

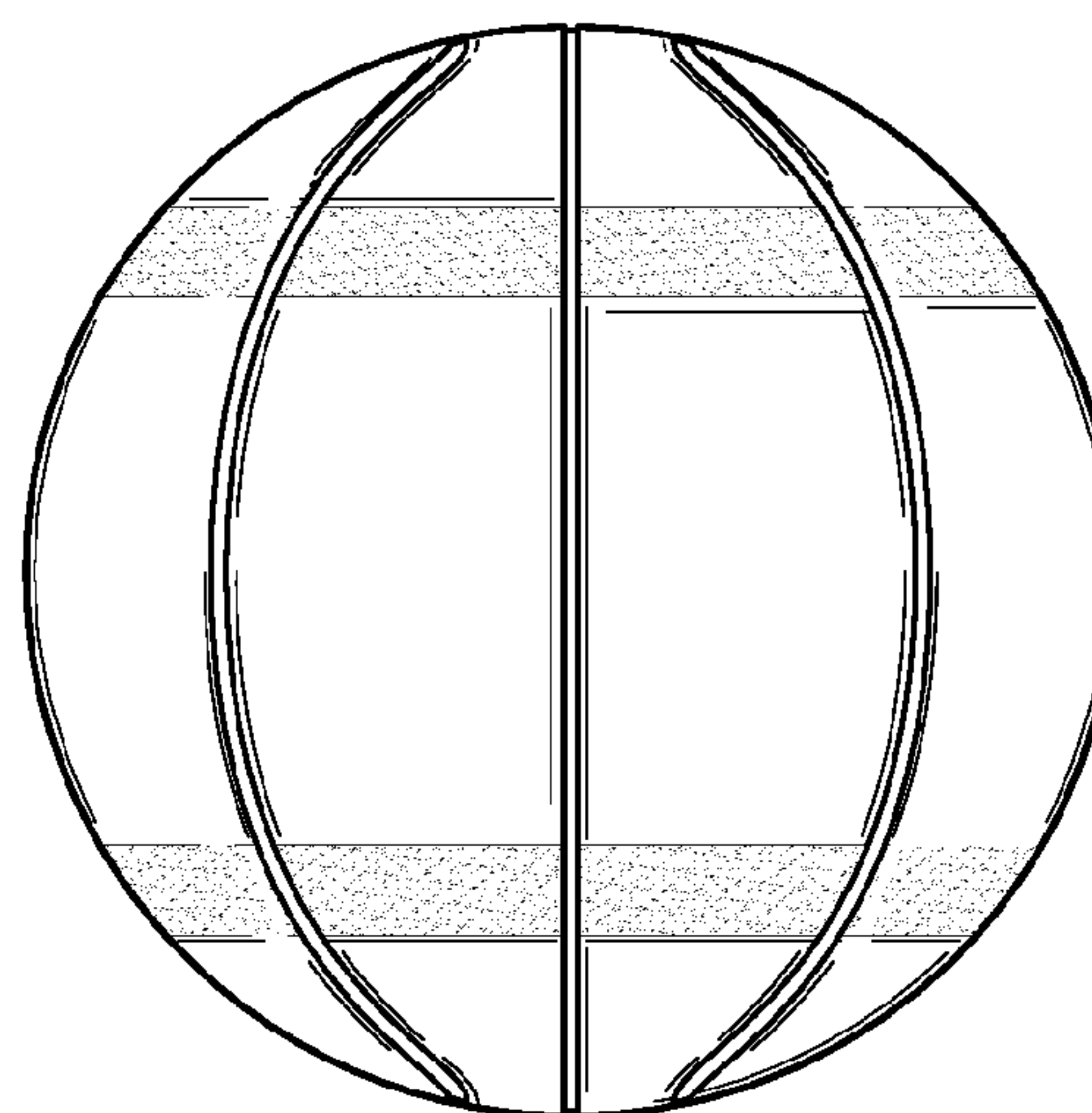


FIG. 4