



US00D690376S

(12) **United States Design Patent**
Silverglate

(10) **Patent No.:** **US D690,376 S**

(45) **Date of Patent:** **** Sep. 24, 2013**

(54) **TOY BALL**

(75) **Inventor:** **David E. Silverglate**, Santa Cruz, CA
(US)

(73) **Assignee:** **Got I, LLC**

(**) **Term:** **14 Years**

(21) **Appl. No.:** **29/427,664**

(22) **Filed:** **Jul. 20, 2012**

(51) **LOC (9) Cl.** **21-01**

(52) **U.S. Cl.**
USPC **D21/712**

(58) **Field of Classification Search**
USPC D21/707-714, 121, 125; D30/160;
473/569-615; 428/11; 446/34, 431, 437,
446/486, 487; 119/707-711

See application file for complete search history.

(56) **References Cited**

U.S. PATENT DOCUMENTS

1,641,382	A *	9/1927	Goldsmith	473/611
D74,569	S *	2/1928	Kafka	D21/714
2,211,330	A *	8/1940	Hochberg	273/118 D
2,270,553	A *	1/1942	Potito	473/596
3,940,133	A *	2/1976	Civita	473/424
5,228,687	A *	7/1993	Luecke et al.	473/596
5,316,293	A *	5/1994	Hamilton	473/570
5,611,532	A *	3/1997	Forrest, Sr.	473/576
6,251,035	B1 *	6/2001	Fa	473/570
D479,897	S *	9/2003	Willinger	D30/160

D489,494	S *	5/2004	Silverglate	D30/160
6,729,984	B2 *	5/2004	Silverglate	473/612
6,908,662	B2 *	6/2005	Pearce	428/188
D536,757	S *	2/2007	Hedeen, Jr.	D21/712
D576,235	S *	9/2008	Zawitz	D21/712
D637,666	S *	5/2011	Erickson et al.	D21/712
D639,360	S *	6/2011	Lederman et al.	D21/712
8,029,393	B2 *	10/2011	Frazier	473/594
8,382,618	B2 *	2/2013	Lo	473/596
2007/0161440	A1 *	7/2007	Chang	473/603
2009/0170643	A1 *	7/2009	Silverglate	473/567
2009/0191990	A1 *	7/2009	Smith	473/570
2010/0035710	A1 *	2/2010	Smith	473/570
2011/0212798	A1 *	9/2011	Zawitz	473/570

* cited by examiner

Primary Examiner — Catherine Tuttle

(74) *Attorney, Agent, or Firm* — Joseph W. Staley; Katherine D. Buchanan

(57) **CLAIM**

The ornamental design for a toy ball, substantially as shown and described.

DESCRIPTION

FIG. 1 is a perspective view of a toy ball, embodying the new design;

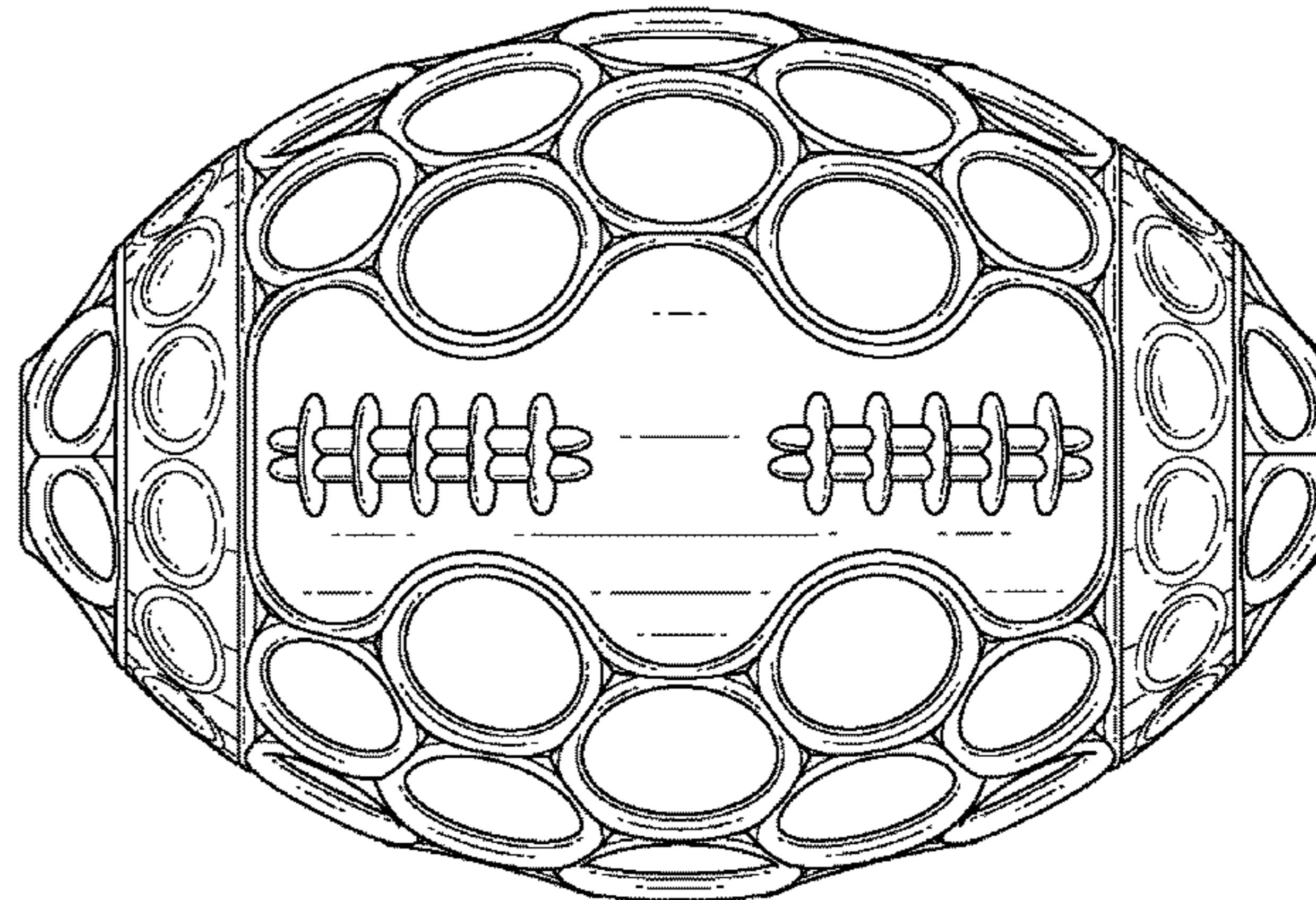
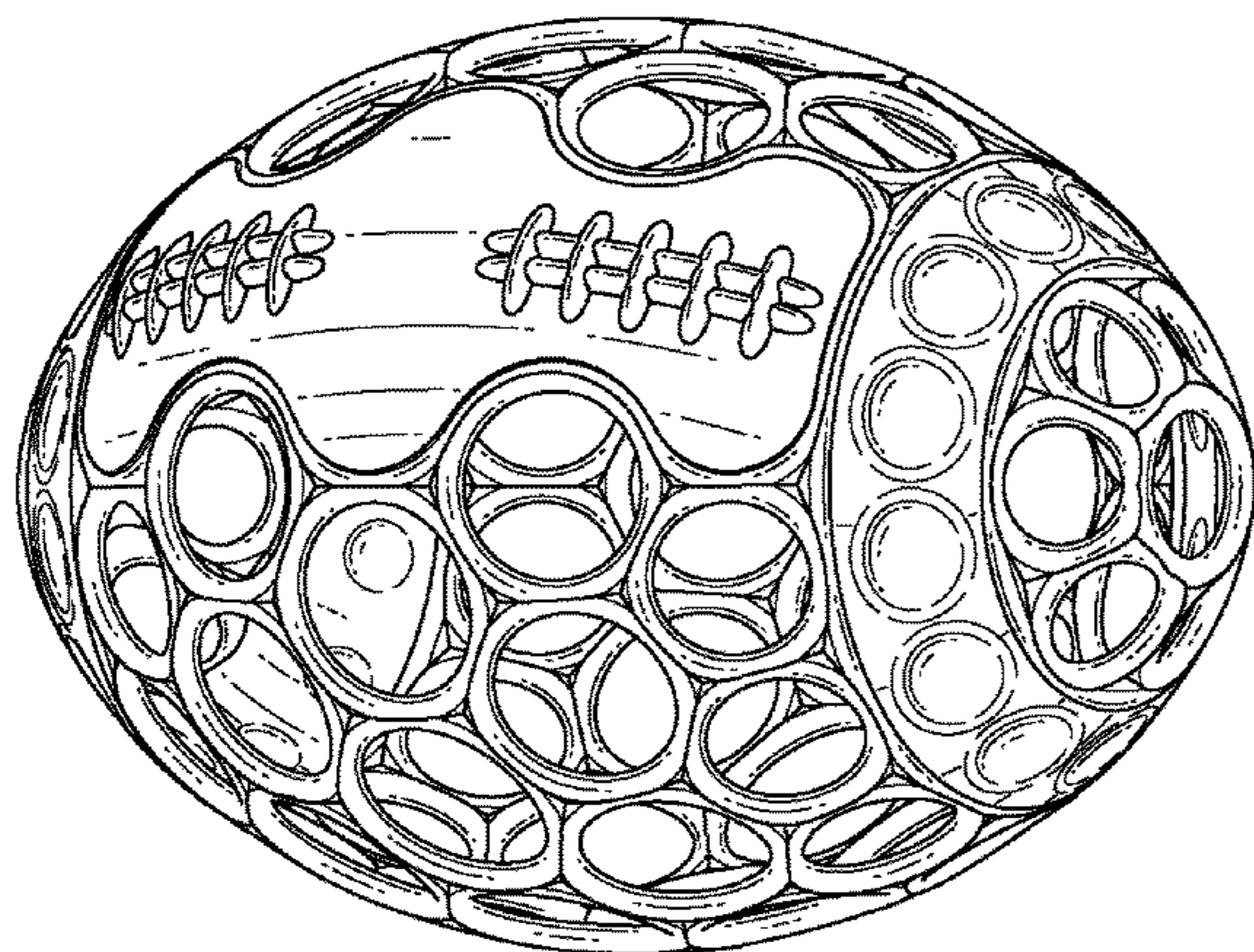
FIG. 2 is a top view of the toy ball of FIG. 1;

FIG. 3 is a front view of the toy ball of FIG. 1, the rear view being substantially identical thereto;

FIG. 4 is a bottom view of the toy ball of FIG. 1; and,

FIG. 5 is a first side view of the toy ball of FIG. 1, the opposite side being substantially identical thereto.

1 Claim, 3 Drawing Sheets



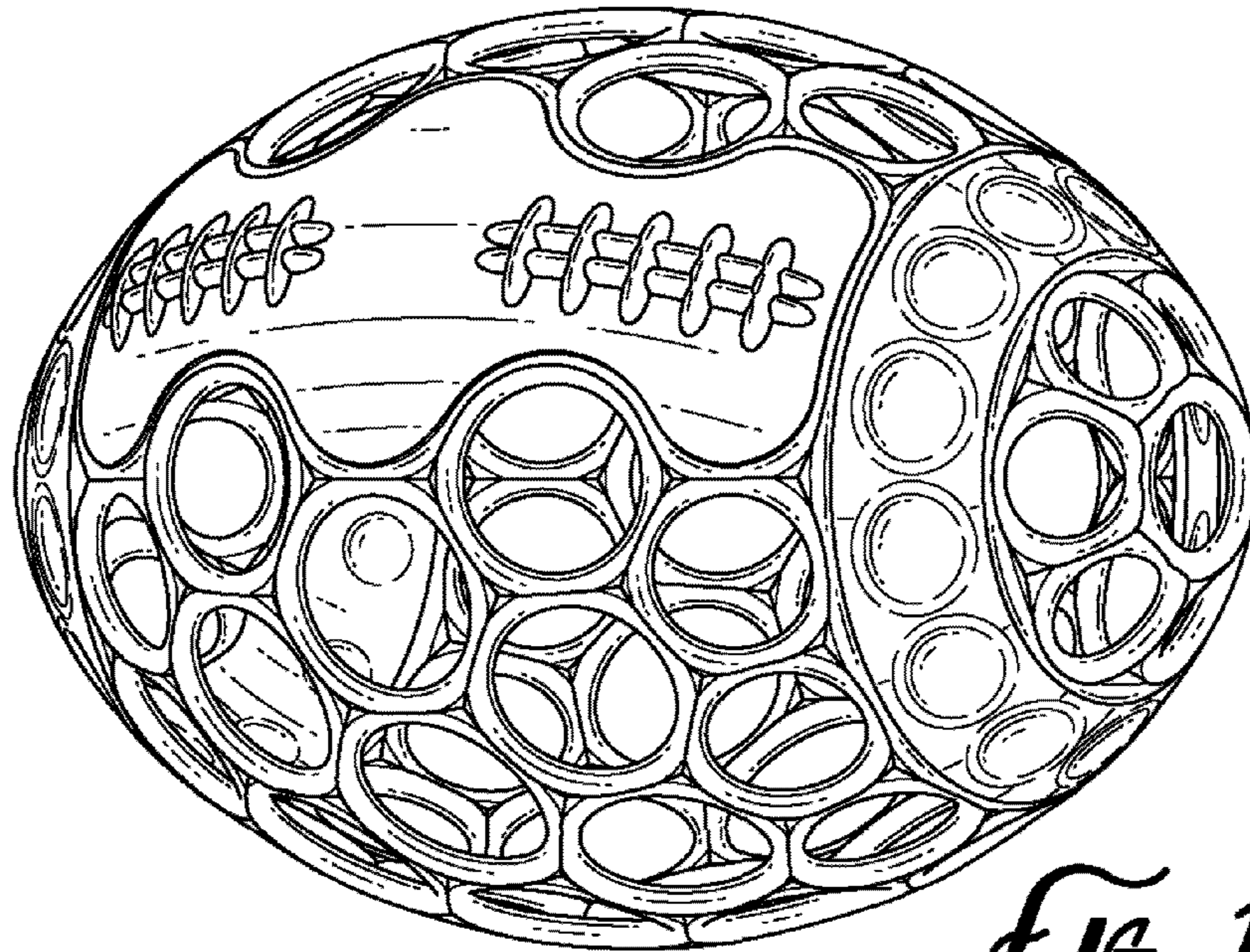


FIG. 1

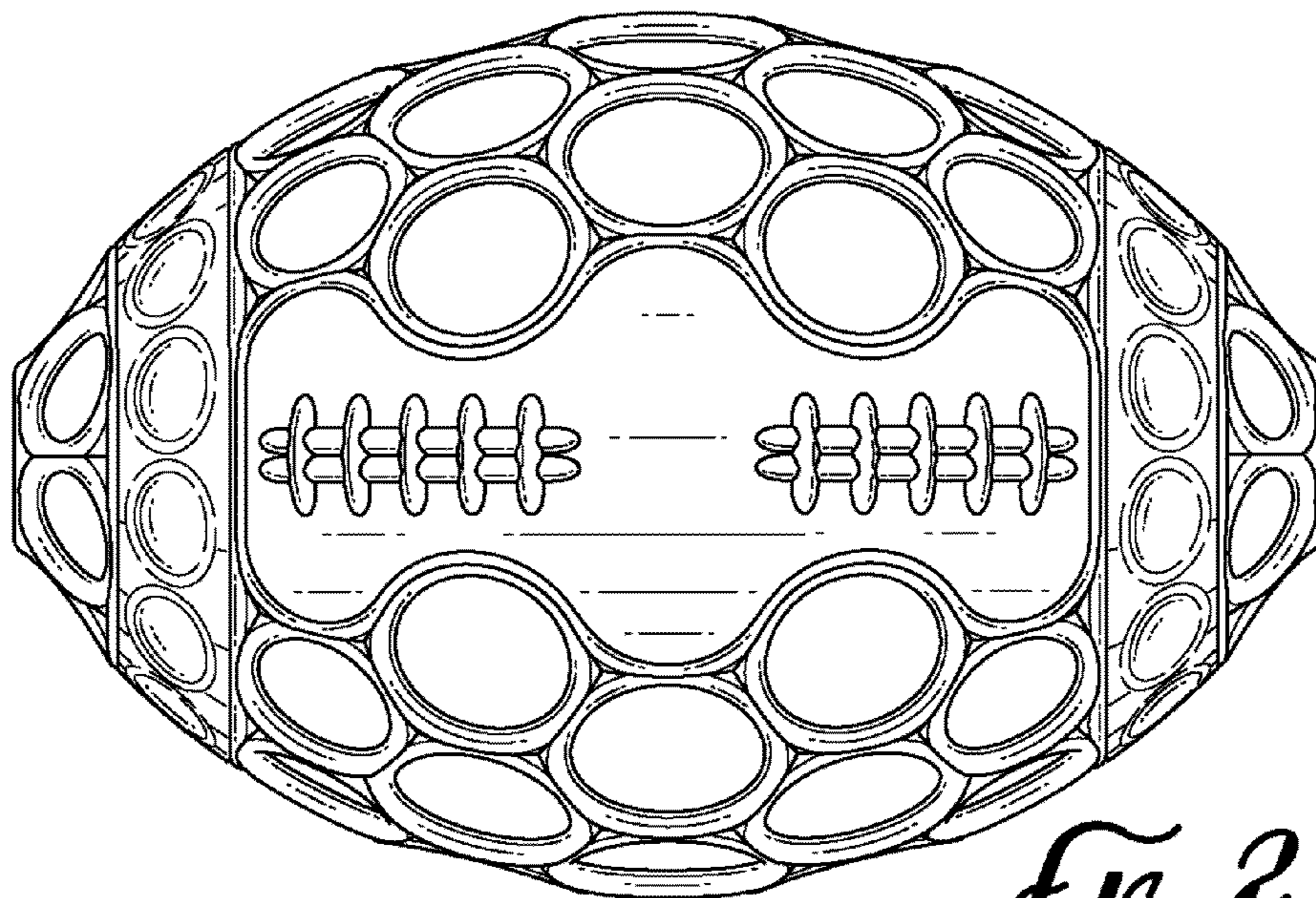


FIG. 2

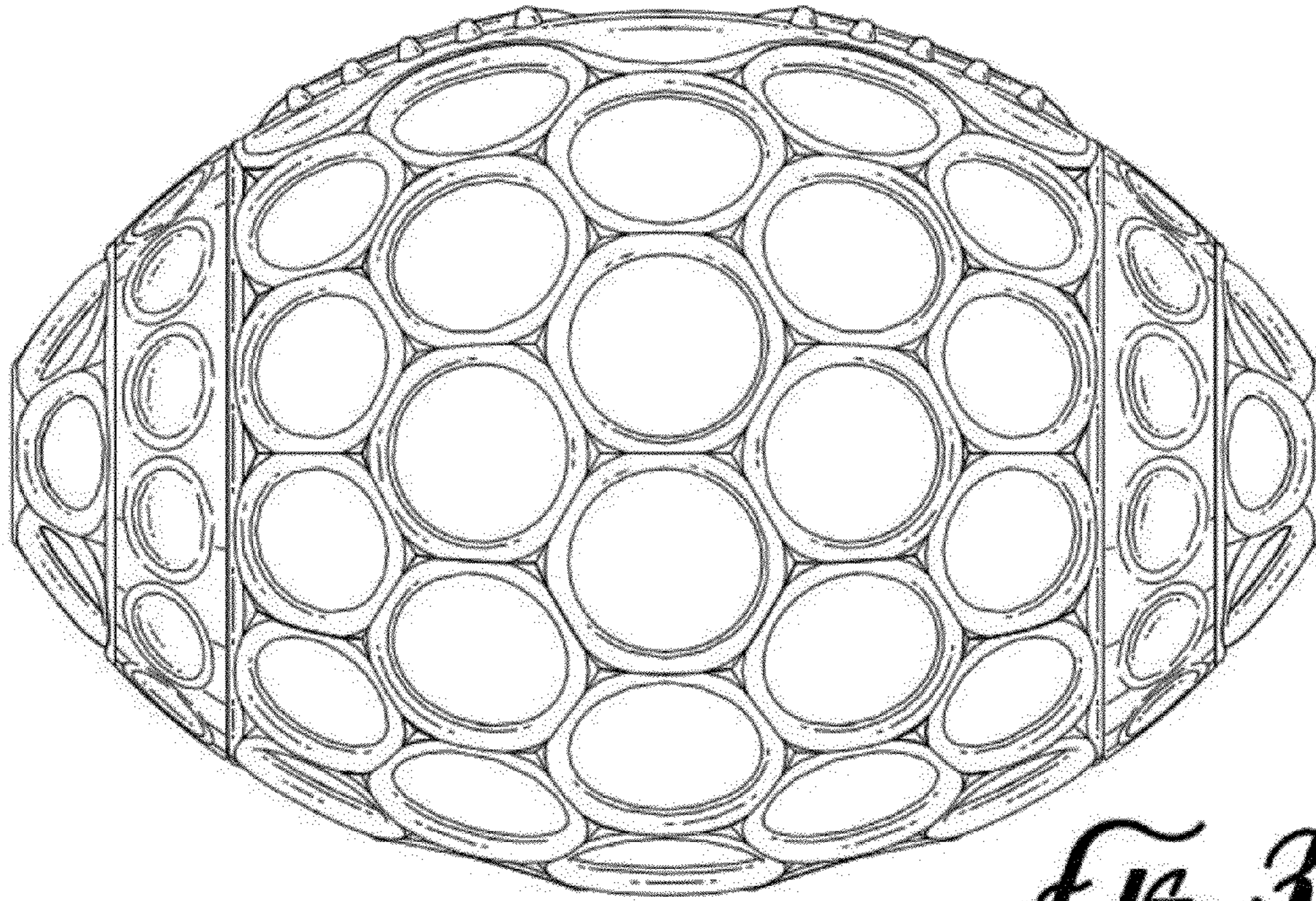


FIG. 3

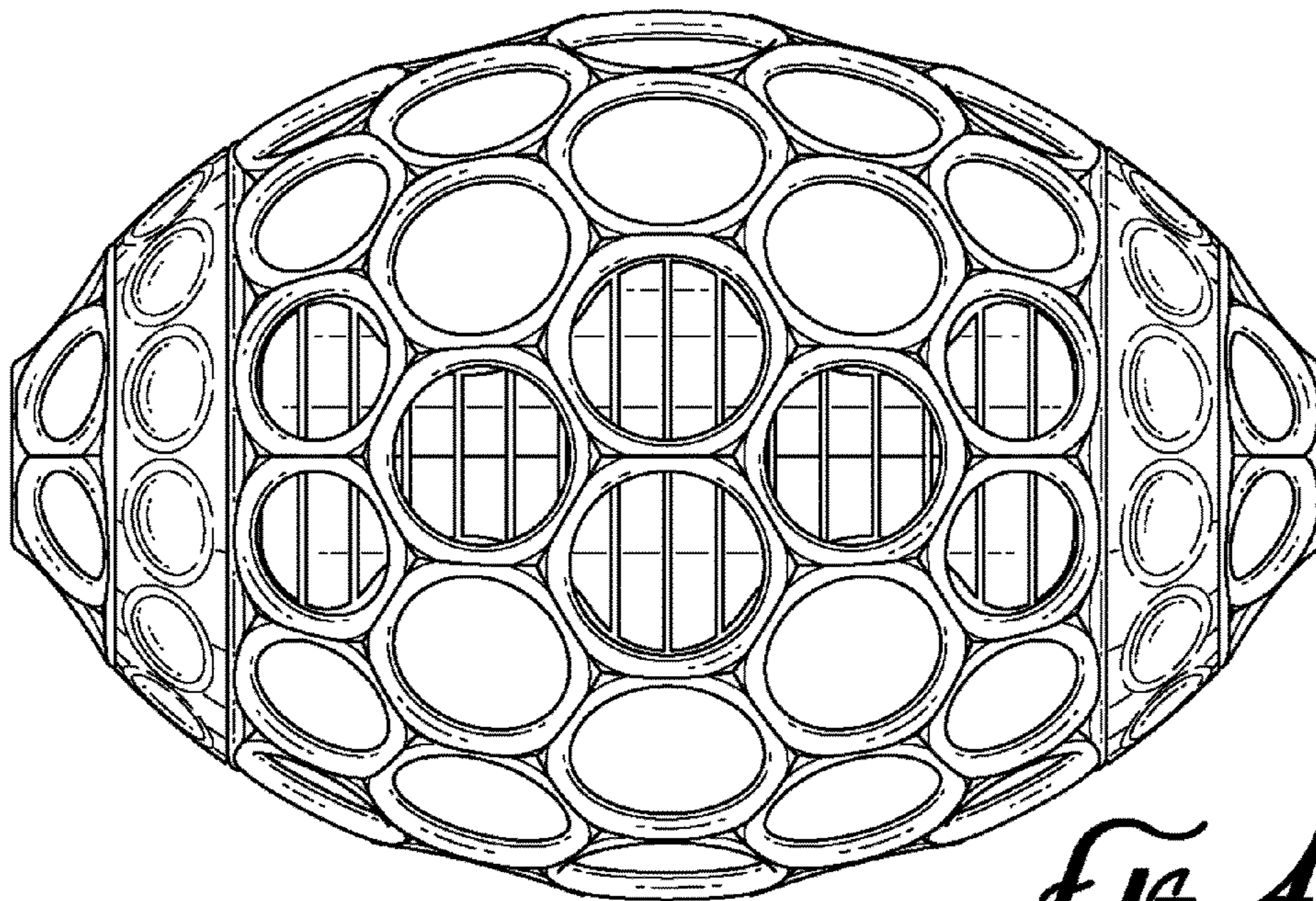


FIG. 4

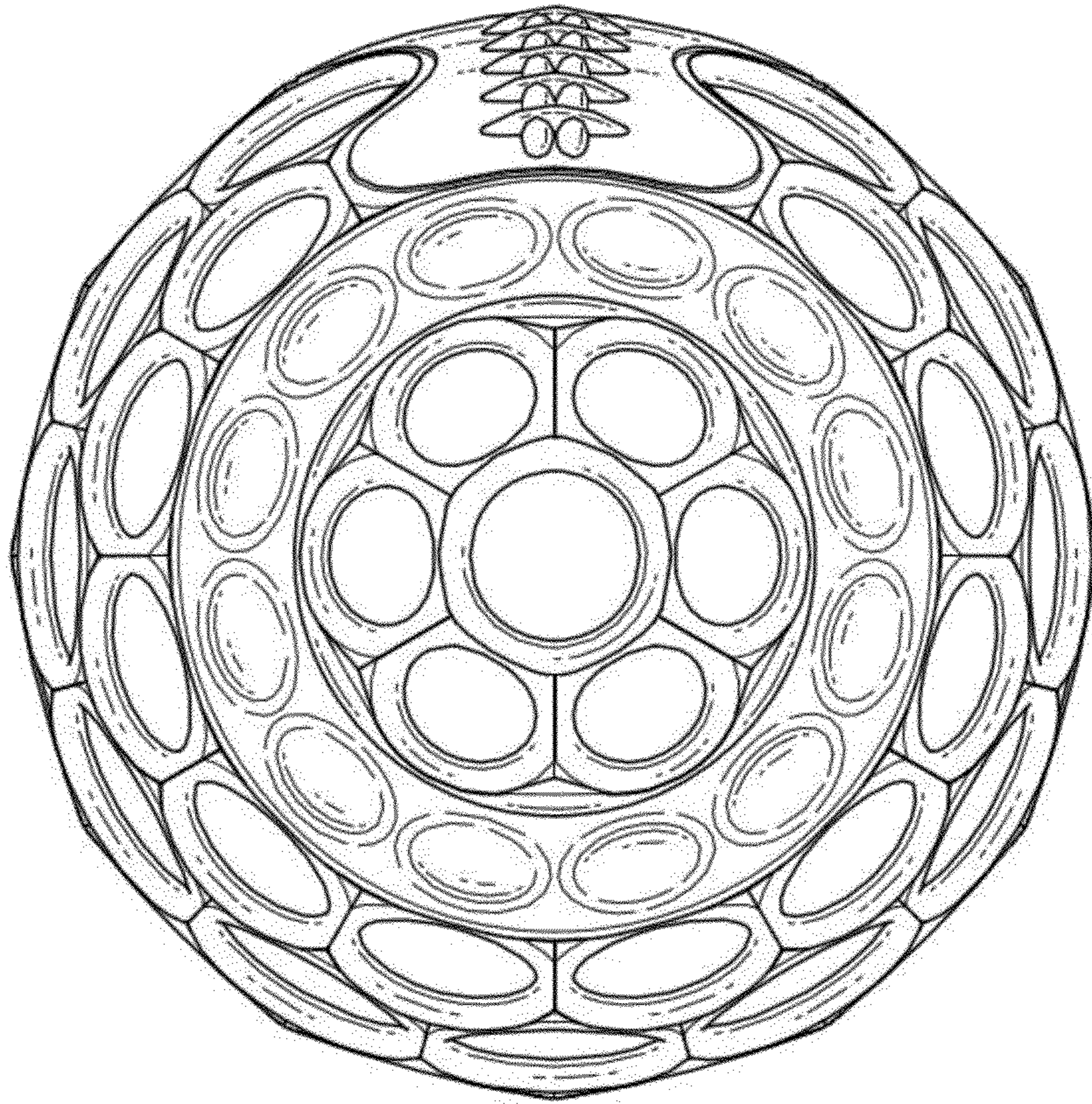


FIG. 5