

US00D690375S

(12) **United States Design Patent**
Horita

(10) **Patent No.:** **US D690,375 S**
(45) **Date of Patent:** **** Sep. 24, 2013**

- (54) **EXERCISE DEVICE**
- (75) Inventor: **Sean Horita**, Woodinville, WA (US)
- (73) Assignee: **Precor Incorporated**, Woodinville, WA (US)
- (**) Term: **14 Years**
- (21) Appl. No.: **29/414,381**
- (22) Filed: **Feb. 28, 2012**
- (51) **LOC (9) Cl.** **21-02**
- (52) **U.S. Cl.**
USPC **D21/694; D21/670; D21/668**
- (58) **Field of Classification Search**
USPC D21/662, 663, 666, 667, 668, 670, D21/671, 686, 689, 691, 694, 697; 482/4, 482/5, 51, 52, 57, 59, 60, 62, 63, 71, 72, 482/73, 118, 133, 137, 138, 142
See application file for complete search history.

7,520,839	B2	4/2009	Rodgers, Jr.	482/52
7,530,926	B2	5/2009	Rodgers, Jr.	482/52
D594,072	S *	6/2009	Horita	D21/694
7,641,598	B2	1/2010	Rodgers, Jr.	482/52
7,678,025	B2	3/2010	Rodgers, Jr.	482/52
7,708,668	B2	5/2010	Rodgers, Jr.	482/51
7,708,669	B2	5/2010	Rodgers, Jr.	482/52
D625,372	S *	10/2010	Foley et al.	D21/694
7,811,208	B2	10/2010	Rodgers, Jr.	482/52
7,828,698	B2	11/2010	Rodgers, Jr.	482/52
7,833,133	B2	11/2010	Stewart et al.	482/52
7,874,963	B2	1/2011	Grind	482/71
7,878,947	B1	2/2011	Rodgers, Jr.	482/52
7,887,465	B2	2/2011	Uffelman	482/52
7,922,625	B2	4/2011	Grind	482/52
D640,336	S *	6/2011	Aboody	D21/662
7,988,600	B2	8/2011	Rodgers, Jr.	482/52
8,021,275	B2	9/2011	Rodgers, Jr.	482/52
8,092,351	B1	1/2012	Rodgers, Jr.	482/52

(Continued)

Primary Examiner — Susan E Krakower
(74) *Attorney, Agent, or Firm* — Terence P. O'Brien

(57) **CLAIM**
I claim the ornamental design for an exercise device, as shown and described.

(56) **References Cited**

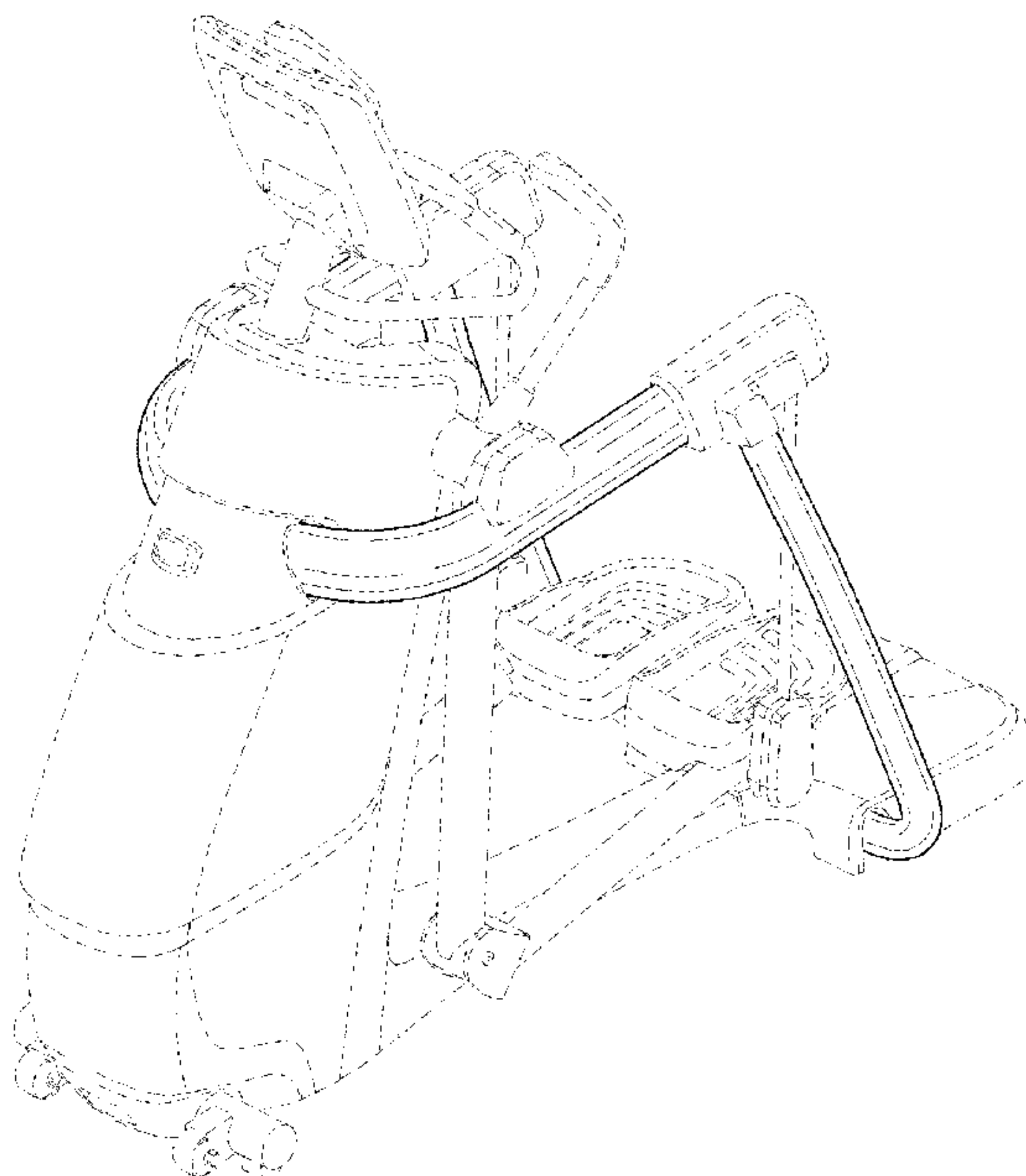
U.S. PATENT DOCUMENTS

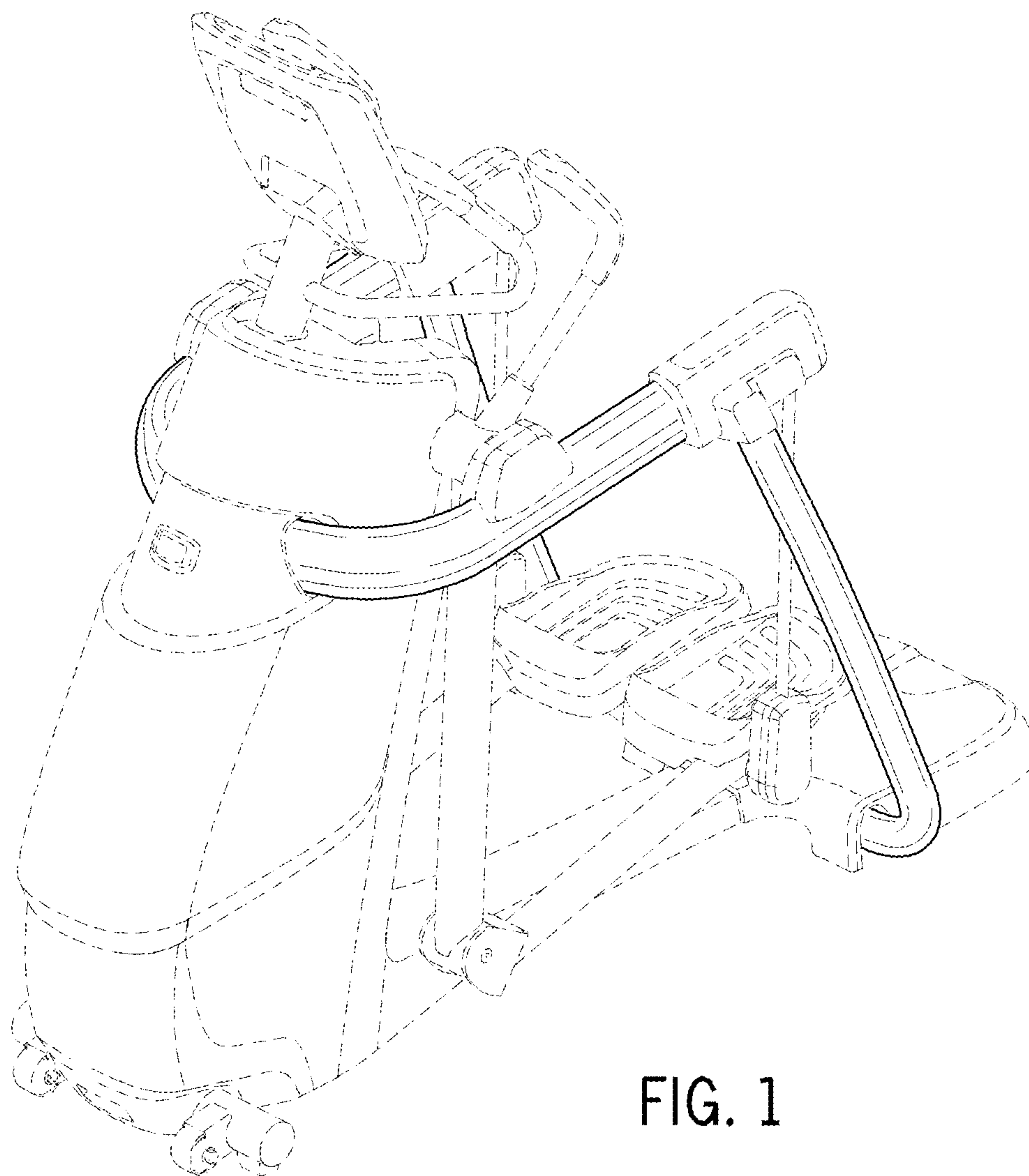
D339,837	S *	9/1993	Hall et al.	D21/670
D403,034	S *	12/1998	Moon et al.	D21/669
6,004,244	A *	12/1999	Simonson	482/52
D494,645	S *	8/2004	Otomi et al.	D21/662
D505,170	S *	5/2005	Buechel et al.	D21/691
D520,083	S *	5/2006	Lu	D21/685
D559,925	S *	1/2008	Horita	D21/670
D563,489	S *	3/2008	Giannelli et al.	D21/668
D565,130	S *	3/2008	Olson	D21/670
D567,314	S *	4/2008	Horita	D21/694
D570,430	S *	6/2008	Horita	D21/694
D575,837	S *	8/2008	Horita	D21/694
7,507,184	B2	3/2009	Rodgers, Jr.	482/52
D590,033	S *	4/2009	Wang et al.	D21/694

DESCRIPTION

FIG. 1 is a front side perspective view of an exercise device; FIG. 2 is a side view of the exercise device of FIG. 1; FIG. 3 is a top view of the exercise device of FIG. 1; FIG. 4 is a front view of the exercise device of FIG. 1; FIG. 5 is a rear view of the exercise device of FIG. 1; and, FIG. 6 is a bottom view of the exercise device of FIG. 1. The broken (dashed) lines shown in the drawings are included for the purposes of illustrating environmental elements only and form no part of the claimed design.

1 Claim, 6 Drawing Sheets





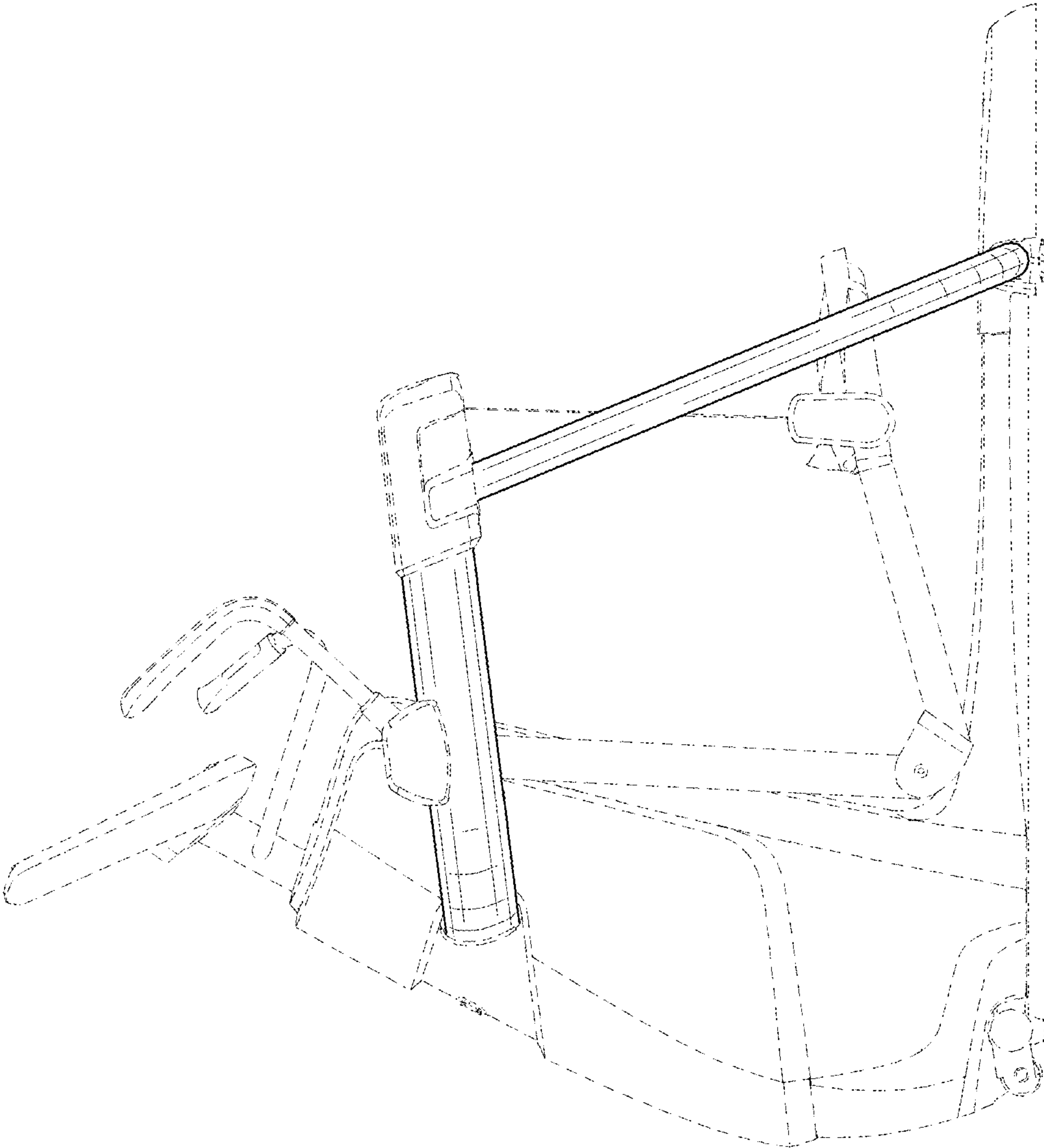


FIG. 2

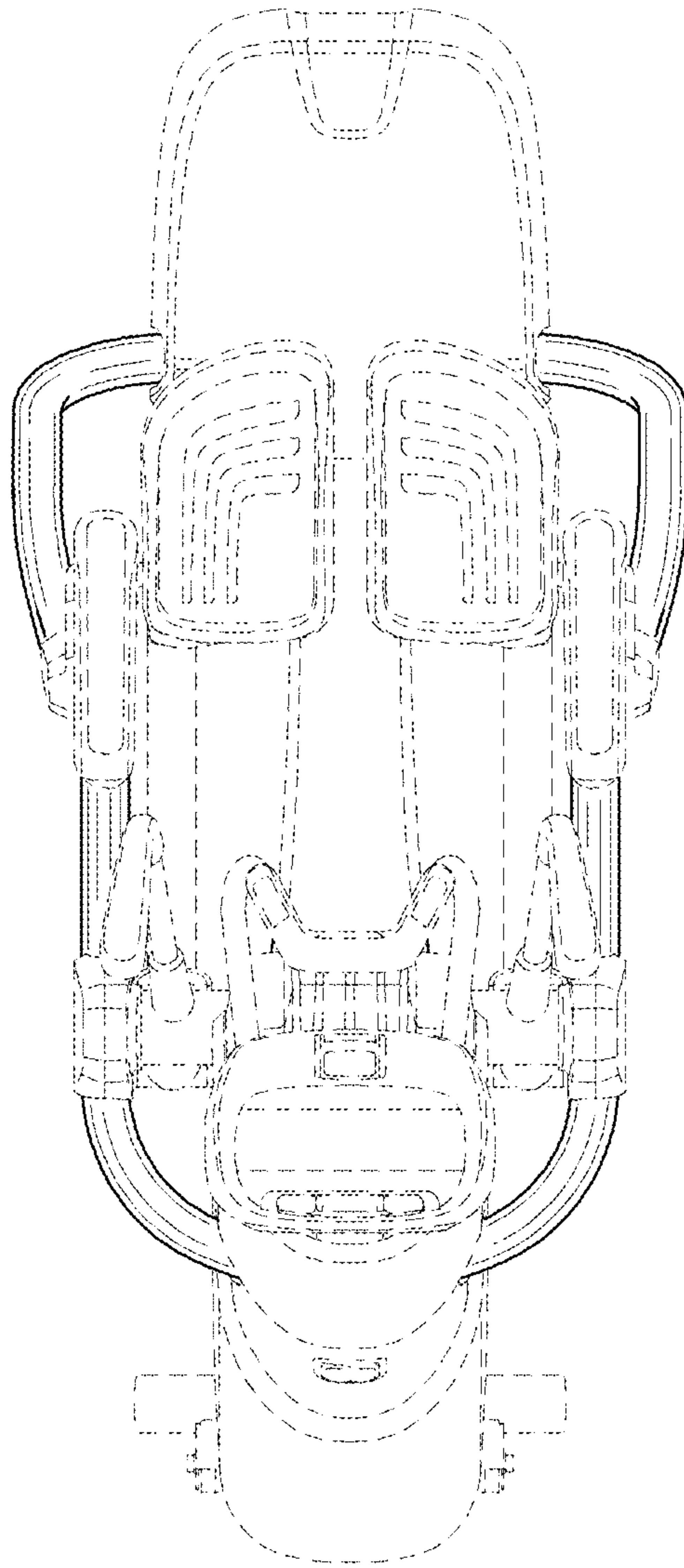


FIG. 3

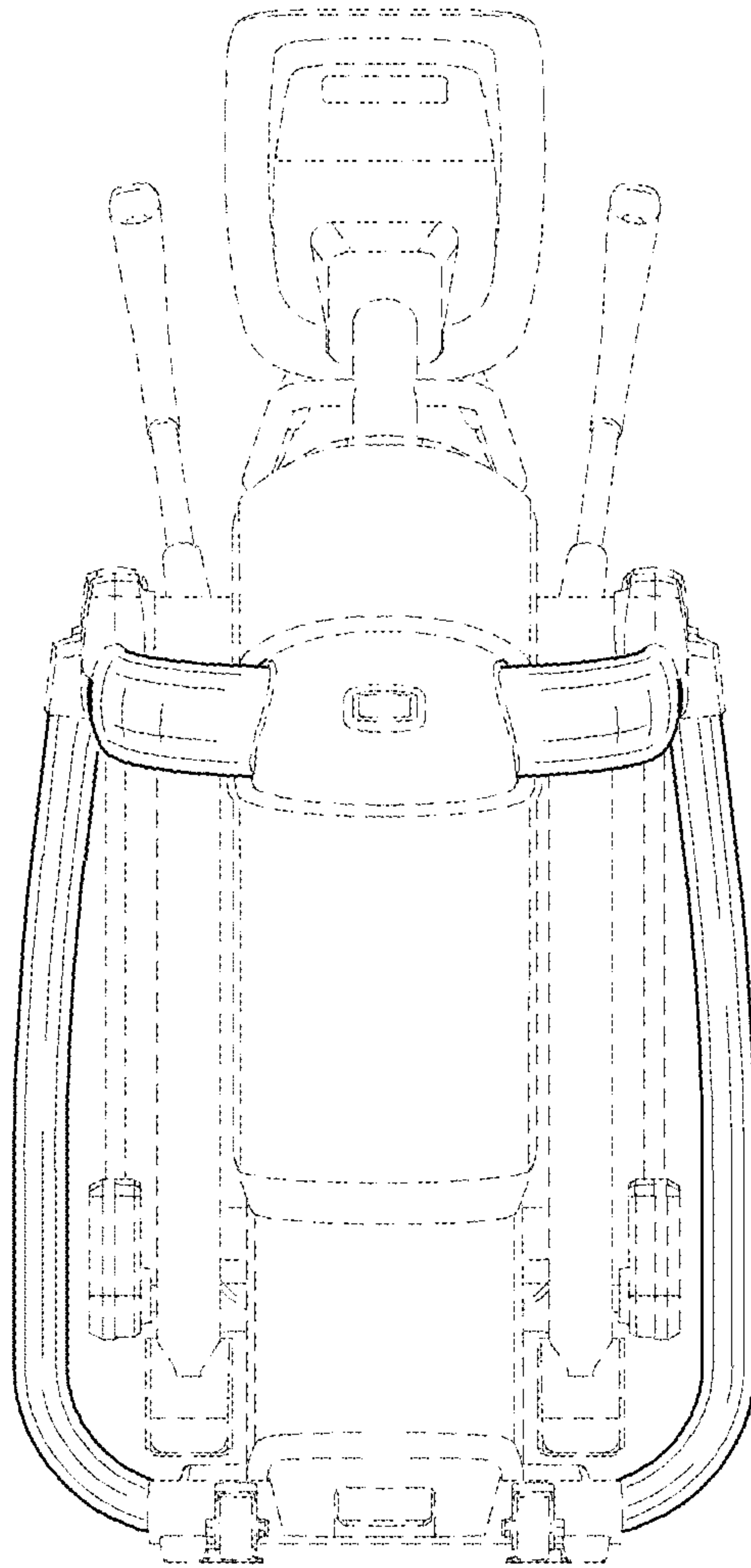


FIG. 4

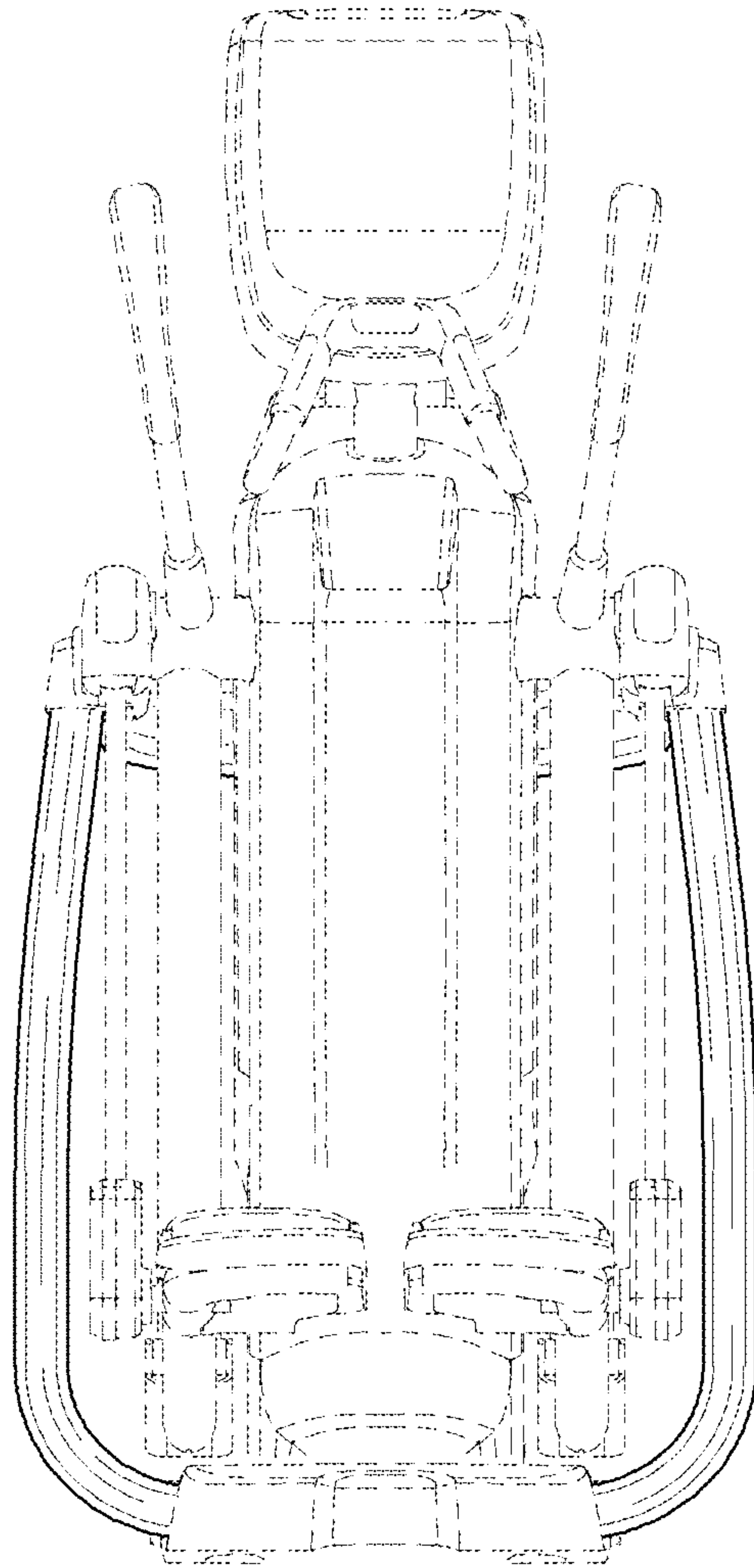


FIG. 5

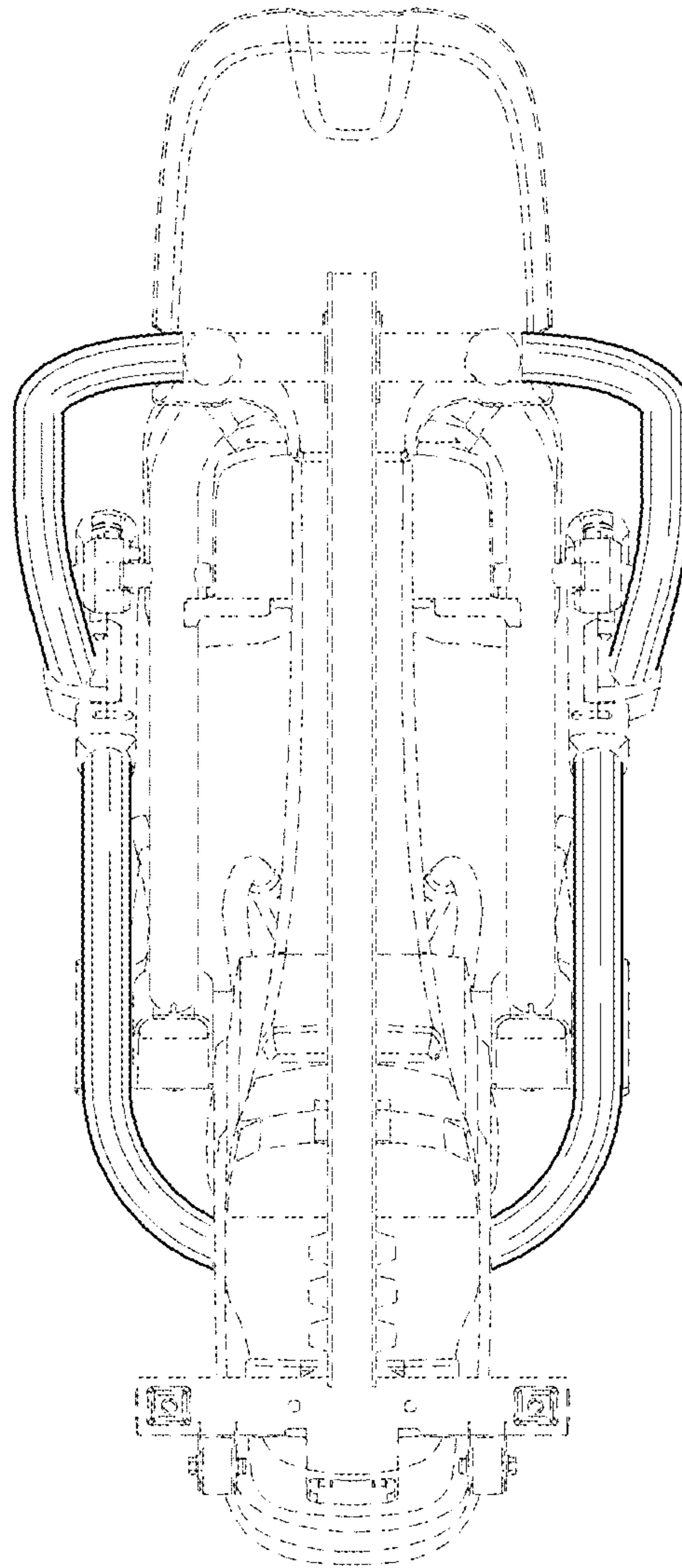


FIG. 6