



US00D690374S

(12) **United States Design Patent**
Lee

(10) **Patent No.:** **US D690,374 S**

(45) **Date of Patent:** **** Sep. 24, 2013**

(54) **TOY PISTOL**

(76) Inventor: **Chi Keung Lee**, Hong Kong (CN)

(**) Term: **14 Years**

(21) Appl. No.: **29/386,786**

(22) Filed: **Mar. 4, 2011**

(30) **Foreign Application Priority Data**

Nov. 30, 2010 (HK) 1002258.0

(51) **LOC (9) Cl.** **21-01**

(52) **U.S. Cl.**
USPC **D21/574**

(58) **Field of Classification Search**
USPC D21/567, 570-575; D22/100, 101,
D22/103, 104, 108, 109; 124/41.1, 45, 49,
124/50, 51.1, 55, 56, 69, 70-79, 80, 82; 42/54;
446/401, 405, 406
See application file for complete search history.

(56) **References Cited**

U.S. PATENT DOCUMENTS

D359,098 S *	6/1995	Stevens	D22/104
D376,831 S *	12/1996	Resuggan	D22/104
D387,842 S *	12/1997	Kaminski et al.	D22/104
D416,013 S *	11/1999	Muraki et al.	D14/418
D458,652 S *	6/2002	Chan	D21/574
D479,570 S *	9/2003	Scheunert	D22/104
D503,208 S *	3/2005	Krieger	D22/104
D554,712 S *	11/2007	Yuen	D21/574

D559,337 S *	1/2008	Wang	D21/574
D583,896 S *	12/2008	McGarry	D22/104
D593,622 S *	6/2009	Halmone	D21/574
D593,623 S *	6/2009	Halmone	D21/574
D593,629 S *	6/2009	Bantle et al.	D22/104
D598,065 S *	8/2009	Vukovic et al.	D22/104
D636,031 S *	4/2011	Torre et al.	D21/573
2004/0200467 A1 *	10/2004	Tiberius et al.	124/74
2006/0288990 A1 *	12/2006	Wei	124/80

* cited by examiner

Primary Examiner — Cynthia M Chin

(74) *Attorney, Agent, or Firm* — Global IP Services; Tianhua Gu

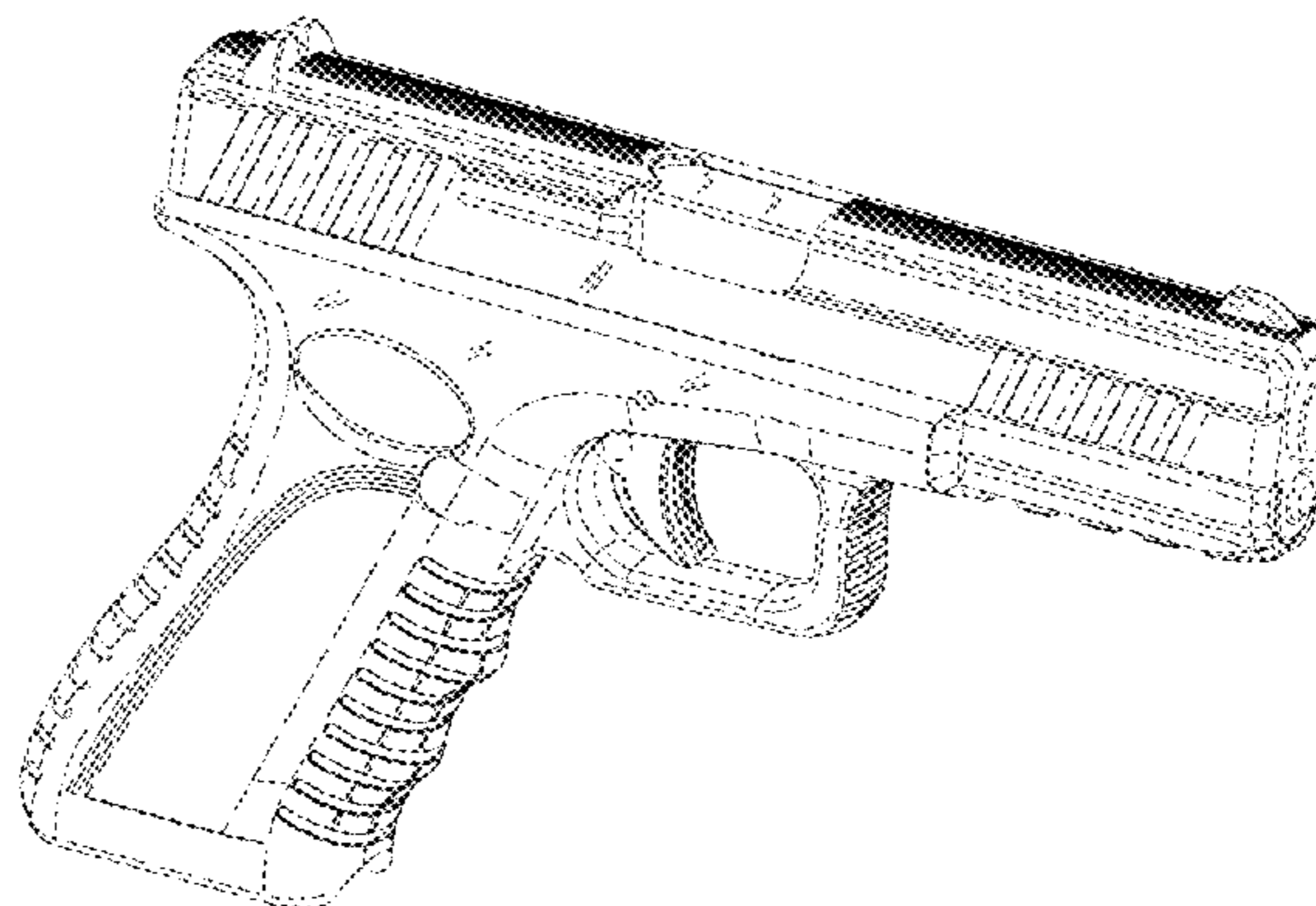
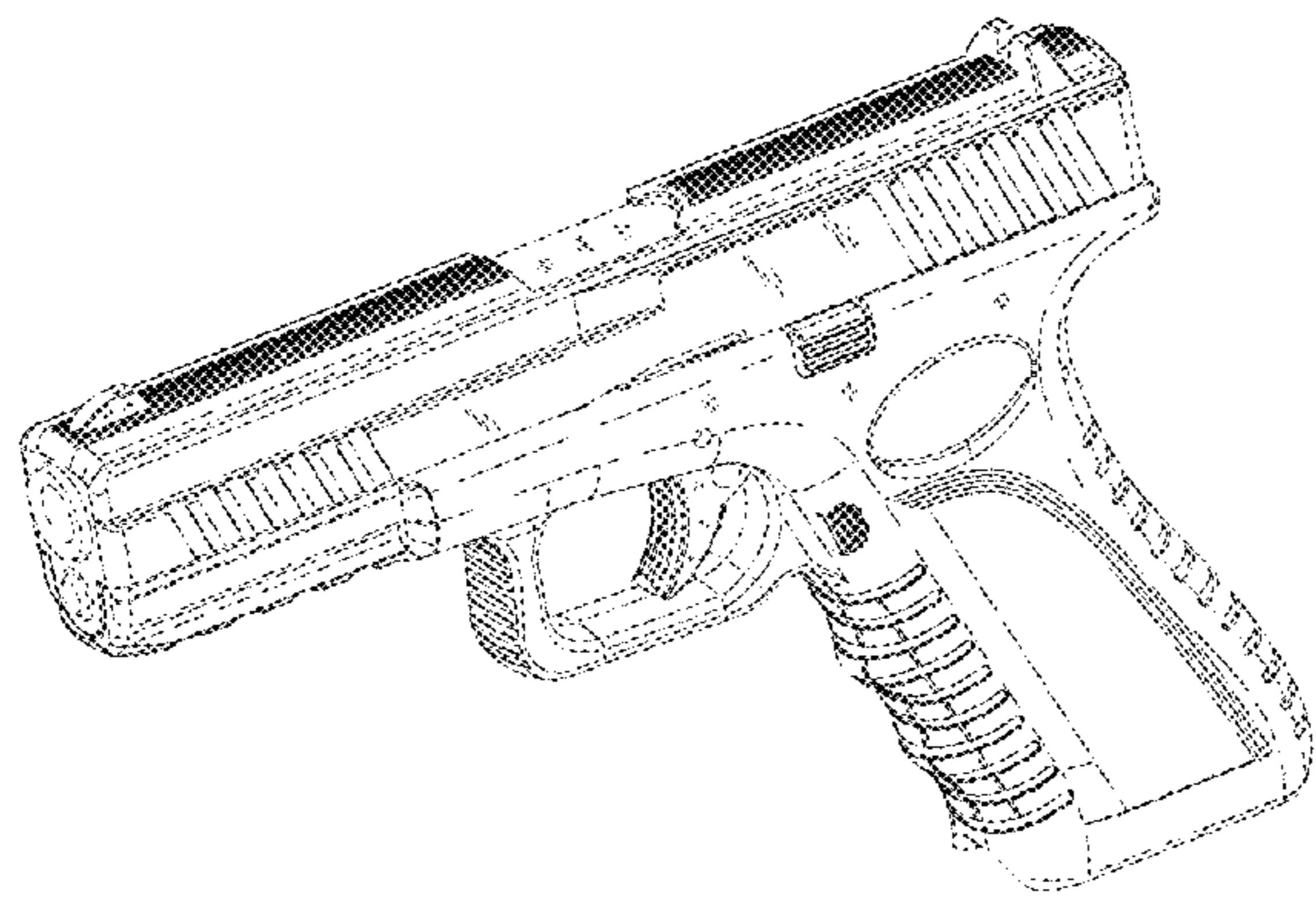
(57) **CLAIM**

The ornamental design for a toy pistol, as shown and described.

DESCRIPTION

FIG. 1 is a front elevation view of a toy pistol showing my new design;
FIG. 2 is a rear elevation view thereof;
FIG. 3 is a right side elevation view thereof;
FIG. 4 is a left side elevation view thereof;
FIG. 5 is a top plan view thereof;
FIG. 6 is a bottom plan view thereof;
FIG. 7 is a rear perspective view thereof; and,
FIG. 8 is a front perspective view thereof.
The portions of the article shown in broken lines form no part of the claimed design.

1 Claim, 6 Drawing Sheets



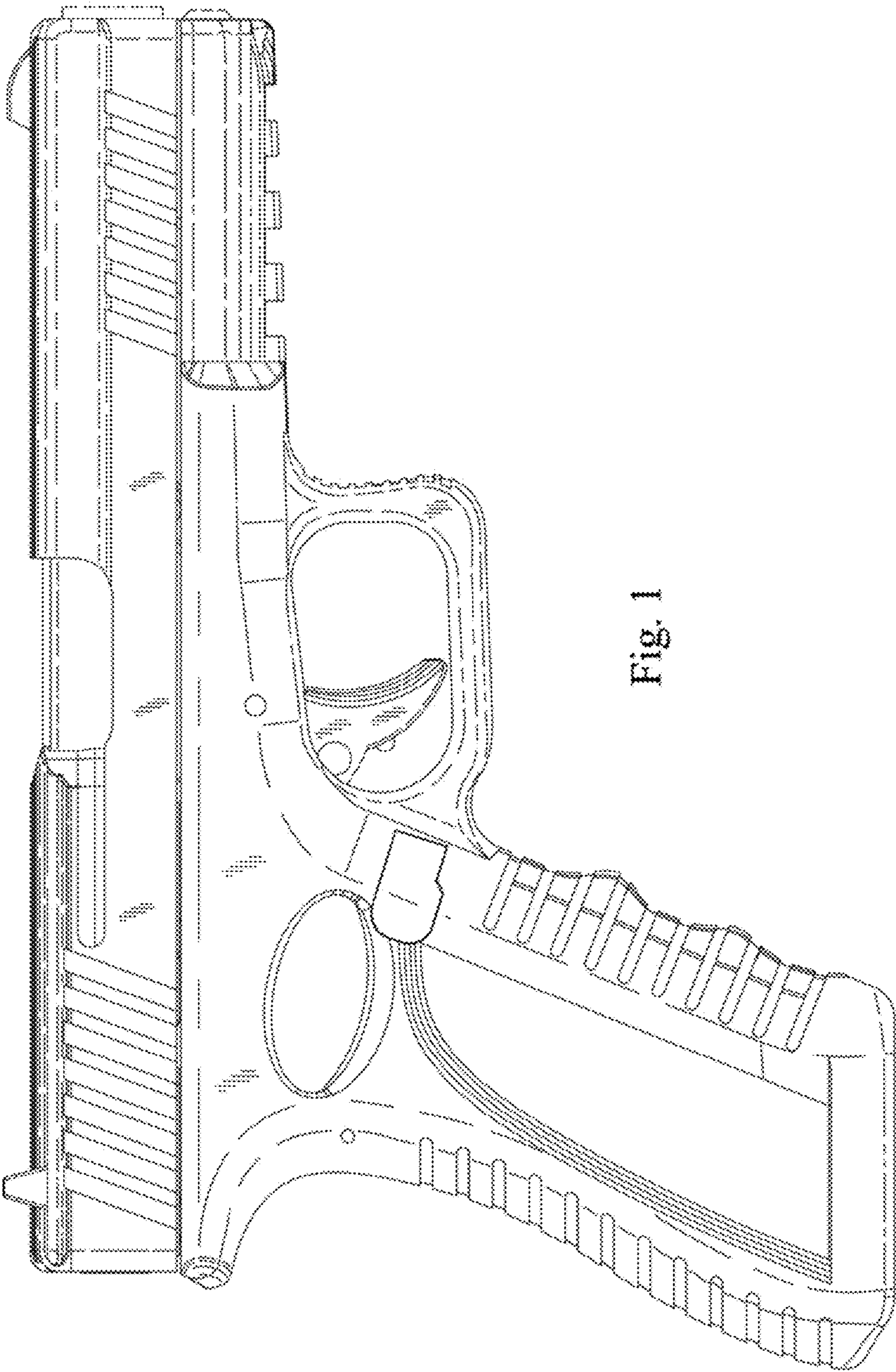


Fig. 1

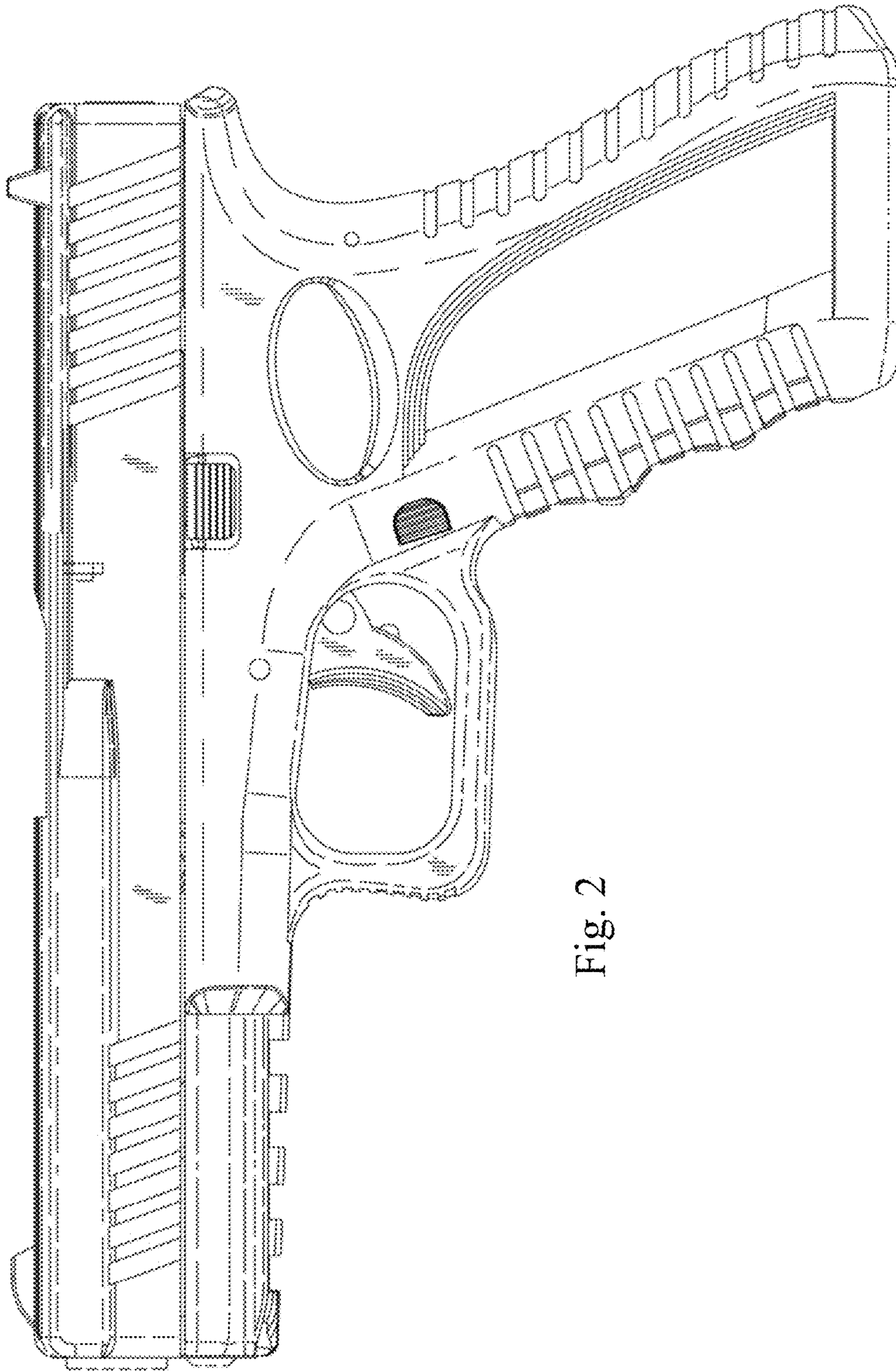


Fig. 2

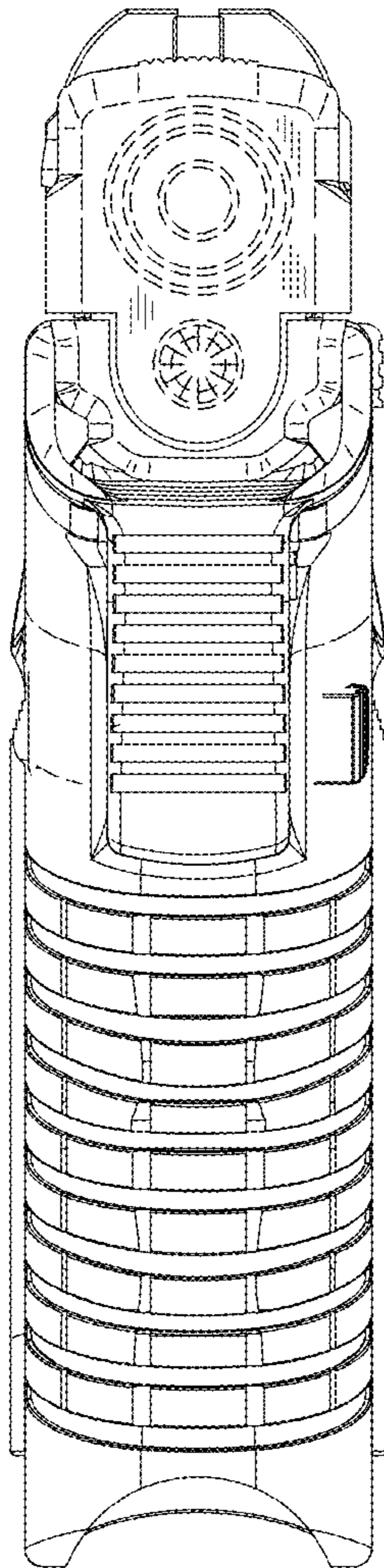


Fig. 3

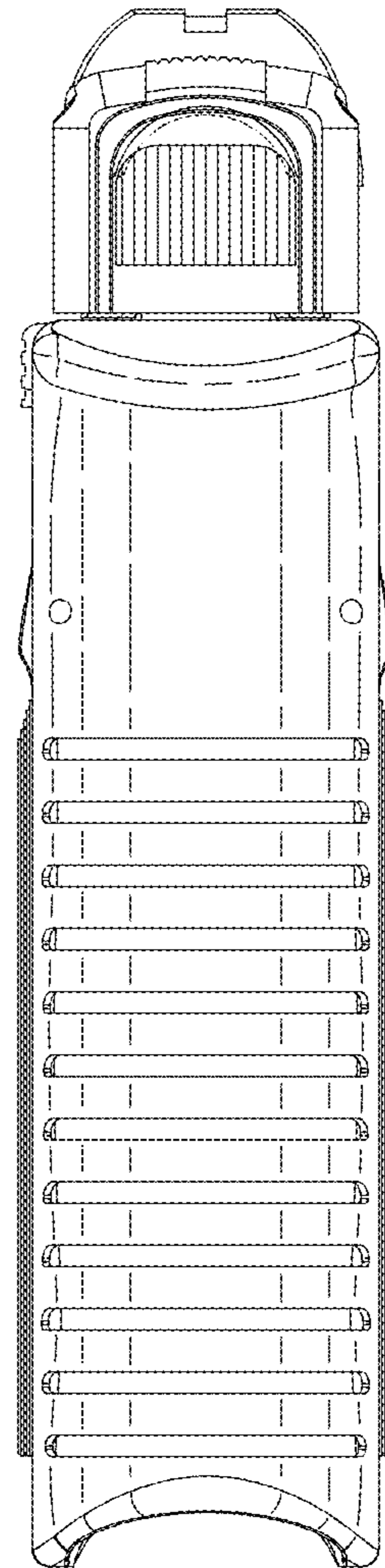


Fig. 4

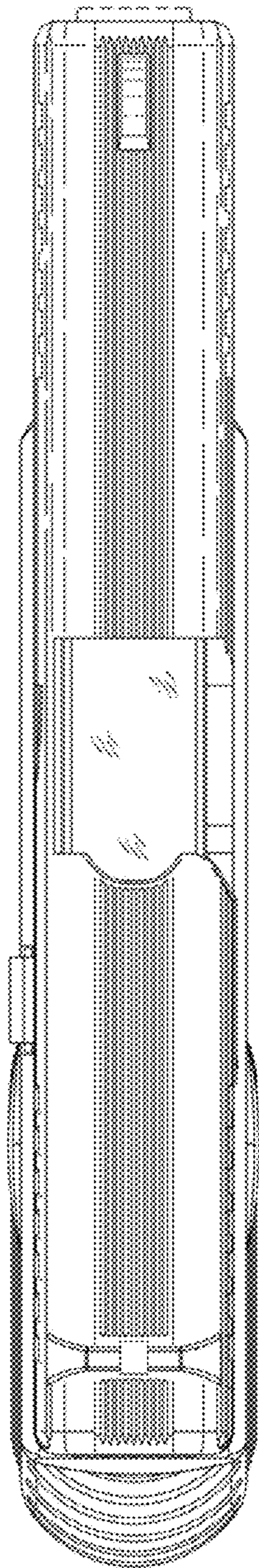


Fig. 5

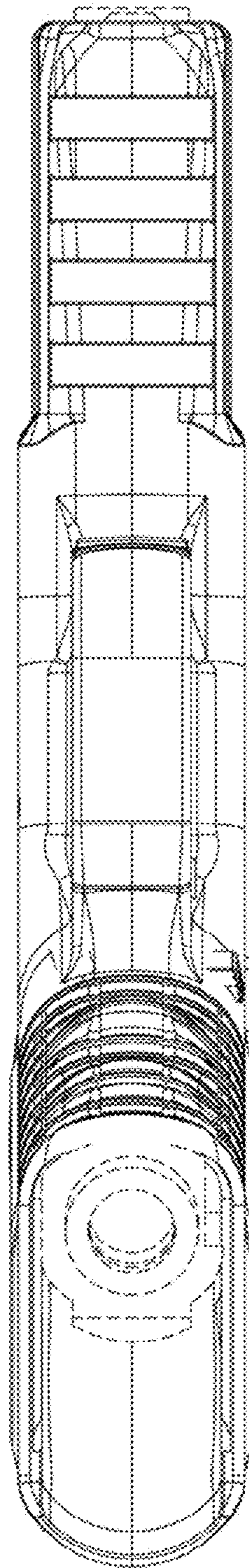


Fig. 6

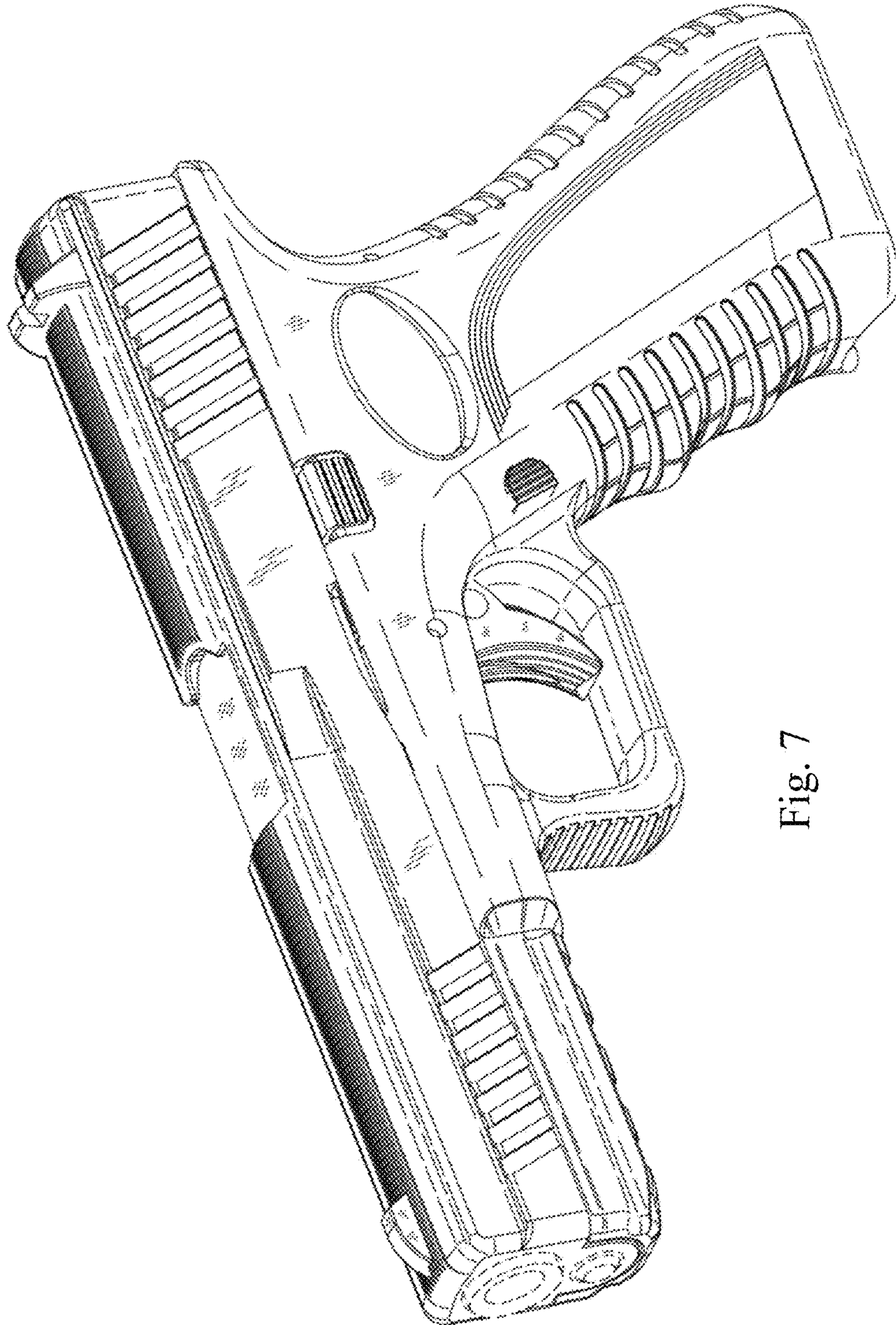


Fig. 7

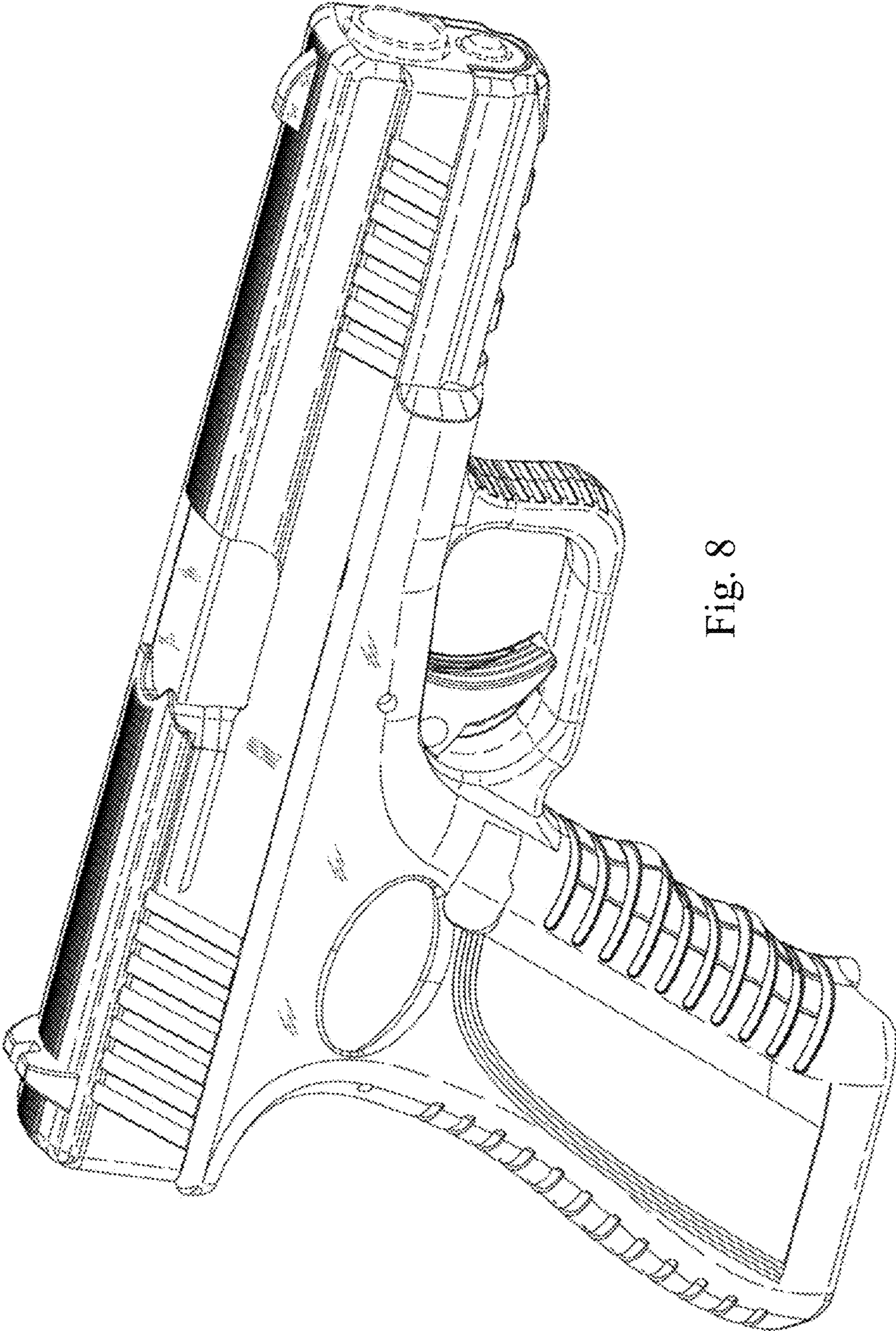


Fig. 8