



US00D690372S

(12) **United States Design Patent**  
**Fujiwara**

(10) **Patent No.:** **US D690,372 S**

(45) **Date of Patent:** **\*\* Sep. 24, 2013**

(54) **REMOTE CONTROLLED TOY CAR**

(75) Inventor: **Kotonori Fujiwara**, Shizuoka (JP)

(73) Assignee: **Arrma Durango Limited**, Birmingham (GB)

(\*\*) Term: **14 Years**

(21) Appl. No.: **29/392,417**

(22) Filed: **May 20, 2011**

(51) **LOC (9) Cl.** ..... **21-01**

(52) **U.S. Cl.**

USPC ..... **D21/550**

(58) **Field of Classification Search**

USPC ..... D21/124, 129, 131, 134, 141, 137,  
D21/550; 446/29, 433, 440, 441, 444, 446,  
446/454, 450, 456, 460, 465, 466, 467, 468,  
446/470; D12/86, 88

See application file for complete search history.

(56) **References Cited**

**U.S. PATENT DOCUMENTS**

D222,160 S *	10/1971	Rudd et al. ....	D21/550
D226,527 S *	3/1973	Coppuck et al. ....	D21/550
D313,255 S *	12/1990	Honma .....	D21/550
D313,257 S *	12/1990	Tsuchiya .....	D21/550
D316,731 S *	5/1991	Tsuchiya .....	D21/550
D317,486 S *	6/1991	Fujinami .....	D21/550
D317,795 S *	6/1991	Taki .....	D21/550
D318,081 S *	7/1991	Yoshino .....	D21/550
D318,888 S *	8/1991	Yoshino .....	D21/550
D322,102 S *	12/1991	Araki .....	D21/550
D639,207 S *	6/2011	Danisi .....	D12/82
2011/0177754 A1 *	7/2011	Nakayama et al. ....	446/465

**FOREIGN PATENT DOCUMENTS**

JP	04338479 A *	11/1992
JP	2005312495 A *	11/2005
JP	2011143090 A *	7/2011

**OTHER PUBLICATIONS**

Losi—A Division of Horizon Hobby. Mini Desert Buggy. Operation Manual. [online], Sep. 2009 [retrieved on Sep. 24, 2012]. Retrieved from the Internet< URL: <http://losi.com/ProdInfo/Files/LOSB0204Manual.pdf>>.\*

Hetmanski, HPI Baja 5B SS. [online], Apr. 2008 [retrieved on Sep. 24, 2012]. Retrieved from the Internet< URL: <http://www.rccaraction.com/Media/MediaManager/HPI%20Baja%205b%20SS.pdf>>.\*

HobbyPro Company Ltd. TC02 Evo. 1:10 Scale 2WD Electric Pro Racing Buggy. [online], May 2012 [retrieved on Sep. 24, 2012]. Retrieved from the Internet< URL: [http://www.absima.com/absima\\_uploads/tc02evo\\_manual\\_eng.pdf](http://www.absima.com/absima_uploads/tc02evo_manual_eng.pdf)>.\*

\* cited by examiner

*Primary Examiner* — Philip S Hyder

*Assistant Examiner* — Darlington Ly

(74) *Attorney, Agent, or Firm* — Drinker Biddle & Reath LLP

(57) **CLAIM**

The ornamental design for the remote controlled toy car, as shown and described.

**DESCRIPTION**

FIG. 1 shows a right side view depicting an embodiment of a new design of a remote controlled toy car;

FIG. 2 shows a left side view of the remote controlled toy car of FIG. 1;

FIG. 3 shows a top view of the remote controlled toy car of FIG. 1;

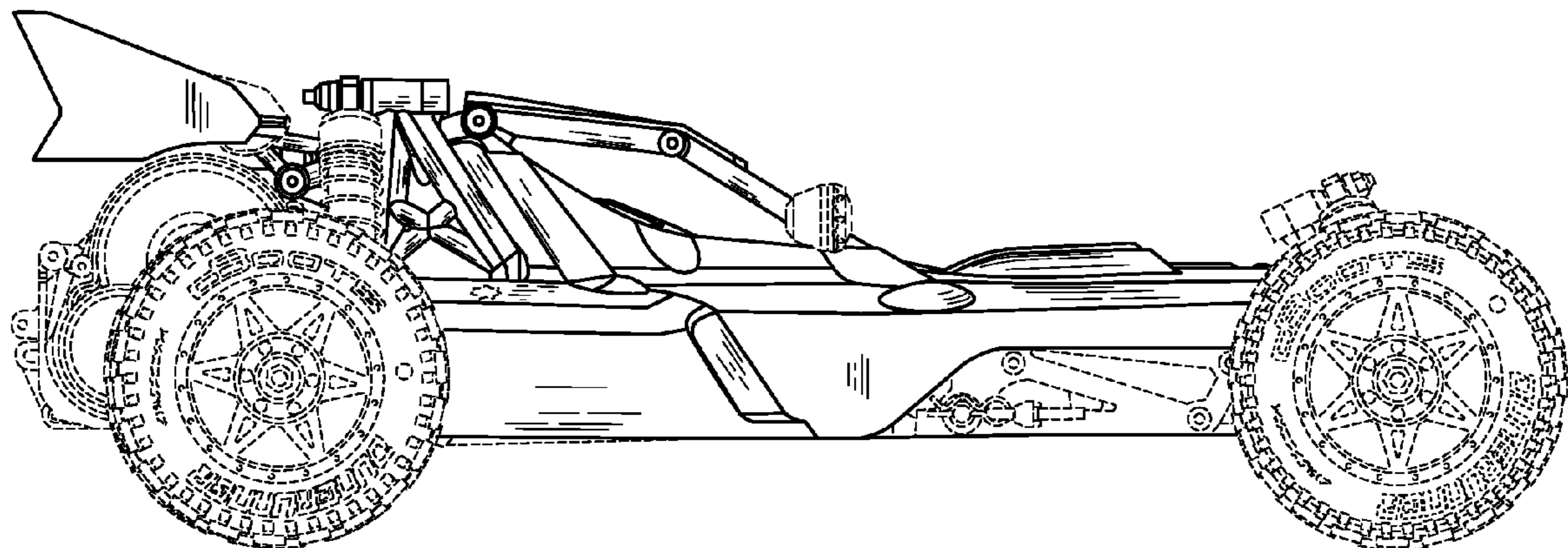
FIG. 4 shows a bottom view of the remote controlled toy car of FIG. 1;

FIG. 5 shows a rear view of the remote controlled toy car of FIG. 1; and,

FIG. 6 shows a front view of the remote controlled toy car of FIG. 1.

The broken lines illustrate portions of the remote controlled toy car that form no part of the claimed design.

**1 Claim, 6 Drawing Sheets**



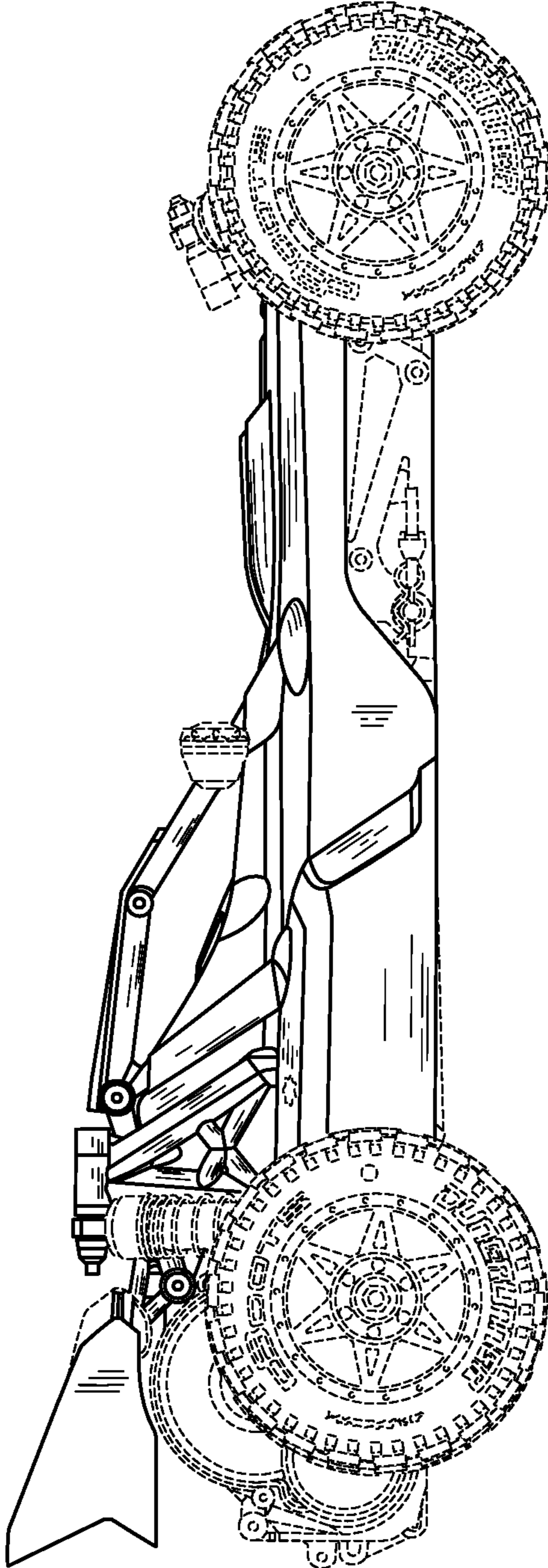


FIG. 1

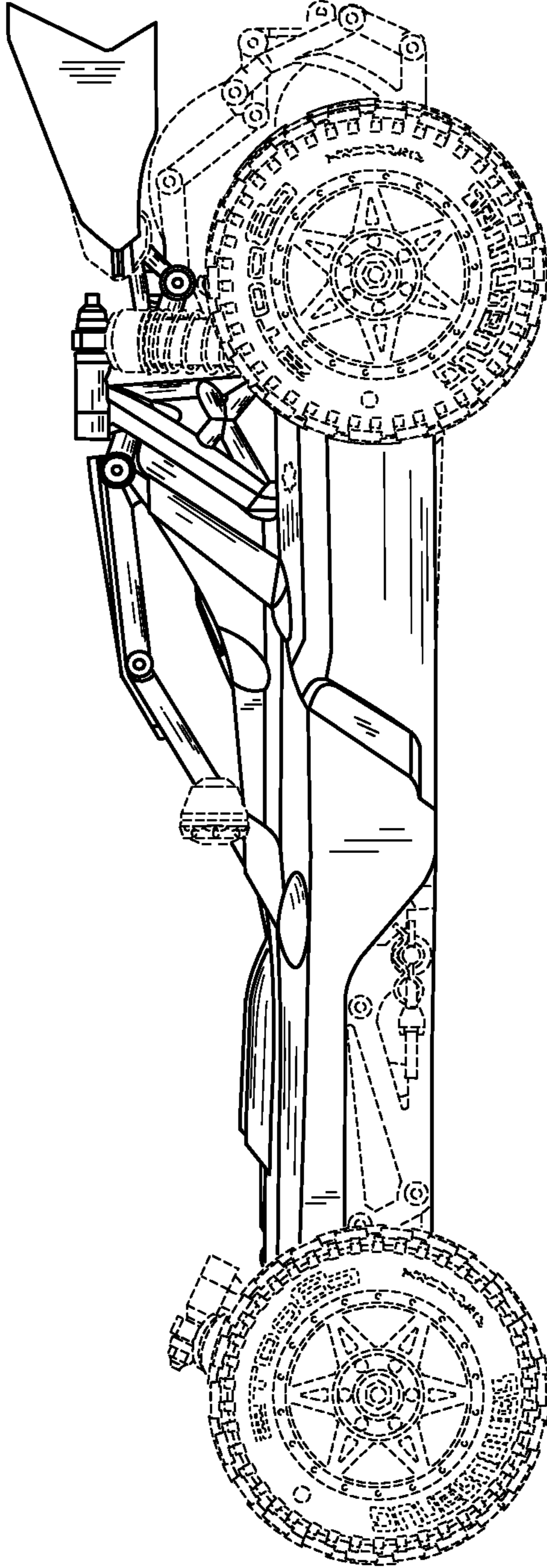


FIG. 2

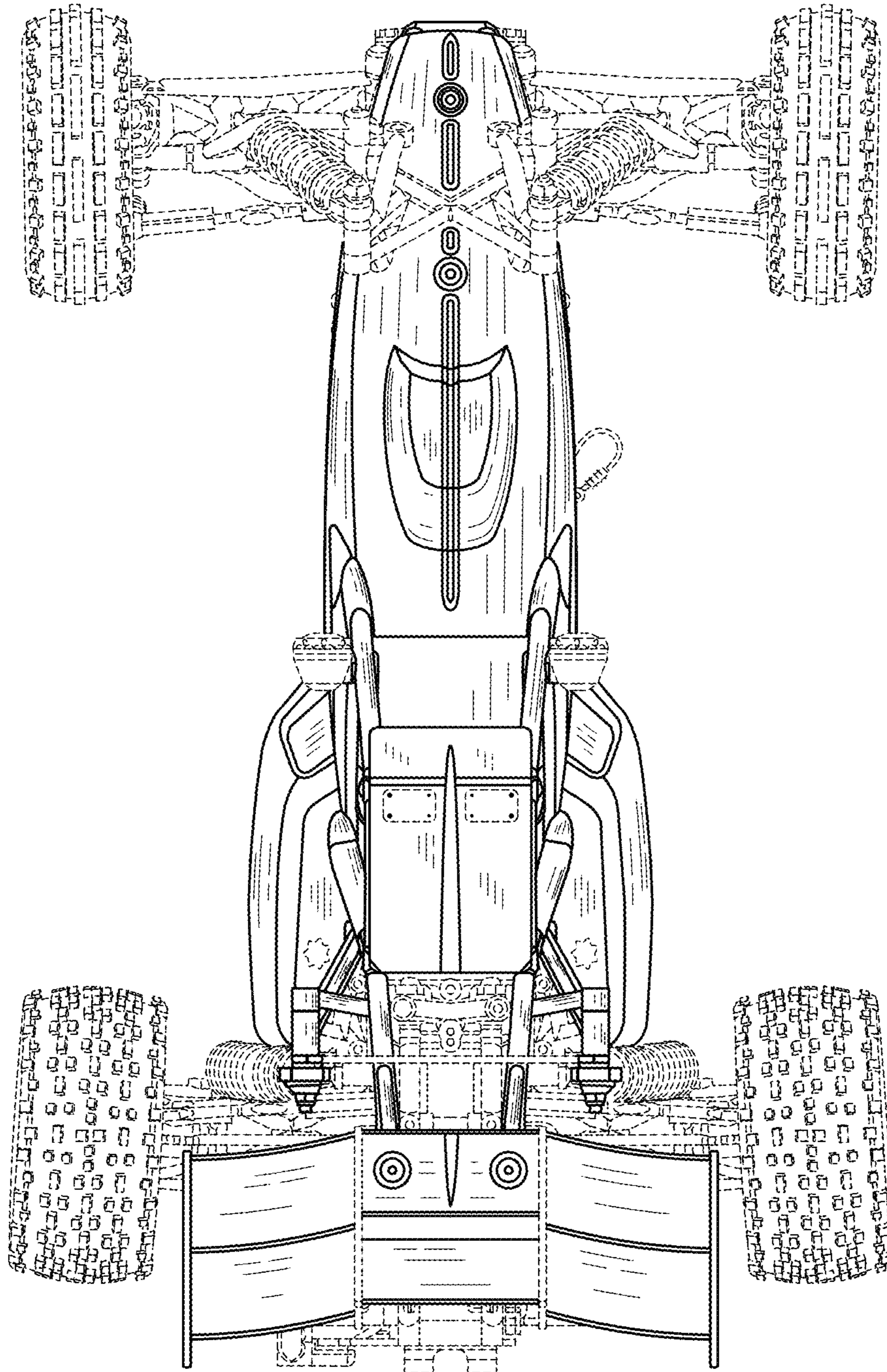


FIG. 3

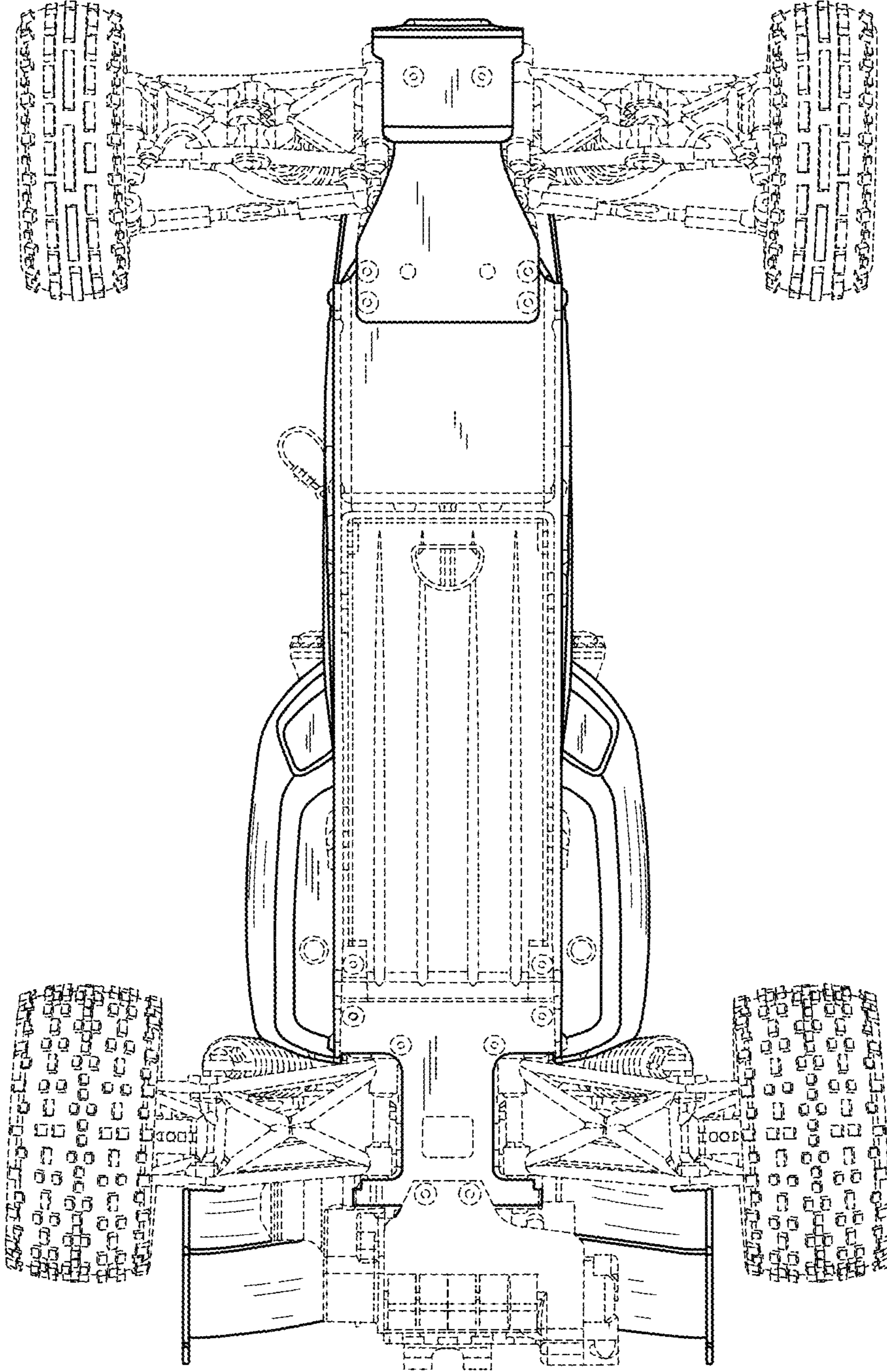


FIG. 4

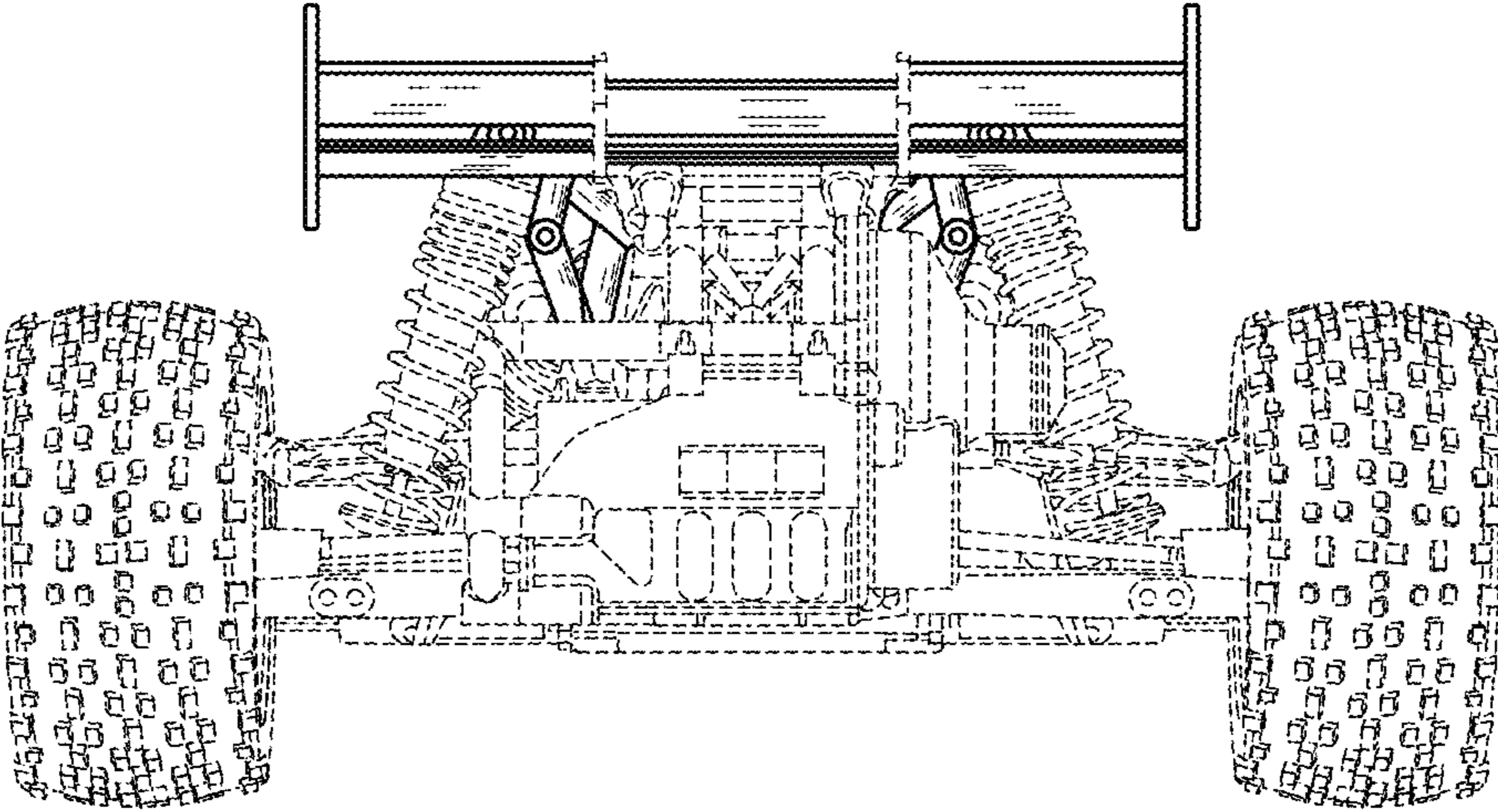


FIG. 5

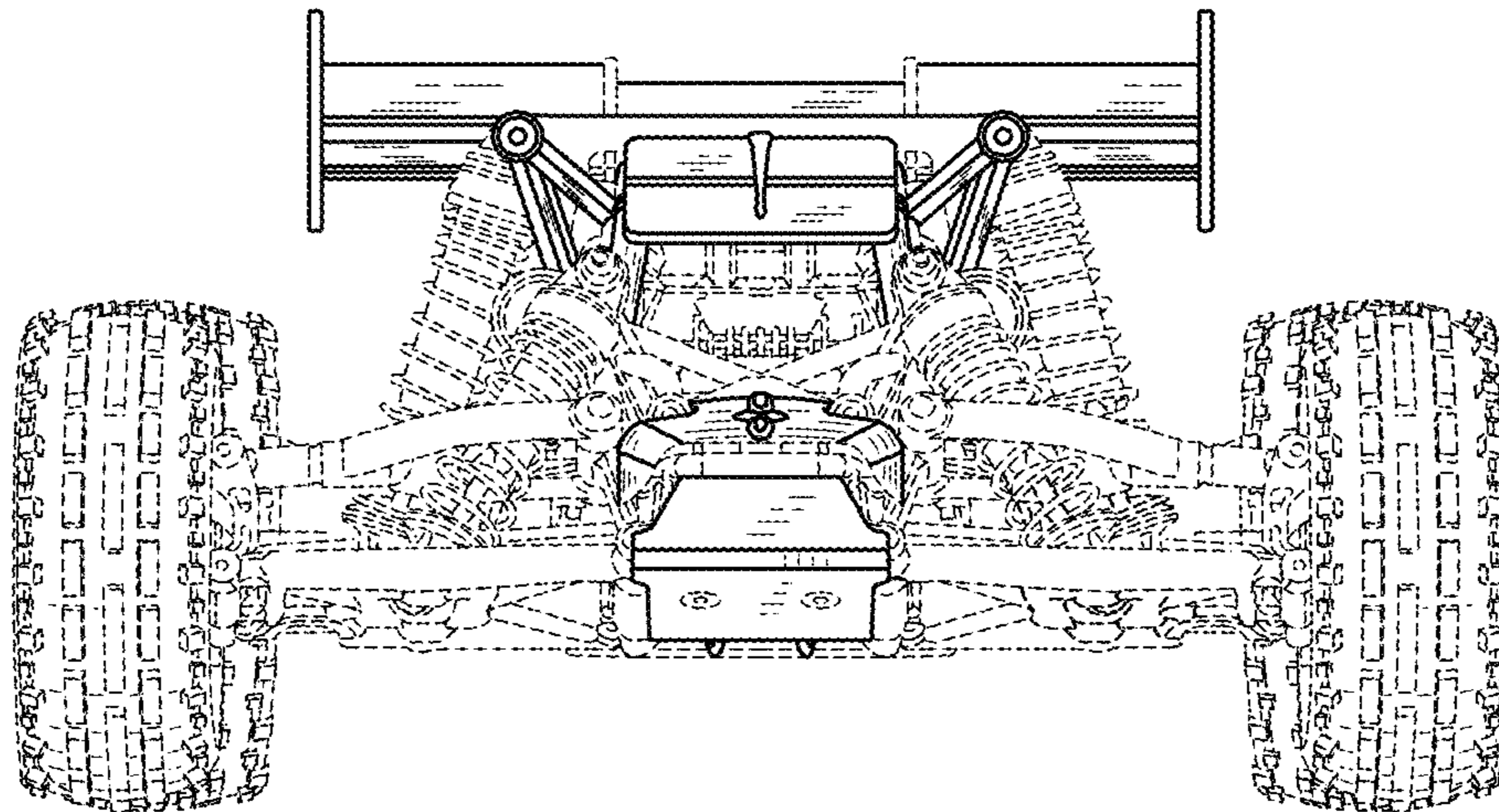


FIG. 6