

US00D690370S

(12) **United States Design Patent**  
**Macadam**

(10) **Patent No.:** **US D690,370 S**

(45) **Date of Patent:** **\*\* Sep. 24, 2013**

(54) **CONSTRUCTION SET PIECE**  
(75) Inventor: **Ashley Macadam**, Aarhus C (DK)  
(73) Assignee: **Lego A/S**, Billund (DK)  
(\*\*) Term: **14 Years**

D355,843 S *	2/1995	Kuwata .....	D8/382
D367,897 S *	3/1996	Schmidt et al. ....	D21/486
D384,986 S *	10/1997	Schmidt .....	D21/503
D384,987 S *	10/1997	Schmidt .....	D21/503
D384,988 S *	10/1997	Schmidt .....	D21/503
D387,399 S *	12/1997	Schmidt .....	D21/487
D409,677 S *	5/1999	Jensen .....	D21/487
D510,753 S *	10/2005	Paterson .....	D21/503
D550,307 S *	9/2007	Glickman .....	D21/484

(21) Appl. No.: **29/422,815**

(22) Filed: **May 24, 2012**

(30) **Foreign Application Priority Data**

Nov. 22, 2011 (EM) ..... 001950981

(51) **LOC (9) Cl.** ..... **21-01**

(52) **U.S. Cl.**  
USPC ..... **D21/502**; D21/487; D21/503

(58) **Field of Classification Search**  
USPC ..... D21/484, 485, 486, 489, 490, 491,  
D21/492, 493, 494, 495, 497, 499, 500-504;  
446/69, 85, 102-128; 434/208, 259, 403;  
273/153, 156, 160; 428/174  
See application file for complete search history.

(56) **References Cited**

**U.S. PATENT DOCUMENTS**

D174,950 S *	6/1955	Frishberg .....	D21/503
D174,951 S *	6/1955	Frishberg .....	D21/503
D311,680 S *	10/1990	Miall .....	D8/382

**FOREIGN PATENT DOCUMENTS**

AU 130220 S 6/1997

\* cited by examiner

*Primary Examiner* — Cynthia M Chin

(74) *Attorney, Agent, or Firm* — Day Pitney LLP

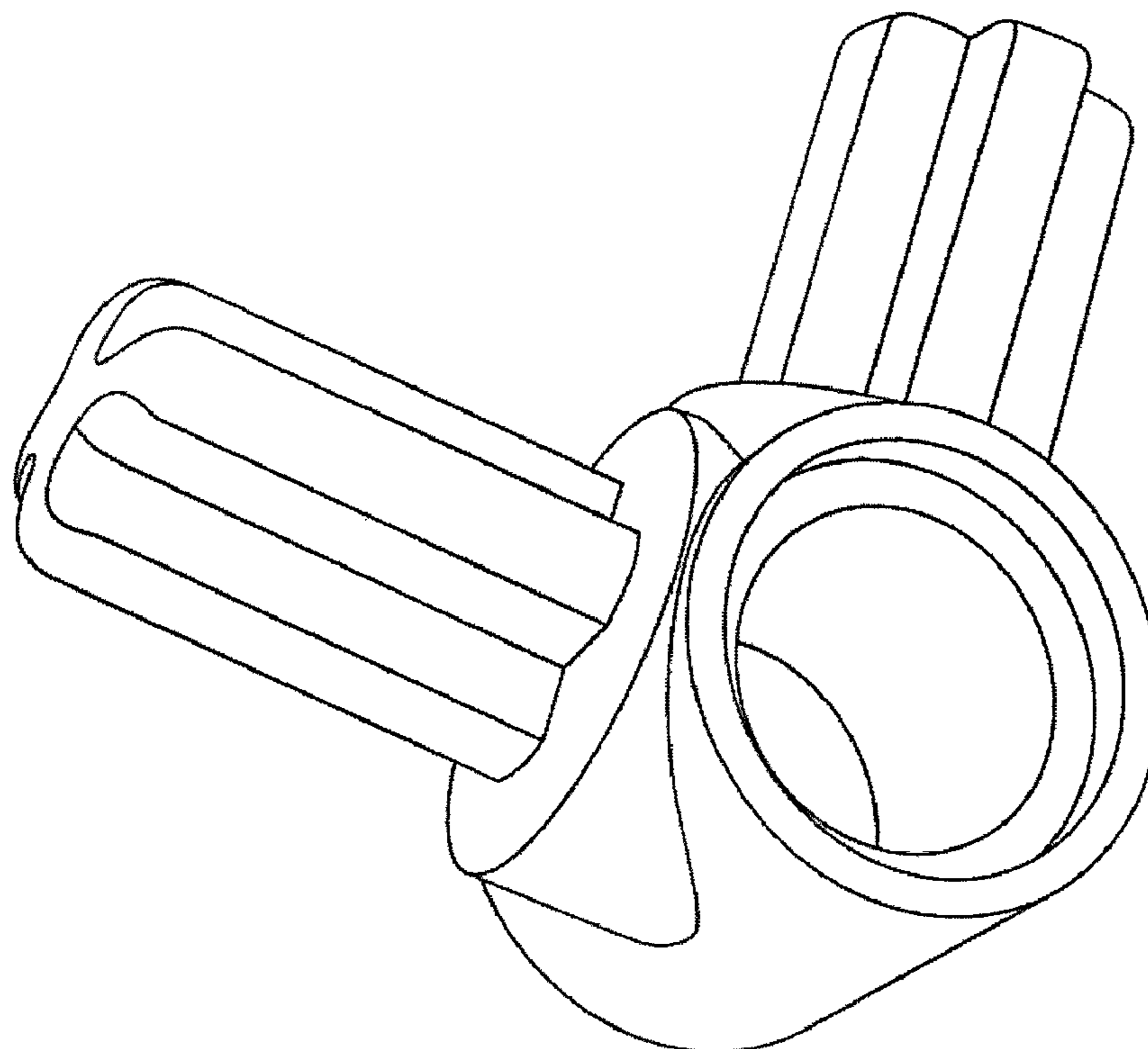
(57) **CLAIM**

The ornamental design for a construction set piece, as shown and described.

**DESCRIPTION**

FIG. 1 is a front perspective view of my ornamental design for a construction set piece;  
FIG. 2 is a front view thereof;  
FIG. 3 is a right side view thereof;  
FIG. 4 is a rear view thereof;  
FIG. 5 is a left side view thereof;  
FIG. 6 is a top plan view thereof; and,  
FIG. 7 is a bottom plan view thereof.

**1 Claim, 7 Drawing Sheets**



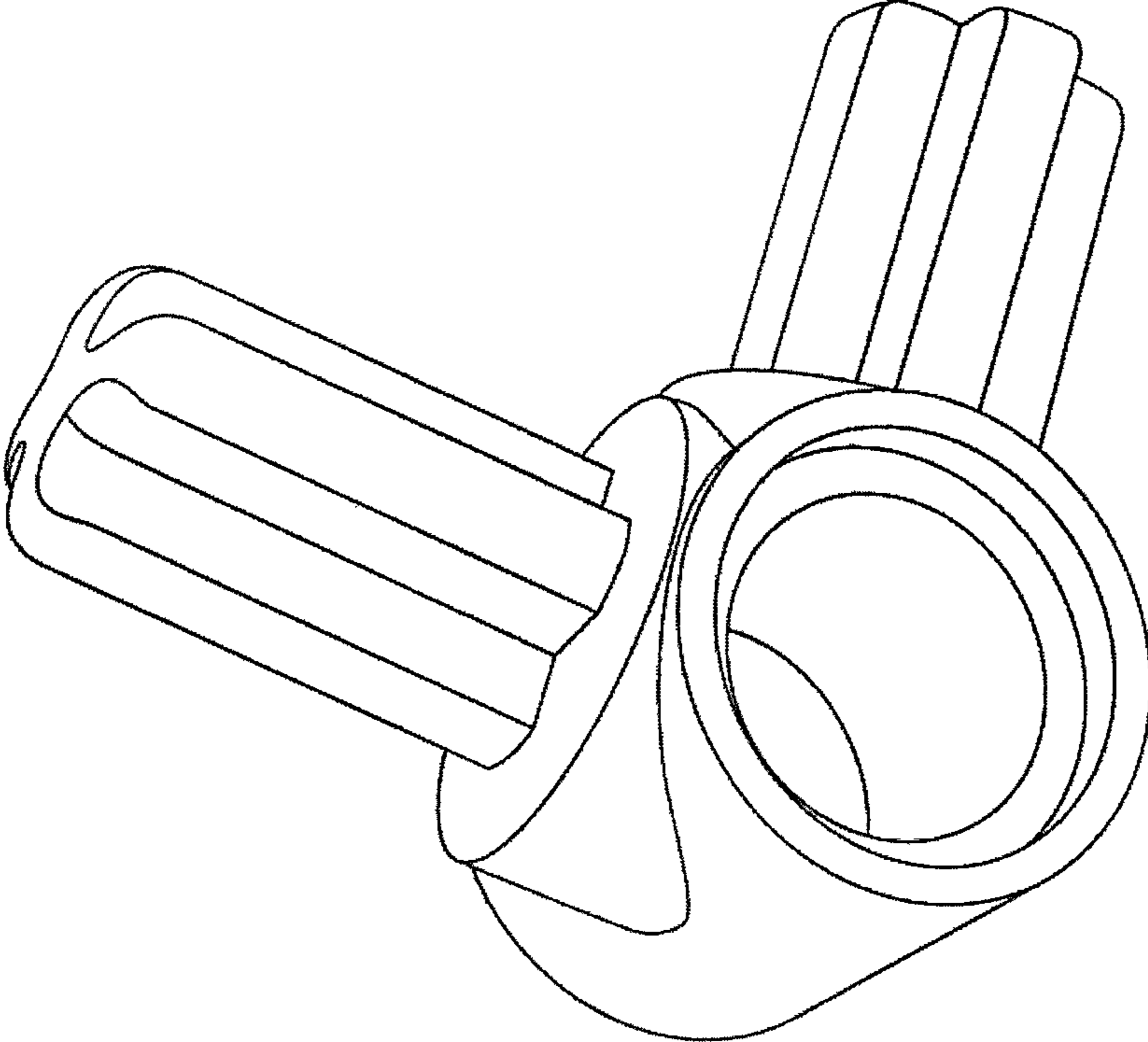


FIG. 1

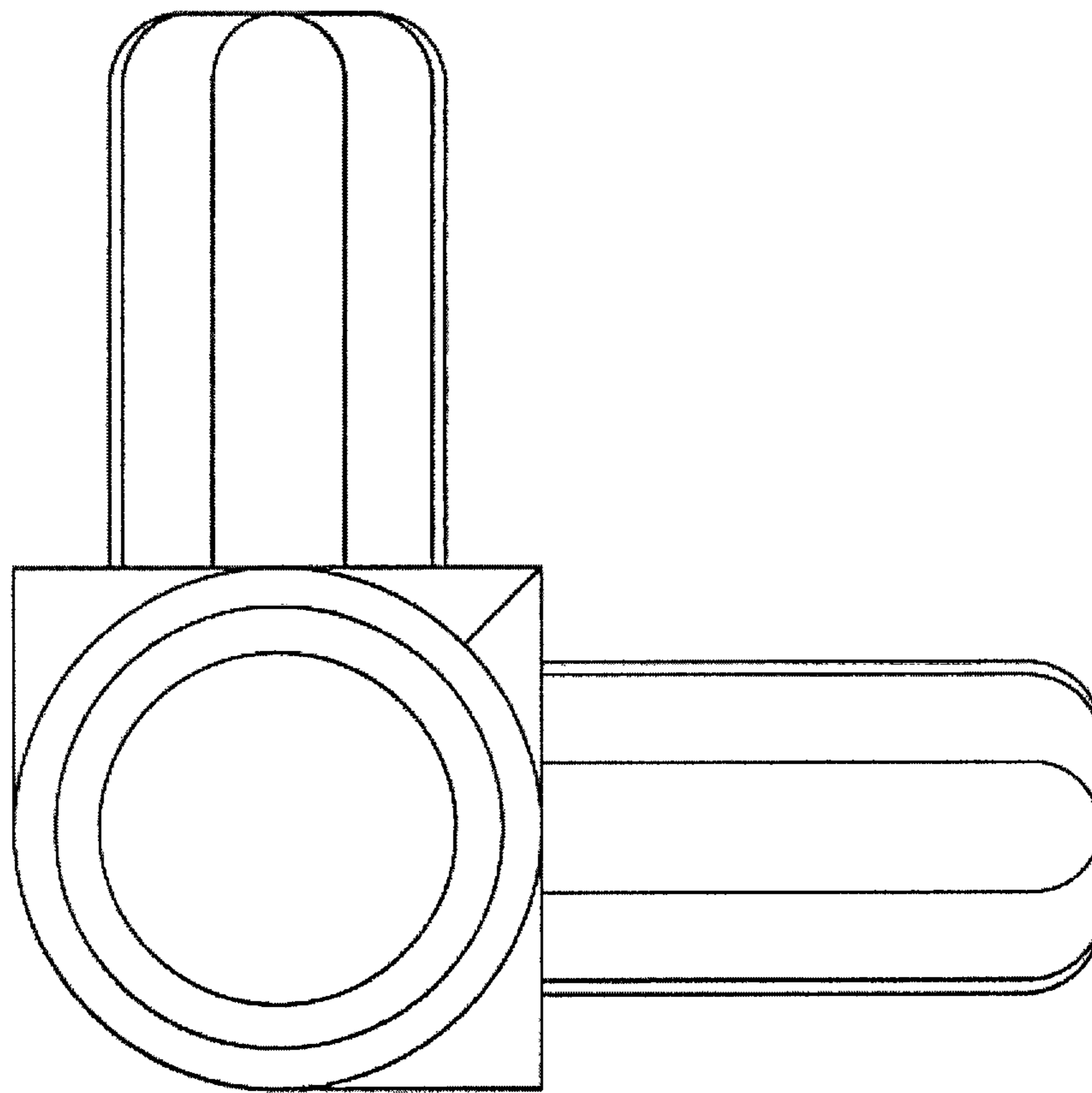


FIG. 2

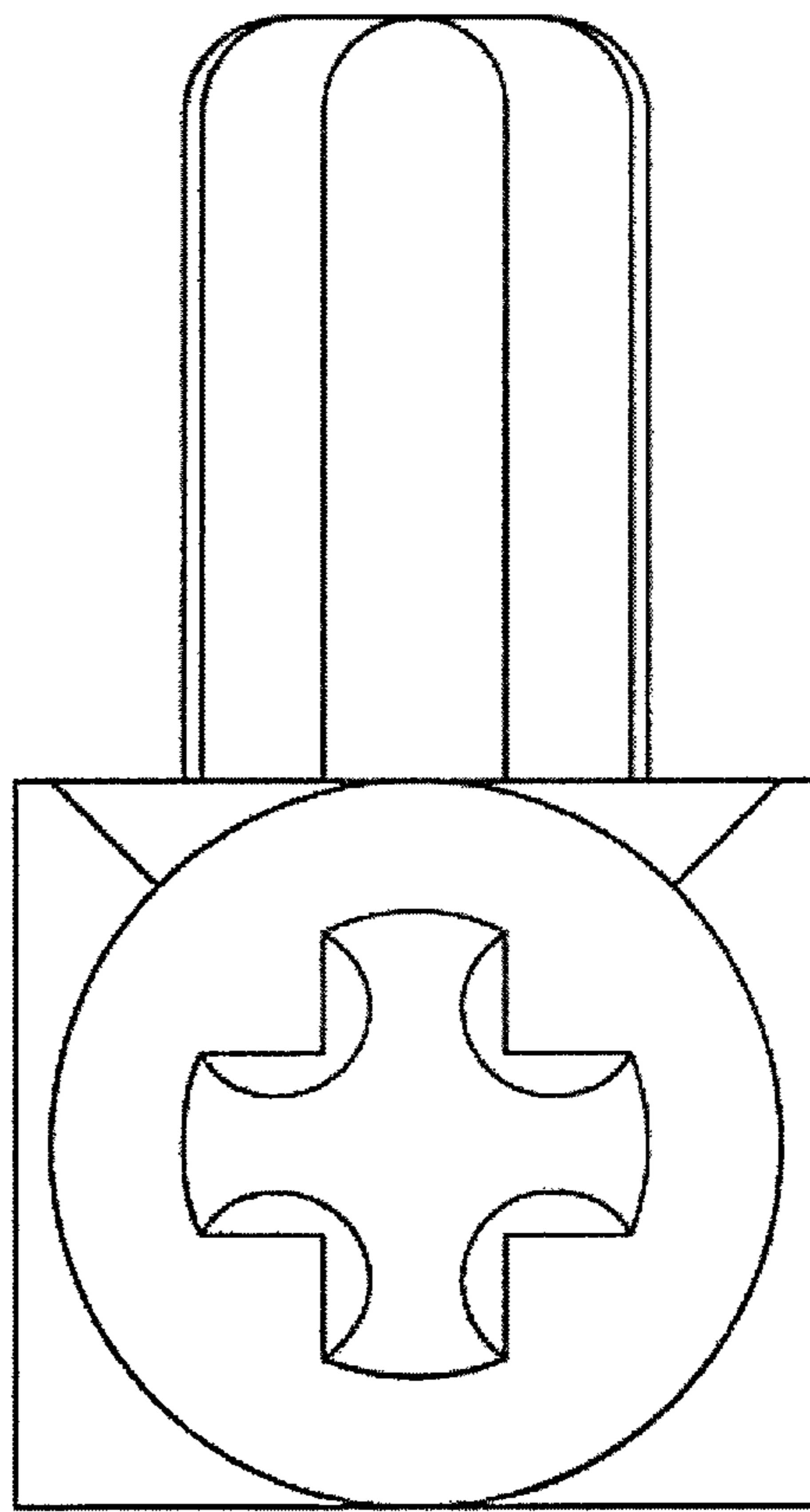


FIG. 3

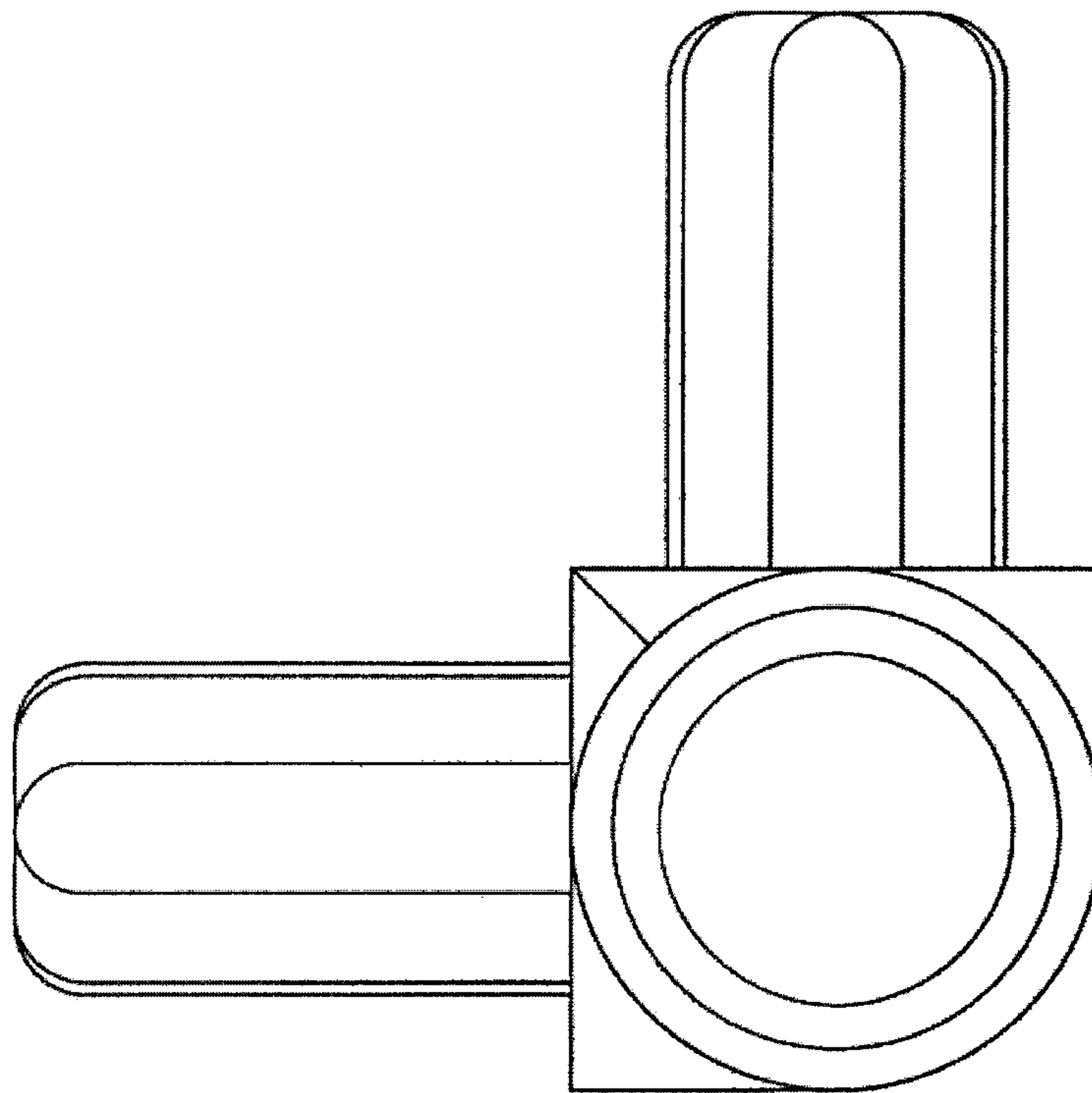


FIG. 4

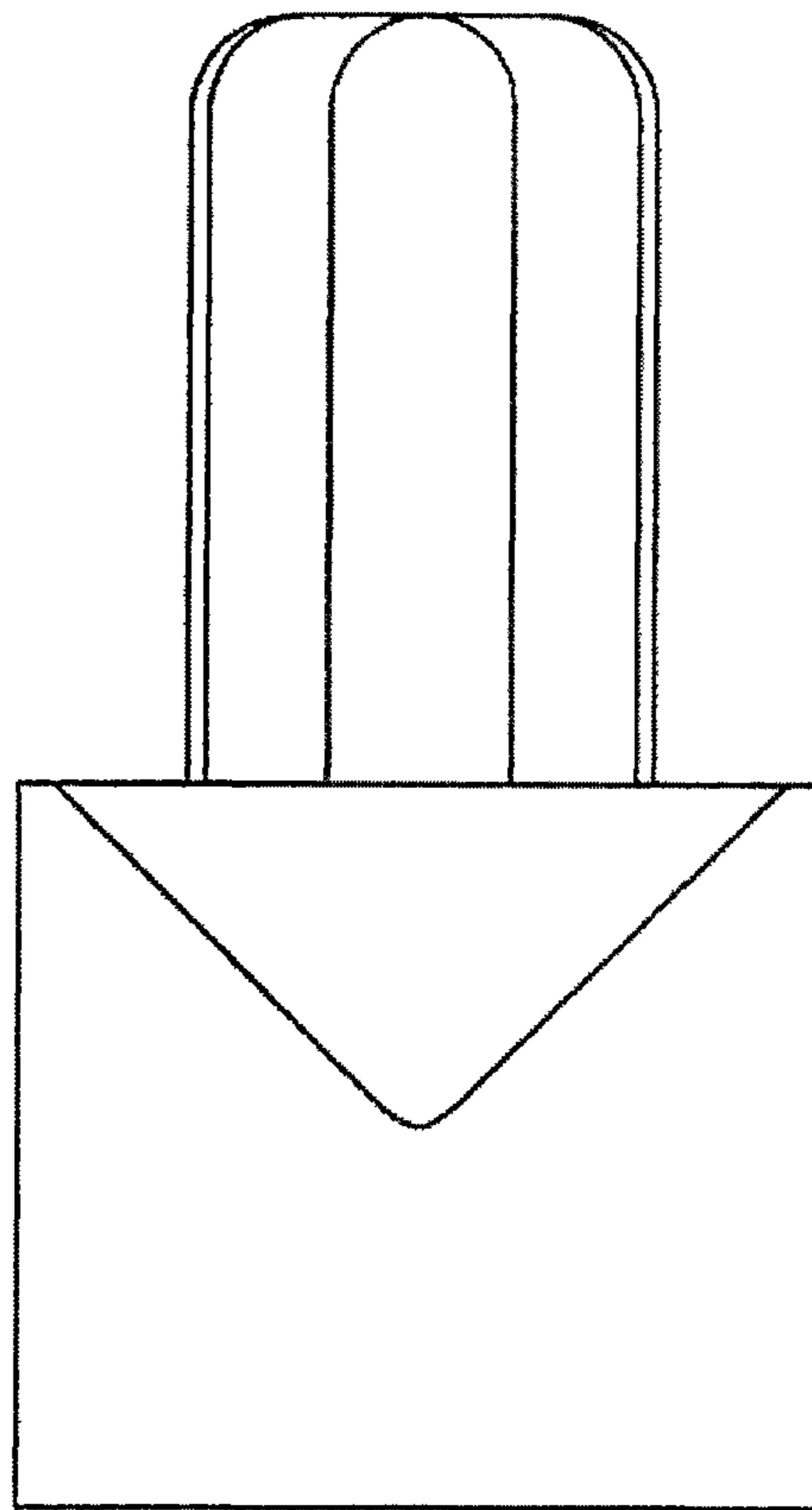


FIG. 5

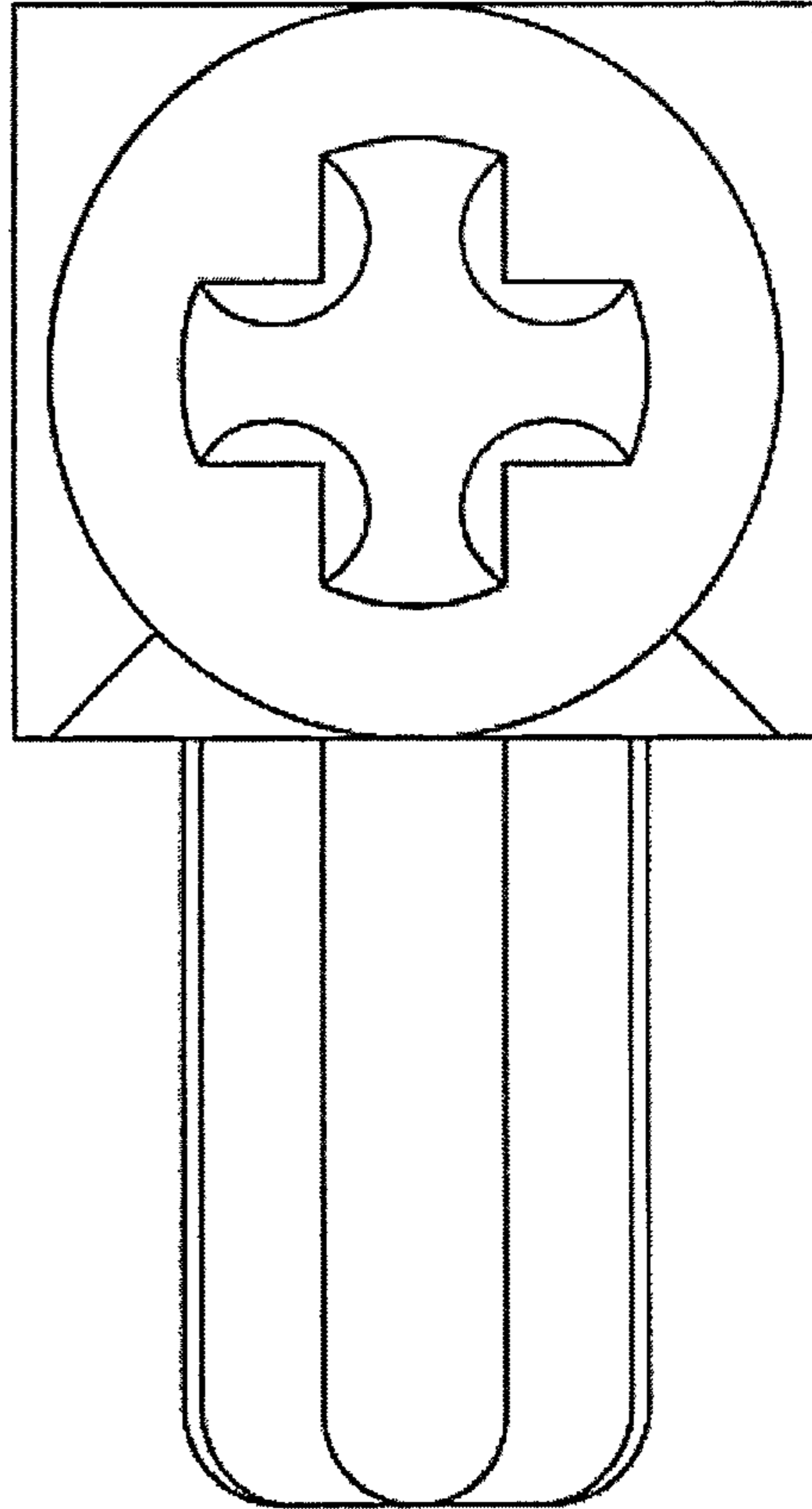


FIG. 6

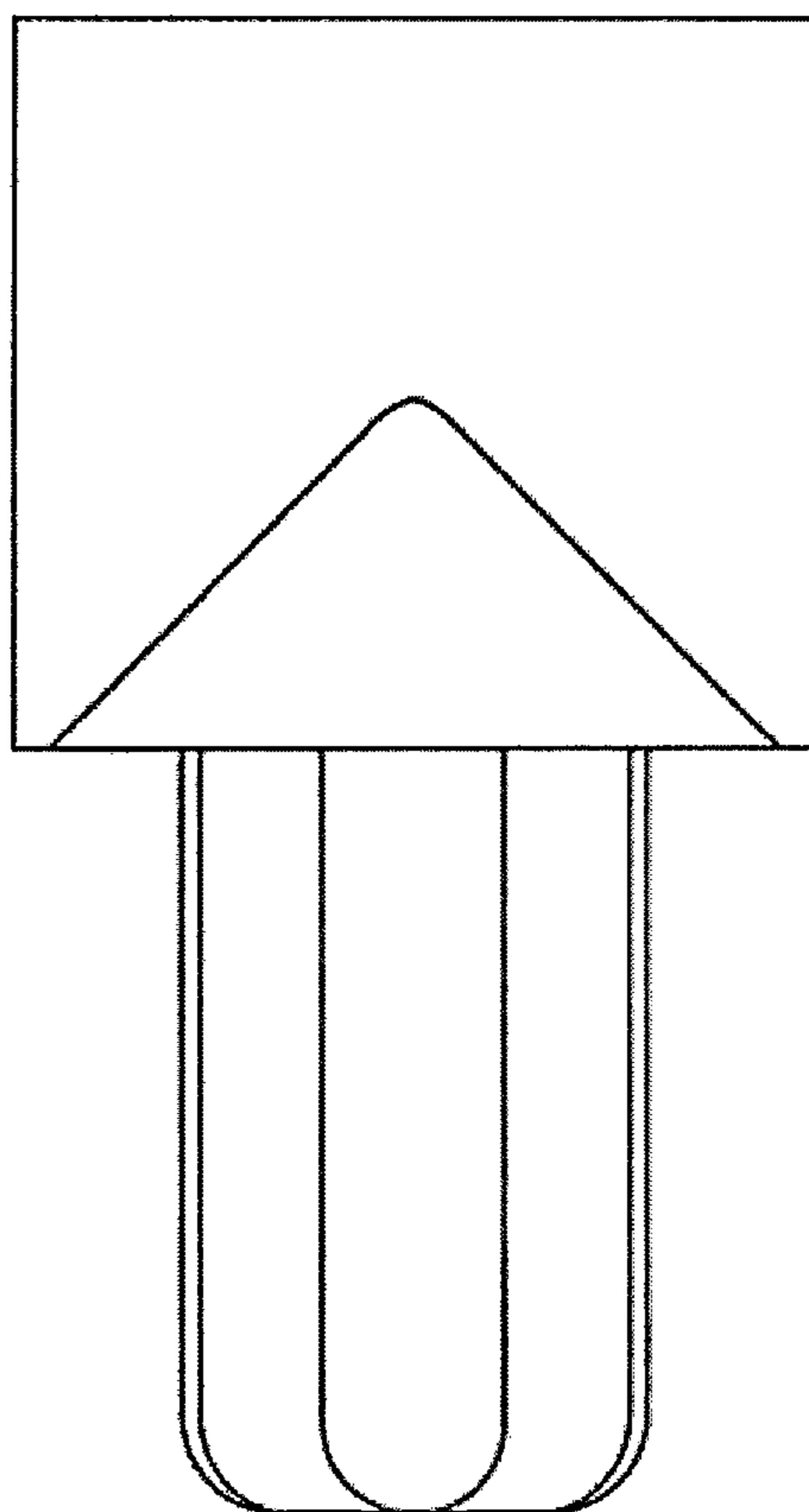


FIG. 7