



US00D690367S

(12) **United States Design Patent**
Bruegmann

(10) **Patent No.:** **US D690,367 S**

(45) **Date of Patent:** **** Sep. 24, 2013**

(54) **LABEL HOLDER**

(71) Applicant: **Bruegmann, U.S.A., Inc.**, Houston, TX
(US)

(72) Inventor: **Malte Bruegmann**, Houston, TX (US)

(73) Assignee: **Bruegmann USA, Inc.**, Houston, TX
(US)

(**) Term: **14 Years**

(21) Appl. No.: **29/435,858**

(22) Filed: **Oct. 30, 2012**

(51) **LOC (9) Cl.** **20-03**

(52) **U.S. Cl.**
USPC **D20/43**

(58) **Field of Classification Search**
USPC D20/10, 19, 42-43, 99; 40/642.01,
40/642.02, 649-651, 658, 661, 661.03; D6/300,
D6/314; D25/119, 123

See application file for complete search history.

(56) **References Cited**

U.S. PATENT DOCUMENTS

D311,457	S	*	10/1990	Shapiro	D6/314
5,941,003	A	*	8/1999	Thalenfeld	40/642.01
D432,177	S	*	10/2000	Wildrick	D20/44
D485,582	S	*	1/2004	Valiulis	D20/44
D510,602	S	*	10/2005	Wasilko	D20/44
D514,166	S	*	1/2006	Brinkman	D20/44
D573,656	S	*	7/2008	Wamsley	D20/43
D607,061	S	*	12/2009	Kosir	D20/44
D614,239	S	*	4/2010	Garfinkle et al.	D20/44
2005/0166438	A1	*	8/2005	Mueller et al.	40/661.03

* cited by examiner

Primary Examiner — Mary Ann Calabrese

(74) *Attorney, Agent, or Firm* — Richard A. Fagin

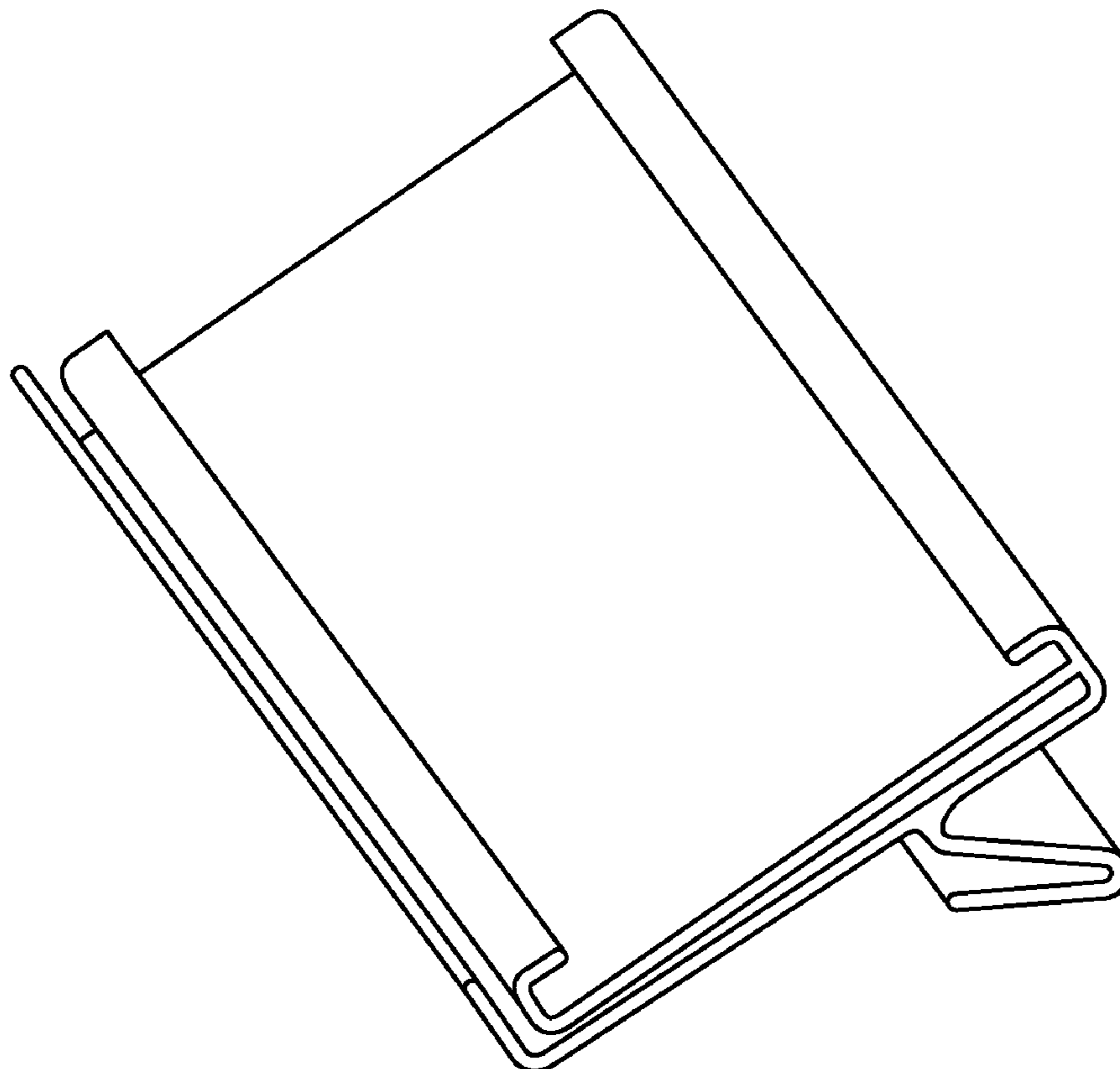
(57) **CLAIM**

The ornamental design for a label holder, as shown and described.

DESCRIPTION

FIG. 1 is a side view of the label holder.
FIG. 2 is another side view of the label holder.
FIG. 3 is an oblique view of the front of the label holder.
FIG. 4 is another oblique view of the front of the label holder.
FIG. 5 is an oblique view of the rear of the label holder; and,
FIG. 6 is another oblique view of the rear of the label holder.

1 Claim, 3 Drawing Sheets



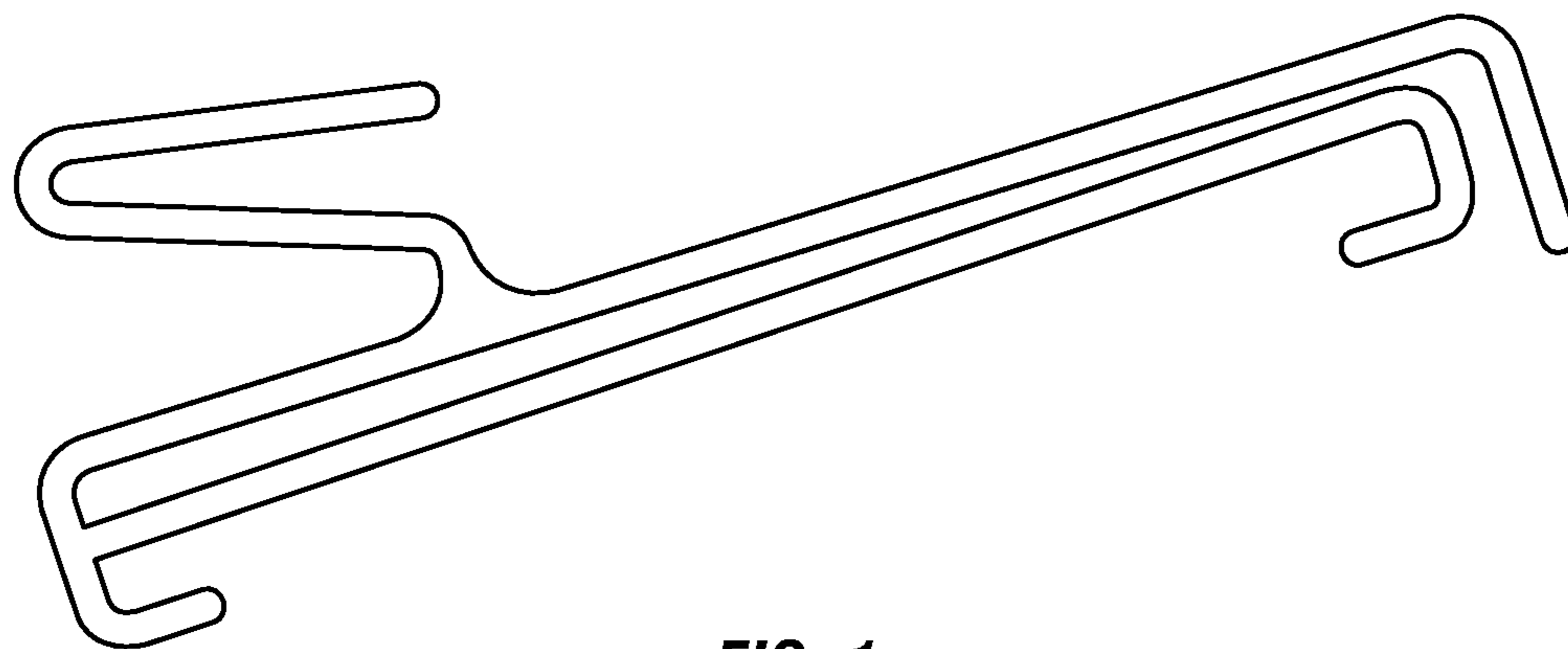


FIG. 1

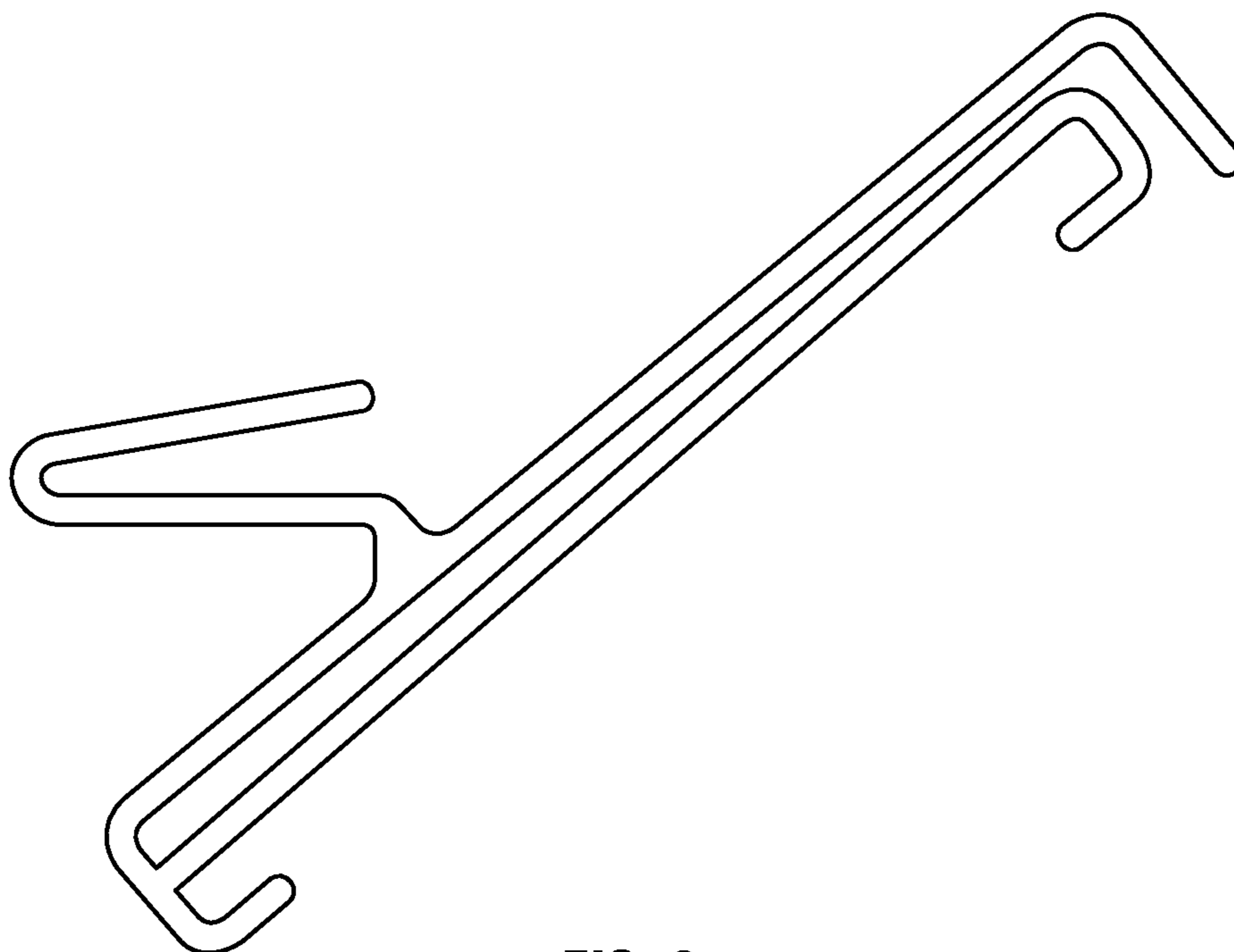


FIG. 2

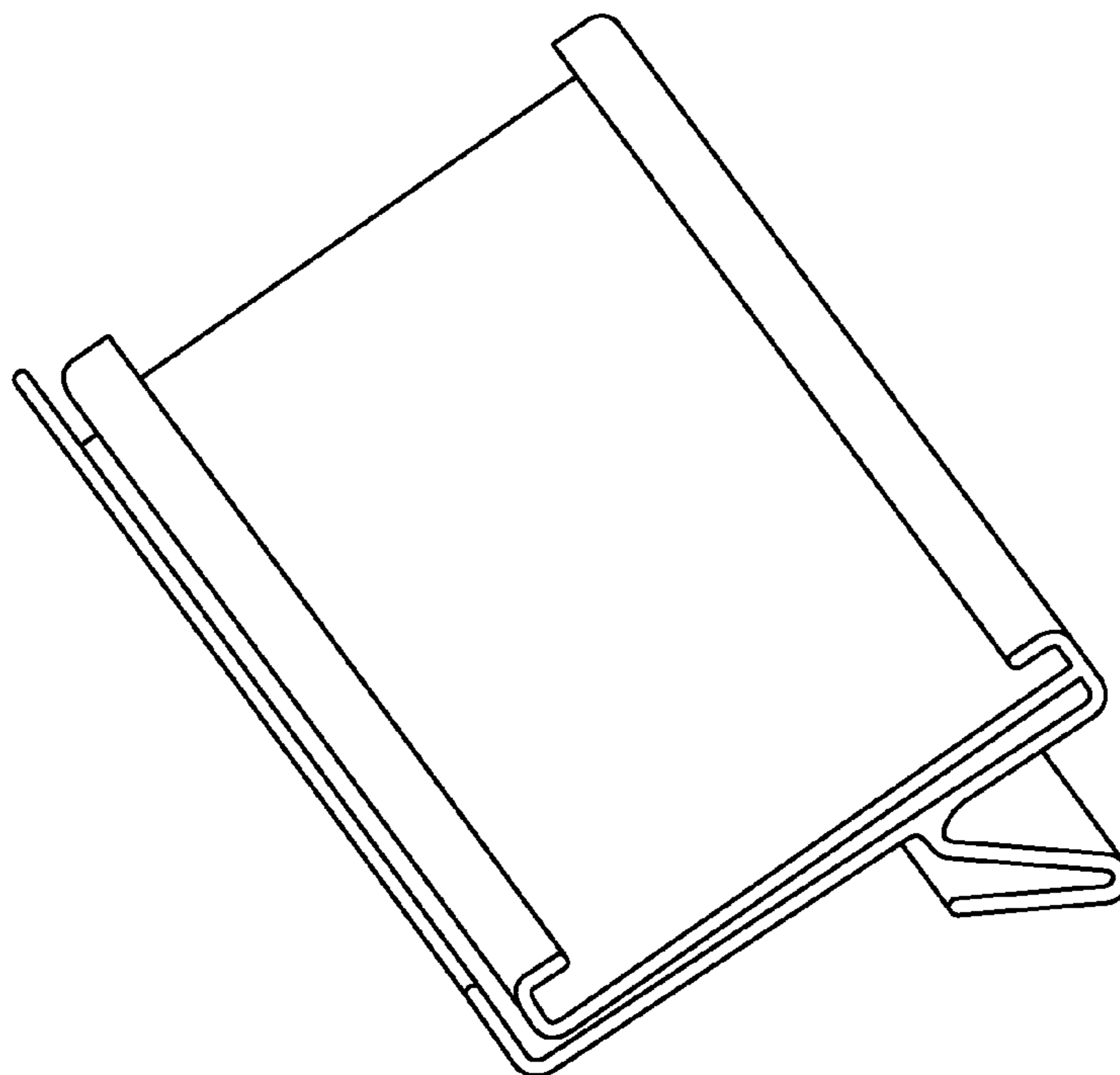


FIG. 3

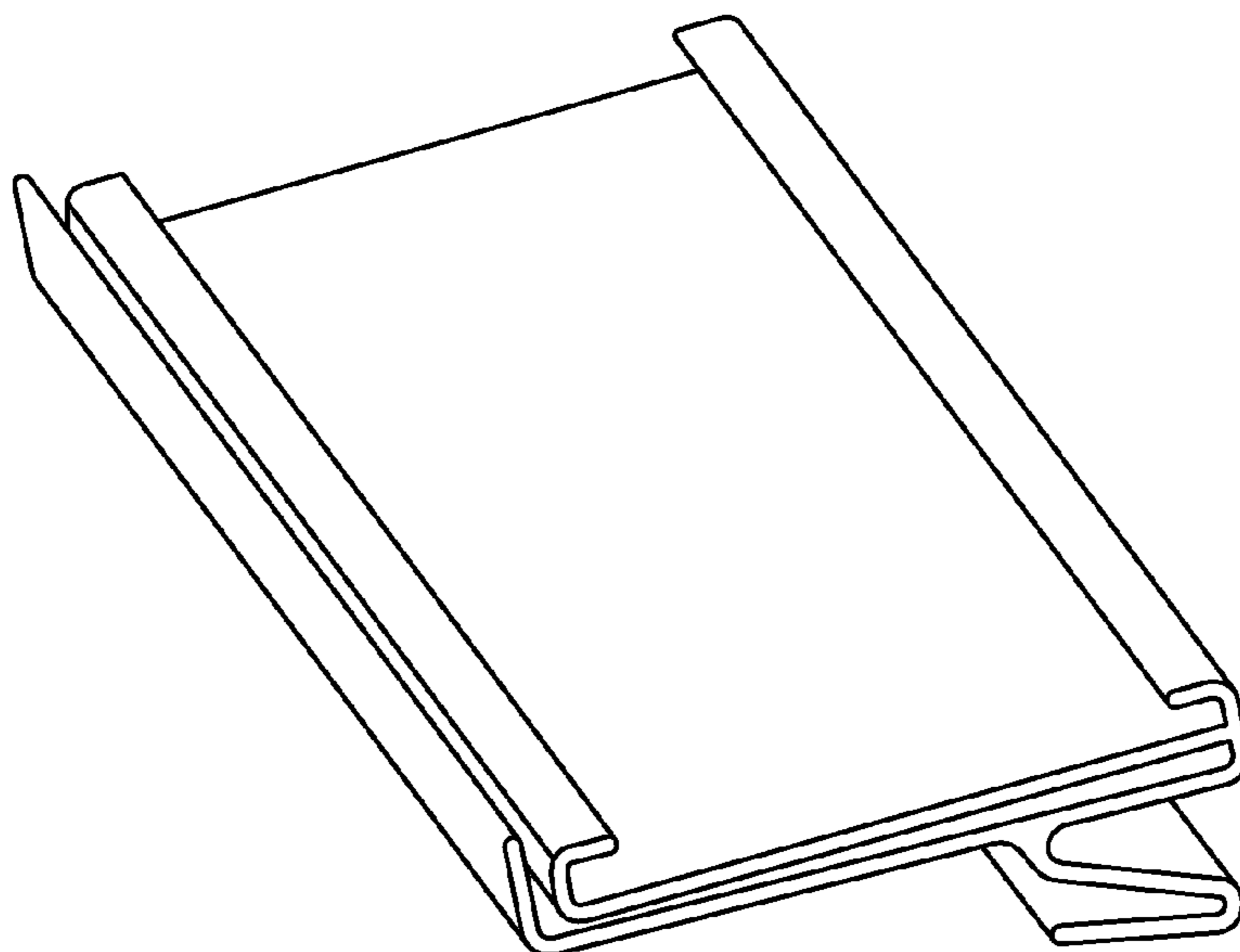


FIG. 4

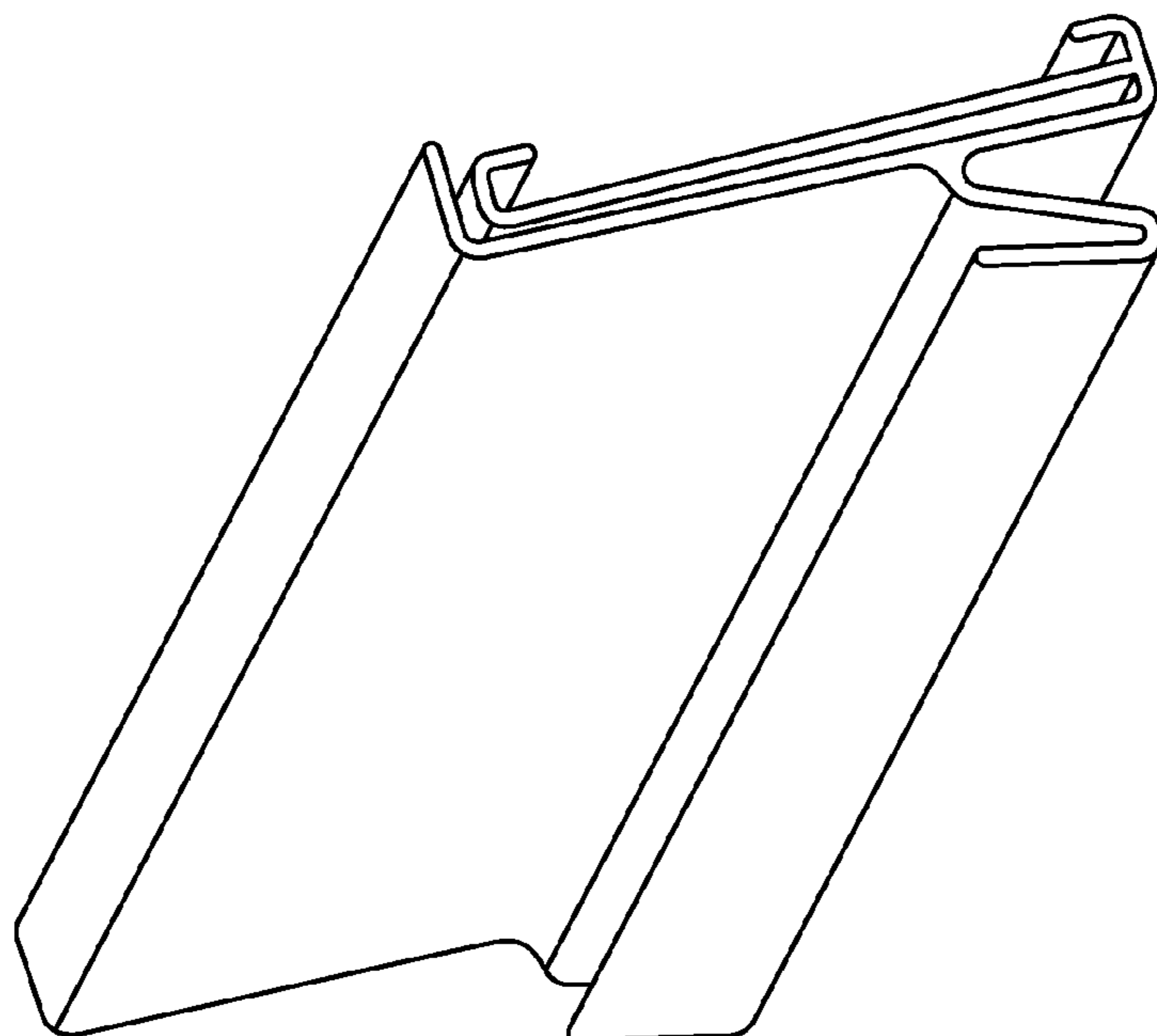


FIG. 5

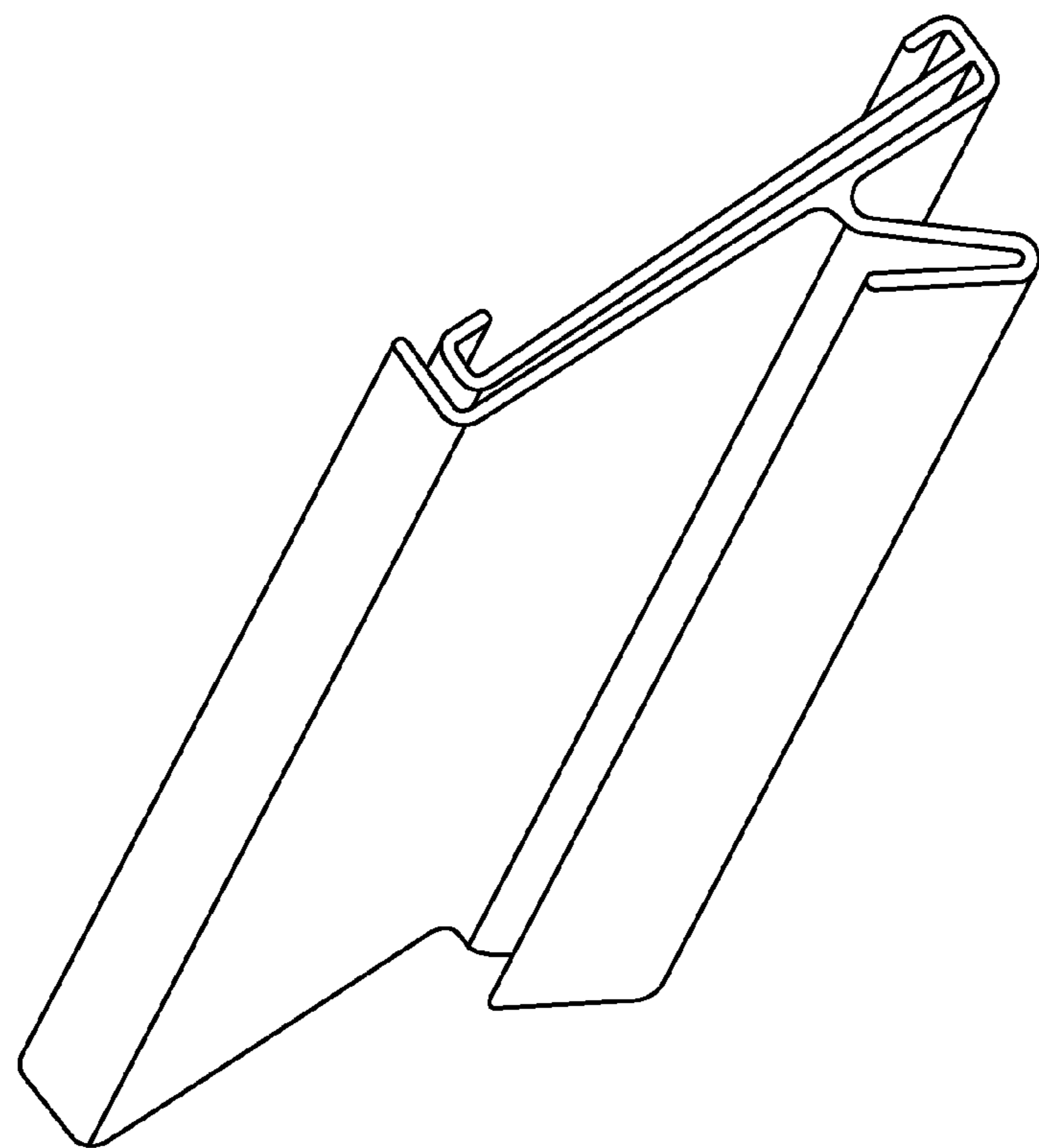


FIG. 6