



US00D690366S

(12) **United States Design Patent**  
**Bouwhuis**

(10) **Patent No.:** **US D690,366 S**

(45) **Date of Patent:** **\*\* Sep. 24, 2013**

- (54) **DOUBLE SIDED SIGN HOLDER**
- (71) Applicant: **Fasteners For Retail, Inc.**, Twinsburg, OH (US)
- (72) Inventor: **Norman Bouwhuis**, Bentonville, AR (US)
- (73) Assignee: **Fasteners For Retail, Inc.**, Twinsburg, OH (US)
- (\*\*) Term: **14 Years**
- (21) Appl. No.: **29/432,727**
- (22) Filed: **Sep. 19, 2012**
- (51) **LOC (9) Cl.** ..... **20-03**
- (52) **U.S. Cl.**  
USPC ..... **D20/43**
- (58) **Field of Classification Search**  
USPC ..... D20/10, 19, 42-44, 99; 40/642.01, 40/642.02, 649-651, 658, 661, 661.03; D8/395; D19/77; D21/386; D25/119-123; 16/225  
See application file for complete search history.

D432,404 S *	10/2000	Garfinkle	.....	D8/395
D454,917 S	3/2002	Mueller		
D511,548 S	11/2005	Wamsley		
D513,280 S	12/2005	Kosir		
D531,227 S	10/2006	Mueller et al.		
7,328,480 B2 *	2/2008	Schoemann	.....	16/225
D573,656 S	7/2008	Wamsley		
D669,135 S *	10/2012	Garfinkle	.....	D20/43

**OTHER PUBLICATIONS**

FFR-DSI Yellow Pages 2011 Product Catalog, cover page, pp. 86, 87, 101, 120, 122, 123, 125, 127, 140, 152-155, 158, 171, 173 and 183, (2011).

\* cited by examiner

*Primary Examiner* — Mary Ann Calabrese

(74) *Attorney, Agent, or Firm* — Fay Sharpe LLP

(57) **CLAIM**

The ornamental design for a double sided sign holder, as shown and described.

**DESCRIPTION**

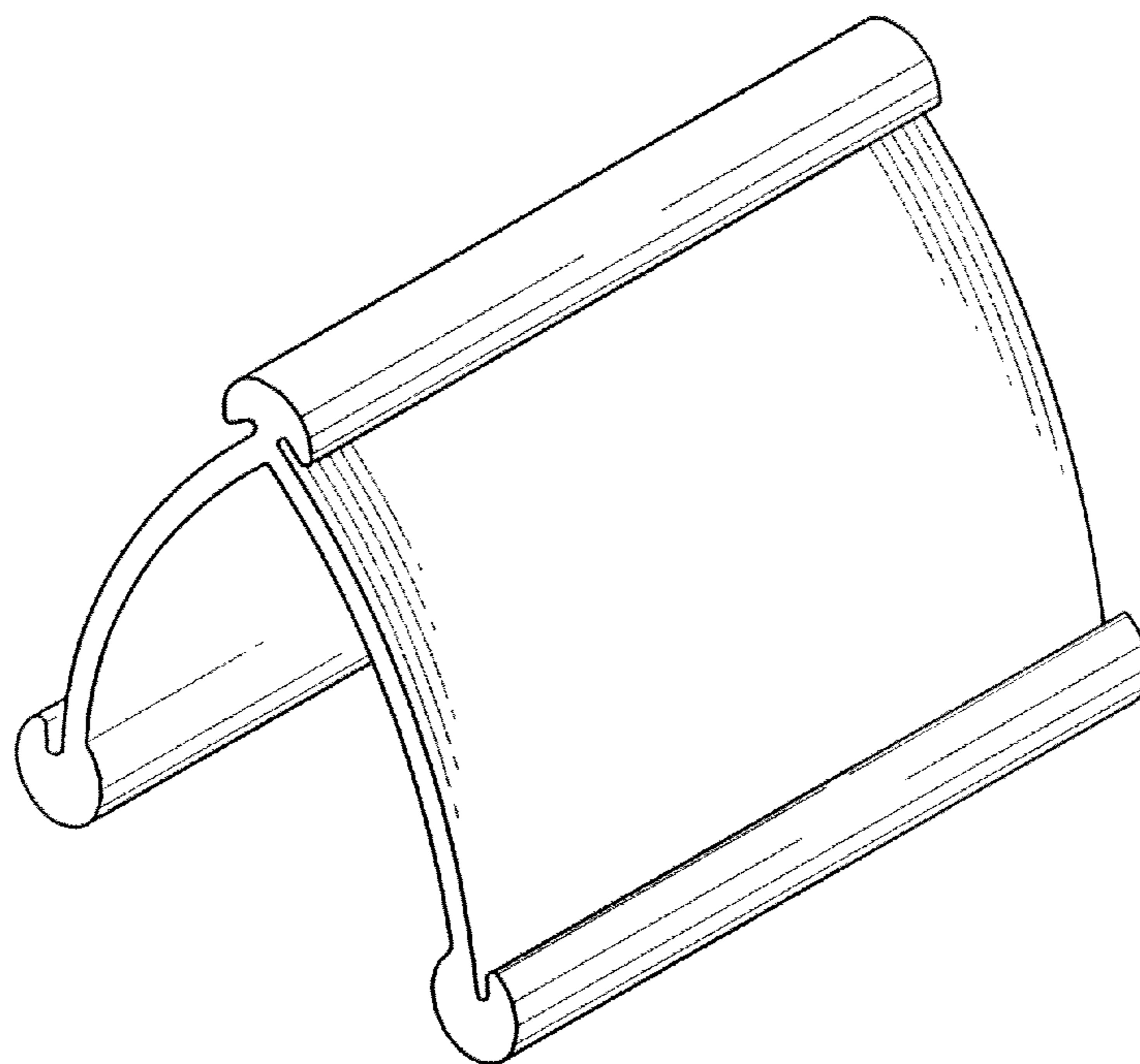
FIG. 1 is a perspective view from the upper left of a double sided sign holder showing my new design; FIG. 2 is a perspective view from the lower left thereof; FIG. 3 is a right side elevational view thereof, with the left side elevational view being a image thereof; FIG. 4 is a top plan view thereof; FIG. 5 is a bottom plan view thereof; and, FIG. 6 is a front view thereof, with a rear view being a mirror image thereof.

**1 Claim, 2 Drawing Sheets**

(56) **References Cited**

U.S. PATENT DOCUMENTS

D62,481 S *	6/1923	Fogarty	.....	D20/44
D175,481 S *	8/1955	Slavsky	.....	D20/44
D205,054 S *	6/1966	Wansky	.....	D20/44
D224,168 S *	7/1972	Hooker	.....	D19/77
D241,662 S *	9/1976	Radmall	.....	D21/386
D291,210 S *	8/1987	Labbe et al.	.....	D20/43
D344,764 S *	3/1994	Tam	.....	D20/43
D425,566 S	5/2000	Mueller et al.		



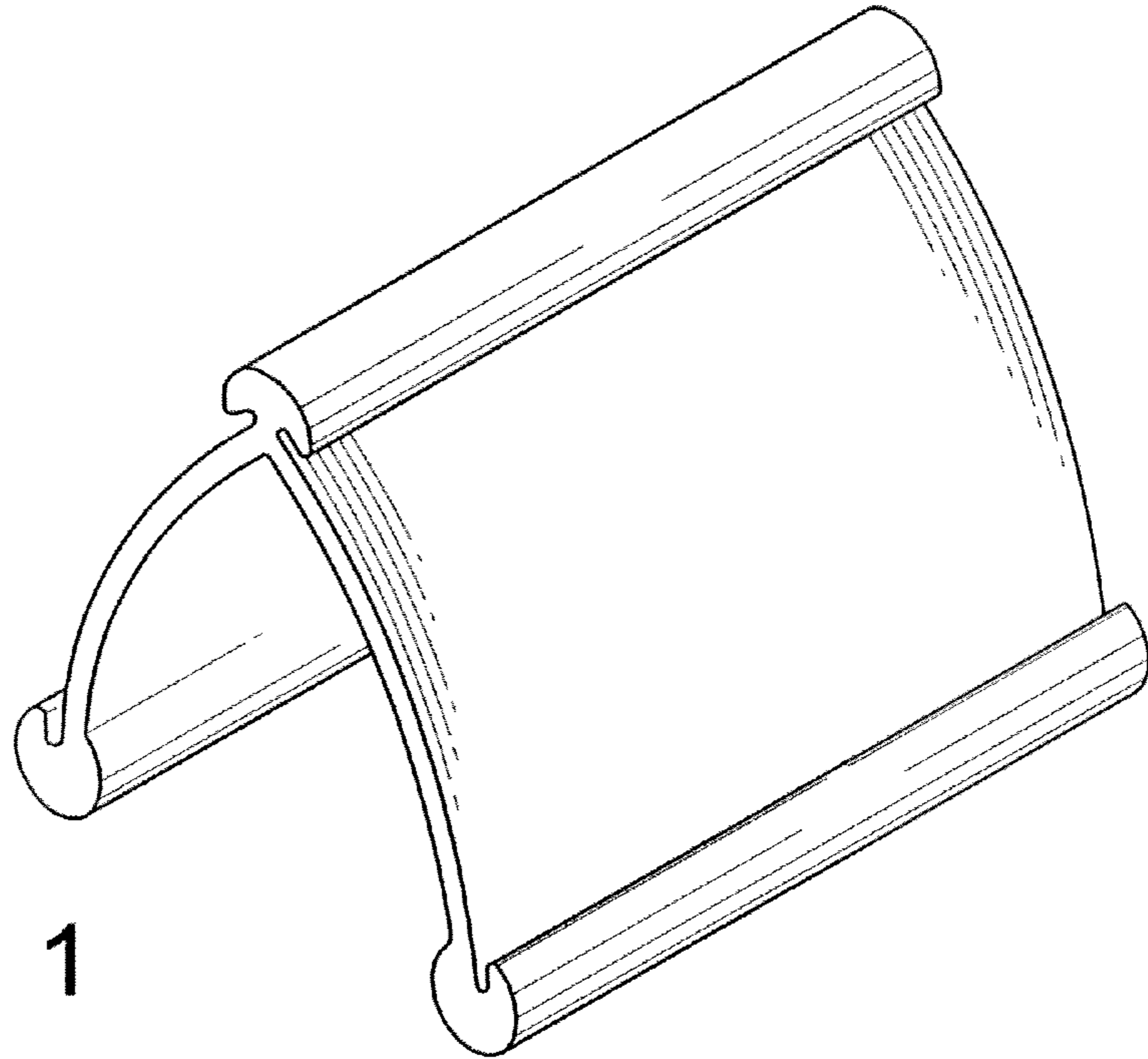


FIG. 1

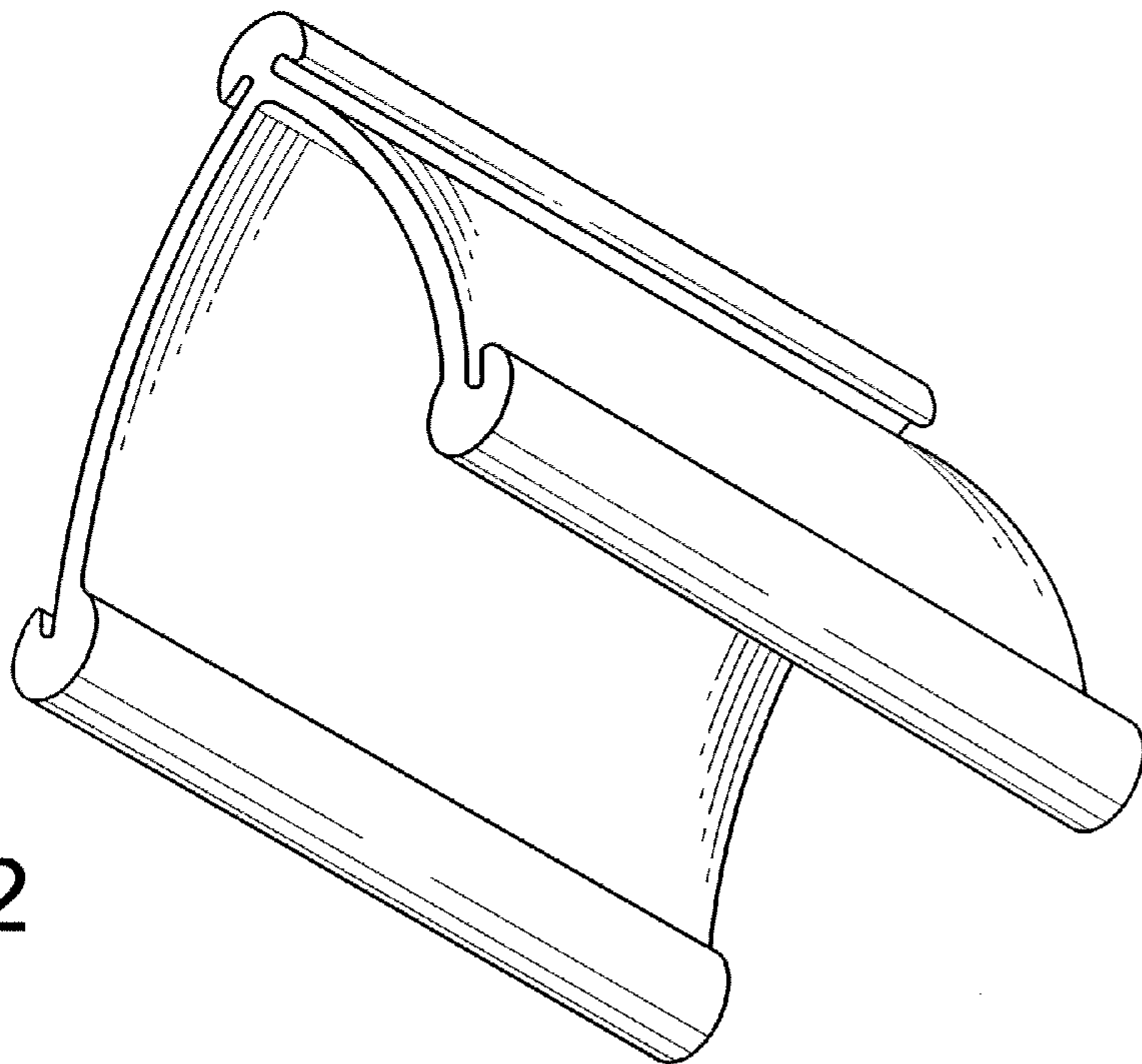


FIG. 2

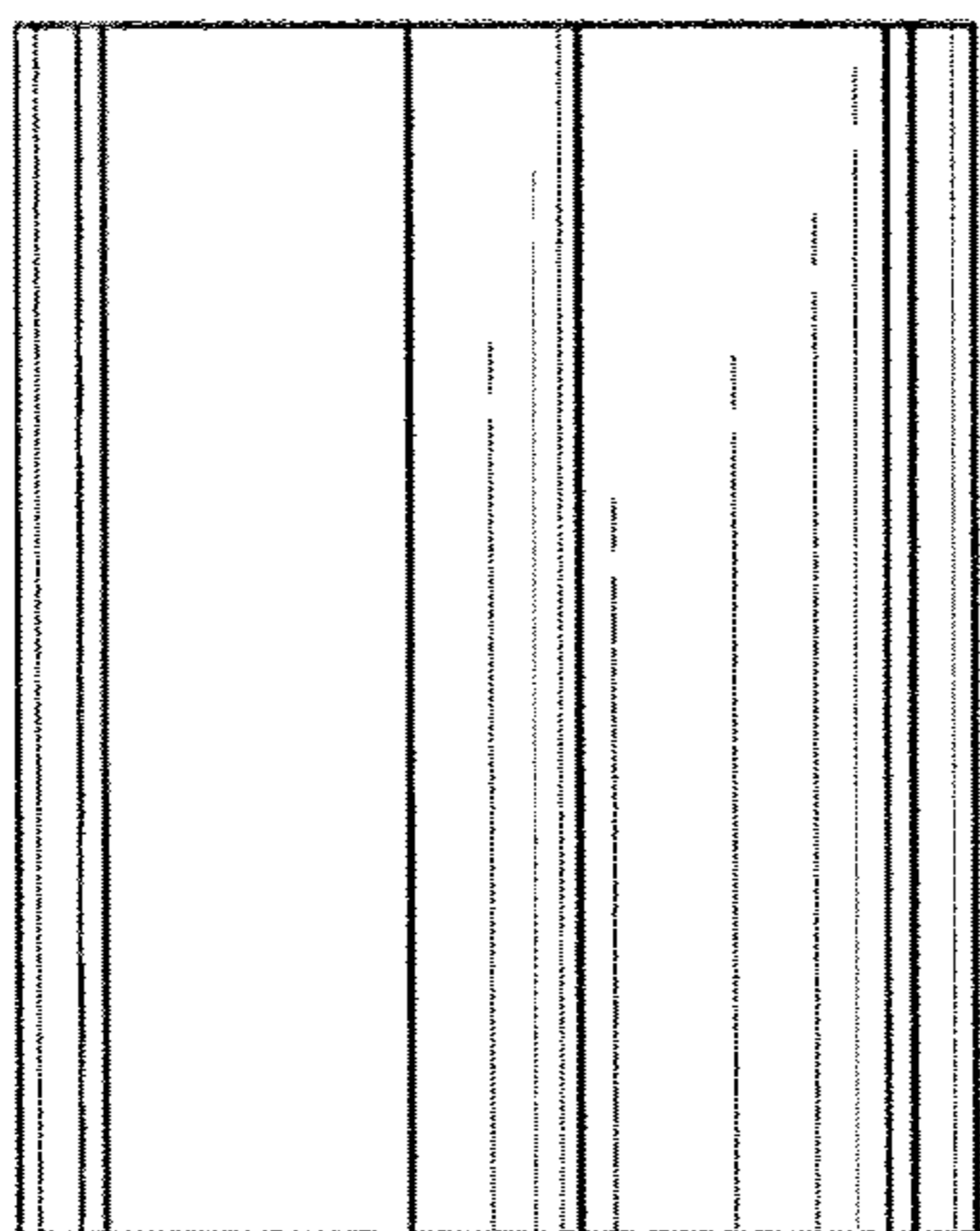


FIG. 4

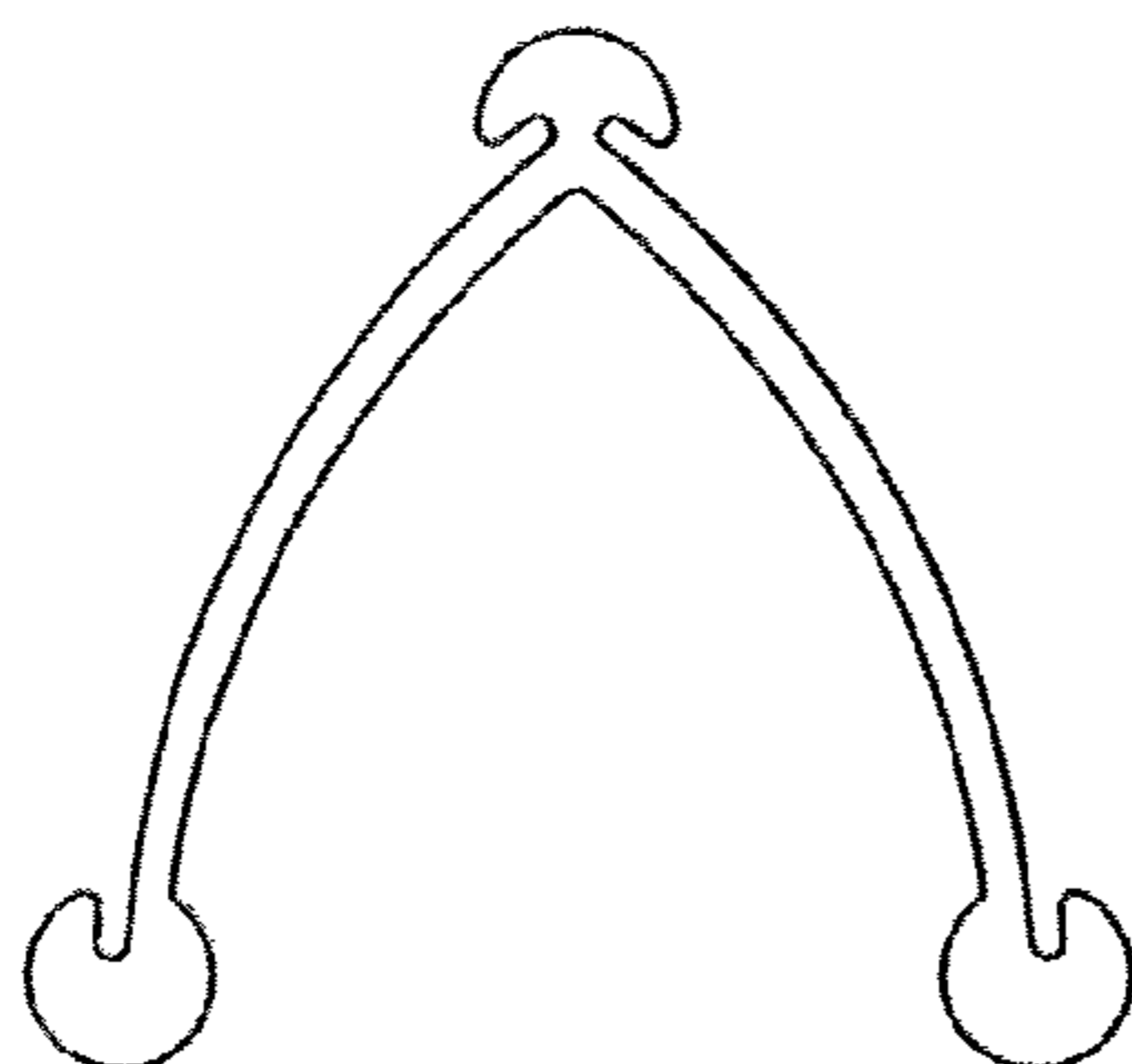


FIG. 3

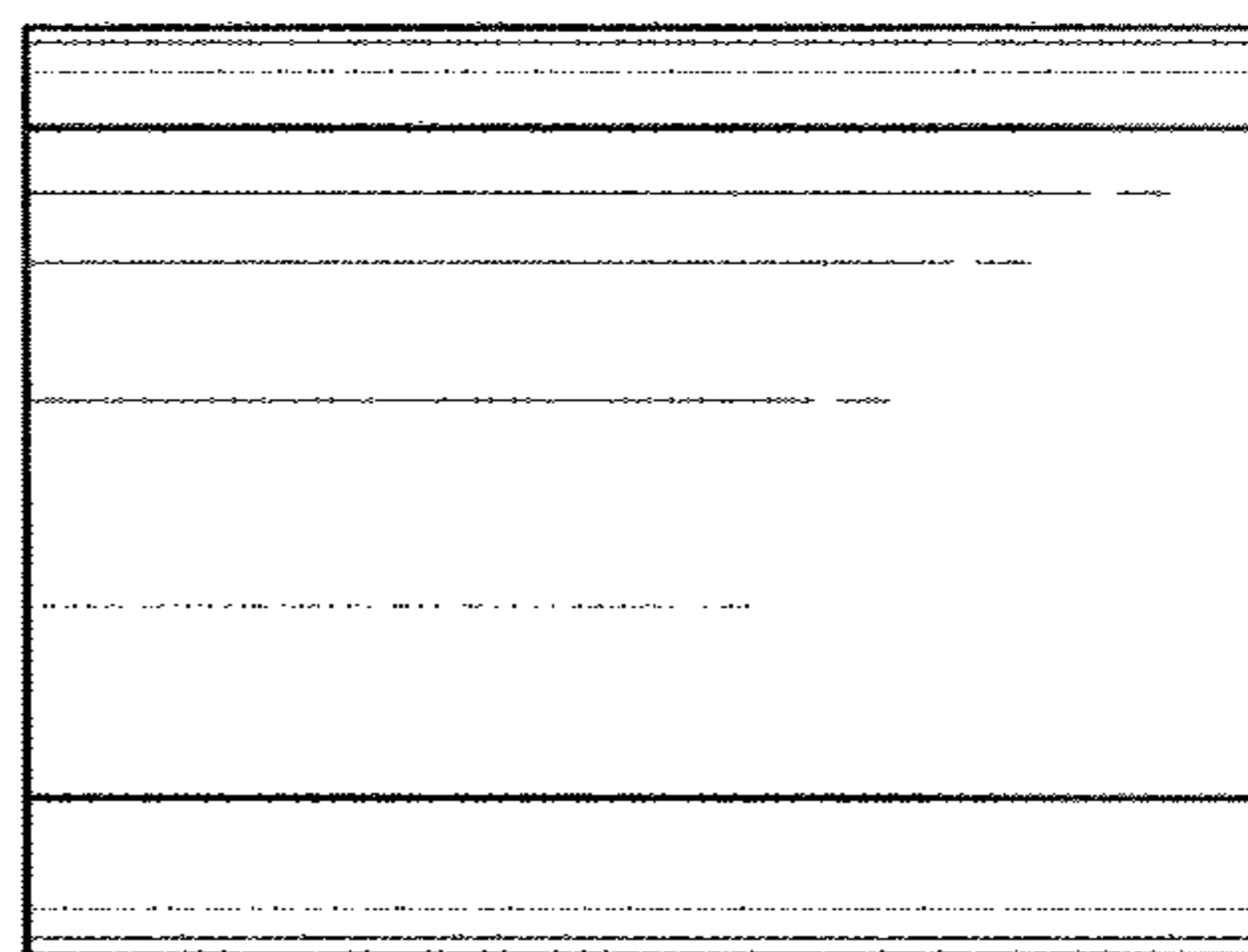


FIG. 6

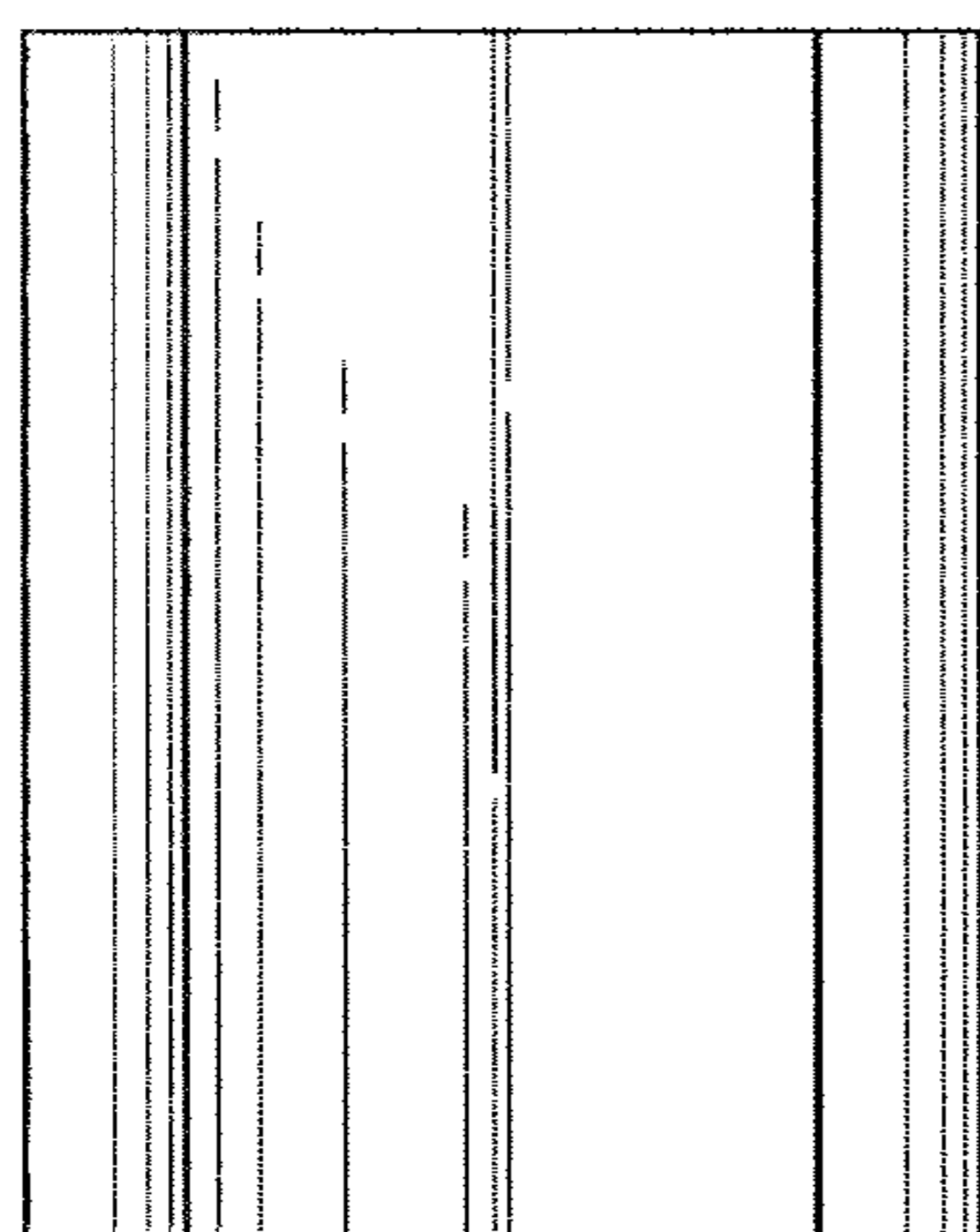


FIG. 5