

US00D690363S

(12) **United States Design Patent**
Yamanaka

(10) **Patent No.:** **US D690,363 S**

(45) **Date of Patent:** **** Sep. 24, 2013**

(54) **PEN NIB**

(76) Inventor: **Shizuo Yamanaka**, Tokyo (JP)

(**) Term: **14 Years**

(21) Appl. No.: **29/414,212**

(22) Filed: **Feb. 27, 2012**

(30) **Foreign Application Priority Data**

Sep. 15, 2011 (JP) D2011-021089

(51) **LOC (9) Cl.** **19-06**

(52) **U.S. Cl.**
USPC **D19/55**

(58) **Field of Classification Search**
USPC D14/411; D19/35, 36, 41-51, 54-58;
24/11 F, 11 P, 11 R; 401/52, 99-109, 192,
401/195, 196; D28/7, 76, 88
See application file for complete search history.

(56) **References Cited**

U.S. PATENT DOCUMENTS

D261,400 S *	10/1981	Beall et al.	D19/66
D281,512 S *	11/1985	Kobori	D19/55
4,783,185 A *	11/1988	Erismann et al.	401/37
D340,477 S *	10/1993	Regnault	D19/55

D357,700 S *	4/1995	Oka	D19/55
D389,867 S *	1/1998	Togawa	D19/55
D450,764 S *	11/2001	Rosenbaum	D19/36
6,375,376 B1 *	4/2002	Hsu	401/247
6,425,702 B1 *	7/2002	Brunetti	401/16
D465,808 S *	11/2002	Deluca et al.	D19/48
D540,382 S *	4/2007	Qiu	D19/43
D541,859 S *	5/2007	Stollery et al.	D19/48
D557,741 S *	12/2007	Lecce	D19/48
D623,225 S *	9/2010	Ryan	D19/48

* cited by examiner

Primary Examiner — Elizabeth Albert

(74) *Attorney, Agent, or Firm* — Browdy and Neimark, PLLC

(57) **CLAIM**

The ornamental design for a pen nib, as shown and described.

DESCRIPTION

FIG. 1 is a perspective view of a pen nib;
FIG. 2 is a front view of a pen nib;
FIG. 3 is a rear view of a pen nib;
FIG. 4 is a left side elevation of a pen nib;
FIG. 5 is a top plan view of a pen nib; and,
FIG. 6 is a bottom view of a pen nib.
The broken lines showing the feature at the end in FIGS. 2, 3, 5 and 6 are included for the purpose of showing a portion of the pen nib that forms no part of the claimed design.

1 Claim, 3 Drawing Sheets

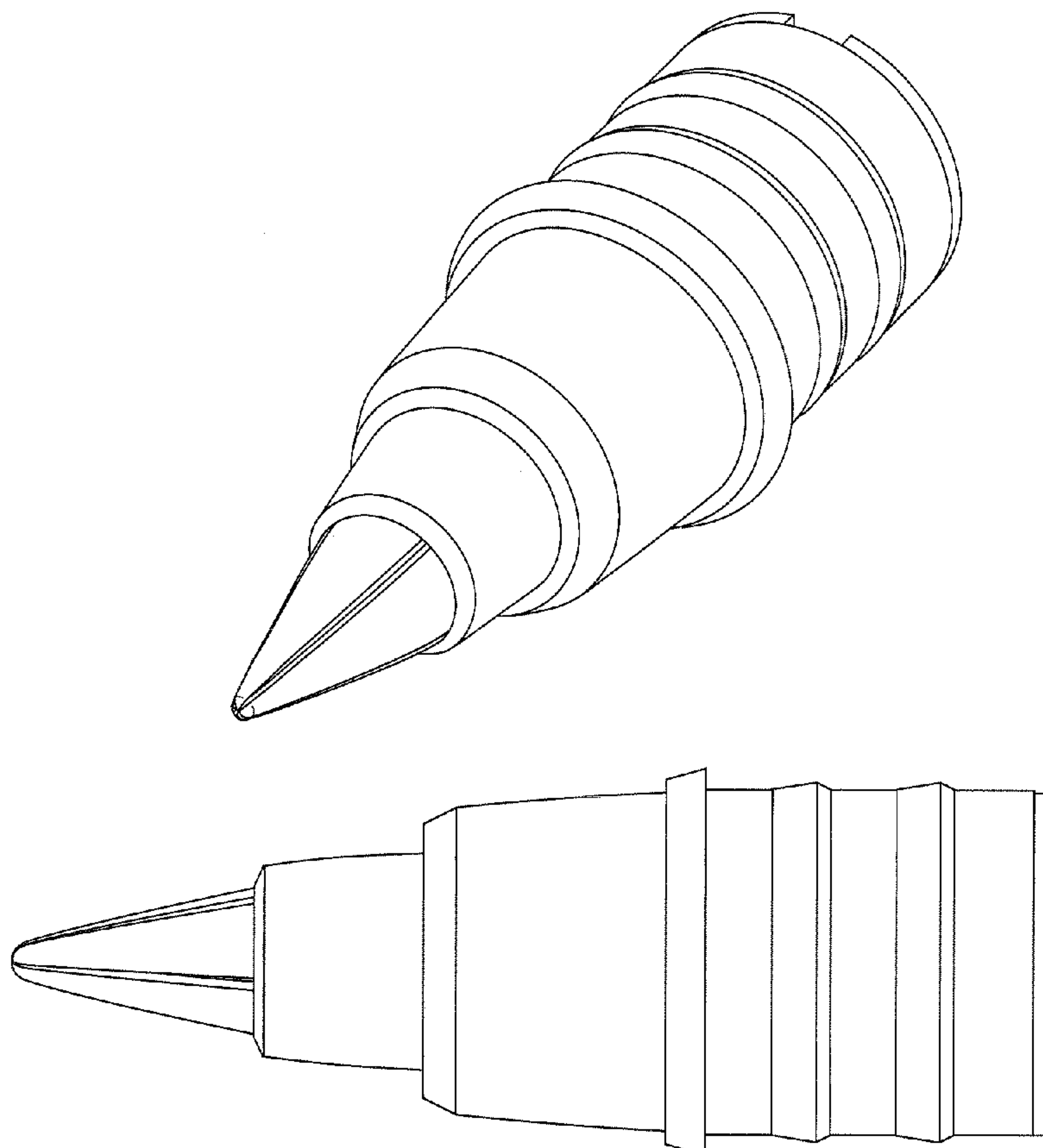


FIG. 1

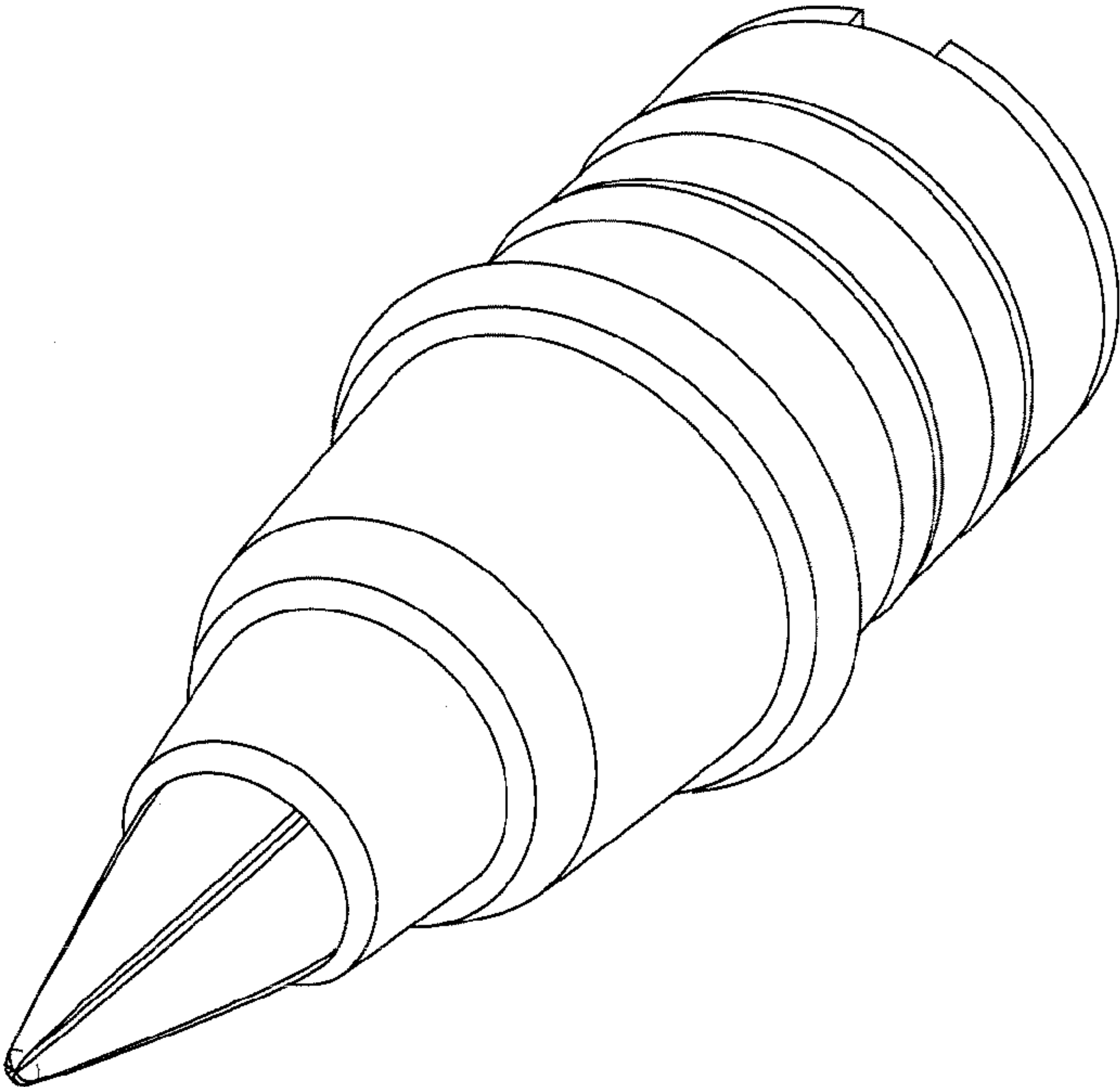


FIG. 2

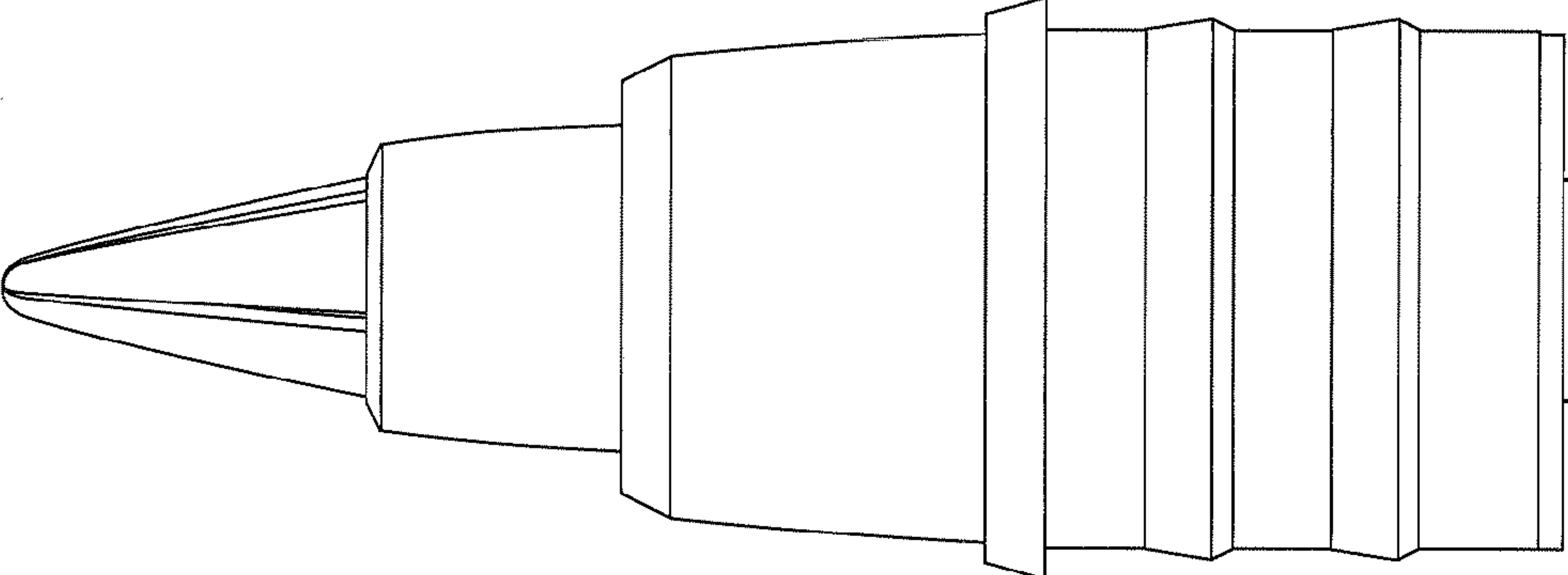


FIG. 3

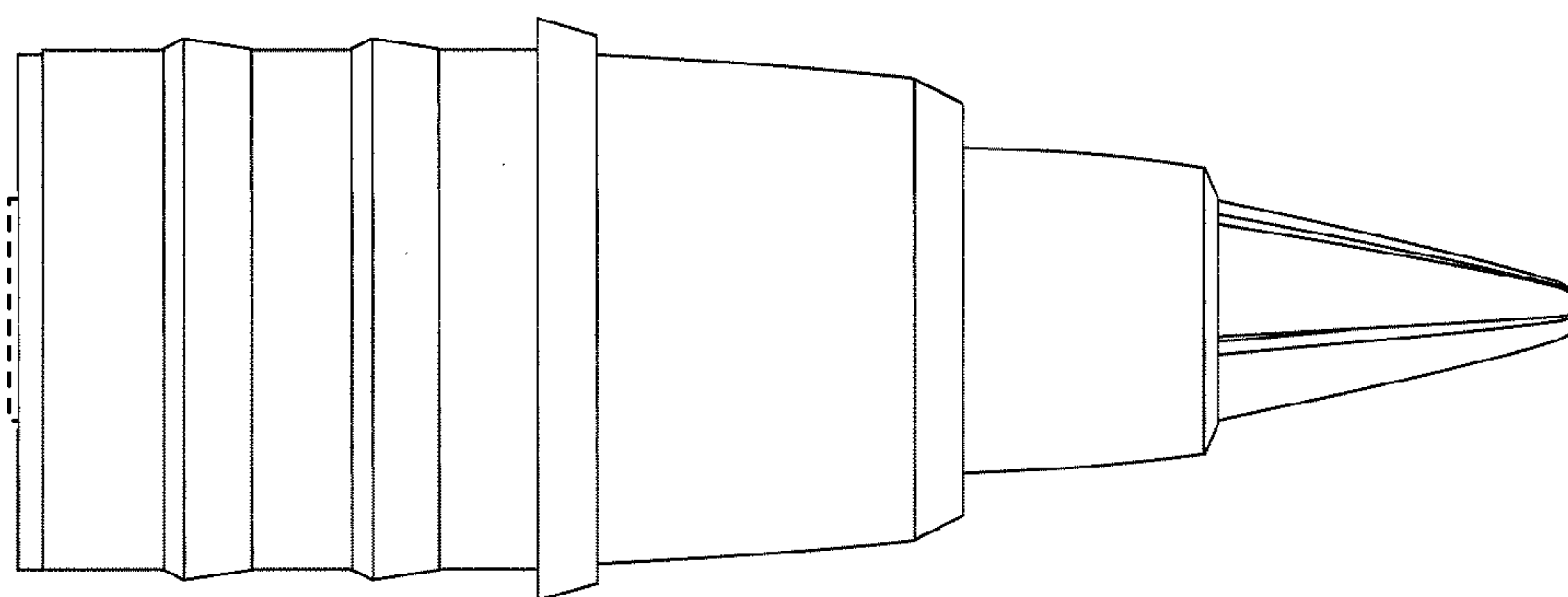


FIG. 4

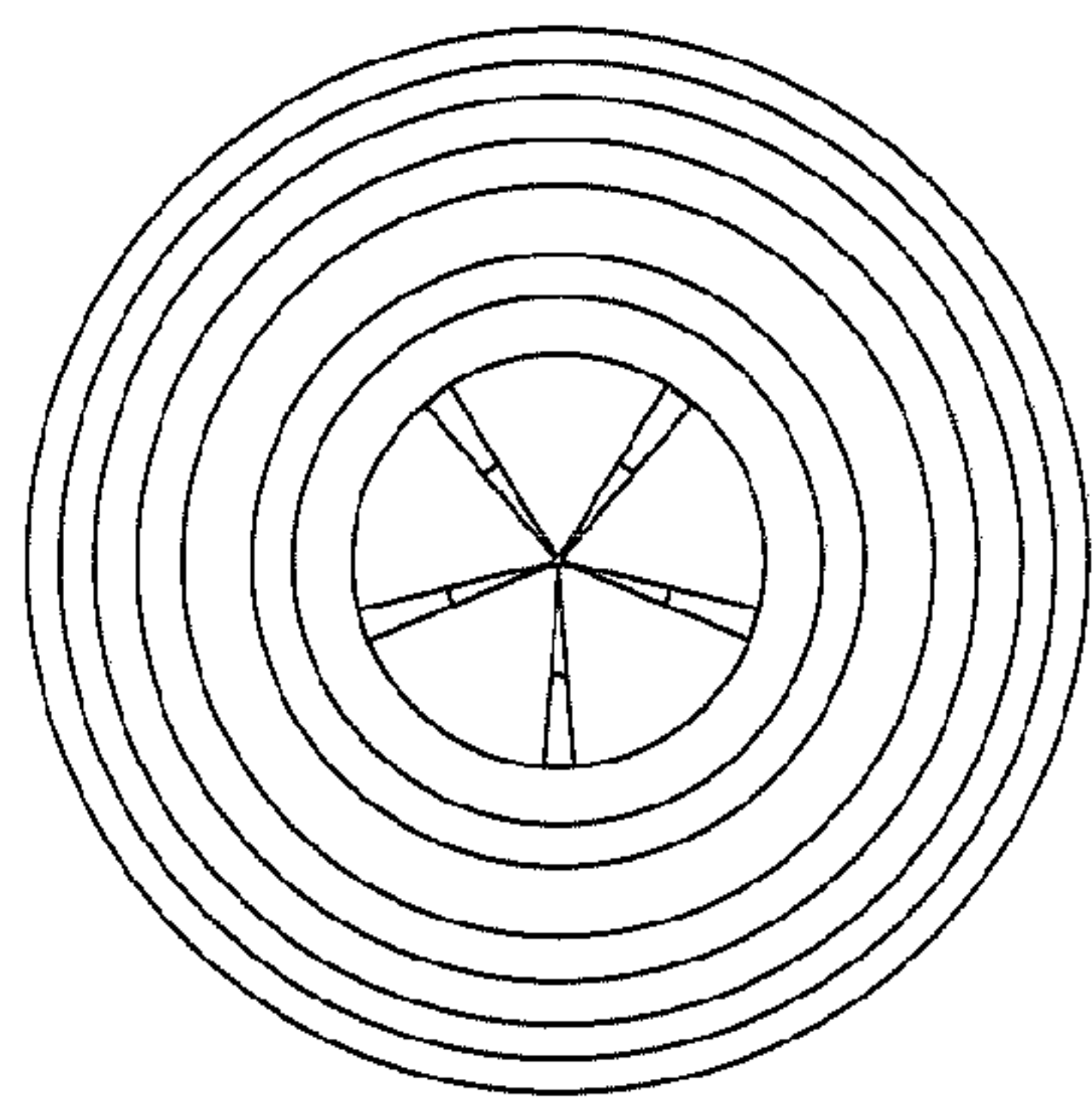


FIG. 5

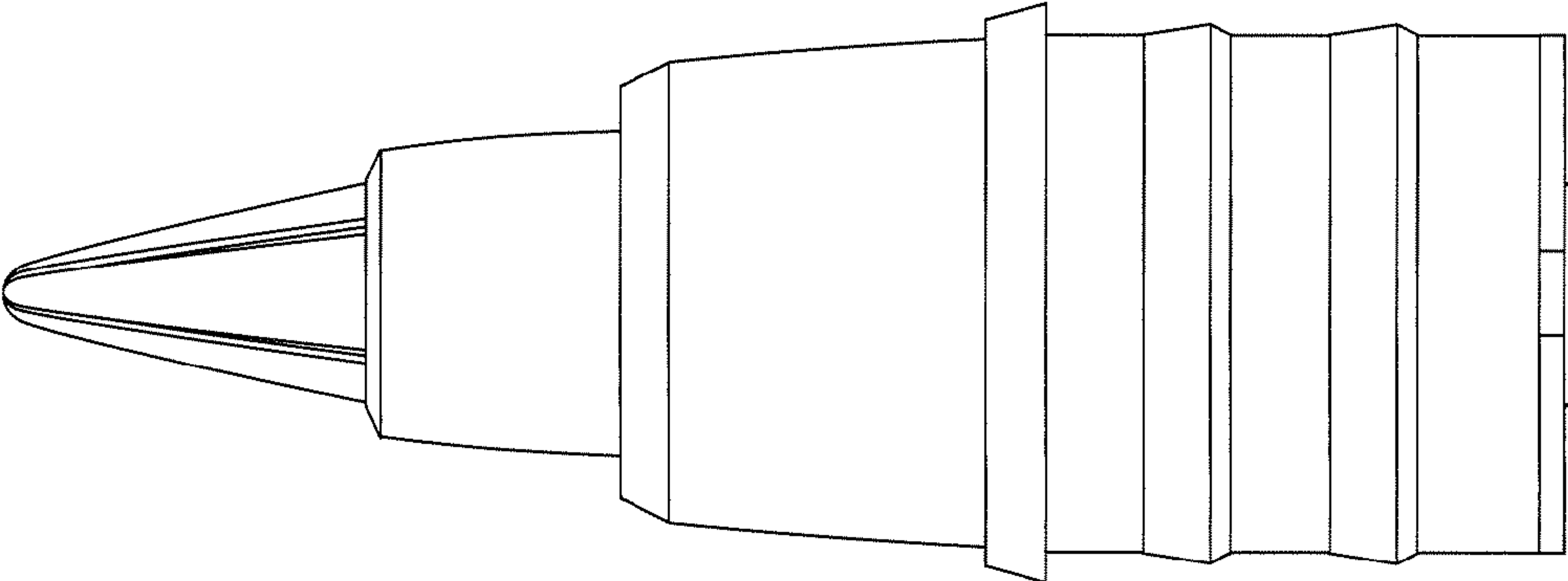


FIG. 6

