



US00D690362S

(12) **United States Design Patent**
Kang

(10) **Patent No.:** **US D690,362 S**

(45) **Date of Patent:** **** Sep. 24, 2013**

(54) **DISPLAY BOARD**

(71) Applicant: **ACCO Brands Corporation**,
Lincolnshire, IL (US)

(72) Inventor: **Seesong Kang**, Northbrook, IL (US)

(73) Assignee: **ACCO Brands Corporation**, Lake
Zurich, IL (US)

(**) Term: **14 Years**

(21) Appl. No.: **29/447,828**

(22) Filed: **Mar. 7, 2013**

(51) **LOC (9) Cl.** **19-06**

(52) **U.S. Cl.**
USPC **D19/52**

(58) **Field of Classification Search**
USPC D6/300, 306, 310; D14/128, 336,
D14/371, 374; D19/52; D20/10, 27, 39,
D20/40; 40/581, 584, 611.01, 611.06;
312/230; 434/408, 410, 415
See application file for complete search history.

(56) **References Cited**

U.S. PATENT DOCUMENTS

4,978,568	A	12/1990	Postma	
5,176,522	A *	1/1993	Robertson, Jr.	434/415
D480,428	S	10/2003	Robertson, Jr.	
D523,249	S	6/2006	Hoernig	
D562,040	S *	2/2008	Browne et al.	D6/509
D568,644	S *	5/2008	Browne et al.	D6/509
D593,156	S	5/2009	Vasconcelos	
7,632,103	B2	12/2009	Williams et al.	
D617,834	S *	6/2010	Vasconcelos	D19/52
7,733,529	B2 *	6/2010	Nishiie	358/1.9

D626,599	S *	11/2010	Ogawa et al.	D20/42
7,889,376	B2 *	2/2011	Nishiie	358/1.15
D635,189	S	3/2011	Bolt et al.	
D669,534	S *	10/2012	Nakashima	D19/52
D672,817	S *	12/2012	Butmir et al.	D19/52
2008/0151314	A1 *	6/2008	Nishiie	358/401
2012/0206344	A1	8/2012	Hill et al.	
2012/0250936	A1 *	10/2012	Holmgren	382/103

OTHER PUBLICATIONS

ACCO Brands, 2005 Fact Book (2005), pp. 177-189.
ACCO Brands, 2008 Fact Book (2008), pp. 178-179 and 186-195.
ACCO Brands, 2010 Fact Book (2010), pp. 142-158.
ACCO Brands, 2012 Fact Book (2012), pp. 137-142 and 149-153.
Quartet, Essential Tools for High Performance Brochure (2005), pp. 7 and 11-14.

* cited by examiner

Primary Examiner — Elizabeth Albert

(74) *Attorney, Agent, or Firm* — Michael Best & Friedrich LLP

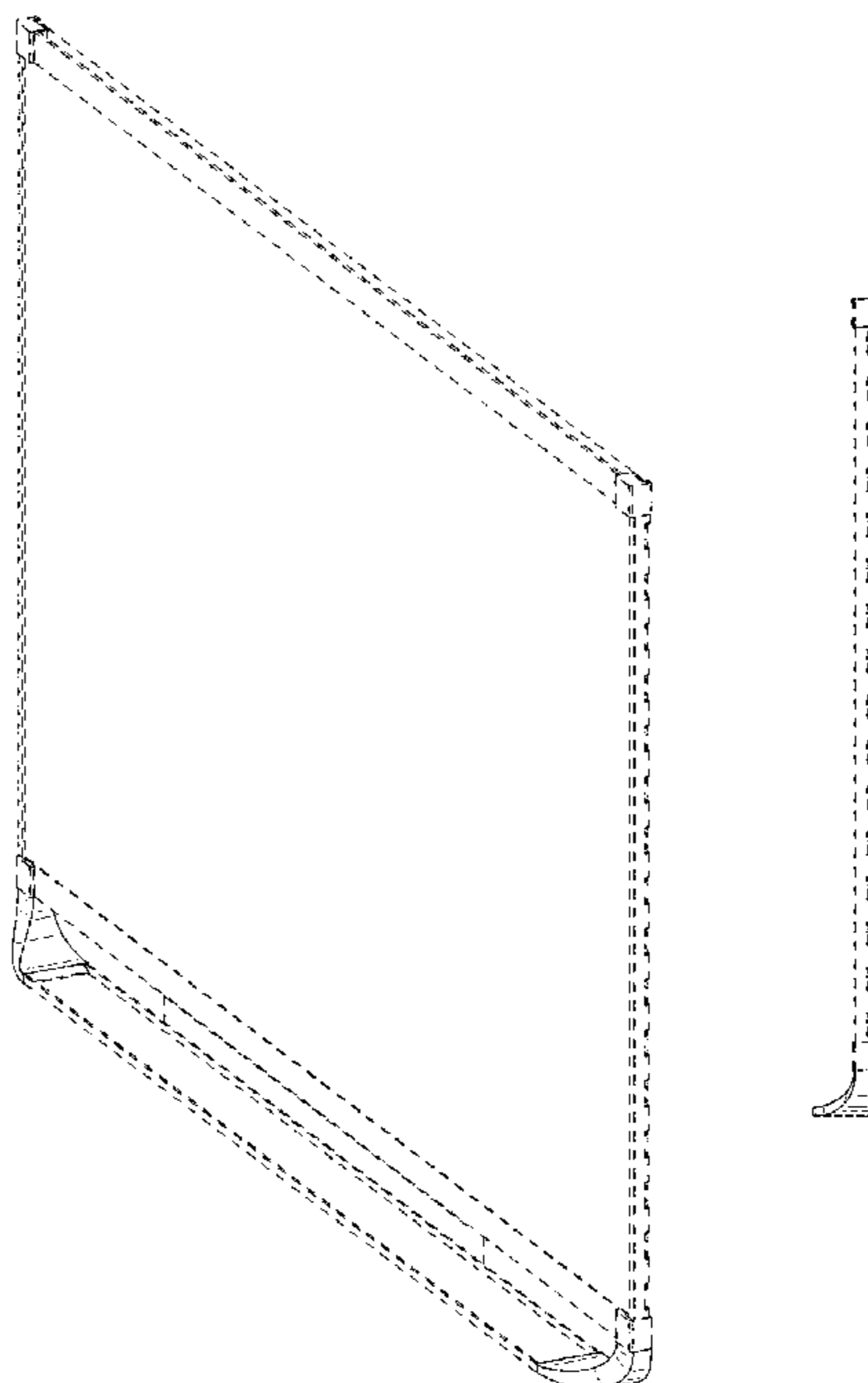
(57) **CLAIM**

I claim the ornamental design for a display board, as shown and described.

DESCRIPTION

FIG. 1 is a front perspective view of a display board.
FIG. 2 is a front plan view of the display board of FIG. 1.
FIG. 3 is a top view of the display board of FIG. 1.
FIG. 4 is a bottom view of the display board of FIG. 1.
FIG. 5 is a first side view of the display board of FIG. 1; and,
FIG. 6 is a second side view of the display board of FIG. 1.
The broken lines in FIGS. 1-6 are included for the purpose of illustrating portions of the display board that form no part of the claimed design.

1 Claim, 4 Drawing Sheets



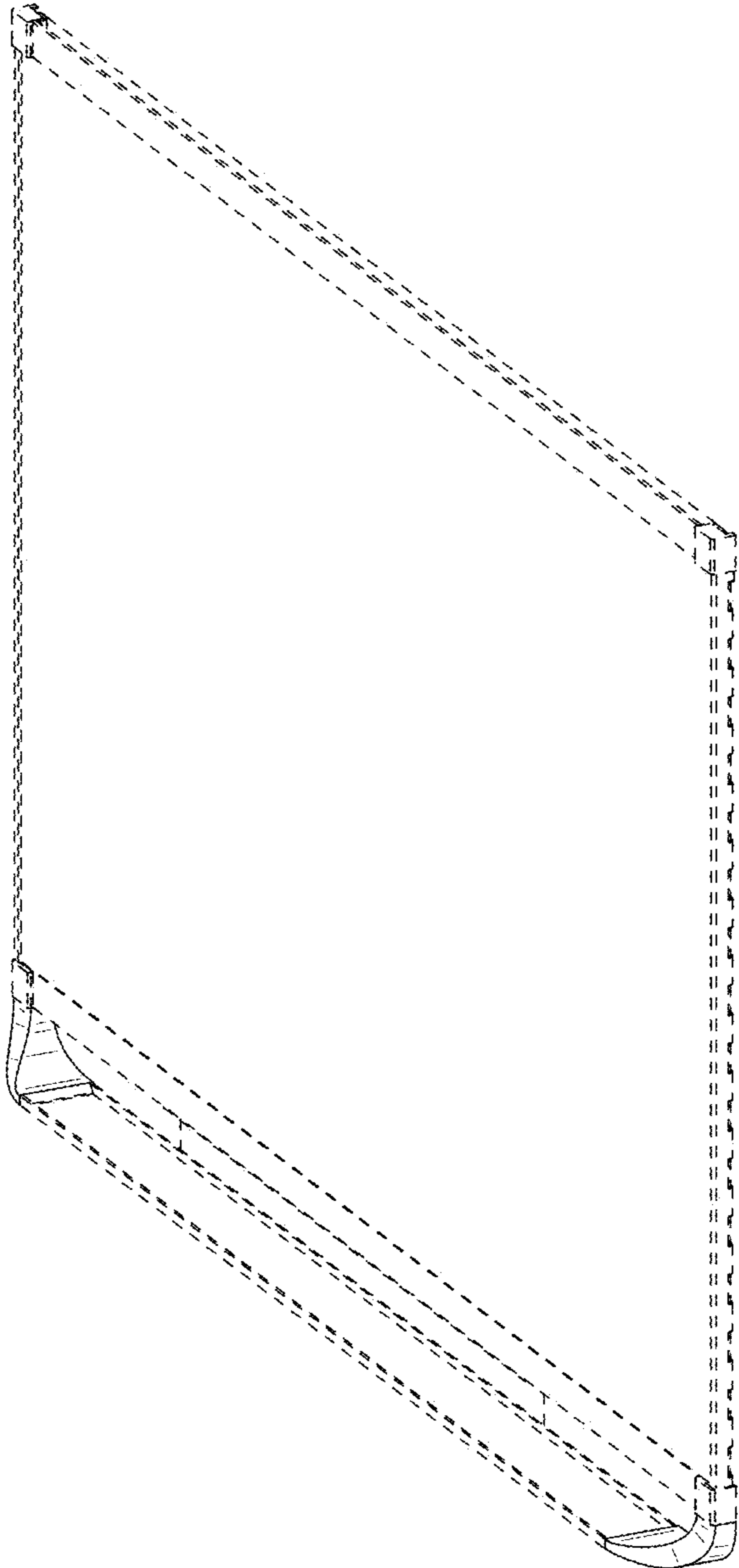


FIG. 1



FIG. 2

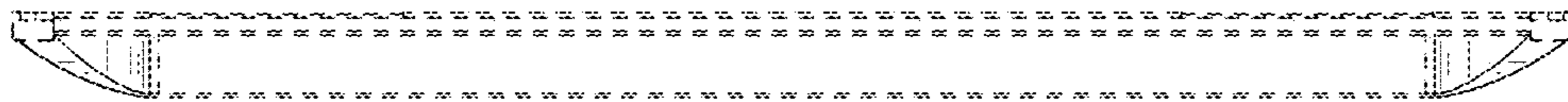


FIG. 3

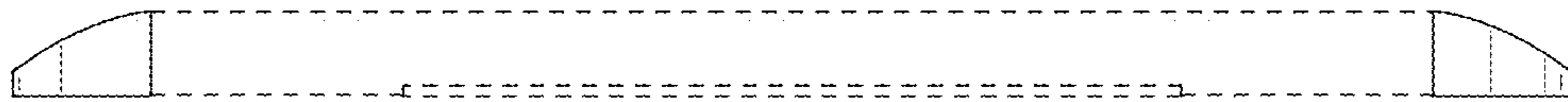


FIG. 4

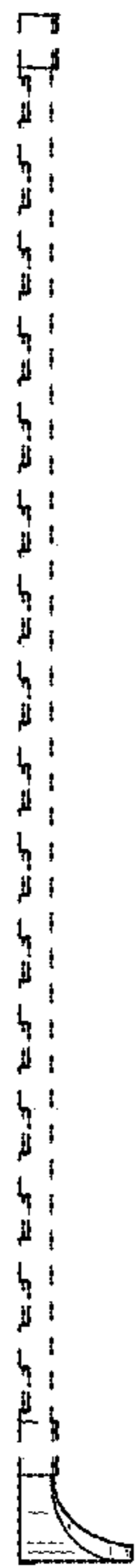


FIG. 5

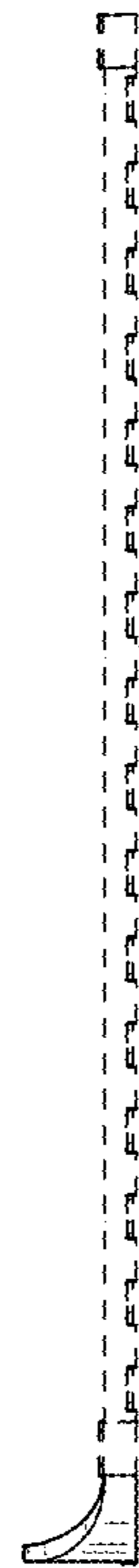


FIG. 6