



US00D690352S

(12) **United States Design Patent**
Bowman et al.

(10) **Patent No.:** **US D690,352 S**
(45) **Date of Patent:** **** Sep. 24, 2013**

(54) **FILE FOLDER**

(76) Inventors: **Vincent H. Bowman**, Highland Park, IL
(US); **Jeffrey Herz**, Aliso Viejo, CA
(US)

(**) Term: **14 Years**

(21) Appl. No.: **29/402,682**

(22) Filed: **Sep. 26, 2011**

(51) **LOC (9) Cl.** **19-03**

(52) **U.S. Cl.**
USPC **D19/26**

(58) **Field of Classification Search**
USPC D19/26-33, 75, 86; 283/36-37,
283/39-41; 40/359-360, 641; 229/67.1-67.4,
229/72; 281/31, 38, 42, 45; 402/79
See application file for complete search history.

(56) **References Cited**

U.S. PATENT DOCUMENTS

1,008,352	A	11/1911	Meyers	
1,654,545	A	1/1928	Lindsay	
1,697,985	A *	1/1929	Lindsay	40/359
1,751,495	A *	3/1930	Robinson	40/360
D137,883	S *	5/1944	Widder	D19/26
2,448,435	A *	8/1948	Johnson	281/45
2,878,814	A *	3/1959	Consaul	40/359
2,895,448	A *	7/1959	Haines	116/324
3,132,628	A *	5/1964	Gehlsen	116/319
3,204,639	A *	9/1965	Kleffman	40/360
4,176,485	A *	12/1979	Terris	40/584
D282,758	S *	2/1986	Hirsch	D19/91
4,637,149	A *	1/1987	Rivkin	40/641
4,905,393	A *	3/1990	Laurie	40/641
5,160,296	A *	11/1992	Katz	462/6
D337,784	S *	7/1993	Wyant	D19/26
5,226,676	A *	7/1993	Su	281/45
5,311,685	A *	5/1994	Wyant	40/359

5,341,982	A	8/1994	Syers	
5,540,513	A *	7/1996	Wyant	402/79
5,639,124	A *	6/1997	Jung	283/36
5,692,670	A *	12/1997	Ho	229/67.1
5,722,128	A *	3/1998	Toney et al.	24/400

(Continued)

OTHER PUBLICATIONS

Preliminary Amendment in Chile Application No. 0748-12 dated May 9, 2012, 17 pgs.

(Continued)

Primary Examiner — T. Chase Nelson
Assistant Examiner — Kathleen M Sims
(74) *Attorney, Agent, or Firm* — Christie, Parker & Hale, LLP

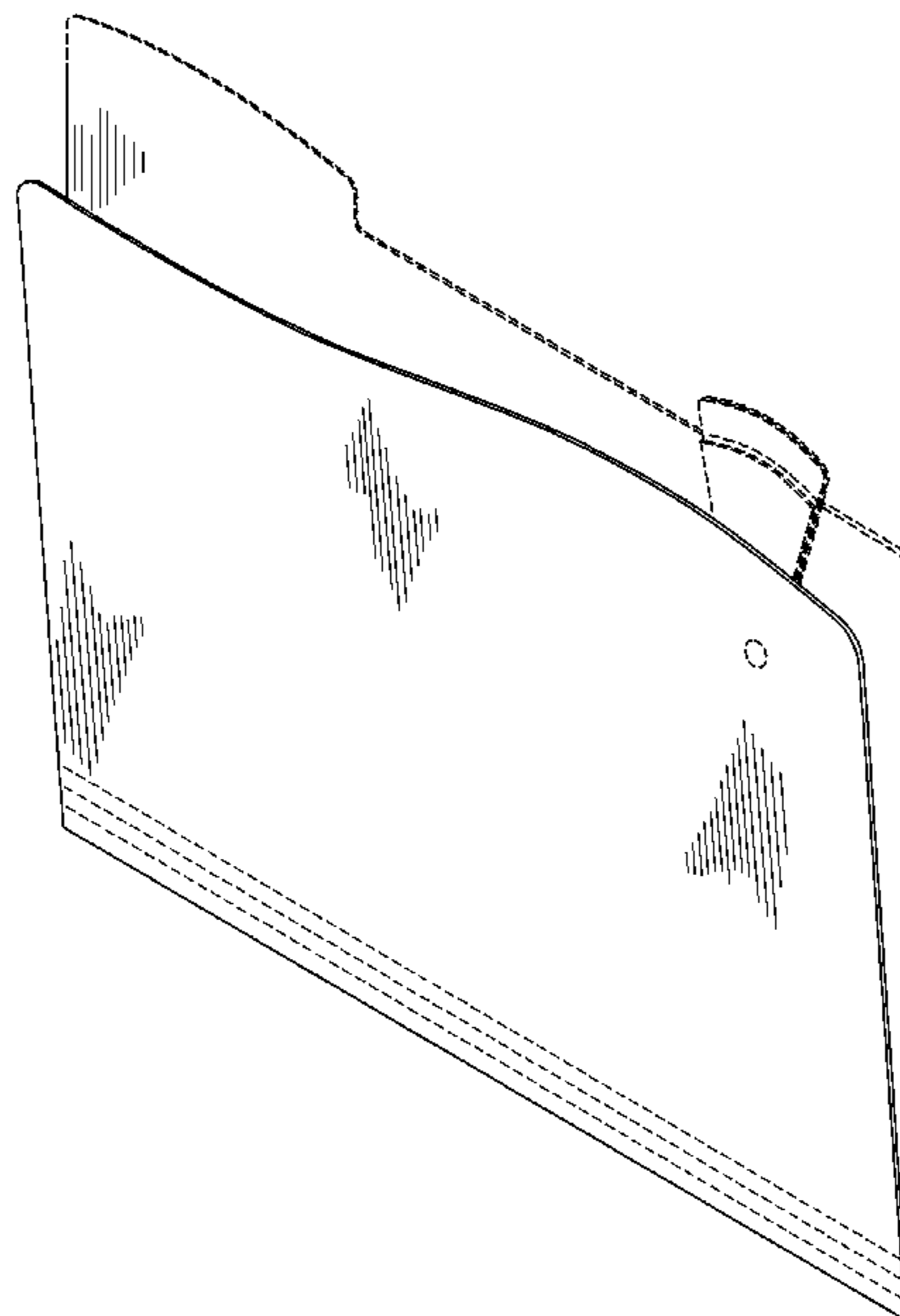
(57) **CLAIM**

We claim the ornamental design for a file folder, as shown and described.

DESCRIPTION

FIG. 1 is a front perspective view of the file folder showing our new design, the file folder being shown in a slightly opened state; FIG. 2 is a front elevational view of the file folder of FIG. 1; FIG. 3 is a right-side elevational view of the file folder of FIG. 1; FIG. 4 is a left-side elevational view of the file folder of FIG. 1; FIG. 5 is a rear elevational view of the file folder of FIG. 1; FIG. 6 is a top plan view of the file folder of FIG. 1; and, FIG. 7 is a bottom plan view of the file folder of FIG. 1. The dashed lines shown in the drawings represent portions of the file folders, file folder panels, and rotatable flags that do not form a part of the claimed design.

1 Claim, 3 Drawing Sheets



(56)

References Cited

U.S. PATENT DOCUMENTS

5,996,881 A * 12/1999 Smith 229/67.1
 D438,904 S * 3/2001 Reynolds D19/90
 6,322,285 B1 * 11/2001 Ben 404/6
 6,732,461 B2 * 5/2004 Slattery et al. 40/641
 6,883,460 B2 4/2005 Weisenfeld
 D509,245 S * 9/2005 Ong D19/26
 D513,038 S * 12/2005 Ong D19/26
 6,976,449 B2 12/2005 Weisenfeld
 6,986,219 B1 1/2006 Raia
 7,066,494 B1 * 6/2006 Di Prinzio 281/42
 7,125,050 B2 * 10/2006 Yamamoto et al. 283/36
 7,334,363 B1 * 2/2008 Hansen 40/641
 7,383,652 B2 * 6/2008 Glasberg 40/641
 7,389,598 B2 * 6/2008 Bungler et al. 40/359
 D579,974 S * 11/2008 Maier-Hunke D19/26
 7,536,812 B1 * 5/2009 Fasbender 40/359
 D601,624 S * 10/2009 Barausky et al. D19/33
 D602,524 S * 10/2009 Wong et al. D19/33
 7,610,707 B1 11/2009 Payne
 D608,390 S * 1/2010 Wong et al. D19/33
 D608,391 S * 1/2010 Wong et al. D19/33
 7,731,442 B2 * 6/2010 Barausky et al. 402/79
 7,793,449 B2 * 9/2010 Groch et al. 40/641
 7,966,758 B2 * 6/2011 Scott Watts 40/641
 7,980,014 B2 * 7/2011 Fasbender 40/359
 7,980,779 B2 * 7/2011 Barausky et al. 402/79
 8,141,282 B2 * 3/2012 Goodfellow et al. 40/641
 8,360,675 B2 1/2013 Kent et al.
 2005/0000839 A1 * 1/2005 Densley 206/425
 2006/0000133 A1 * 1/2006 Windorski 40/641
 2006/0225322 A1 * 10/2006 O'Leary et al. 40/359
 2007/0119082 A1 * 5/2007 Gilchrist 40/641

2007/0234601 A1 * 10/2007 Yoo et al. 40/359
 2008/0197174 A1 * 8/2008 Wittmeyer et al. 229/67.1
 2009/0100730 A1 * 4/2009 Nathanson et al. 40/641
 2009/0134617 A1 * 5/2009 Green et al. 283/37
 2009/0178320 A1 * 7/2009 Goodfellow et al. 40/641
 2009/0307952 A1 * 12/2009 Watts 40/641
 2011/0173855 A1 * 7/2011 Meltzer 40/641
 2012/0125985 A1 * 5/2012 Christensen et al. 229/67.3
 2012/0133120 A1 5/2012 Tseng
 2012/0233894 A1 * 9/2012 Rowe et al. 40/360
 2013/0036637 A1 * 2/2013 Mazursky 40/359
 2013/0074381 A1 * 3/2013 Bowman et al. 40/359

OTHER PUBLICATIONS

Preliminary Report in Chile Application No. 0748-12 dated Jun. 26, 2012, 1 pg.
 Office Action Reporting Letter in Argentina Application No. 83695 dated Jul. 27, 2012, 2 pgs.
 Amendment in Mexico Application No. MX/f/2012/000990 dated May 22, 2012, 6 pgs.
 Preliminary Amendment in U.S. Appl. No. 29/408,499 dated Apr. 25, 2012, 8 pgs.
 Restriction Requirement in U.S. Appl. No. 29/408,499 dated Sep. 12, 2012, 5 pgs.
 Response in U.S. Appl. No. 29/408,499 dated Oct. 11, 2012, 59 pgs.
 Notice of Allowance in U.S. Appl. No. 29/408,499 dated Dec. 17, 2012, 7 pgs.
 Amendment in U.S. Appl. No. 29/408,499 dated Mar. 19, 2013, 11 pgs.
 Notice of Allowance in U.S. Appl. No. 29/408,499 dated Apr. 9, 2013, 7 pgs.

* cited by examiner

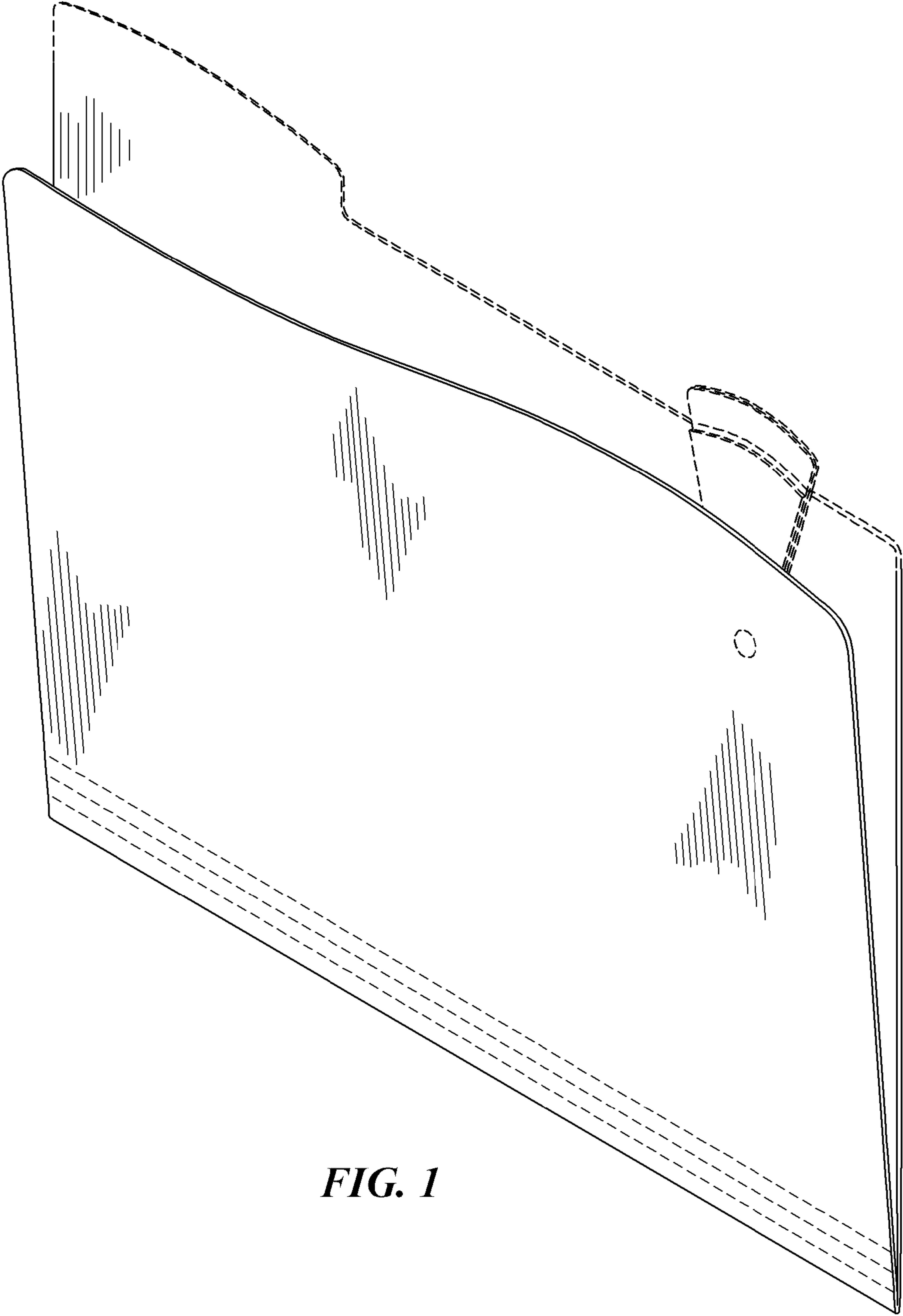


FIG. 1

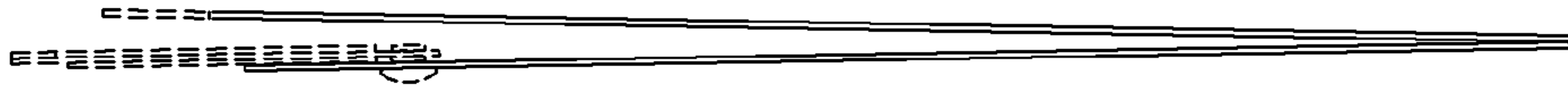


FIG. 4

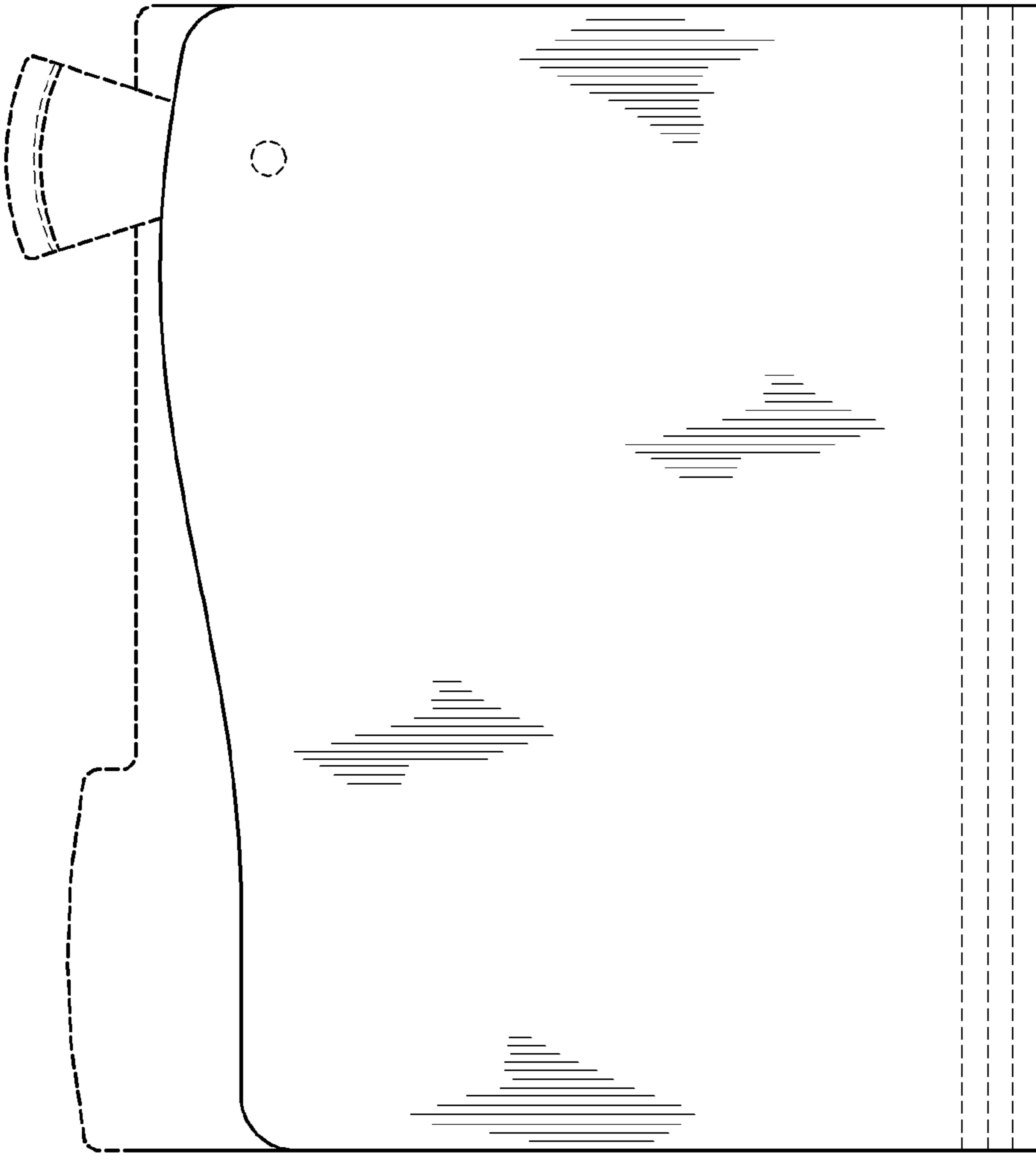


FIG. 2

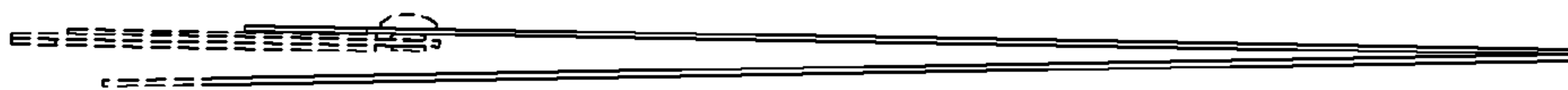


FIG. 3

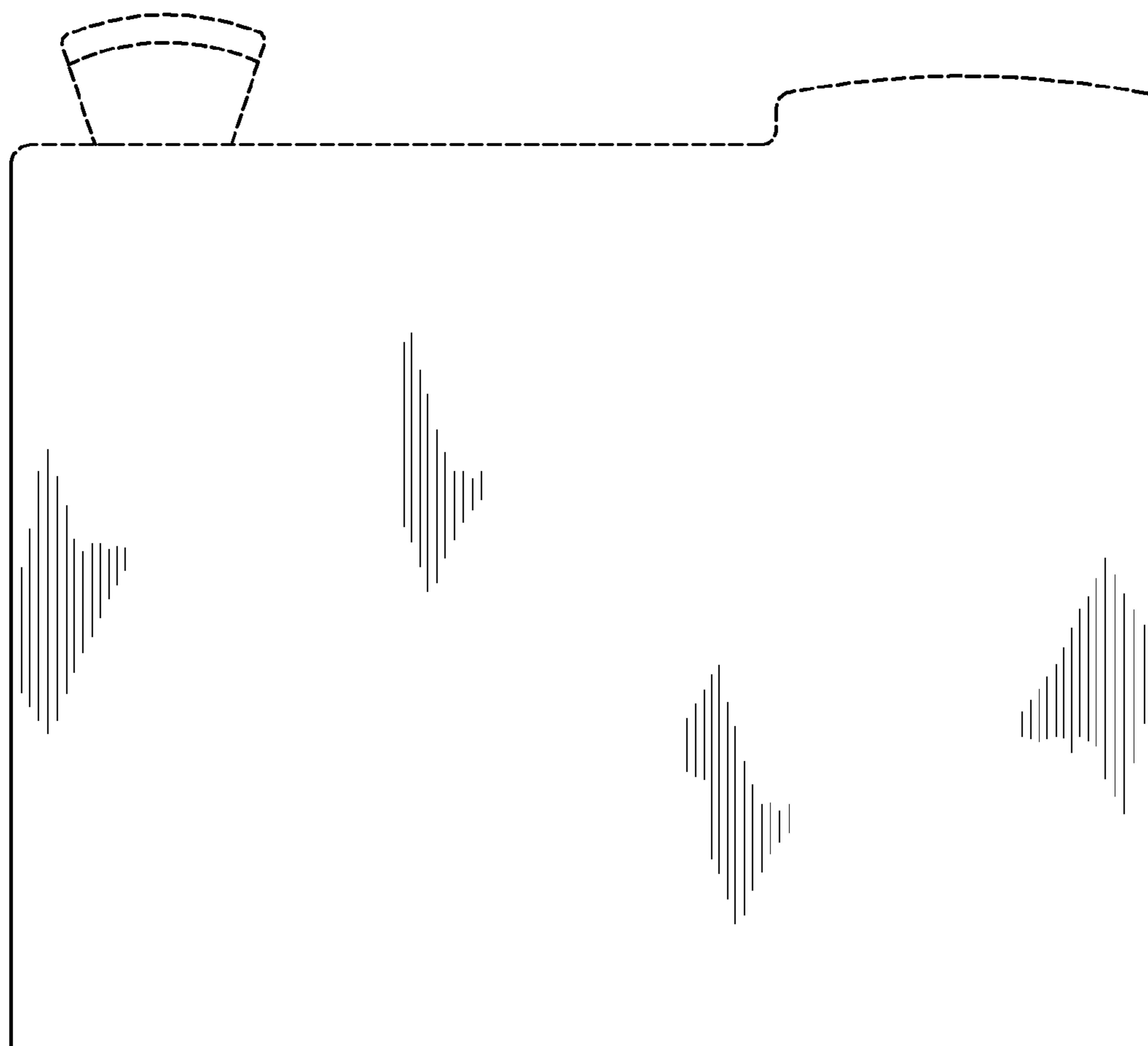


FIG. 5

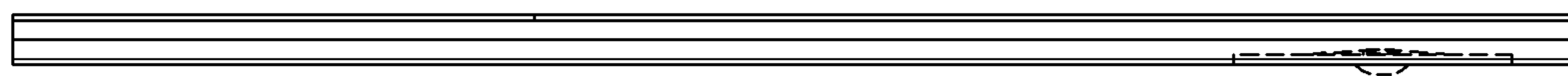


FIG. 6

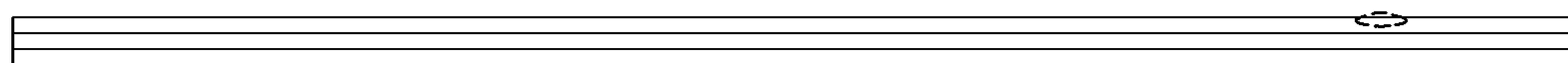


FIG. 7