



US00D690349S

(12) **United States Design Patent**  
**Qin**

(10) **Patent No.:** **US D690,349 S**

(45) **Date of Patent:** **\*\* Sep. 24, 2013**

(54) **A-POS MACHINE**

(75) Inventor: **Lin Qin**, Shanghai (CN)

(73) Assignee: **Shanghai Purong Info-Tech Co., Ltd.**,  
Jiading, Shanghai (CN)

(\*\*) Term: **14 Years**

(21) Appl. No.: **29/424,733**

(22) Filed: **Jun. 14, 2012**

(30) **Foreign Application Priority Data**

Dec. 31, 2011 (CN) ..... 2011 3 0507799

(51) **LOC (9) Cl.** ..... **18-01**

(52) **U.S. Cl.**  
USPC ..... **D18/4.4; D18/12**

(58) **Field of Classification Search**  
USPC ..... D14/336, 371-376, 387; D18/3.1-3.3,  
D18/4.1-4.6, 6-12, 12.1-12.3; D21/324,  
D21/325, 332; D99/28, 34-36, 43; 235/1 E,  
235/2, 7 R, 12, 22, 33, 51, 52; 705/12, 15-18,  
705/43  
See application file for complete search history.

(56) **References Cited**

U.S. PATENT DOCUMENTS

D345,966 S \* 4/1994 Perez ..... D18/4.5  
D378,083 S \* 2/1997 Ando ..... D14/336

D433,701 S \* 11/2000 Chiu ..... D18/4.6  
D480,083 S \* 9/2003 Borsboom et al. .... D14/371  
D526,002 S \* 8/2006 Nakajima et al. .... D18/4.5  
D528,585 S \* 9/2006 Ono ..... D18/4.5  
D588,186 S \* 3/2009 Yamakawa ..... D18/4.5  
D637,595 S \* 5/2011 Mizusugi ..... D14/307

\* cited by examiner

*Primary Examiner* — Garth Rademaker

(74) *Attorney, Agent, or Firm* — Global IP Services; Tianhua  
Gu

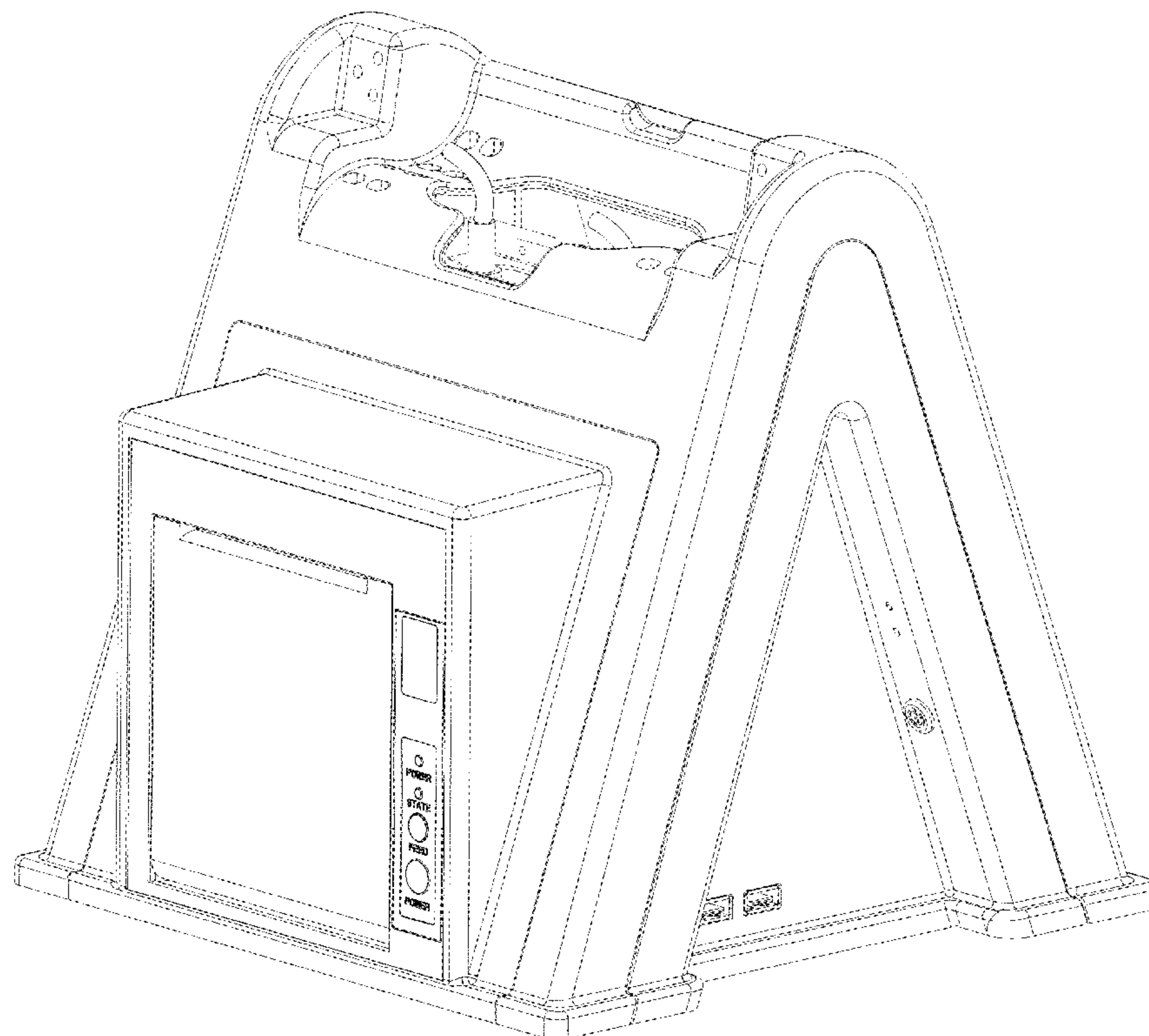
(57) **CLAIM**

The ornamental design for an A-POS machine, as shown and  
described.

**DESCRIPTION**

FIG. 1 is a right-front perspective view of an A-POS machine  
showing my new design;  
FIG. 2 is a front elevation view thereof;  
FIG. 3 is a rear elevation view thereof;  
FIG. 4 is a top plan view thereof;  
FIG. 5 is a bottom plan view thereof;  
FIG. 6 is a left side elevation view thereof; and,  
FIG. 7 is a right side elevation view thereof.  
The elements shown by broken lines on the FIGS. 1, 2, 4 and  
5 are for the illustrative purposes only, form no part of the  
claimed design.

**1 Claim, 7 Drawing Sheets**



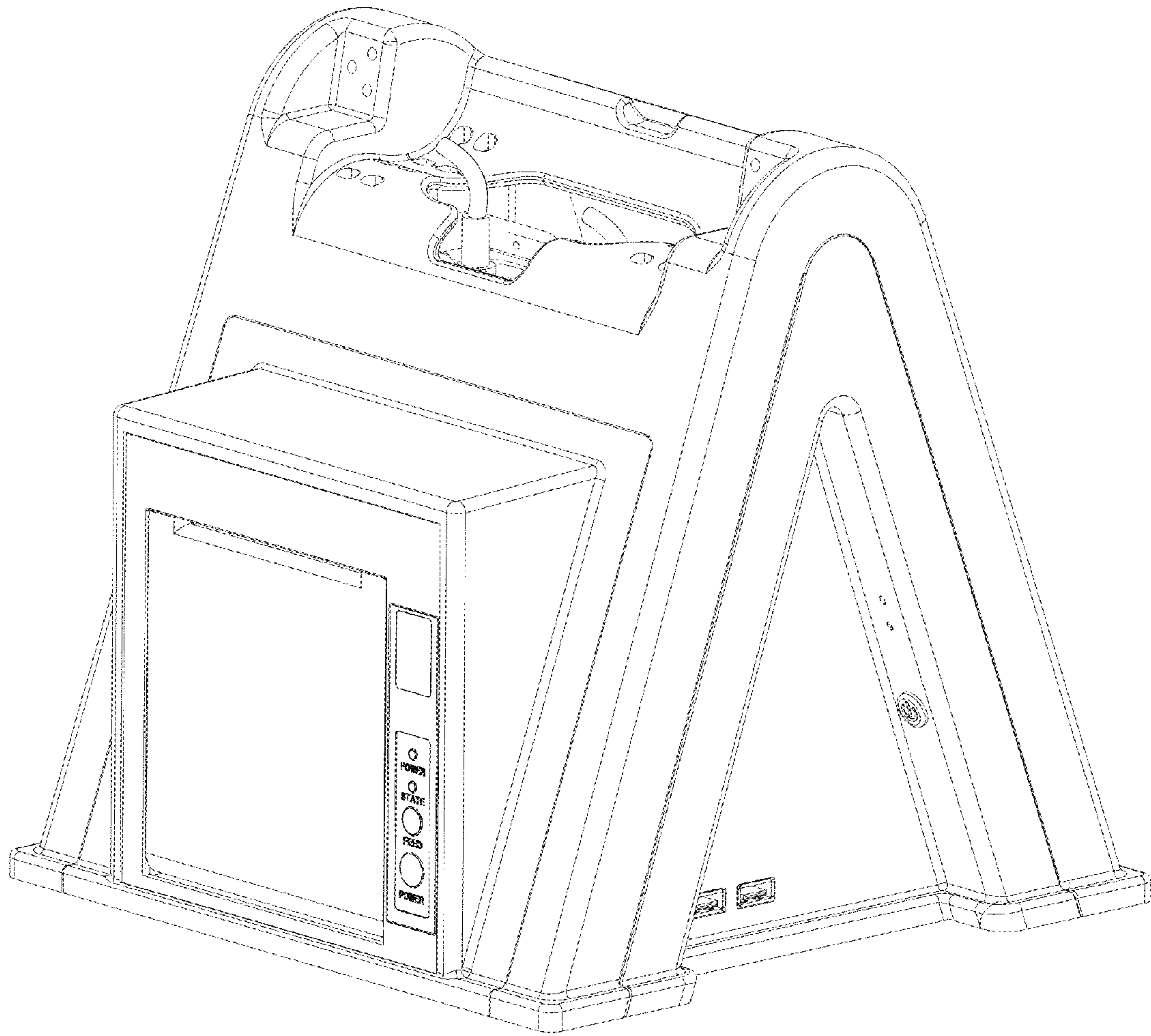


Fig. 1

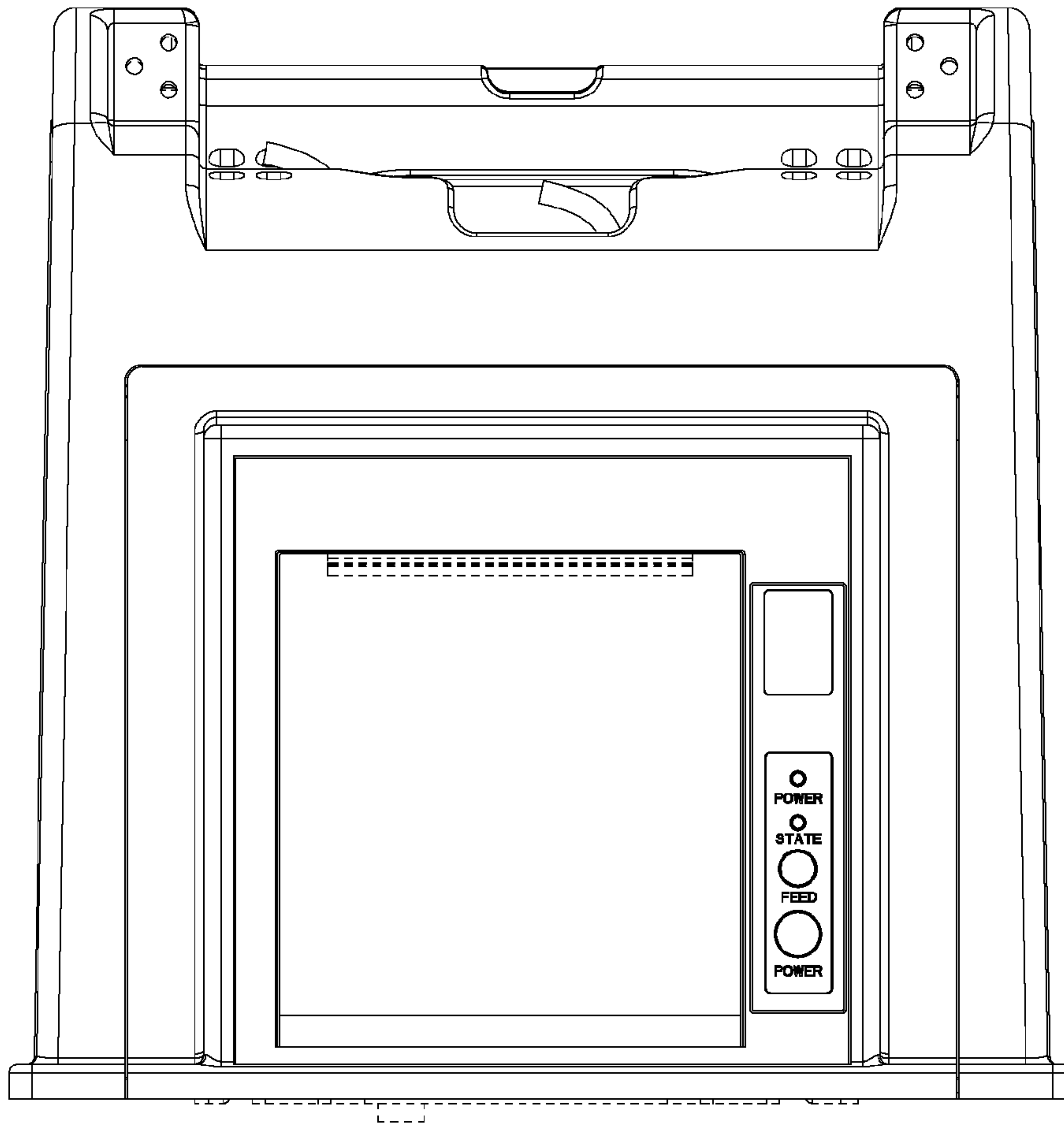


Fig. 2

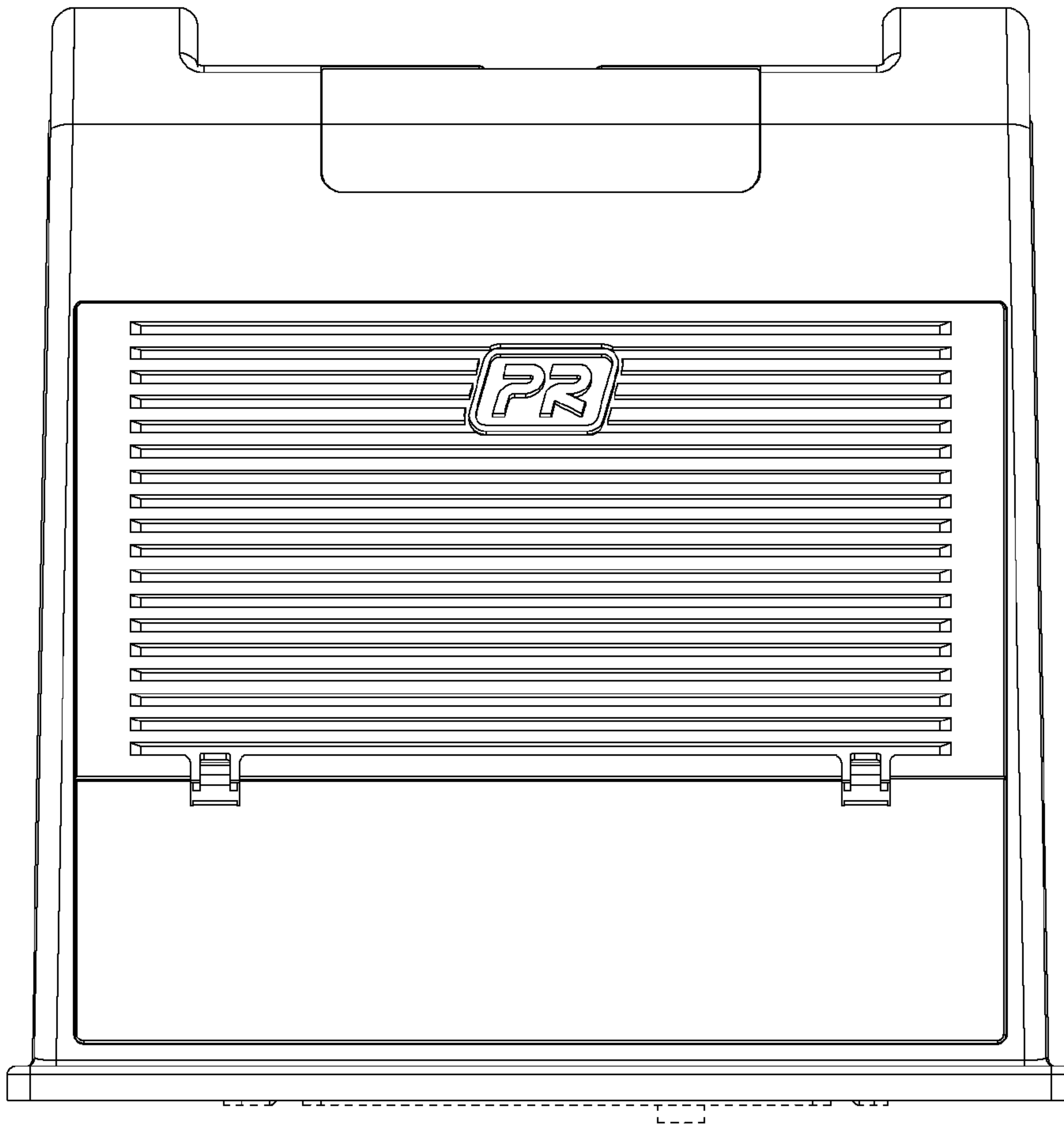


Fig. 3

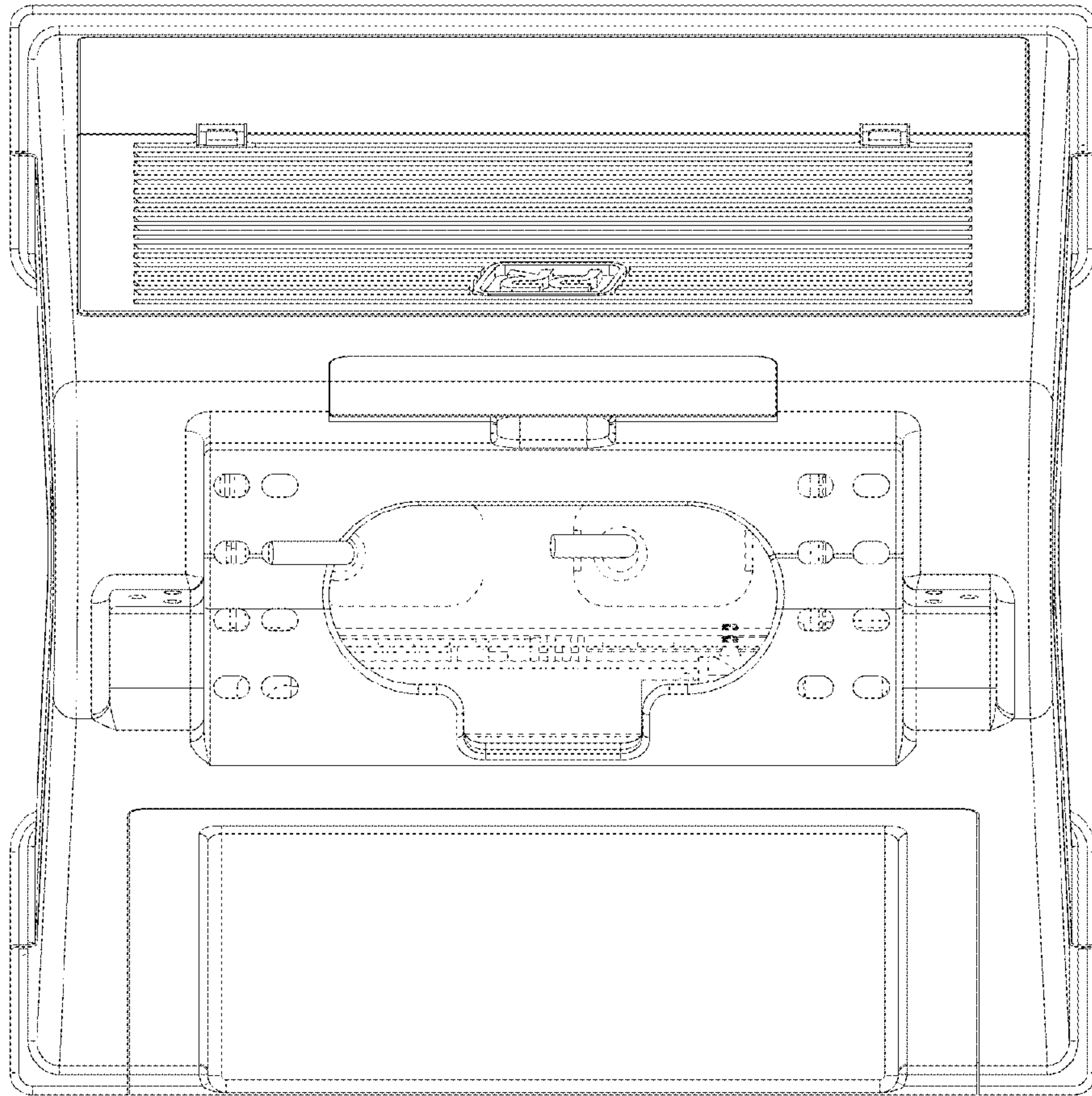


Fig. 4

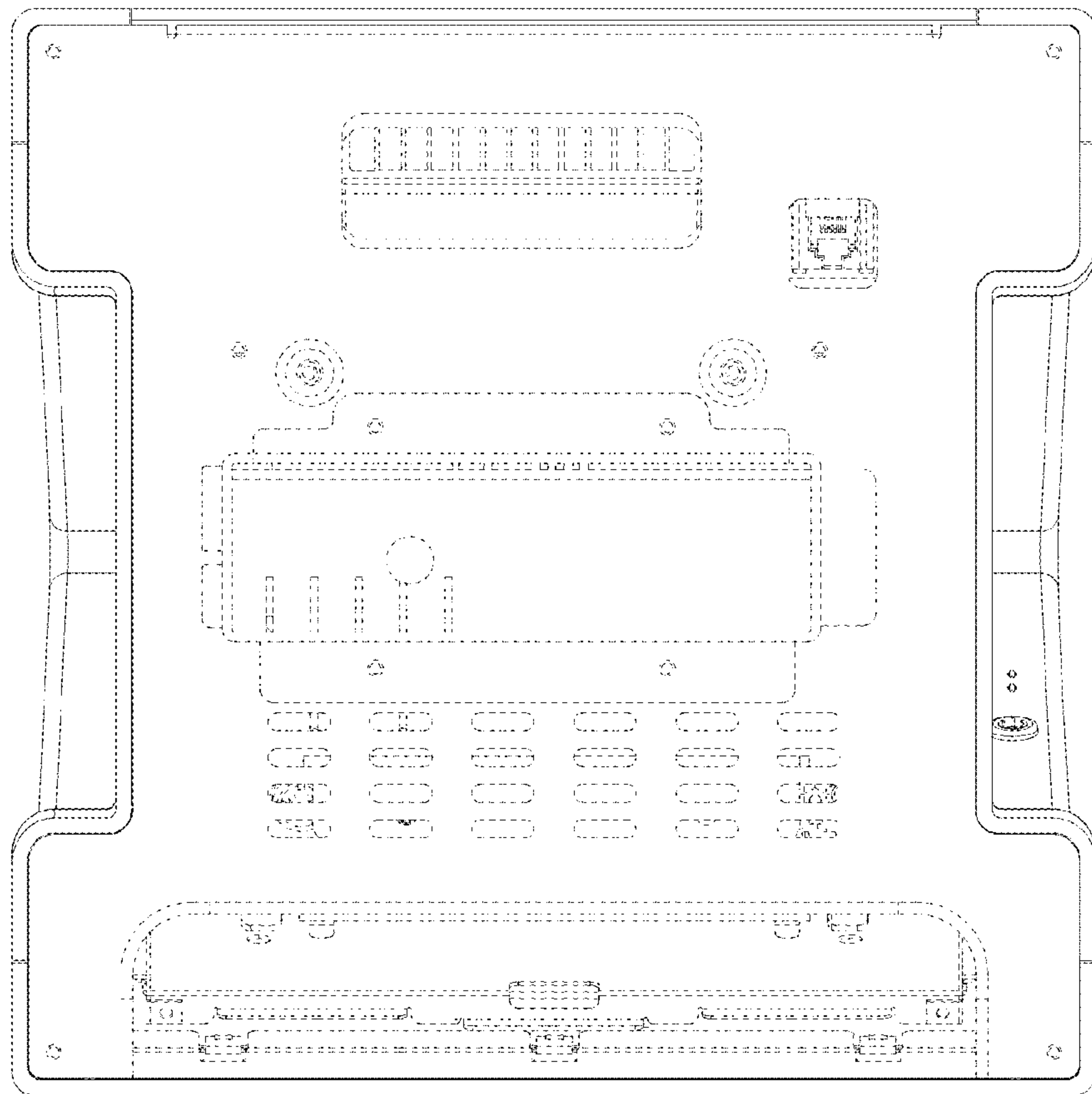


Fig. 5



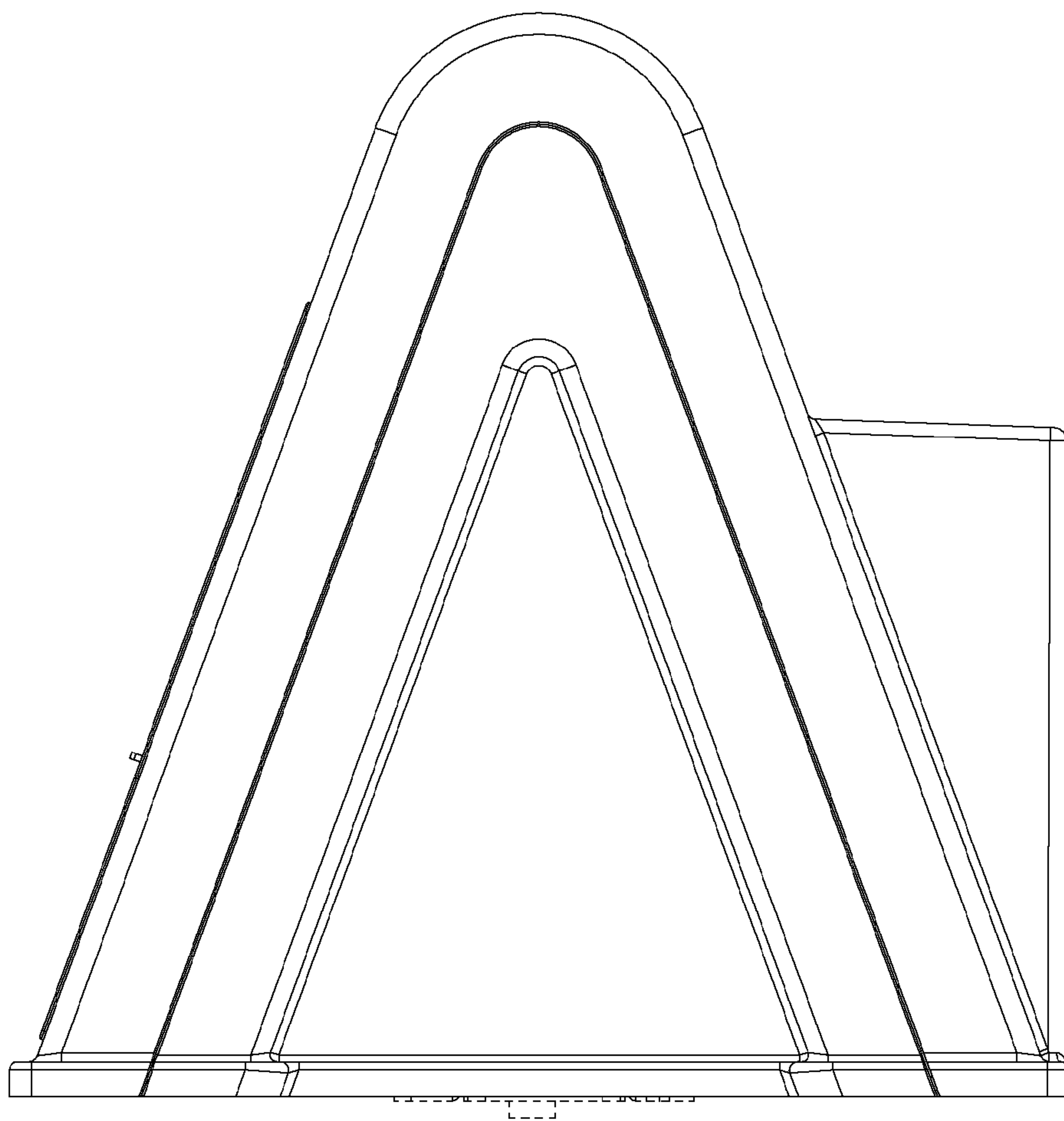


Fig. 6

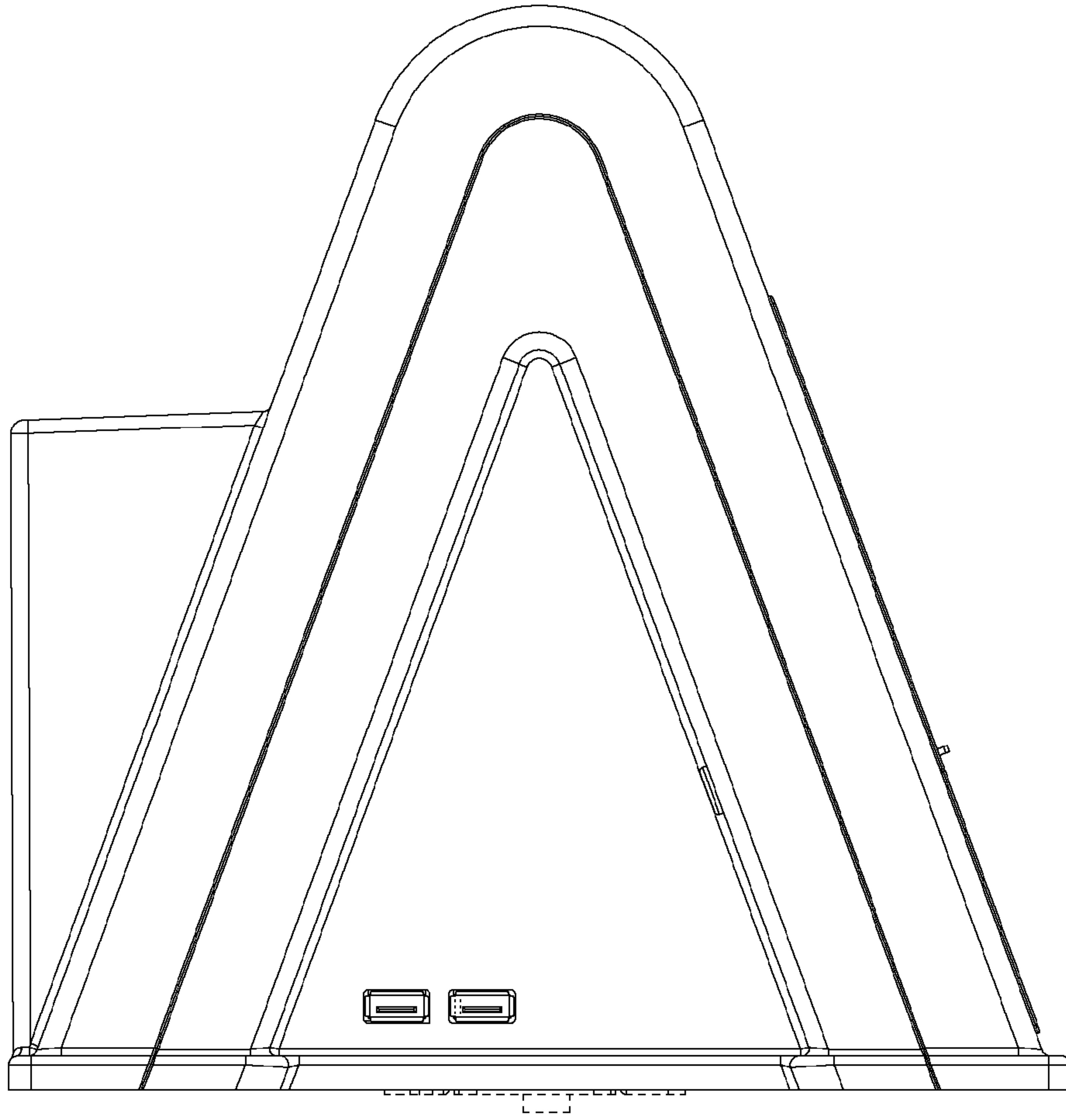


Fig. 7