



US00D690346S

(12) **United States Design Patent**  
**Woolley**

(10) **Patent No.:** **US D690,346 S**

(45) **Date of Patent:** **\*\* Sep. 24, 2013**

(54) **CAMERA CASING**

(75) **Inventor:** **Clive Charles Woolley, Salisbury (GB)**

(73) **Assignee:** **Qinetiq Limited (GB)**

(\*\*) **Term:** **14 Years**

(21) **Appl. No.:** **29/405,710**

(22) **Filed:** **Nov. 4, 2011**

(51) **LOC (9) Cl.** ..... **16-01**

(52) **U.S. Cl.**  
USPC ..... **D16/204; D16/200**

(58) **Field of Classification Search**  
USPC ..... D16/200, 201, 202, 203, 204, 205,  
D16/206, 207, 208, 209, 218, 219; 348/333.01,  
348/333.06, 333.07, 373, 375, 376, 383,  
348/535; 358/909.1; 396/535, 536, 537,  
396/538, 540, 541; 244/118.1  
See application file for complete search history.

(56) **References Cited**

**U.S. PATENT DOCUMENTS**

D392,300	S *	3/1998	Chow et al.	.....	D16/203
5,966,176	A *	10/1999	Chow et al.	.....	348/373
6,533,218	B1 *	3/2003	Jahn	.....	244/1 R
D481,406	S *	10/2003	Alessio	.....	D16/203
D481,407	S *	10/2003	Alessio	.....	D16/203
D483,784	S *	12/2003	Ting	.....	D16/208
6,745,981	B1 *	6/2004	Rainer et al.	.....	244/118.1
D497,928	S *	11/2004	Cheng-Yuan	.....	D16/203
D509,234	S *	9/2005	Muto et al.	.....	D16/203
D514,150	S *	1/2006	Muto et al.	.....	D16/203
D529,528	S *	10/2006	Ross et al.	.....	D16/200
7,324,747	B2 *	1/2008	Kempas	.....	396/12
D578,561	S *	10/2008	Dumanogullari	.....	D16/203
7,840,124	B2 *	11/2010	Olwin	.....	396/12

D633,932	S *	3/2011	Park	.....	D16/203
D636,421	S *	4/2011	Sagen et al.	.....	D16/202
D640,722	S *	6/2011	Green et al.	.....	D16/219
D647,936	S *	11/2011	Tanifuji et al.	.....	D16/202
D661,719	S *	6/2012	Katori et al.	.....	D16/203
D671,585	S *	11/2012	Mihara et al.	.....	D16/203
2003/0071170	A1 *	4/2003	Hilbert	.....	244/118.1
2007/0152099	A1 *	7/2007	Moreau	.....	244/117 R
2009/0315994	A1 *	12/2009	Cheng	.....	348/152
2010/0013922	A1 *	1/2010	Cheng	.....	348/143
2012/0120235	A1 *	5/2012	Kwon	.....	348/143

**FOREIGN PATENT DOCUMENTS**

CN	201376671	1/2010
DE	2311433	9/1974

\* cited by examiner

*Primary Examiner* — Philip S Hyder

*Assistant Examiner* — John T Applewhite

(74) *Attorney, Agent, or Firm* — McDonnell Boehnen Hulbert & Berghoff LLP

(57) **CLAIM**

The ornamental design for a camera casing, as shown and described.

**DESCRIPTION**

FIG. 1 is a front three quarters view of the first side of an embodiment of a camera casing;  
FIG. 2 is a rear three quarters view of the second side of an embodiment of a camera casing;  
FIG. 3 is a front three quarters view of the second side of an embodiment of a camera casing;  
FIG. 4 is a front one quarter view of an the second side of an embodiment of a camera casing; and,  
FIG. 5 is a front view of an embodiment of a camera casing.

**1 Claim, 5 Drawing Sheets**

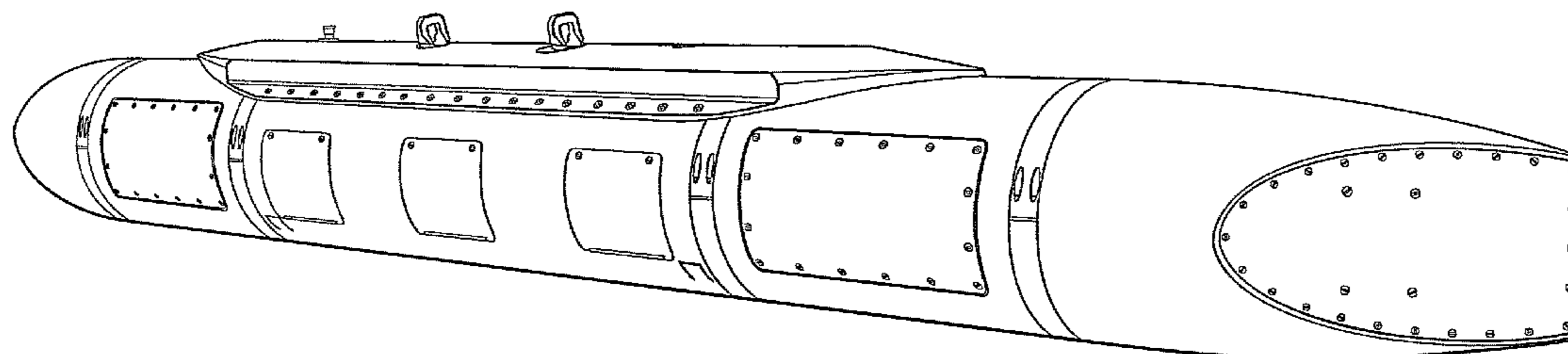


Figure 1

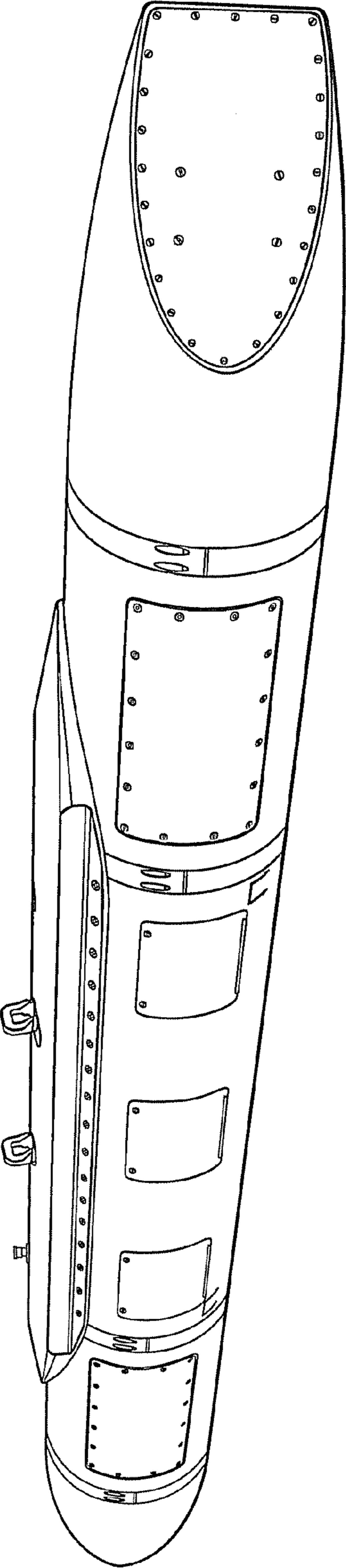


Figure 2

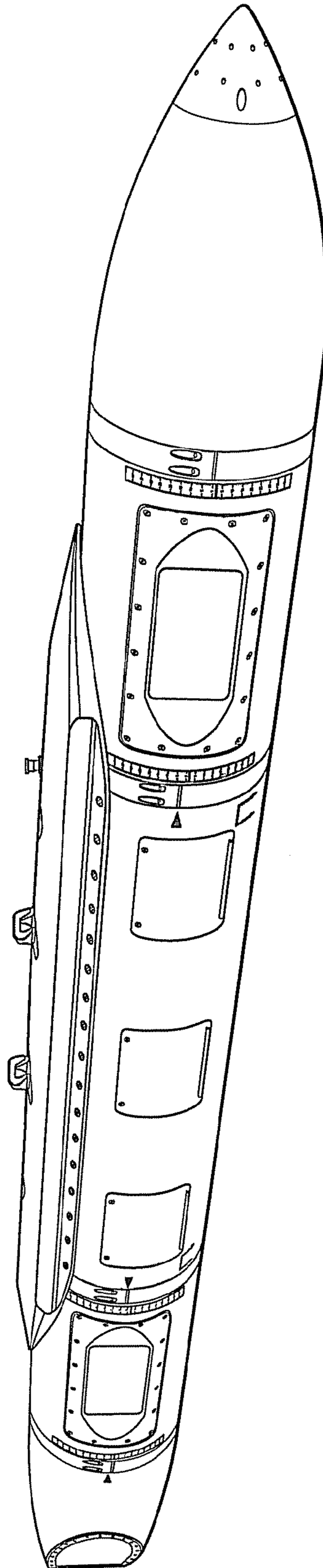


Figure 3

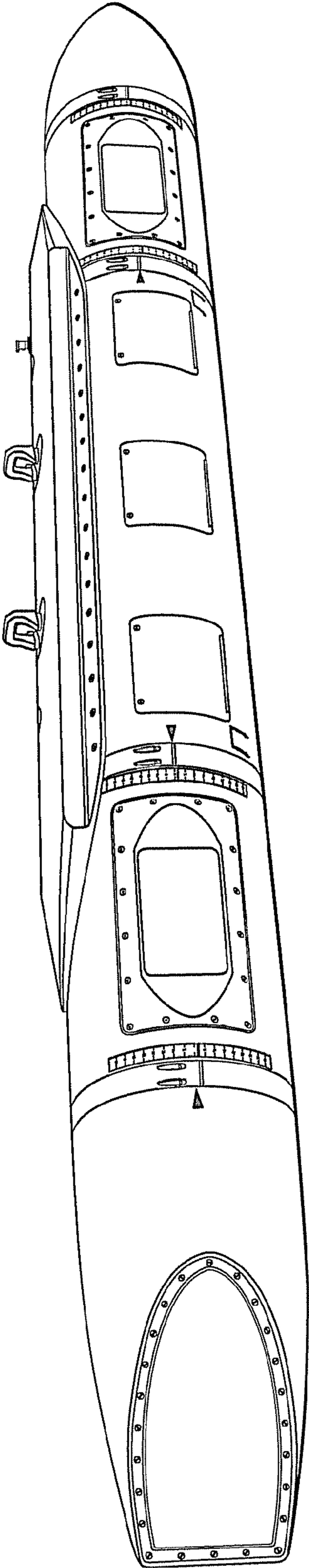


Figure 4

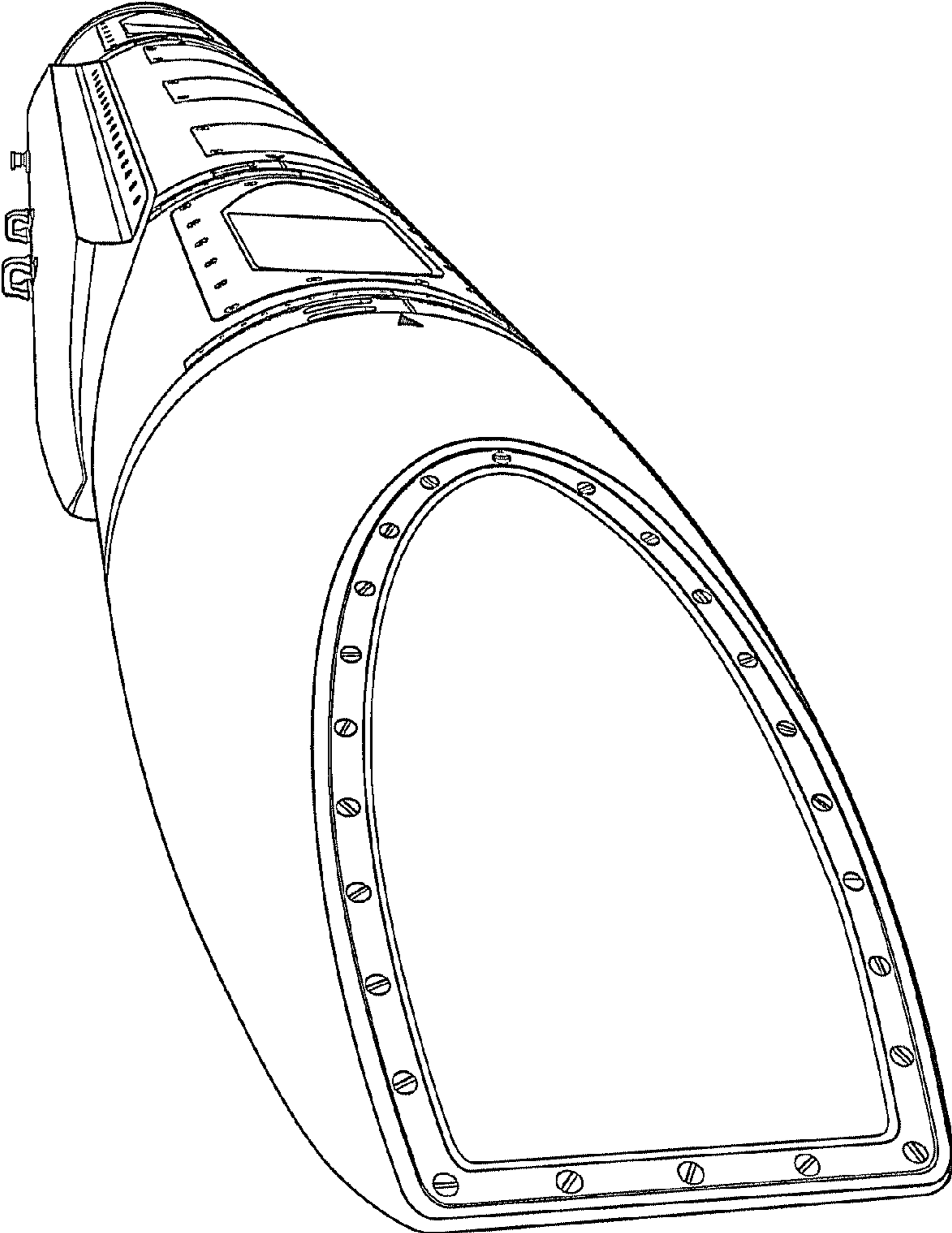




Figure 5

