



US00D690345S

(12) **United States Design Patent**
Seo et al.

(10) **Patent No.:** **US D690,345 S**
(45) **Date of Patent:** **** Sep. 24, 2013**

(54) **SECURITY CAMERA**

(75) Inventors: **Minji Seo**, Gyeonggi-do (KR); **Junki Kim**, Seoul (KR); **Sunguk Kim**, Gyeonggi-do (KR)

(73) Assignee: **LG Electronics Inc.**, Seoul (KR)

(**) Term: **14 Years**

(21) Appl. No.: **29/427,542**

(22) Filed: **Jul. 19, 2012**

(30) **Foreign Application Priority Data**

Jan. 20, 2012 (KR) 30-2012-0003228

(51) **LOC (9) Cl.** **16-01**

(52) **U.S. Cl.**
USPC **D16/203**

(58) **Field of Classification Search**
USPC D16/200, 202, 203, 218; 348/143,
348/151, 373-376; 396/427, 535-541

See application file for complete search history.

(56) **References Cited**

U.S. PATENT DOCUMENTS

D452,696	S	*	1/2002	Fenton	D16/203
D494,992	S	*	8/2004	Seo	D16/203
D499,126	S	*	11/2004	Kato et al.	D16/203
D556,236	S	*	11/2007	Kim	D16/203
7,651,281	B2	*	1/2010	Wen	348/373
7,661,890	B2	*	2/2010	Basho	396/427
D628,225	S	*	11/2010	Deurwaarder	D16/203
D639,842	S	*	6/2011	Zeinoun et al.	D16/203

* cited by examiner

Primary Examiner — Adir Aronovich

(74) *Attorney, Agent, or Firm* — Birch, Stewart, Kolasch & Birch, LLP

(57) **CLAIM**

The ornamental design for a security camera, as shown and described.

DESCRIPTION

FIG. 1 is a perspective view of a security camera showing our new design;

FIG. 2 is a front elevational view thereof;

FIG. 3 is a rear elevational view thereof;

FIG. 4 is a left side elevational view thereof, the undisclosed right side view being a mirror image of the left side.

FIG. 5 is a top plan view thereof; and,

FIG. 6 is a bottom plan view thereof.

1 Claim, 6 Drawing Sheets

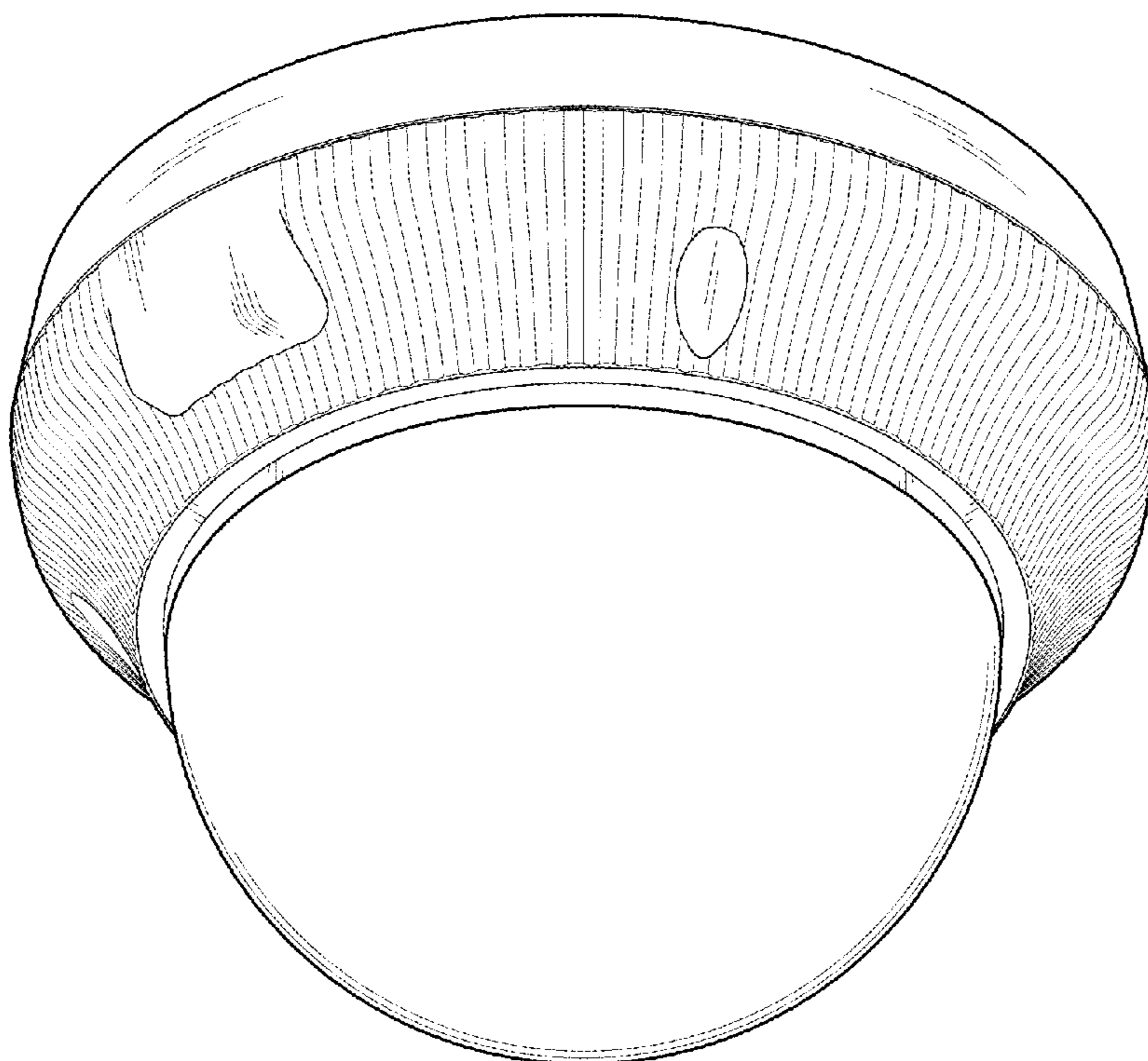


FIG. 1

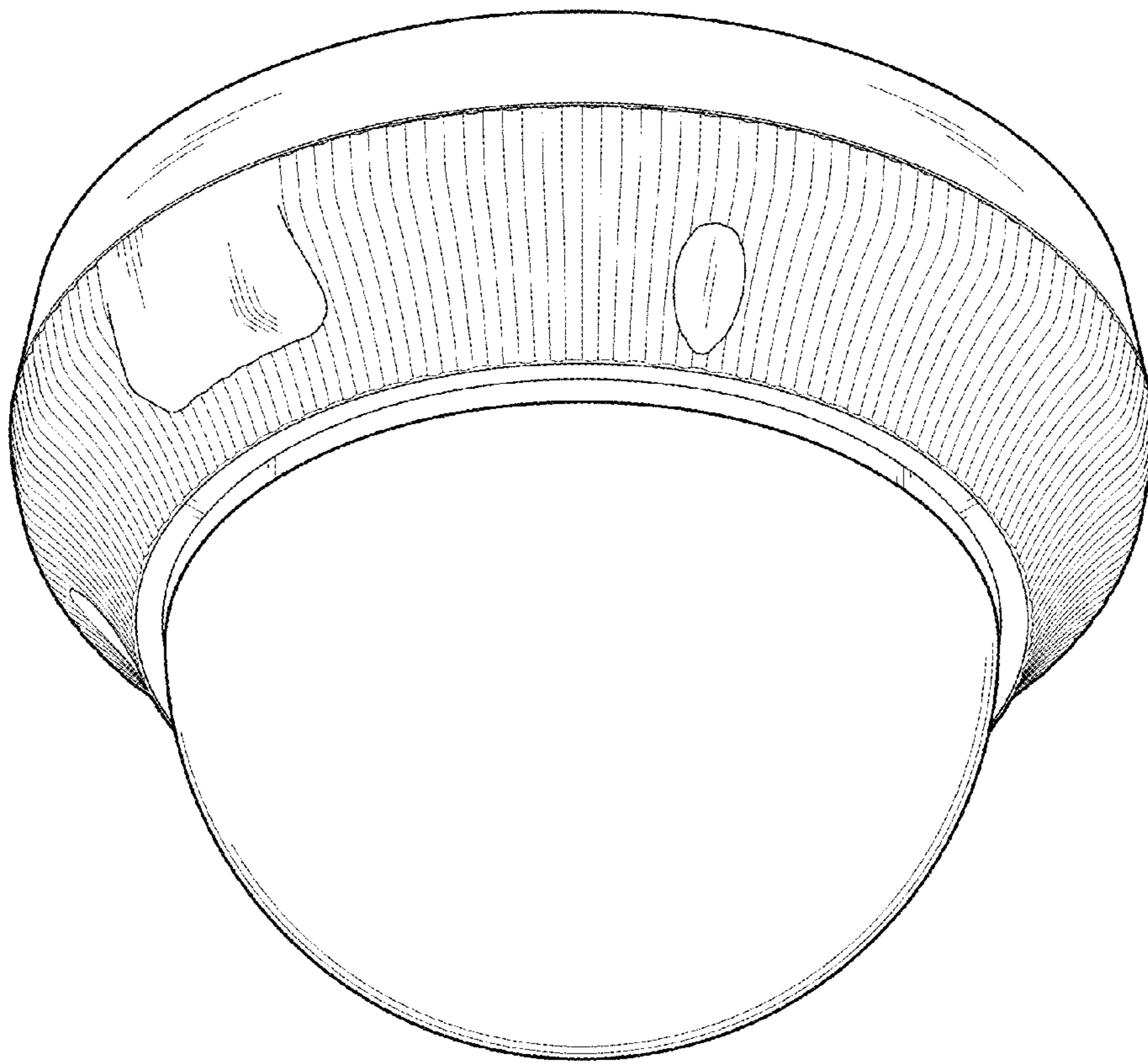


FIG. 2

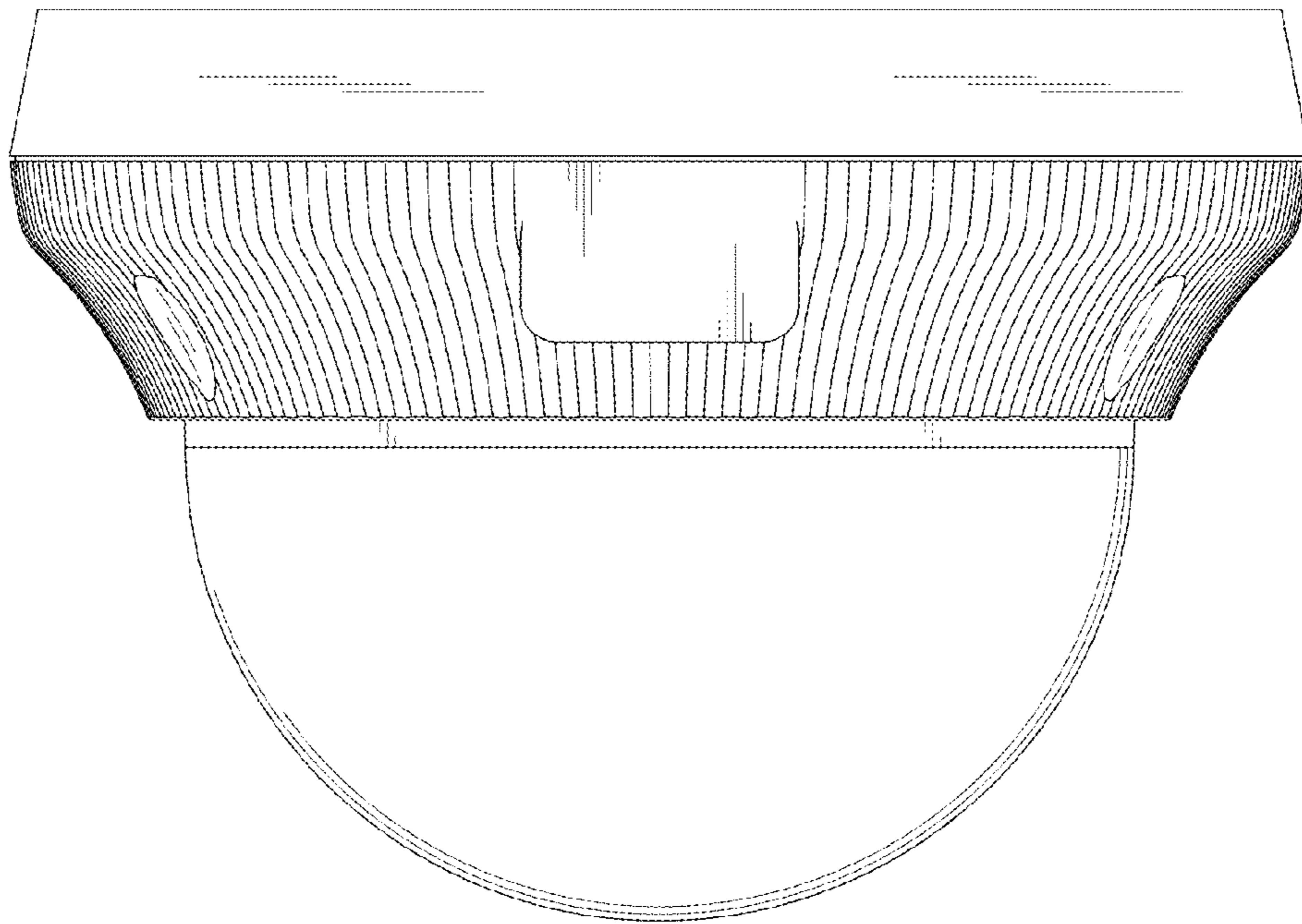


FIG. 3

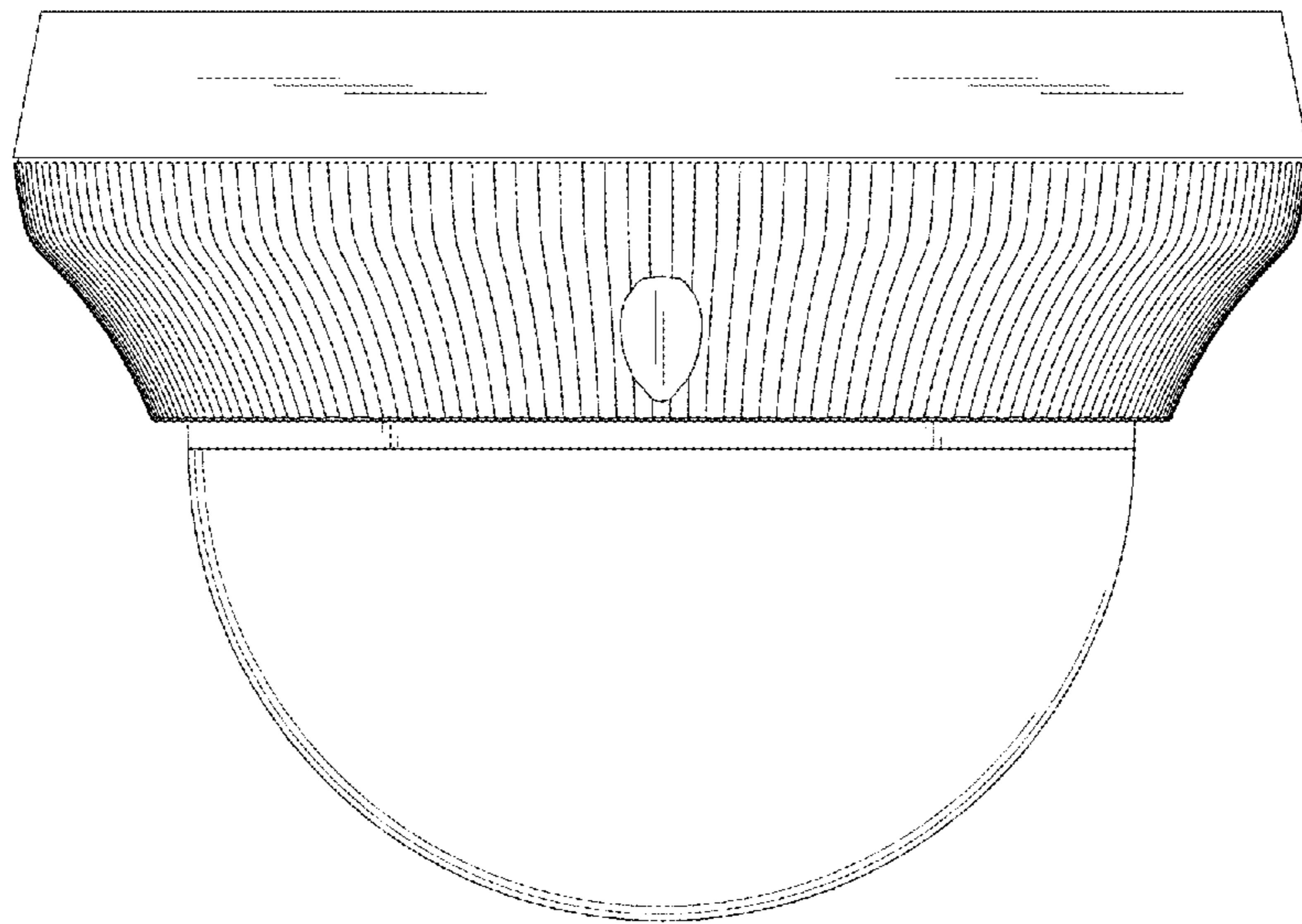


FIG. 4

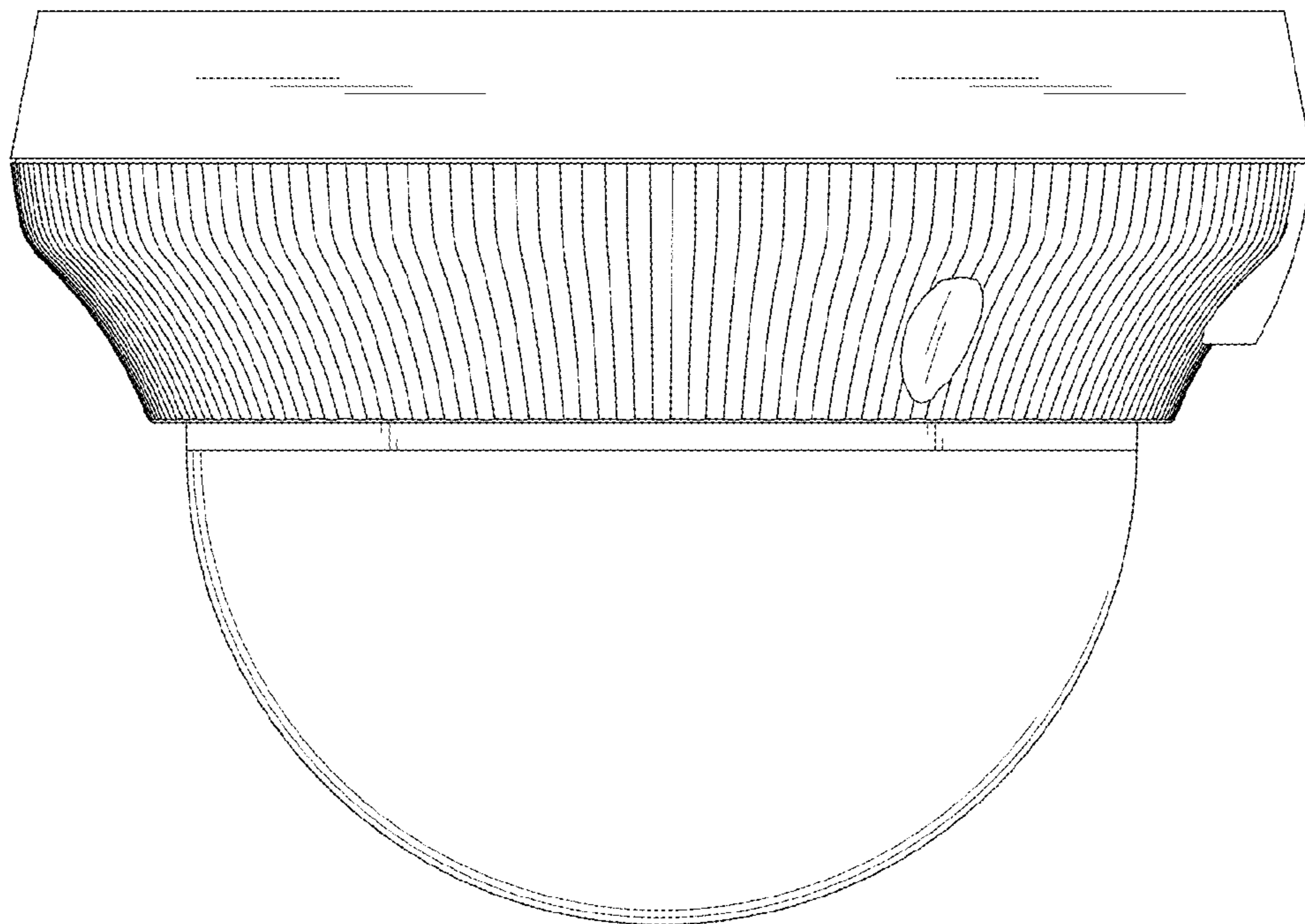


FIG. 5

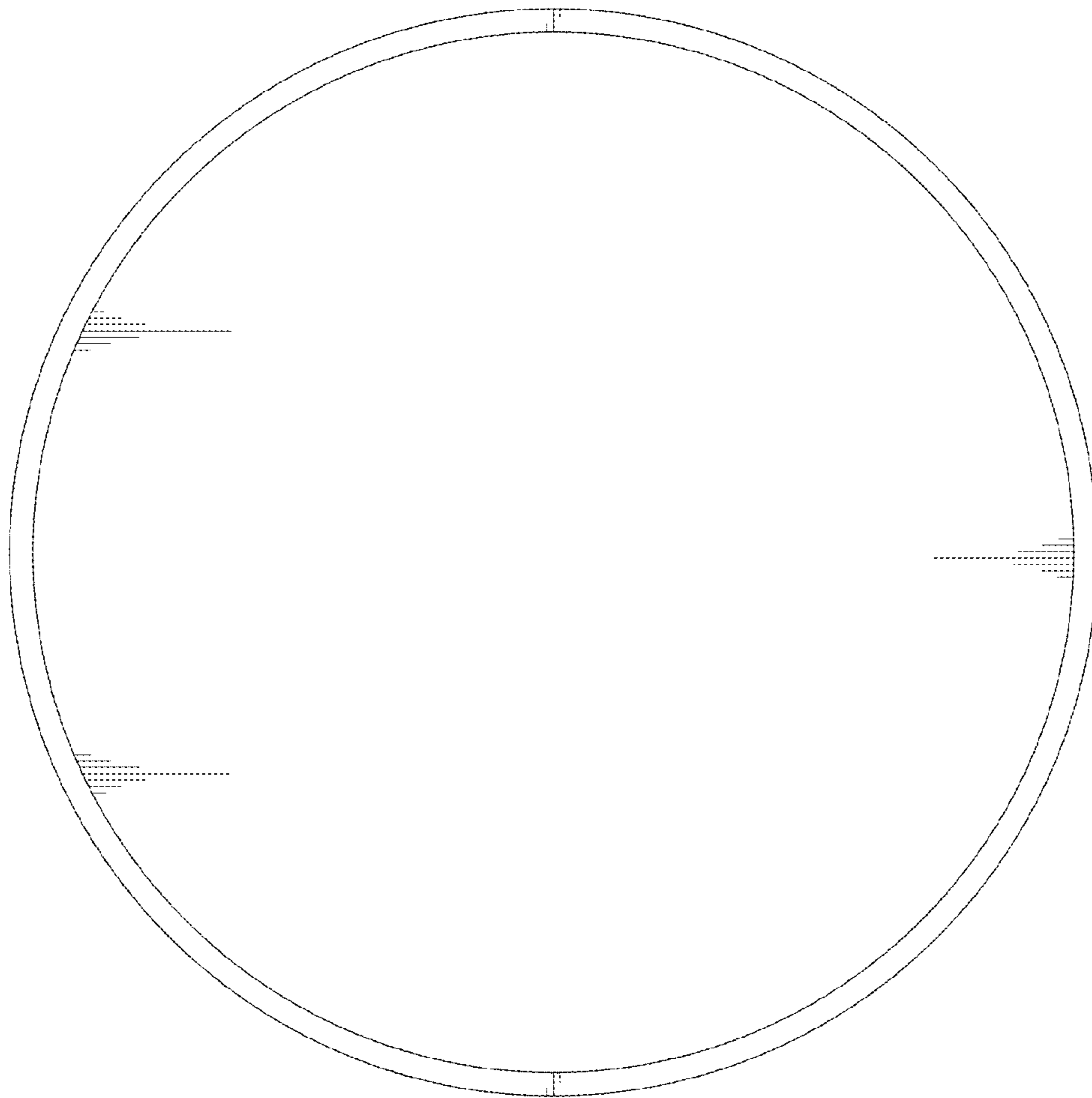


FIG. 6

