



US00D690344S

(12) **United States Design Patent**  
**Hollinger**

(10) **Patent No.:** **US D690,344 S**

(45) **Date of Patent:** **\*\* Sep. 24, 2013**

(54) **HOUSING FOR A PLURALITY OF CAMERAS**

(76) Inventor: **Steven J. Hollinger**, Boston, MA (US)

(\*\*) Term: **14 Years**

(21) Appl. No.: **29/430,719**

(22) Filed: **Aug. 29, 2012**

(51) **LOC (9) Cl.** ..... **16-01**

(52) **U.S. Cl.**  
USPC ..... **D16/200; D16/203**

(58) **Field of Classification Search**  
USPC ..... D16/200, 202, 203, 204, 208, 218;  
348/143, 151, 373-376; 396/427, 535-541  
See application file for complete search history.

(56) **References Cited**

U.S. PATENT DOCUMENTS

4,736,218	A *	4/1988	Kutman	.....	396/427
D395,715	S *	6/1998	Queen	.....	D16/203
D453,350	S *	2/2002	Fenton et al.	.....	D16/203
D547,347	S *	7/2007	Kim	.....	D16/203
D554,682	S *	11/2007	Martinez et al.	.....	D16/203
D561,220	S *	2/2008	Alm et al.	.....	D16/203
D603,441	S *	11/2009	Wada et al.	.....	D16/203
7,719,610	B2 *	5/2010	Kung et al.	.....	348/373

D629,436	S *	12/2010	Cheng et al.	.....	D16/203
7,955,006	B1 *	6/2011	Harvey	.....	396/427
D654,528	S *	2/2012	Easley et al.	.....	D16/245
D659,736	S *	5/2012	Cheng	.....	D16/225
8,477,184	B2 *	7/2013	Hollinger	.....	348/151

\* cited by examiner

*Primary Examiner* — Adir Aronovich

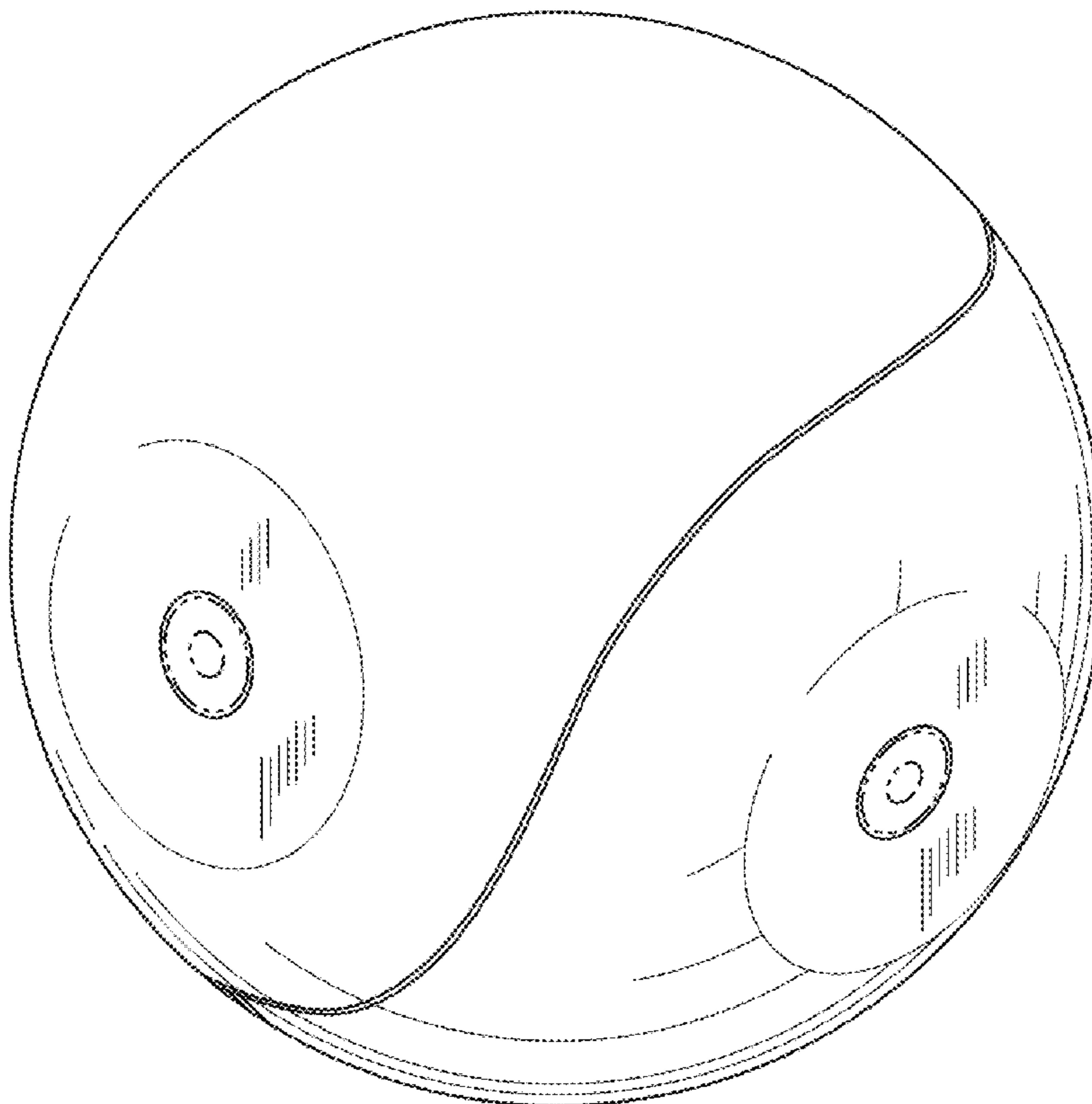
(57) **CLAIM**

The ornamental design for a housing for a plurality of cameras, as shown and described.

**DESCRIPTION**

FIG. 1 is a perspective view of a housing for a plurality of cameras showing my new design;  
FIG. 2 is a front elevational view thereof;  
FIG. 3 is a right side elevational view thereof, the undisclosed left side elevational view being a mirror image of the right side;  
FIG. 4 is a rear elevational view thereof;  
FIG. 5 is a bottom plan view thereof; and,  
FIG. 6 is a top plan view thereof.  
The broken lines in the figures are for illustrative purposes only and form no part of the claimed design.

**1 Claim, 2 Drawing Sheets**



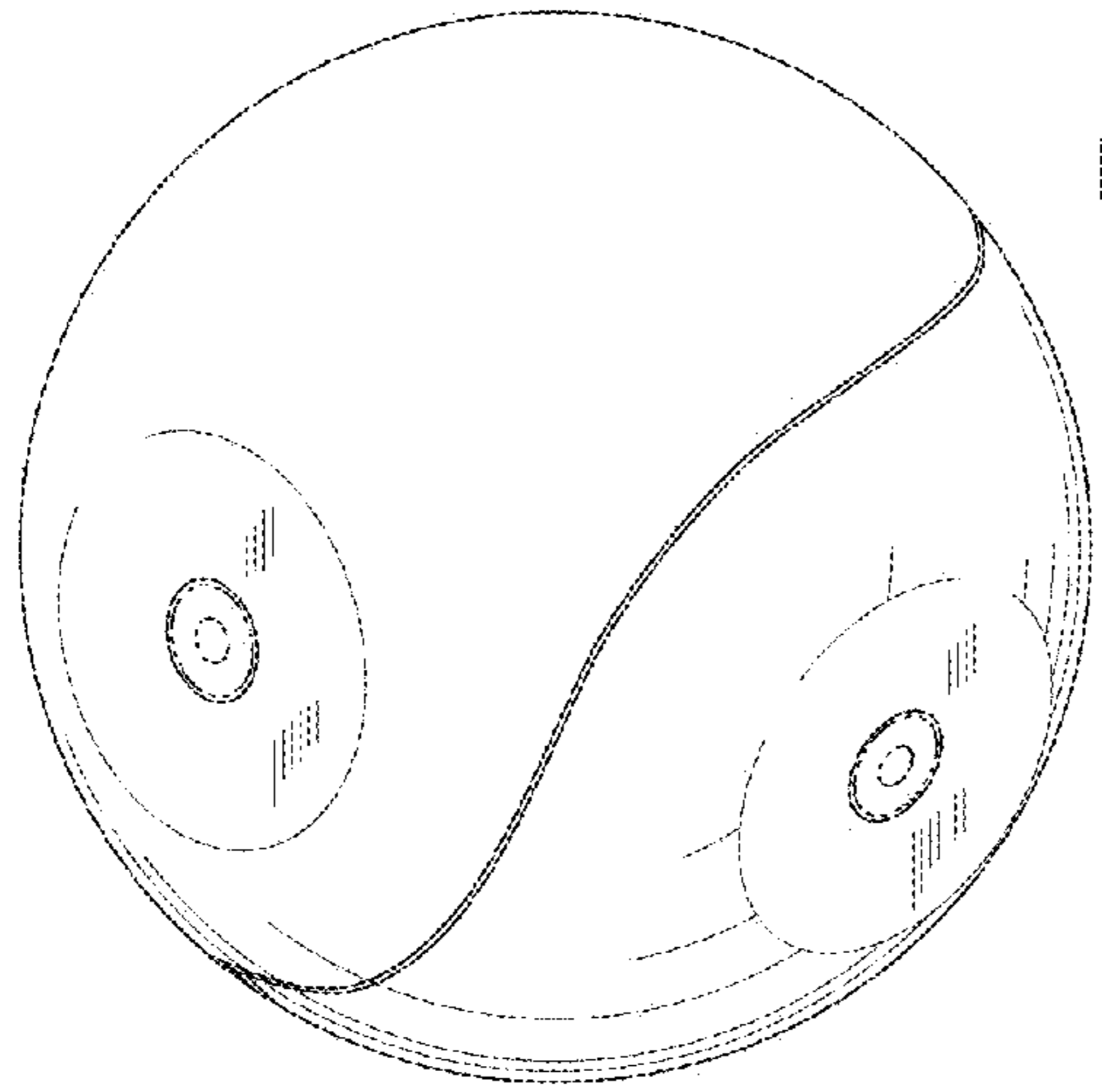


FIG. 1

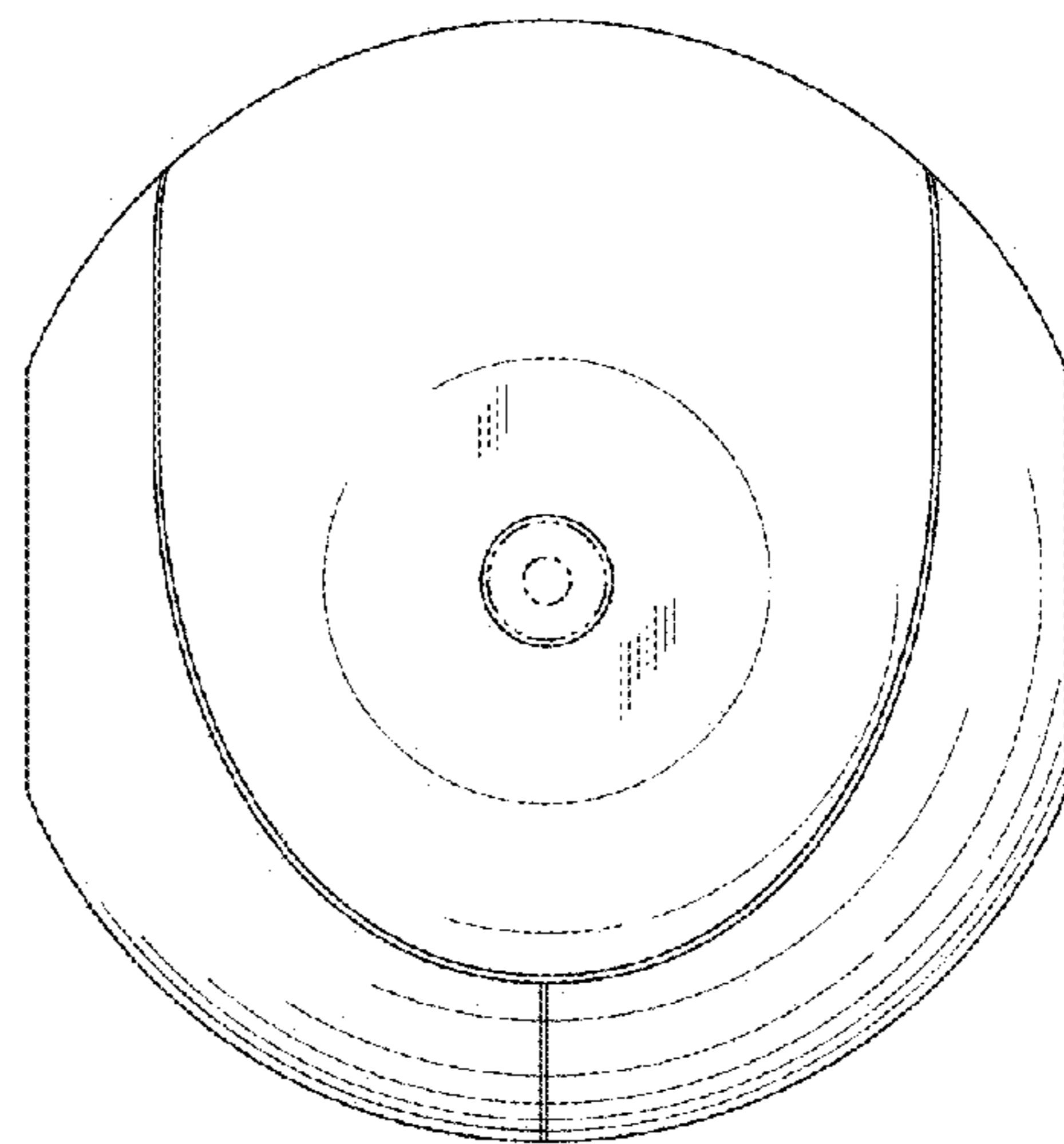


FIG. 2

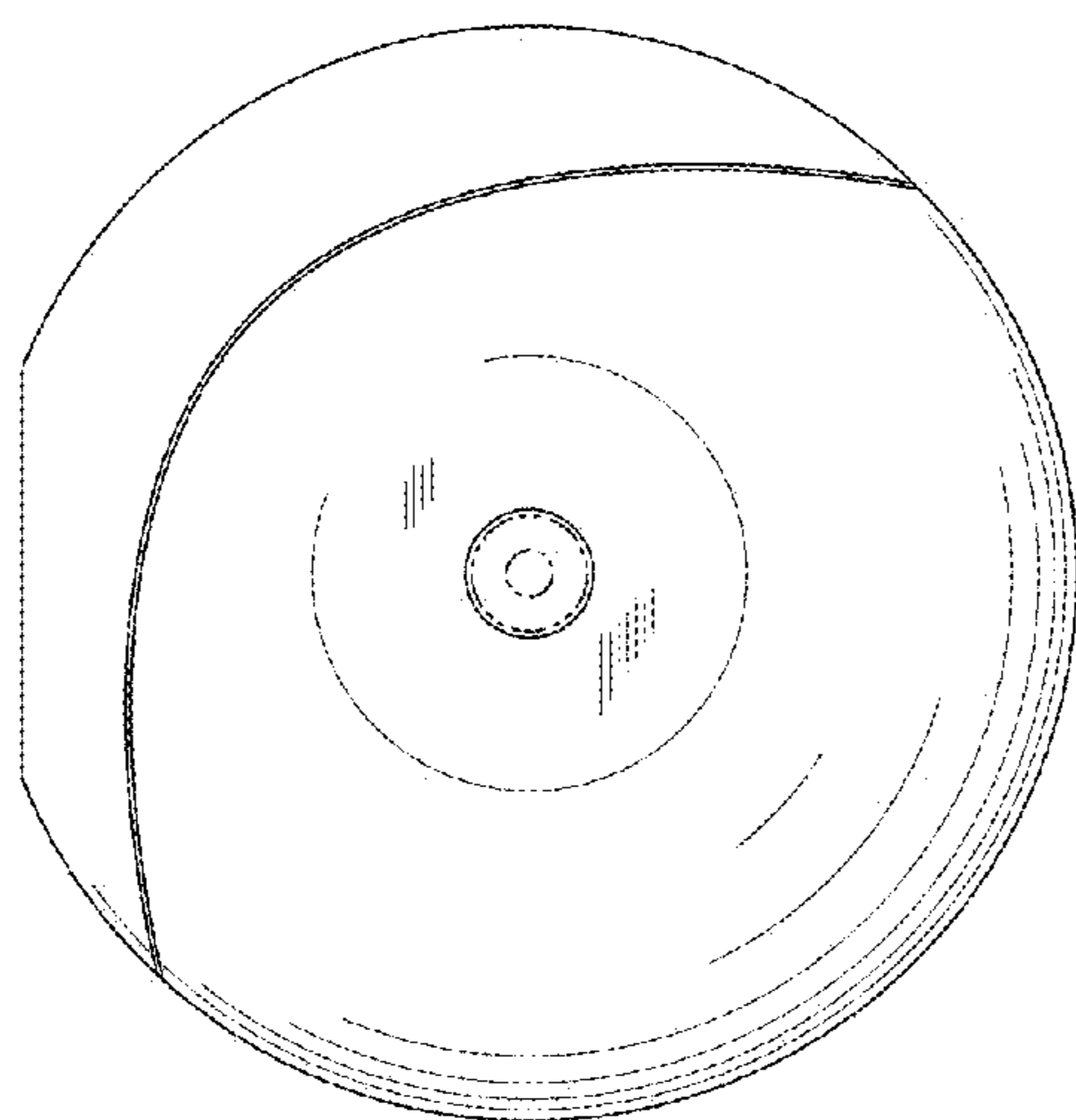


FIG. 3

FIG. 4

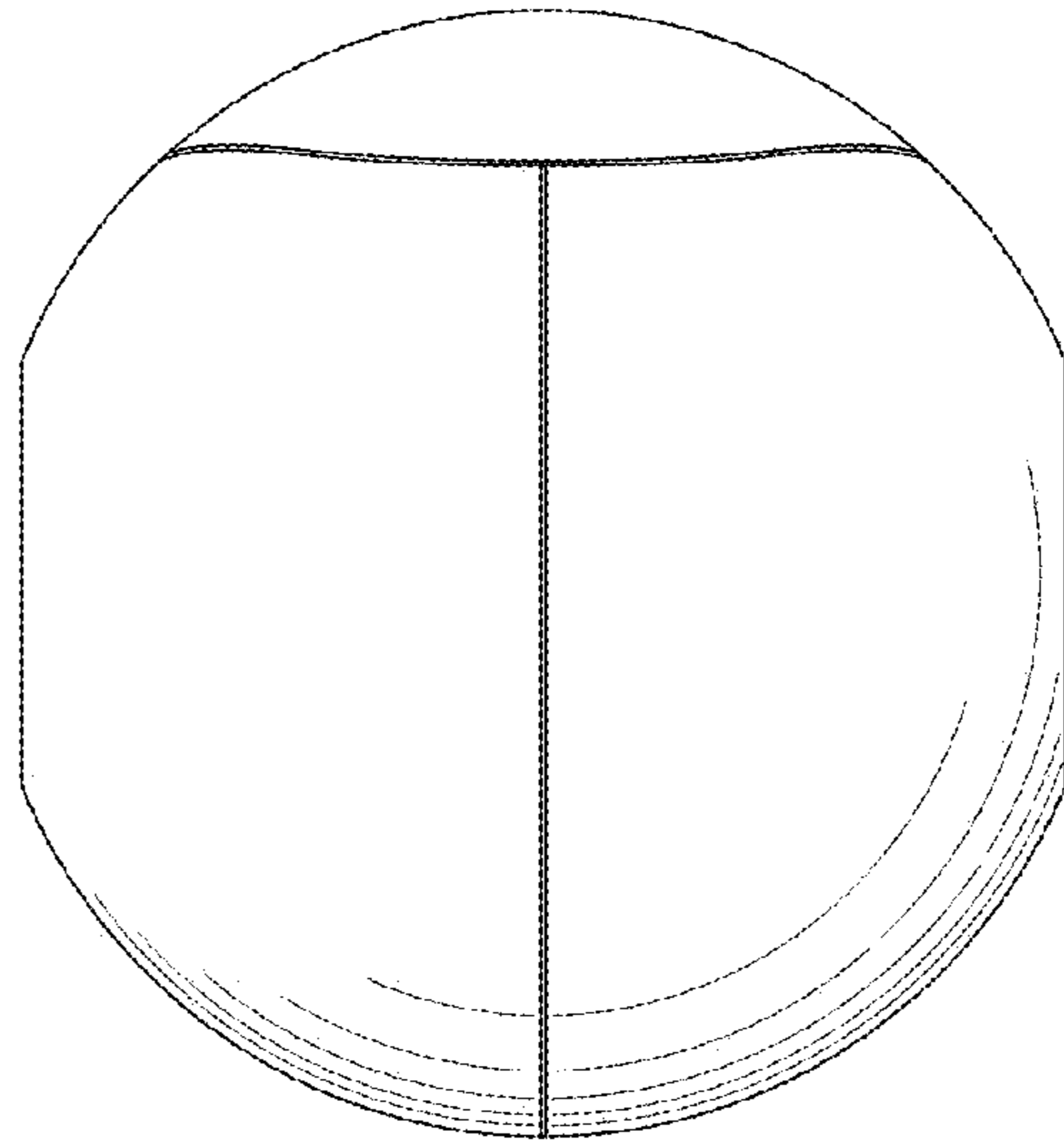


FIG. 5

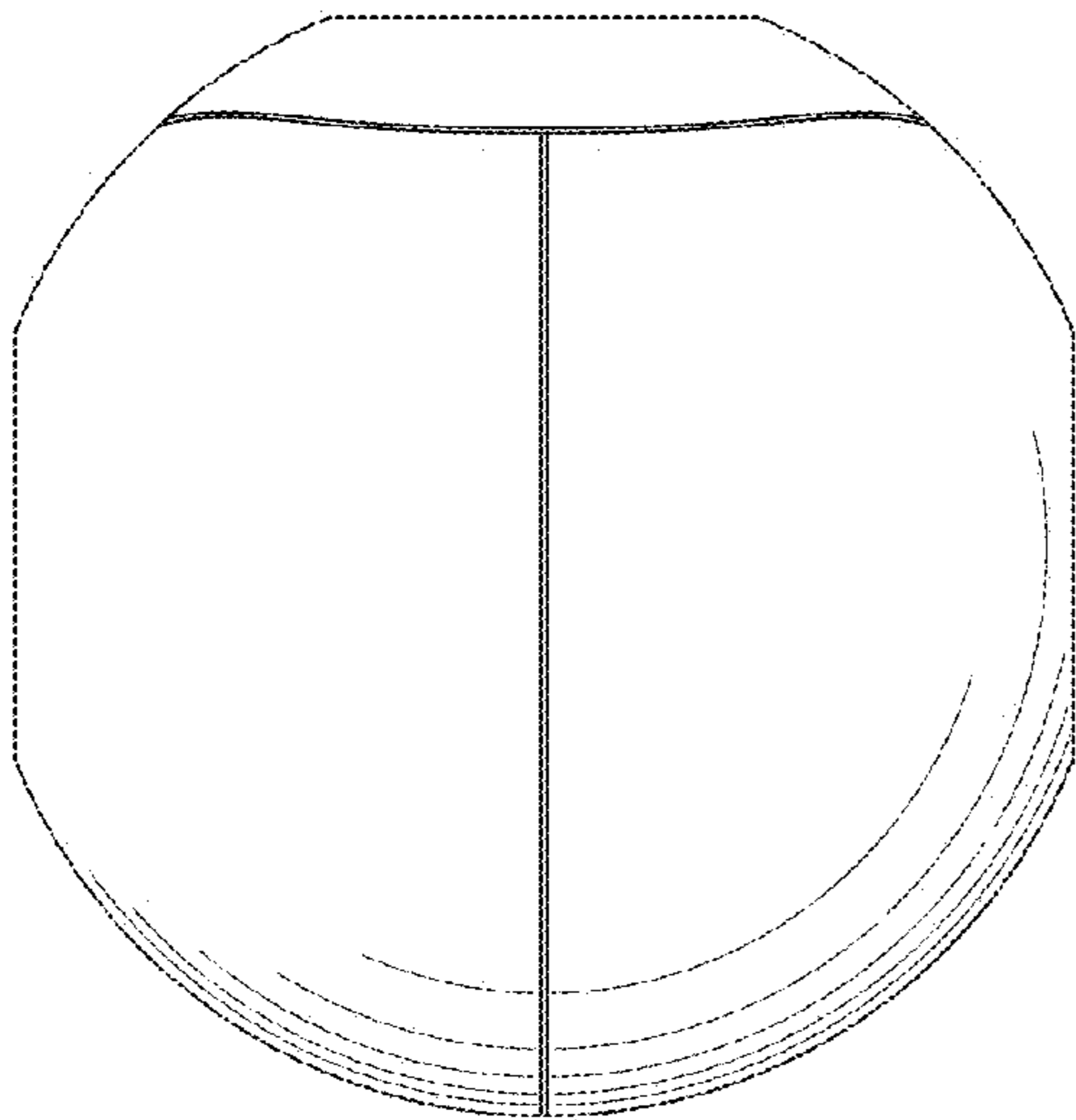


FIG. 6

