



US00D690342S

(12) **United States Design Patent**
Funakoshi et al.

(10) **Patent No.:** **US D690,342 S**
(45) **Date of Patent:** **** Sep. 24, 2013**

(54) **MICROSCOPE**

(75) Inventors: **Yasuo Funakoshi**, Hachioji (JP); **Kenji Tajima**, Hachioji (JP); **Reisuke Osada**, Hachioji (JP); **Akihiro Kitahara**, Hino (JP); **Masayoshi Karasawa**, Nagano (JP)

(73) Assignee: **Olympus Corporation**, Tokyo (JP)

(**) Term: **14 Years**

(21) Appl. No.: **29/432,018**

(22) Filed: **Sep. 12, 2012**

(30) **Foreign Application Priority Data**

Mar. 30, 2012 (JP) 2012-007646

(51) **LOC (9) CL.** **16-01**

(52) **U.S. CL.**
USPC **D16/131**

(58) **Field of Classification Search**
USPC D16/130, 131; 359/363, 368, 372,
359/378, 383, 388, 389, 390, 386, 801, 821,
359/824

See application file for complete search history.

(56) **References Cited**

U.S. PATENT DOCUMENTS

| | | | | | |
|-----------|-----|---------|-------------------|-------|---------|
| 3,752,589 | A * | 8/1973 | Kobayashi | | 356/401 |
| 4,210,384 | A * | 7/1980 | Meyer et al. | | 359/363 |
| D278,915 | S * | 5/1985 | Hoelbl et al. | | D16/131 |
| 4,573,772 | A * | 3/1986 | Endo et al. | | 359/370 |
| 4,619,503 | A * | 10/1986 | Reinheimer et al. | | 359/372 |
| D290,129 | S * | 6/1987 | Kahute | | D16/131 |
| 4,749,270 | A * | 6/1988 | Endo et al. | | 359/392 |
| D303,267 | S * | 9/1989 | Takahashi et al. | | D16/131 |
| 5,235,459 | A * | 8/1993 | Meyer et al. | | 359/372 |
| D356,804 | S * | 3/1995 | Hofmann-Igl | | D16/131 |
| 6,147,797 | A * | 11/2000 | Lee | | 359/363 |

| | | | | | |
|-----------|------|---------|------------------|-------|---------|
| 6,160,662 | A * | 12/2000 | Uchida et al. | | 359/390 |
| 6,208,462 | B1 * | 3/2001 | Yonetani | | 359/434 |
| 6,268,958 | B1 * | 7/2001 | Furuhashi | | 359/381 |
| 6,339,498 | B1 * | 1/2002 | Nishida et al. | | 359/361 |
| 6,404,546 | B2 * | 6/2002 | Toyoda et al. | | 359/392 |
| 6,813,071 | B2 * | 11/2004 | Takahama | | 359/381 |
| 6,992,820 | B2 * | 1/2006 | Abe et al. | | 359/388 |
| D626,162 | S * | 10/2010 | Suzuki et al. | | D16/131 |
| D630,660 | S * | 1/2011 | Stoiakine | | D16/131 |
| D646,704 | S * | 10/2011 | Funakoshi | | D16/131 |
| D663,338 | S * | 7/2012 | Okamoto et al. | | D16/131 |
| 8,300,308 | B2 * | 10/2012 | Tamura | | 359/381 |
| D674,424 | S * | 1/2013 | Apotheloz | | D16/131 |
| 8,369,010 | B2 * | 2/2013 | Karasawa et al. | | 359/368 |
| D680,567 | S * | 4/2013 | Funahoshi et al. | | D16/131 |
| D680,568 | S * | 4/2013 | Funshoshi et al. | | D16/131 |
| D681,088 | S * | 4/2013 | Funahoshi et al. | | D16/131 |

* cited by examiner

Primary Examiner — Paula Greene

(74) *Attorney, Agent, or Firm* — Holtz, Holtz, Goodman & Chick, PC

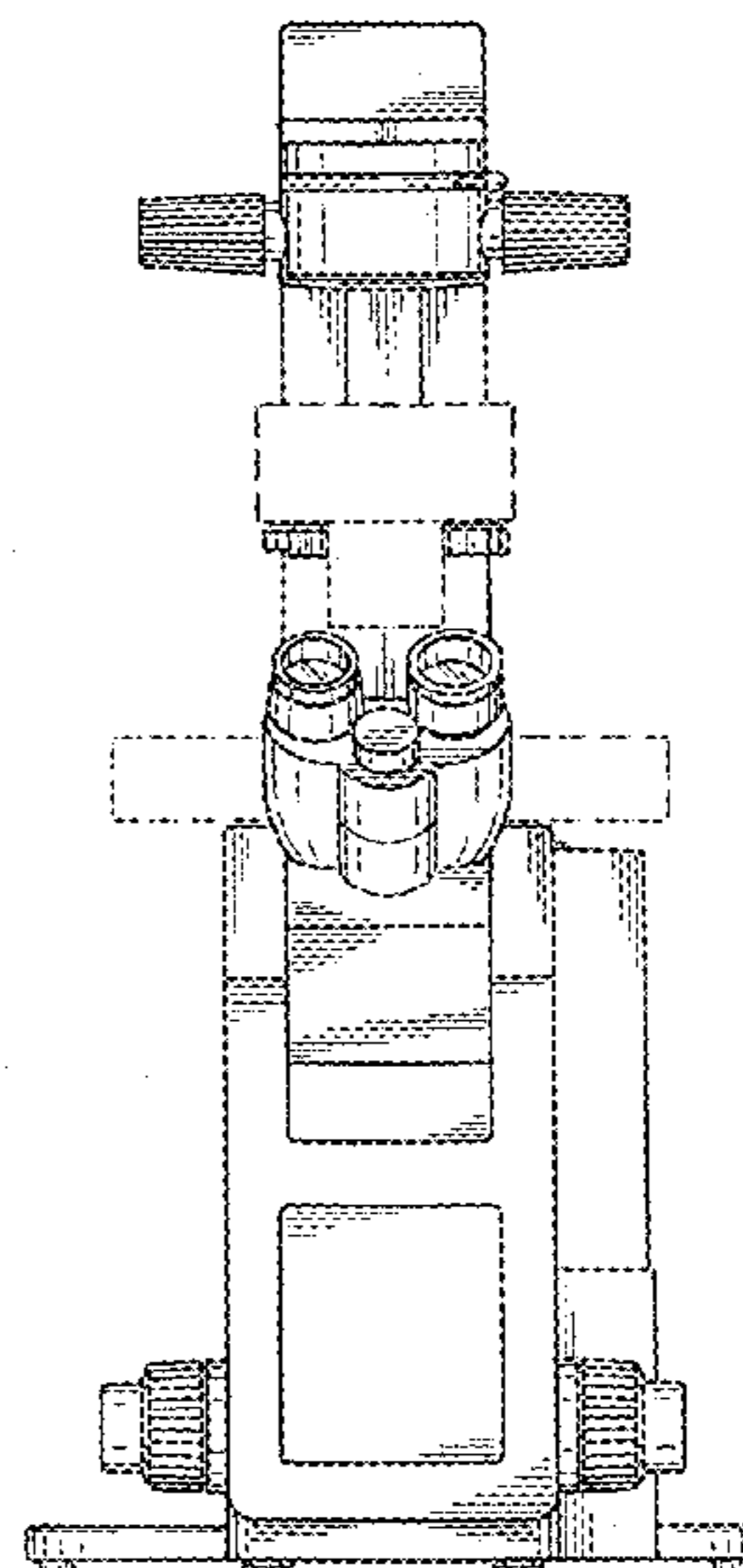
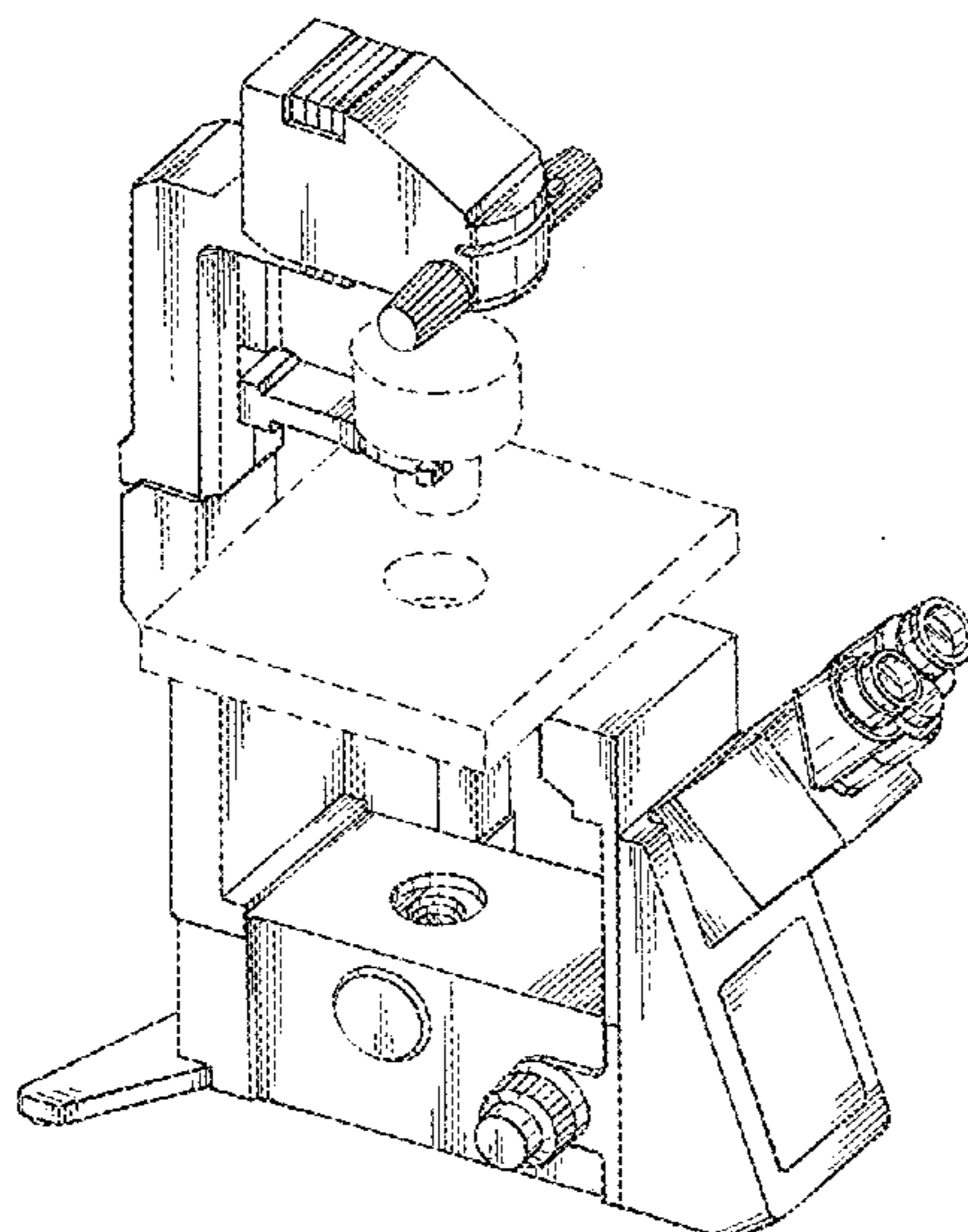
(57) **CLAIM**

The ornamental design for a microscope, as shown and described.

DESCRIPTION

FIG. 1 is a top, front, left side perspective view of a microscope showing our new design, shown in a use state; FIG. 2 is a top, front, right side perspective view thereof; FIG. 3 is a front elevational view thereof; FIG. 4 is a rear elevational view thereof; FIG. 5 is a left side view thereof; FIG. 6 is a right side view thereof; FIG. 7 is a top plan view thereof; and, FIG. 8 is a bottom plan view thereof. The portions of the drawings shown in broken lines are for illustrative purposes only and form no part of the claimed design.

1 Claim, 8 Drawing Sheets



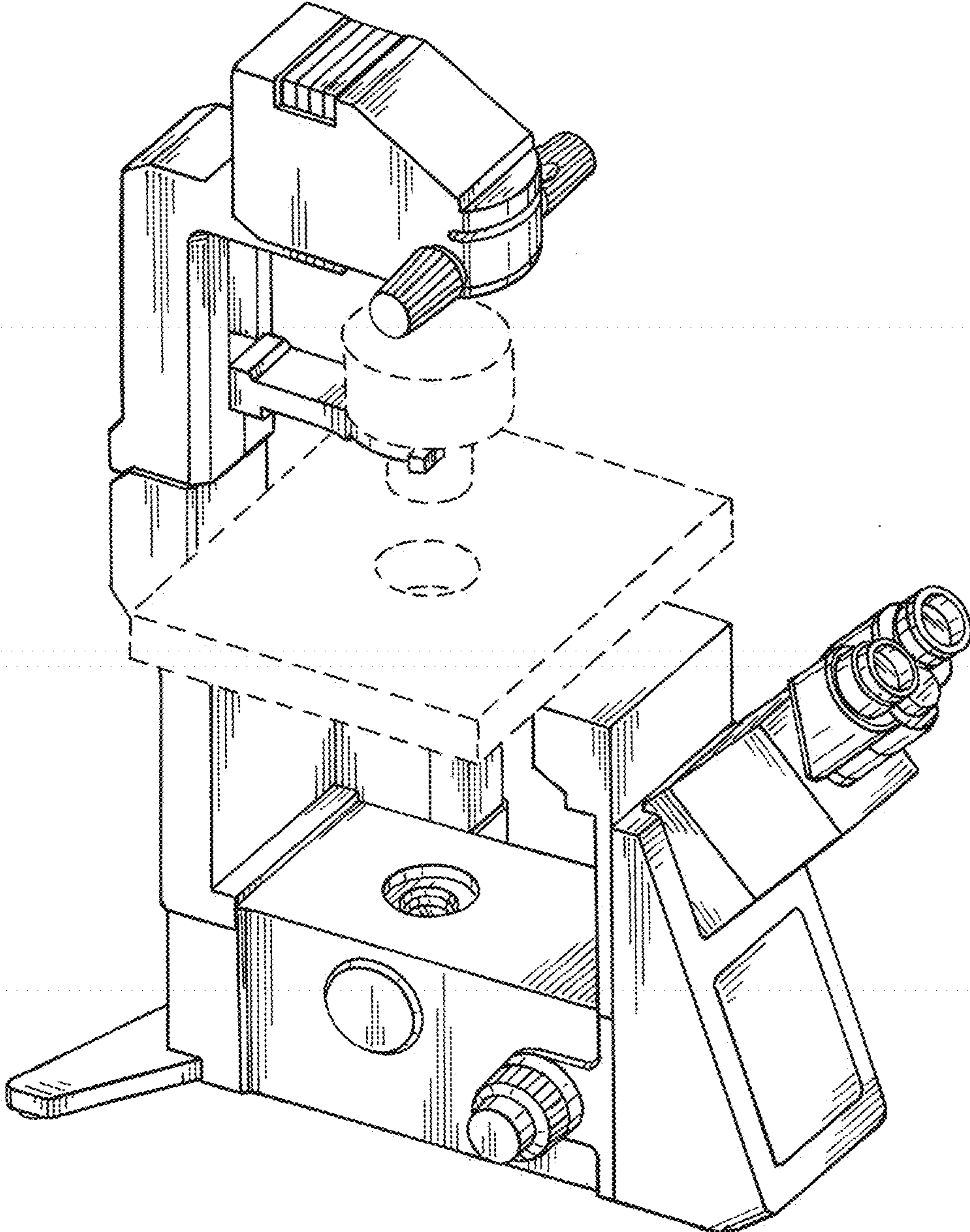


Fig. 1

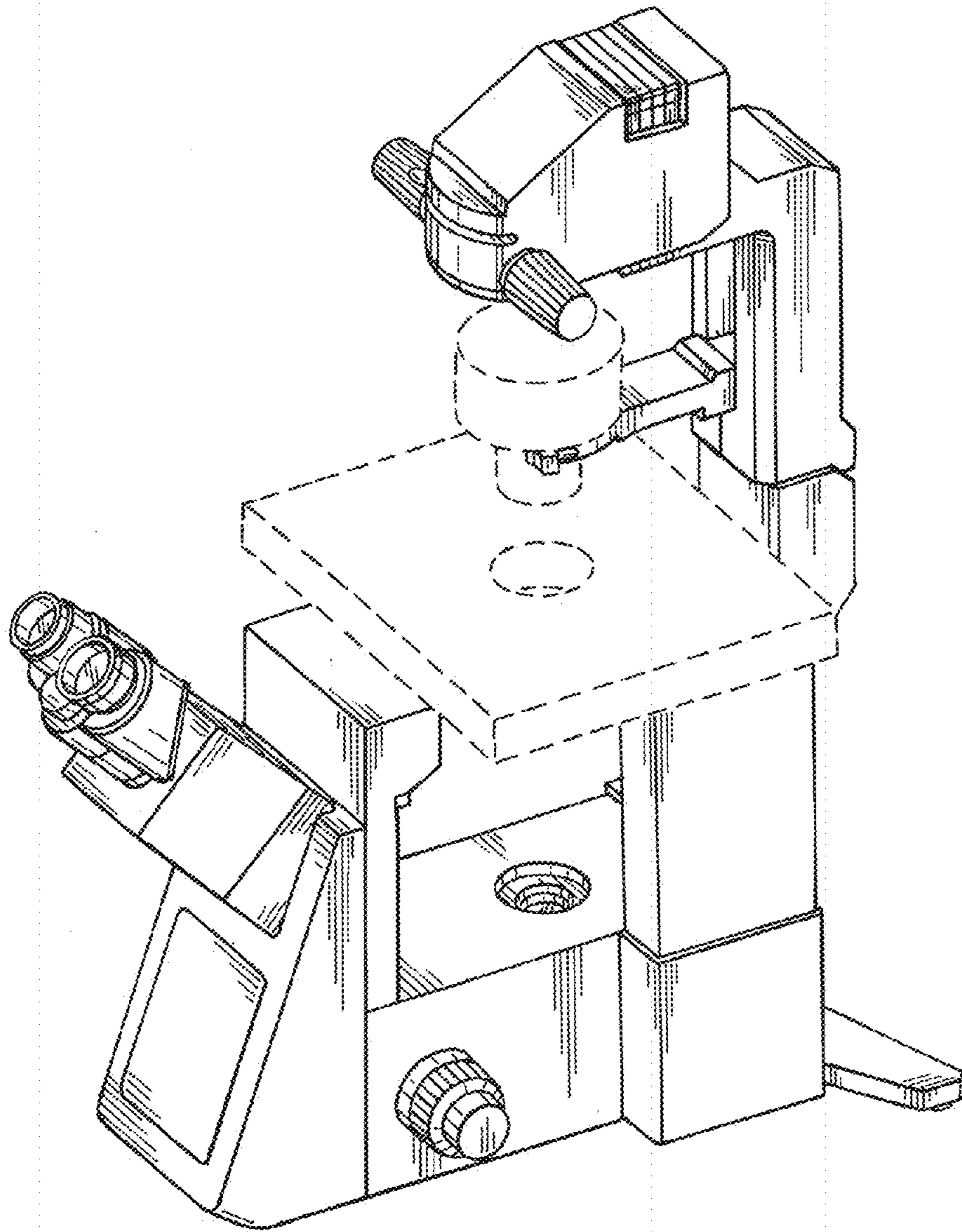


Fig. 2

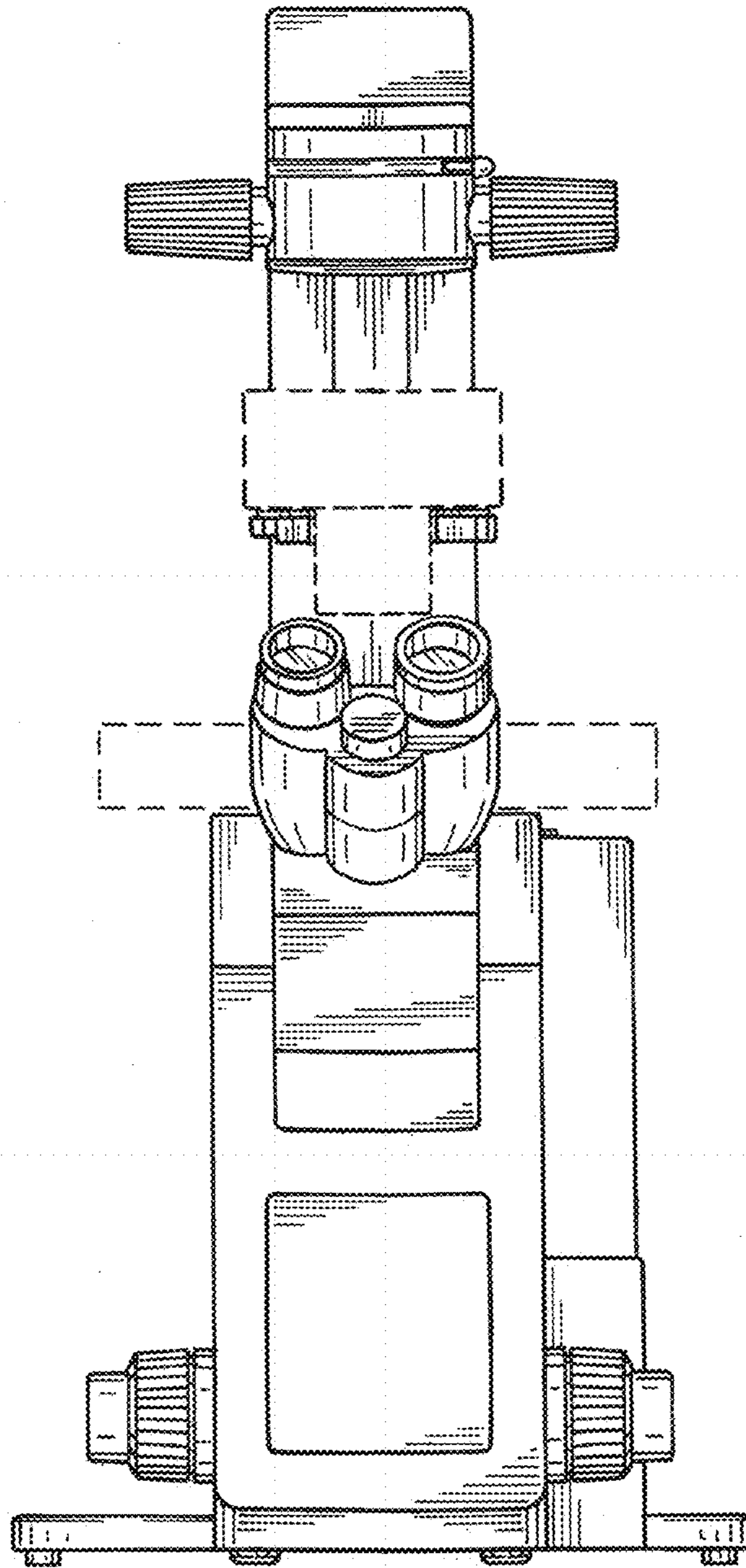


Fig. 3

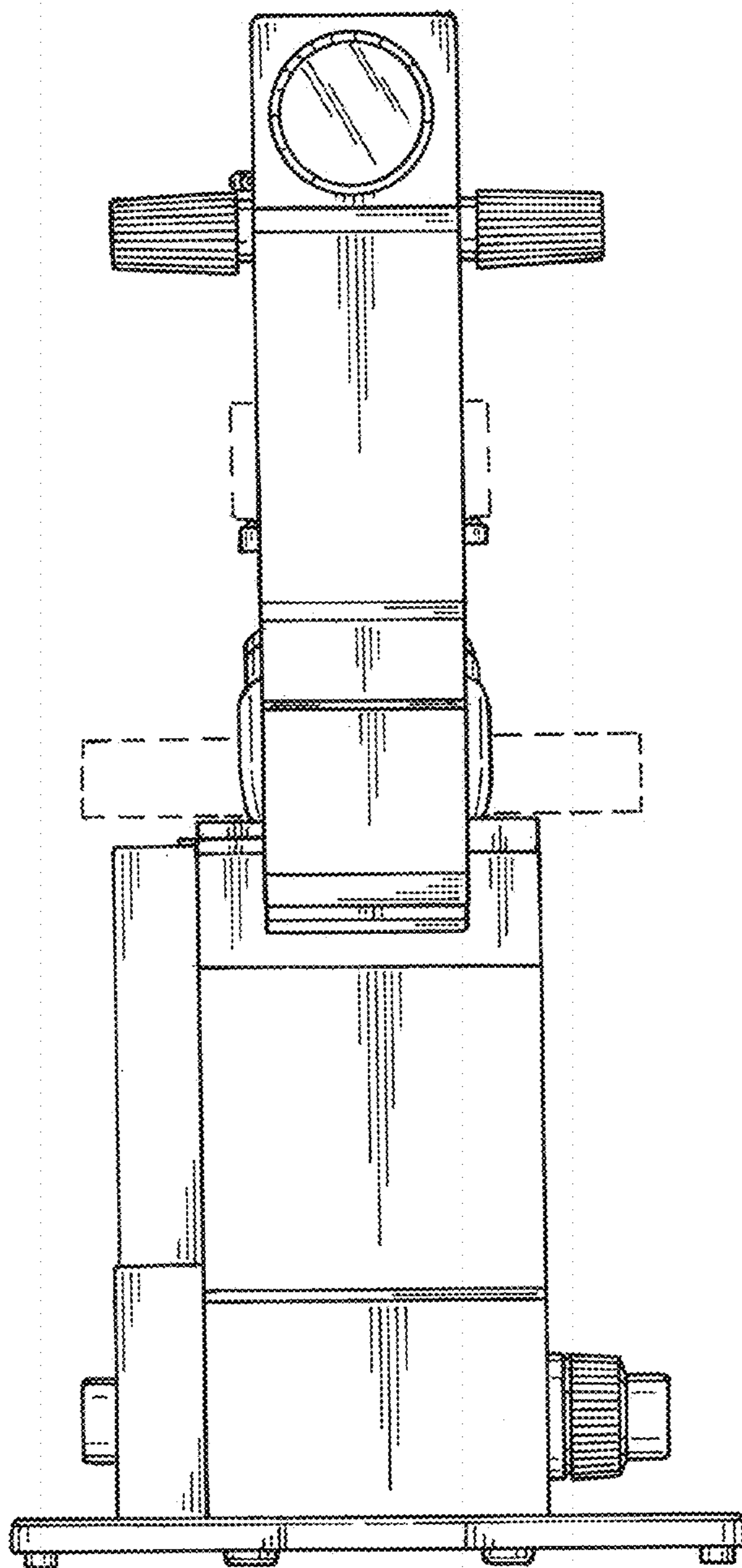


Fig. 4

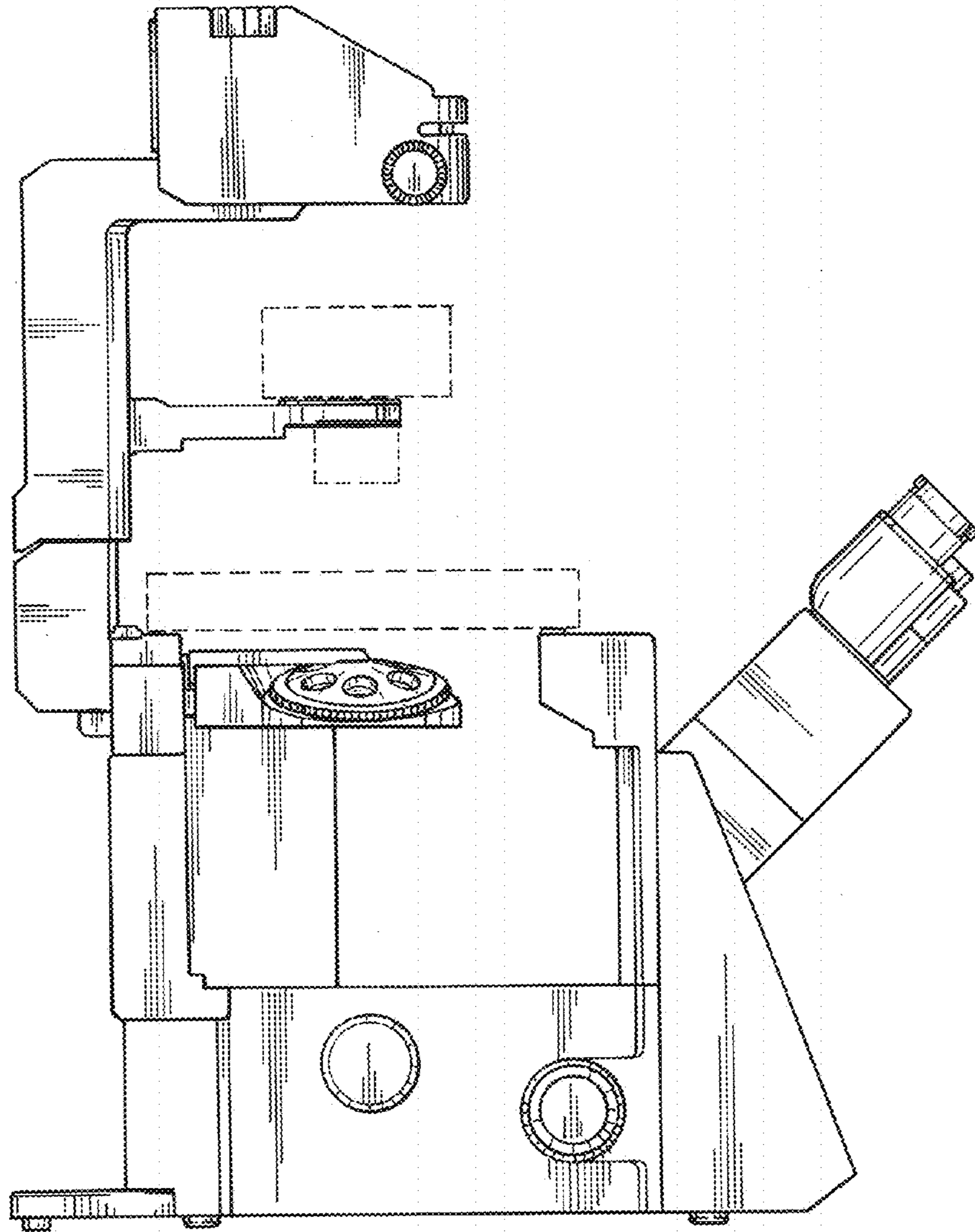


Fig. 5

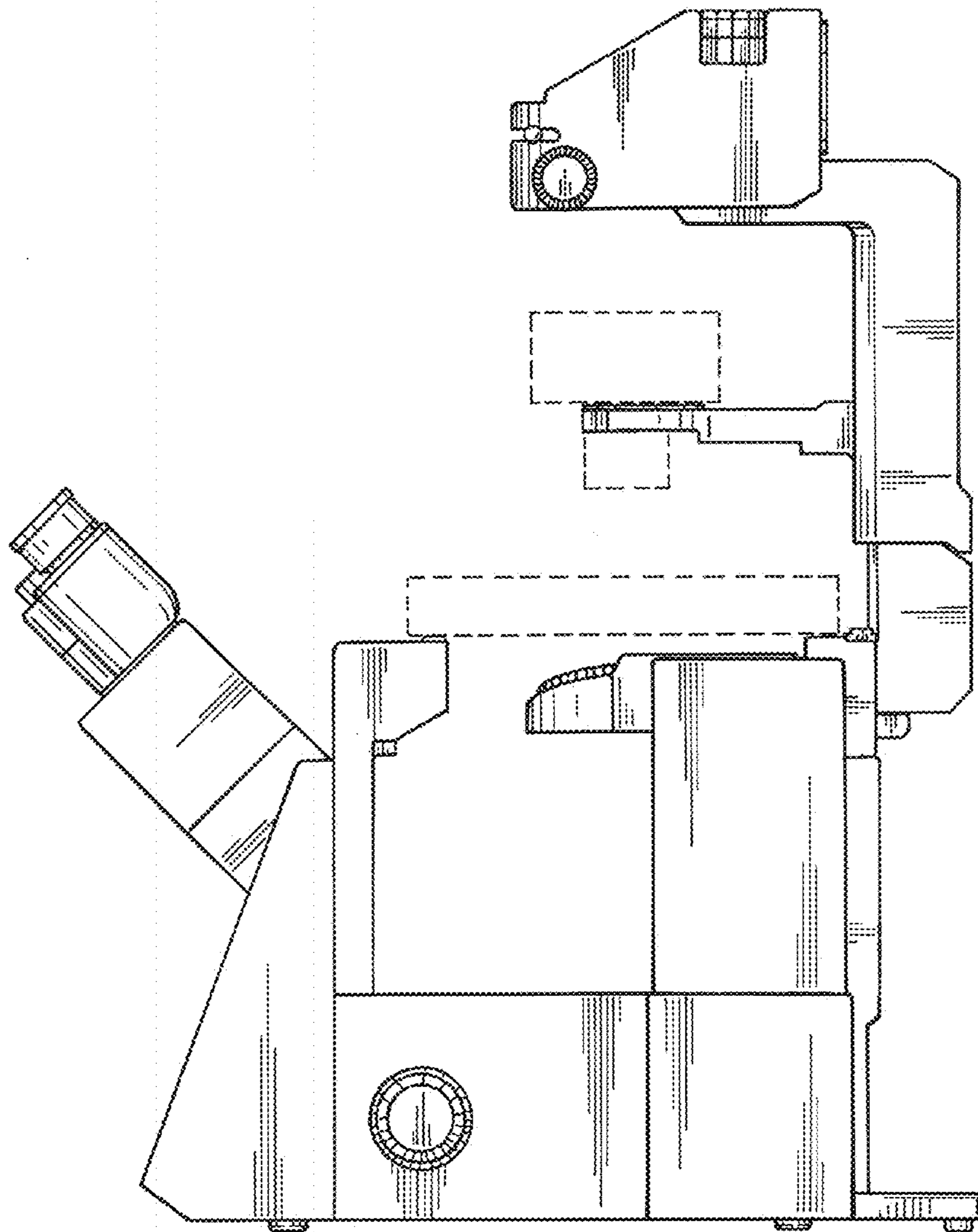


Fig. 6

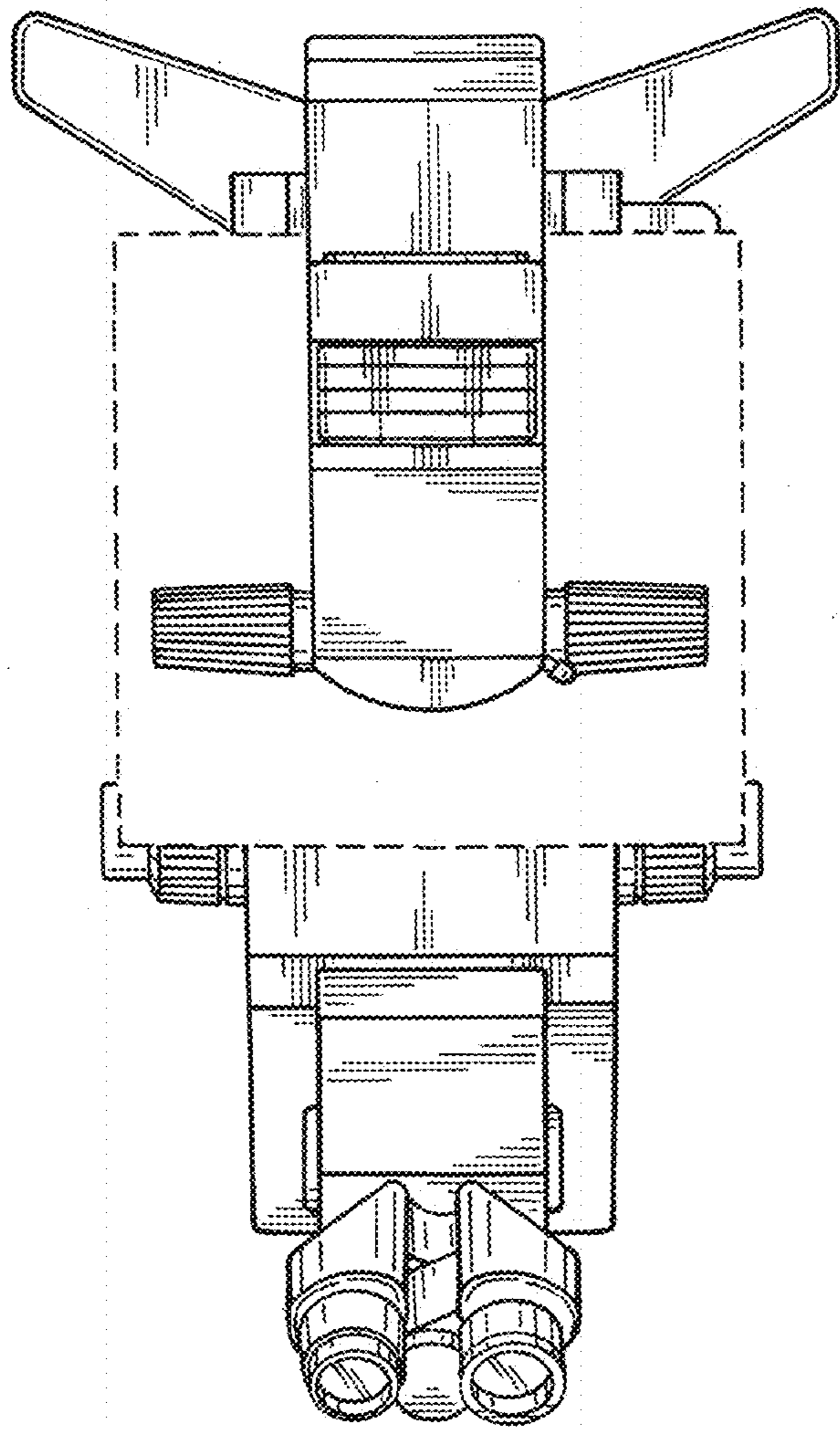


Fig. 7

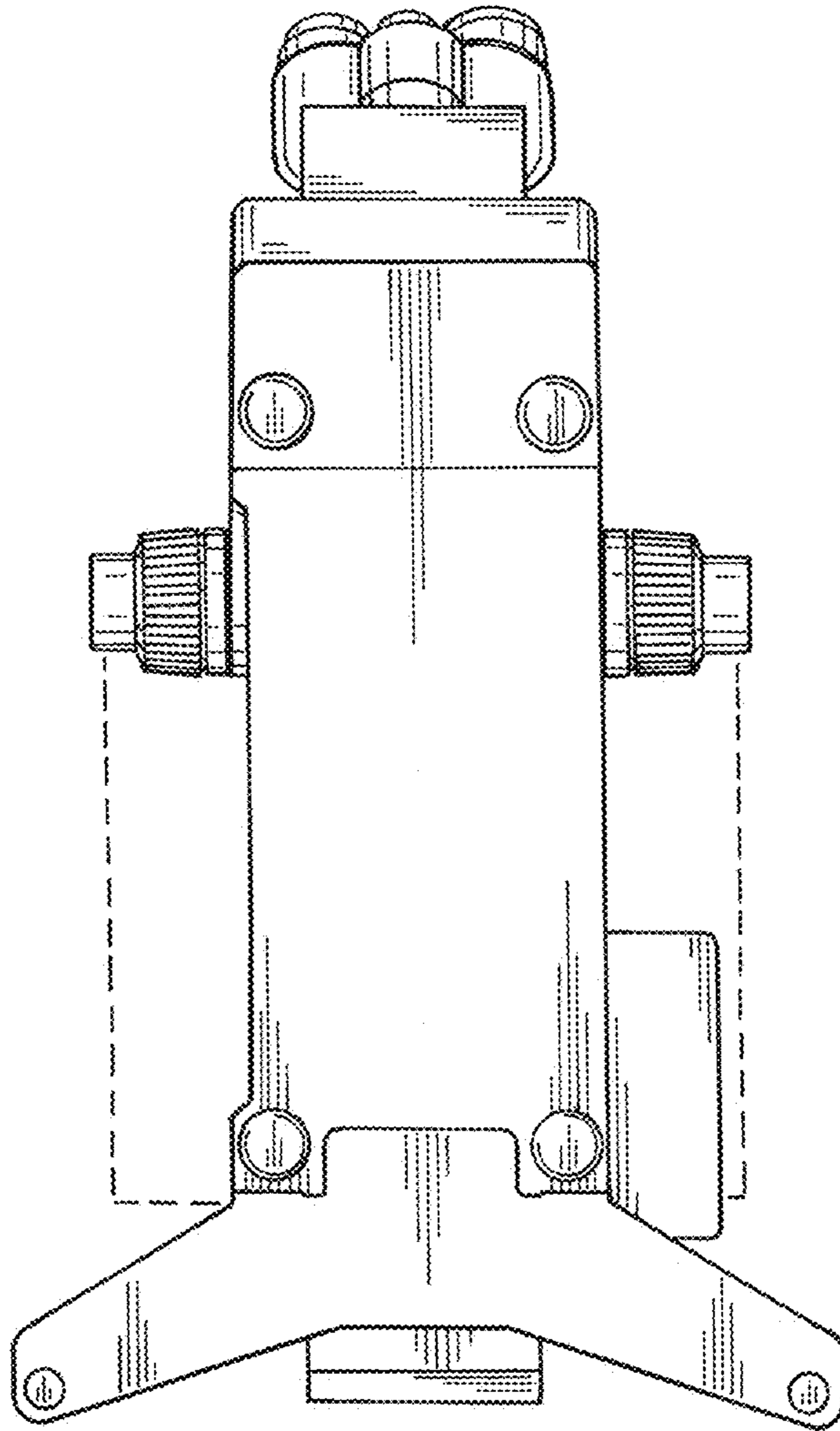


Fig. 8