



US00D690340S

(12) **United States Design Patent**
Levy et al.

(10) **Patent No.:** **US D690,340 S**

(45) **Date of Patent:** **** Sep. 24, 2013**

(54) **OIL FUNNEL**

(71) Applicant: **Navajo Manufacturing Company, Inc.**,
Denver, CO (US)

(72) Inventors: **Gordon Levy**, Golden, CO (US); **Ming Shan**, Thornton, CO (US); **David L. Martin**, Highlands Ranch, CO (US)

(73) Assignee: **Navajo Manufacturing Company, Inc.**,
Denver, CO (US)

(**) Term: **14 Years**

(21) Appl. No.: **29/446,989**

(22) Filed: **Feb. 28, 2013**

(51) **LOC (9) Cl.** **15-99**

(52) **U.S. Cl.**
USPC **D15/150**

(58) **Field of Classification Search**
USPC D7/700; D15/150, 151, 152; D23/200;
D24/121-123; 141/95, 98, 297-300, 331-345
See application file for complete search history.

(56) **References Cited**

U.S. PATENT DOCUMENTS

3,899,012	A	8/1975	Sather	
4,245,666	A *	1/1981	Norris	137/357
D282,807	S *	3/1986	Hasse	D7/700
5,092,471	A	3/1992	Pinizzotto et al.	
D340,731	S *	10/1993	Pollak et al.	D15/150
5,497,814	A	3/1996	Cannon	
6,098,678	A	8/2000	Shears	
6,179,022	B1	1/2001	Schneider et al.	
6,450,219	B1	9/2002	Ingram	

D555,439	S	11/2007	Fletcher et al.	
D560,106	S *	1/2008	Curtin	D7/700
D593,383	S *	6/2009	Pallotto et al.	D7/700
D599,902	S *	9/2009	Lilienthal et al.	D24/110
D654,766	S *	2/2012	Vaders et al.	D7/700
D661,957	S *	6/2012	Lee et al.	D7/700
D669,750	S *	10/2012	Lee et al.	D7/700
D671,379	S *	11/2012	Lion et al.	D7/700
2012/0152408	A1	6/2012	Levy et al.	

* cited by examiner

Primary Examiner — Patricia Palasik

(74) *Attorney, Agent, or Firm* — Jacobson Holman PLLC

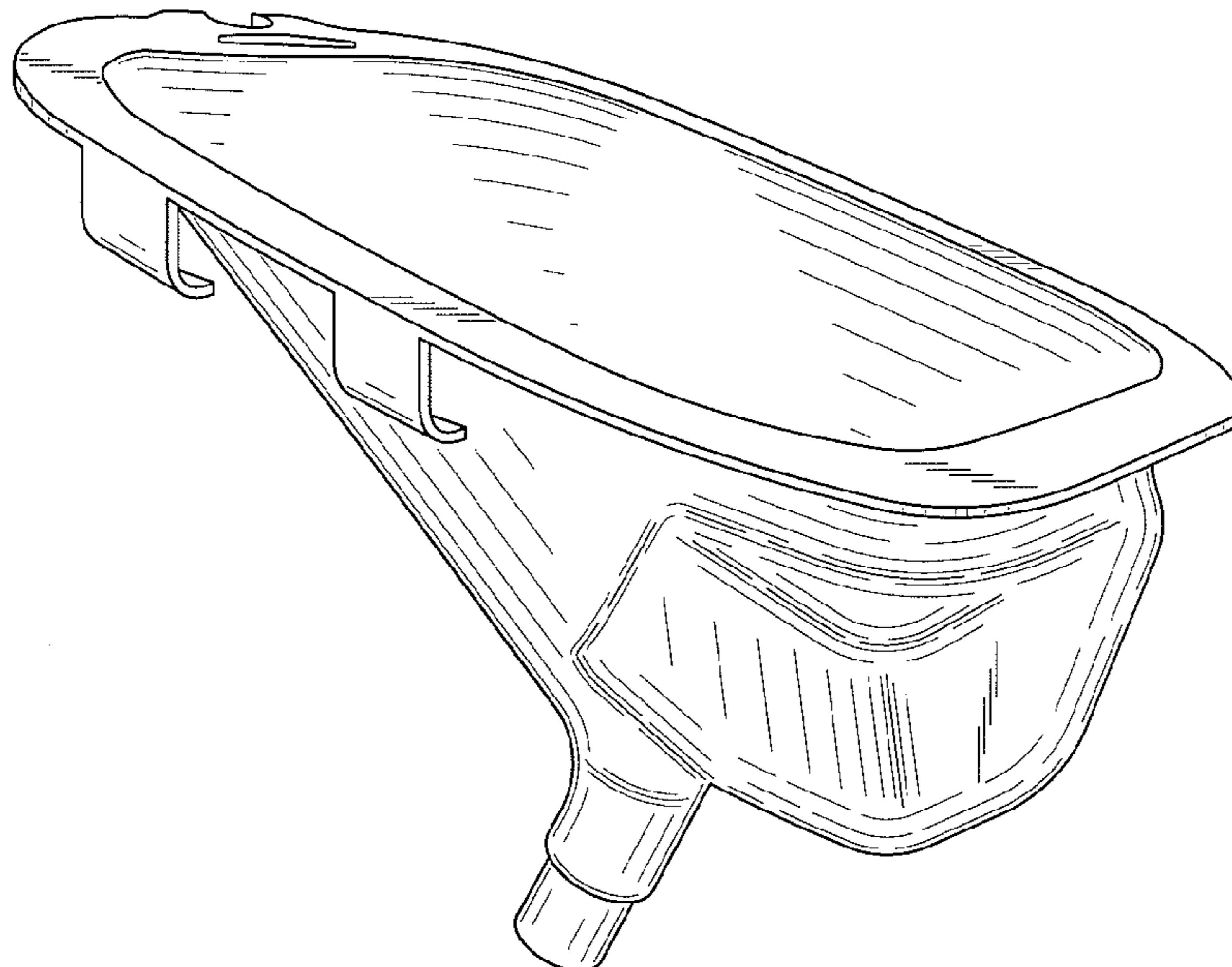
(57) **CLAIM**

The ornamental design for an oil funnel, as shown and described.

DESCRIPTION

FIG. 1 is a perspective view showing our new design for an oil funnel,
 FIG. 2 is a top view thereof,
 FIG. 3 is a bottom view thereof,
 FIG. 4 is a front view thereof,
 FIG. 5 is a rear view thereof,
 FIG. 6 is a left side view thereof,
 FIG. 7 is a right side view thereof,
 FIG. 8 is a perspective view of another embodiment of the present invention,
 FIG. 9 is a top view thereof,
 FIG. 10 is a bottom view thereof,
 FIG. 11 is a front view thereof,
 FIG. 12 is a rear view thereof,
 FIG. 13 is a right side view thereof; and,
 FIG. 14 is a left side view thereof.

1 Claim, 8 Drawing Sheets



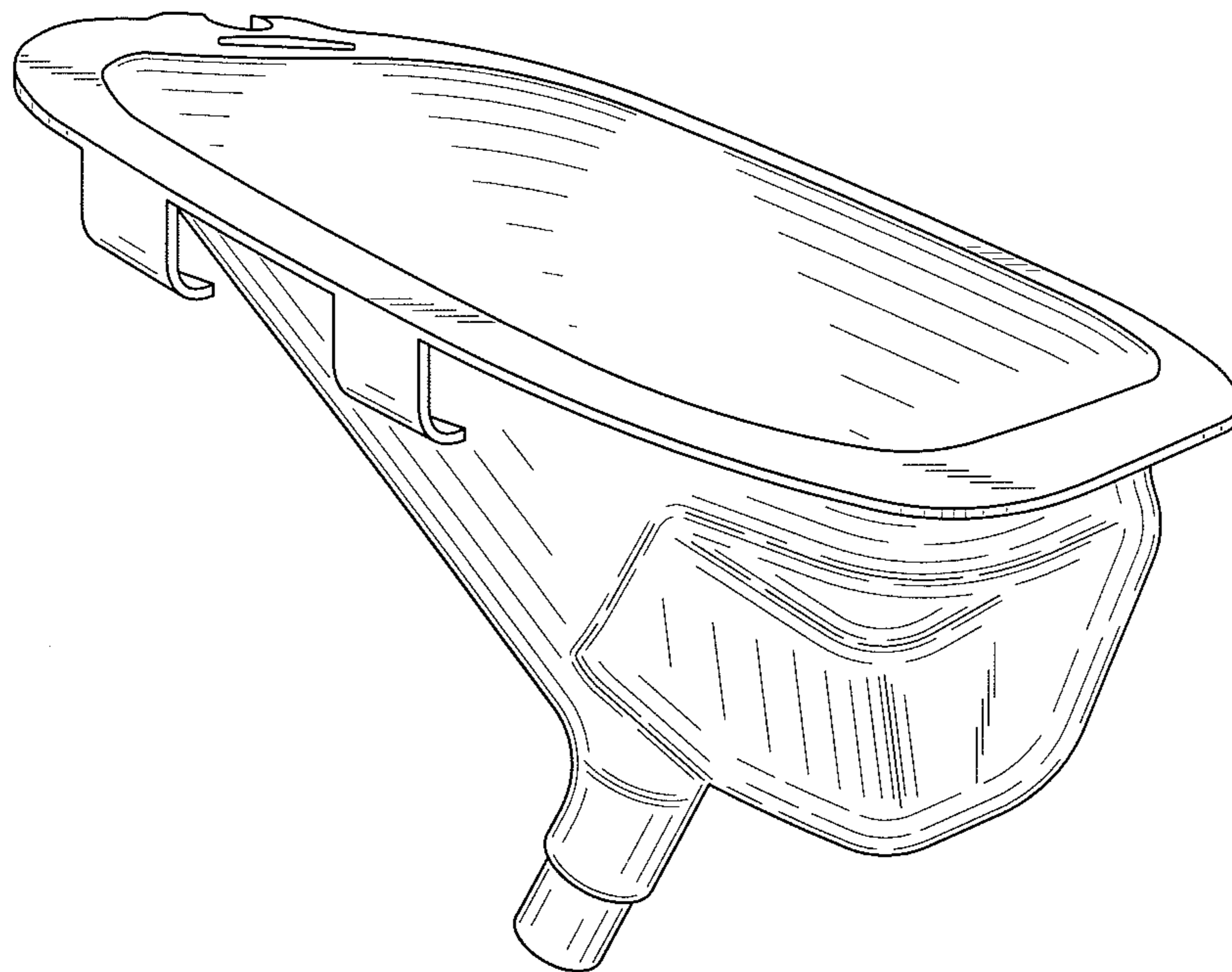


FIG. 1

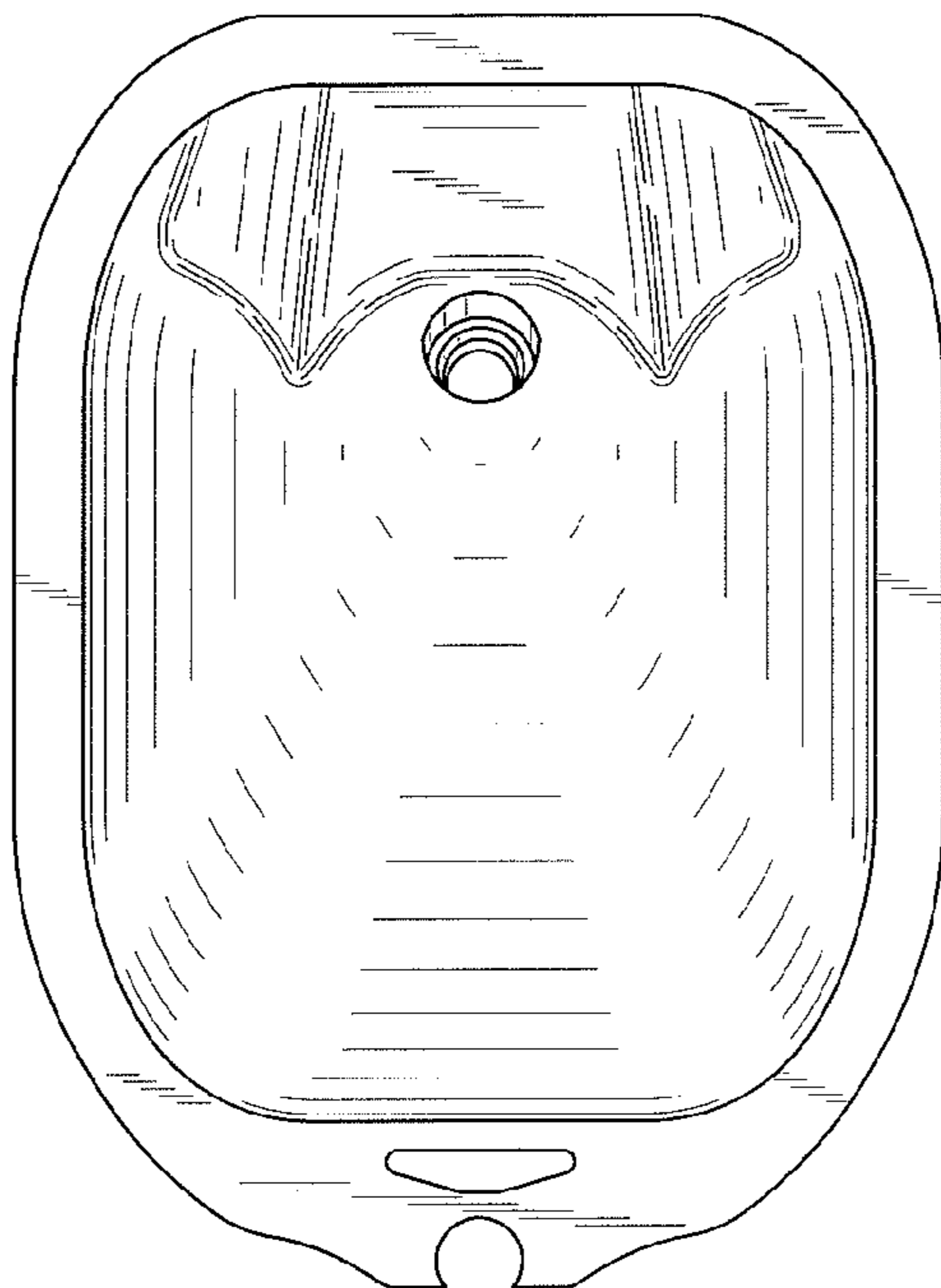


FIG. 2

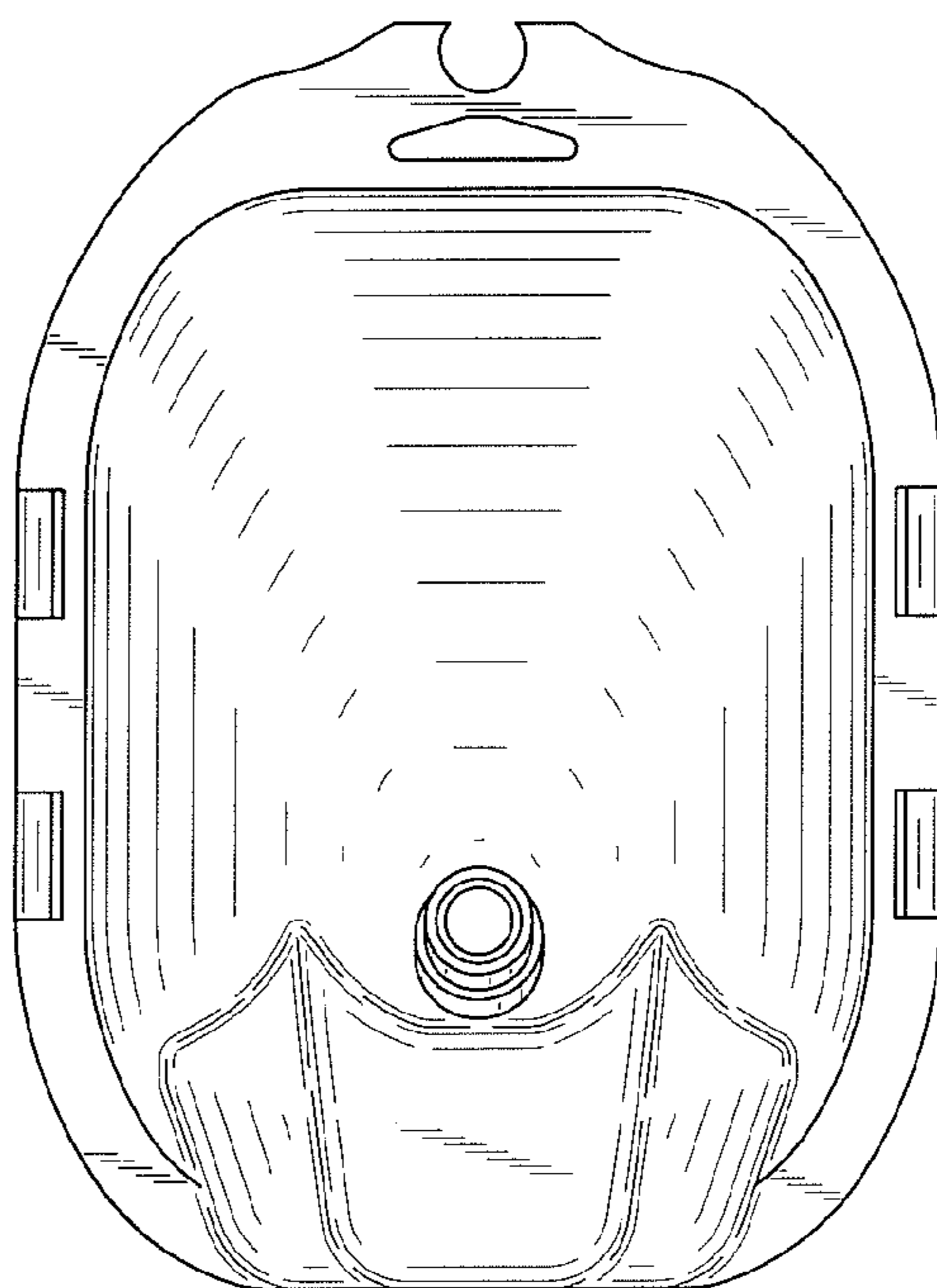


FIG. 3

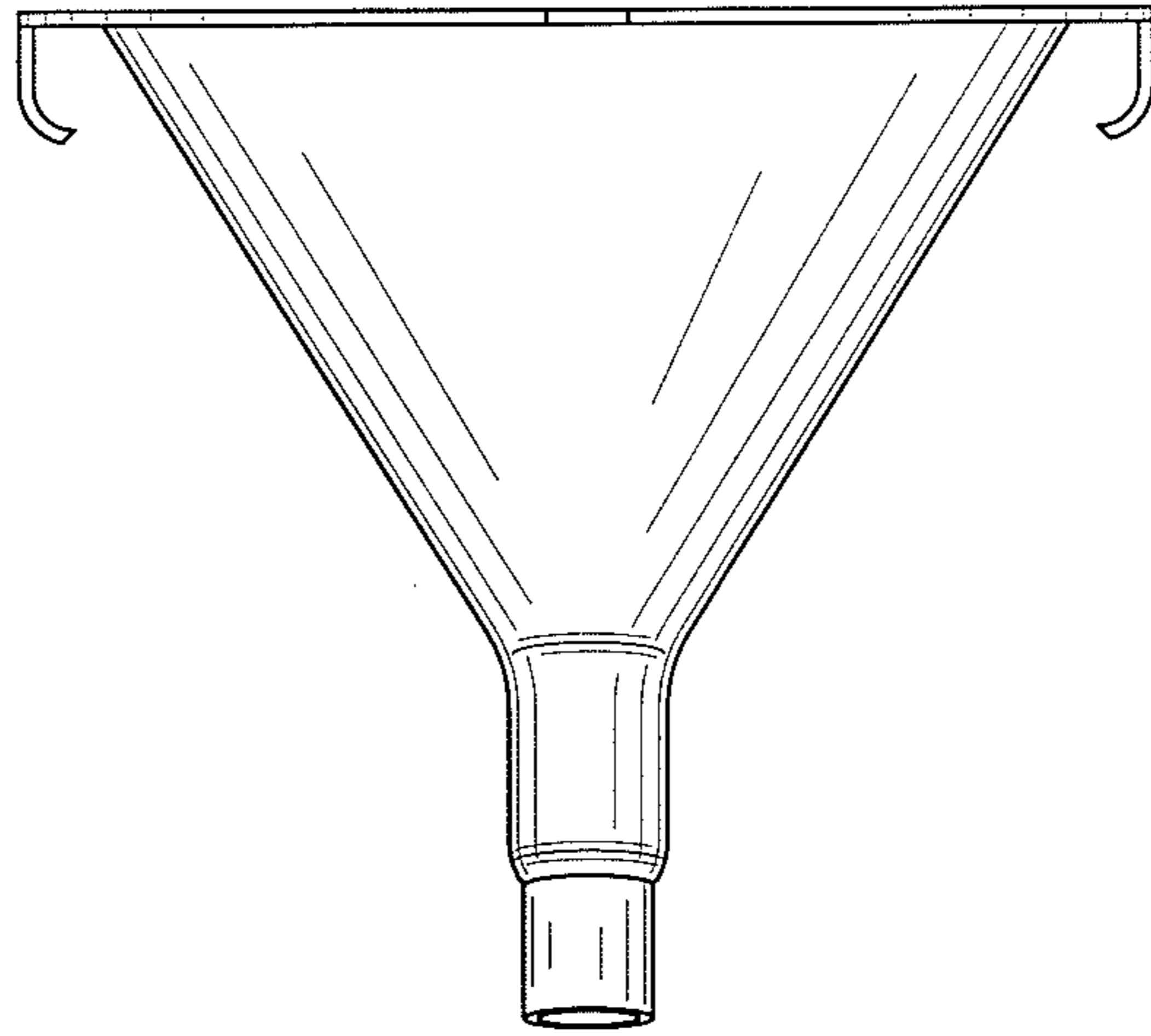


FIG. 4

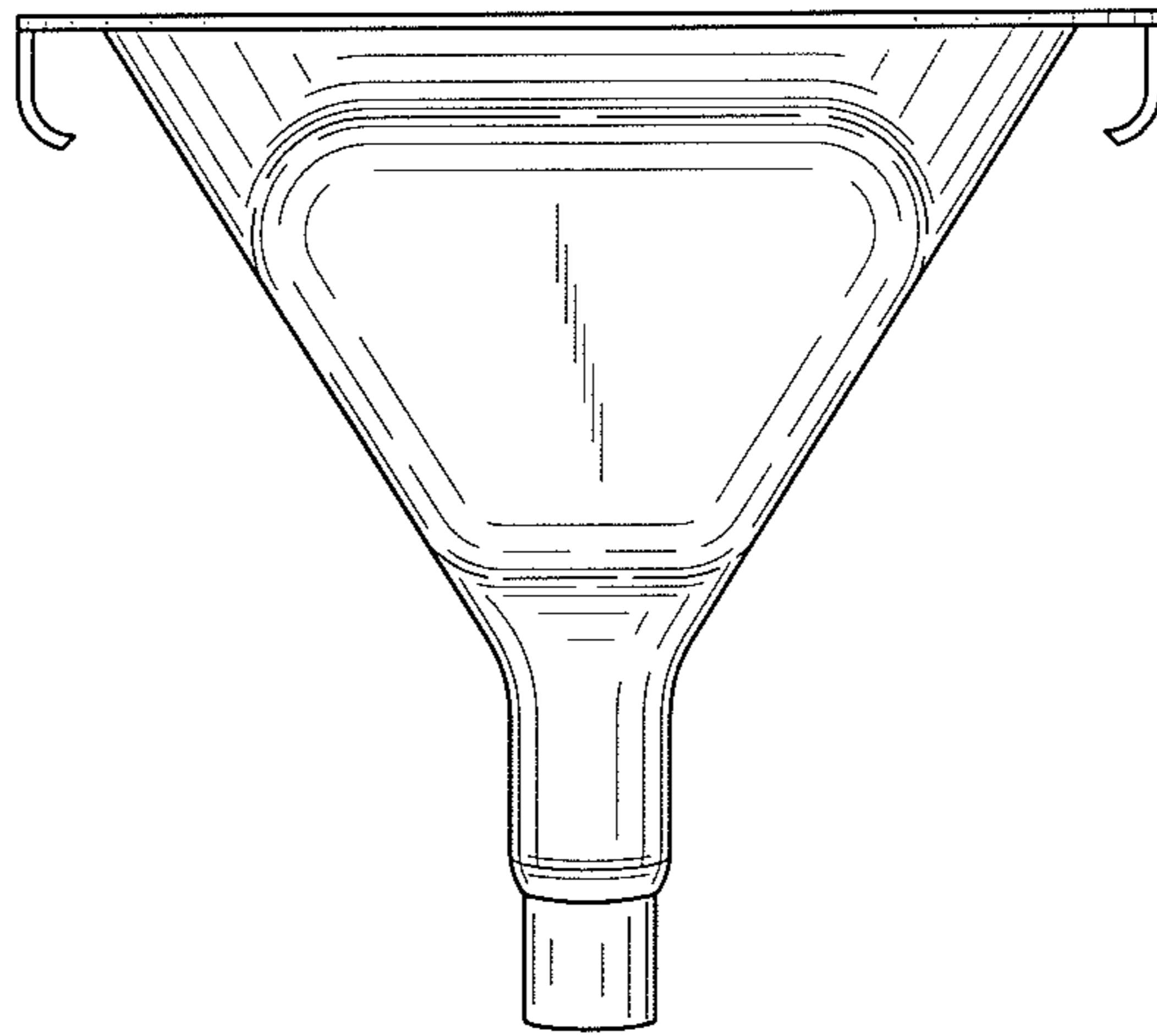


FIG. 5

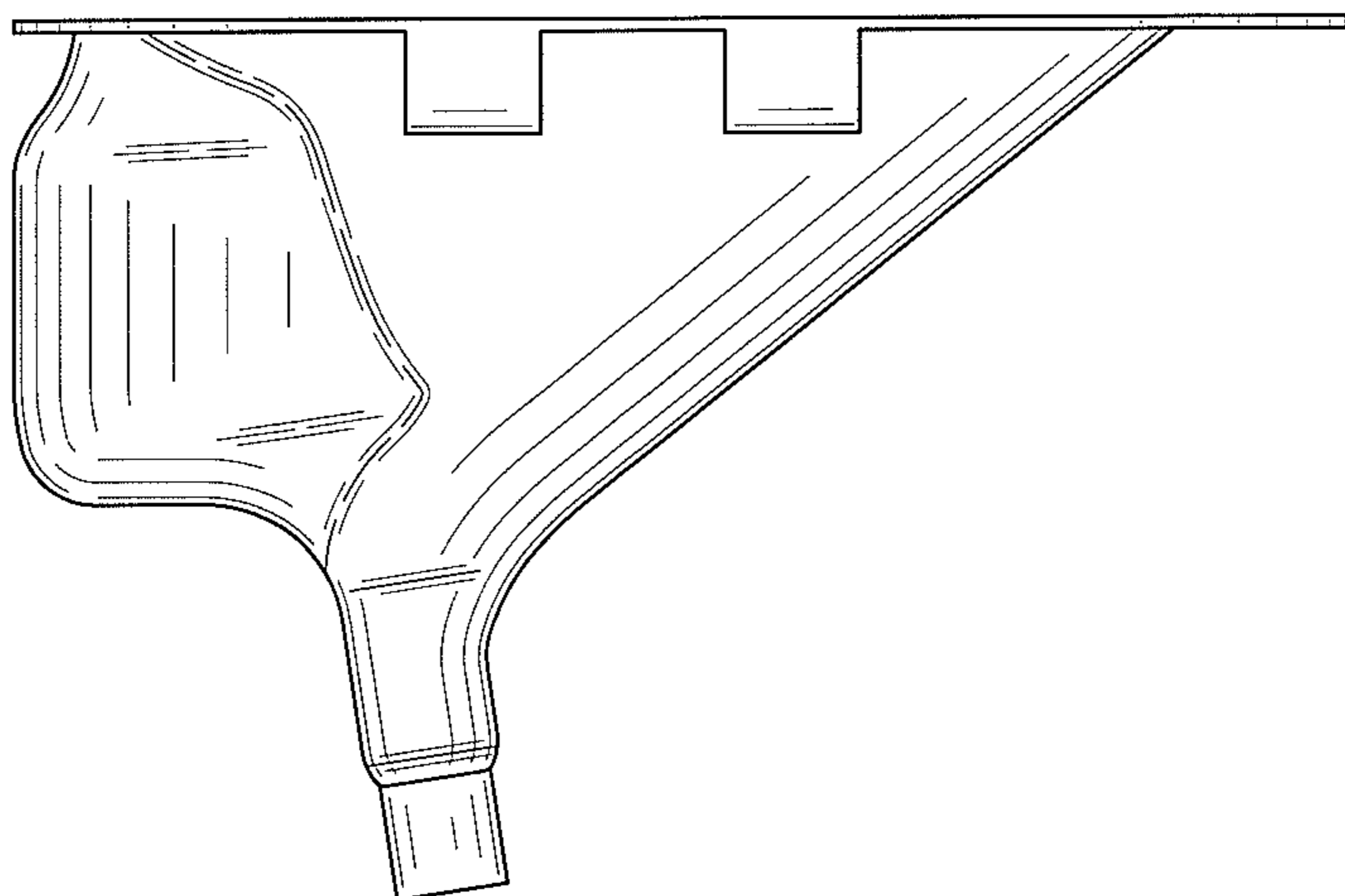


FIG. 6

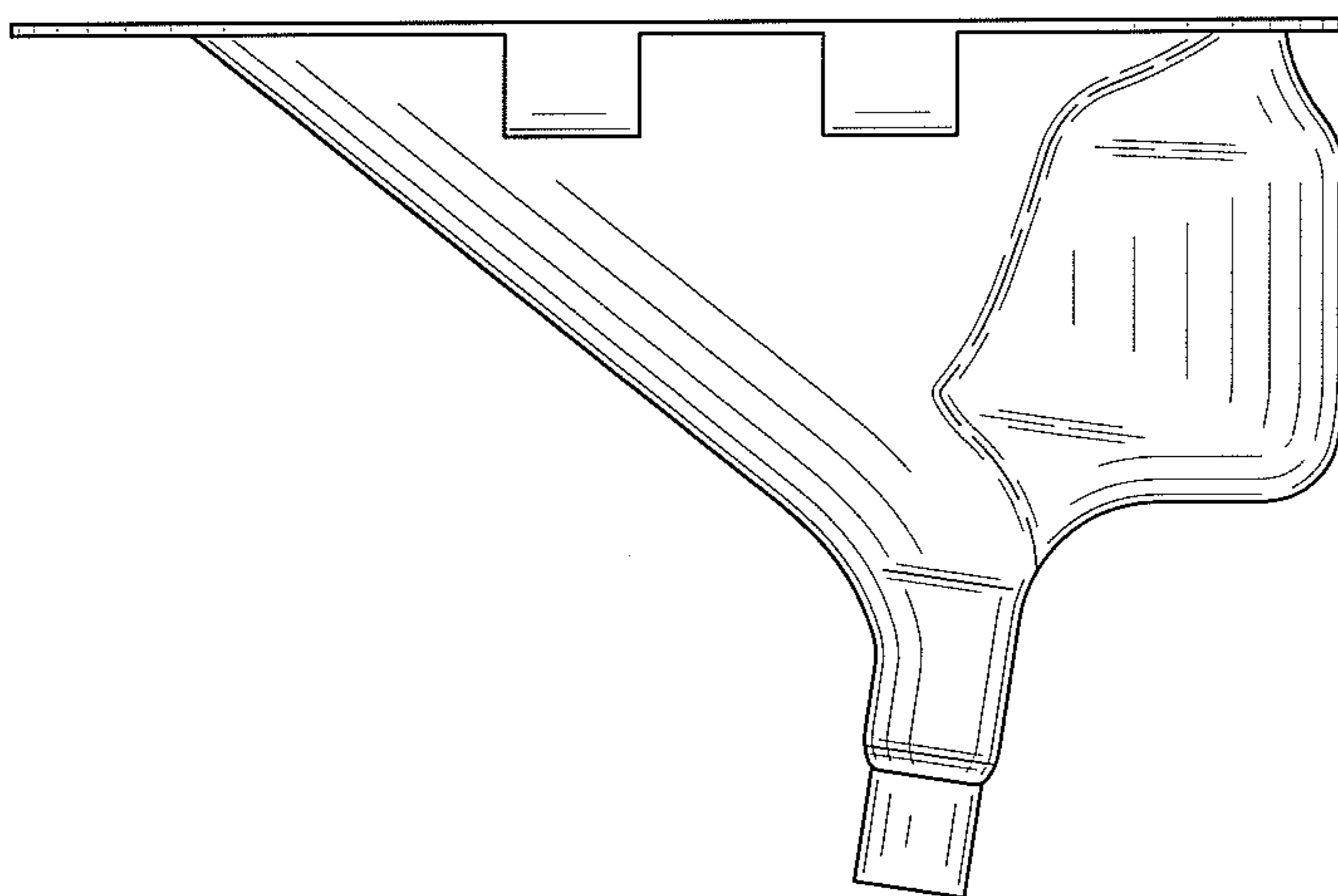


FIG. 7

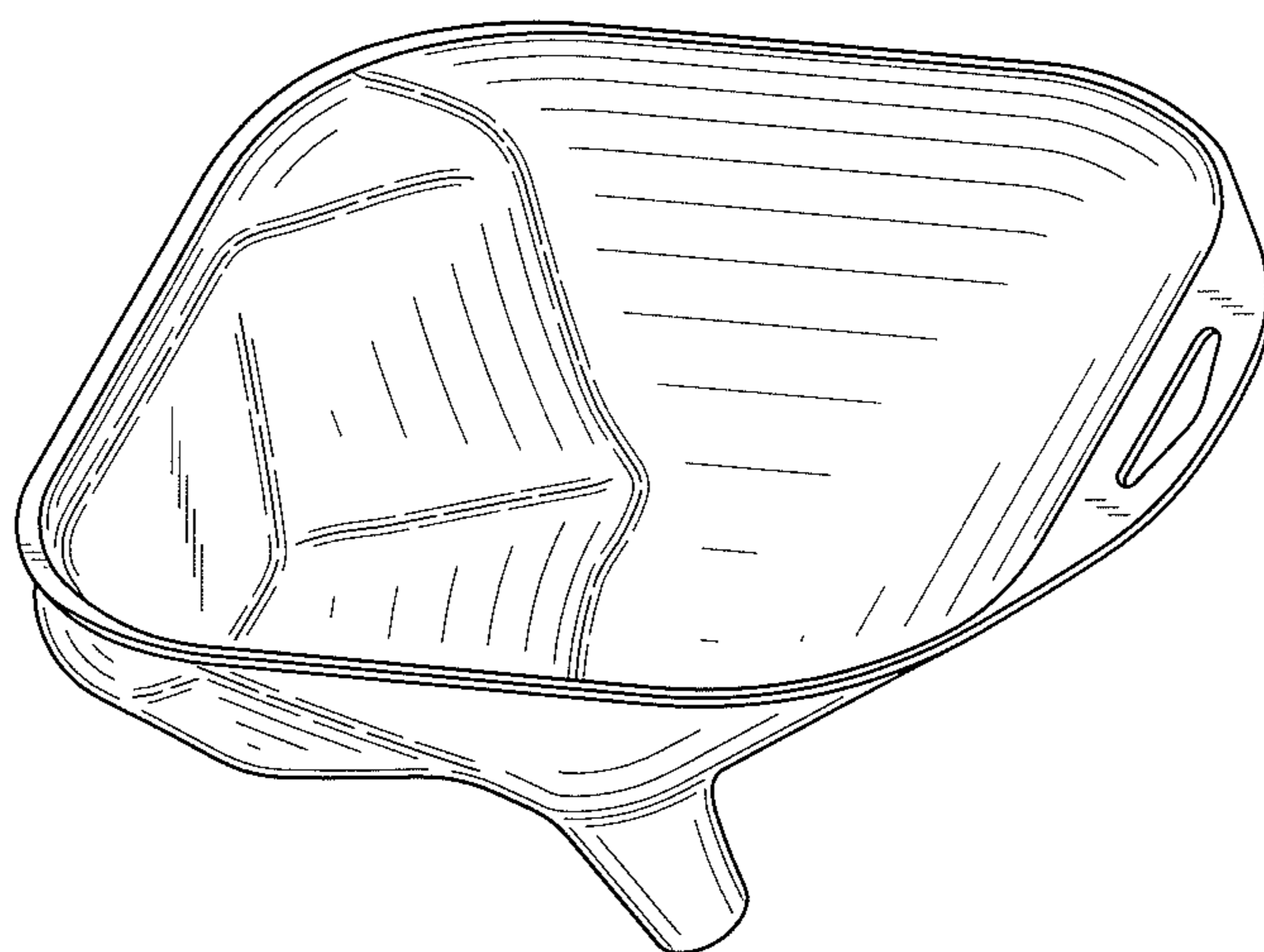


FIG. 8

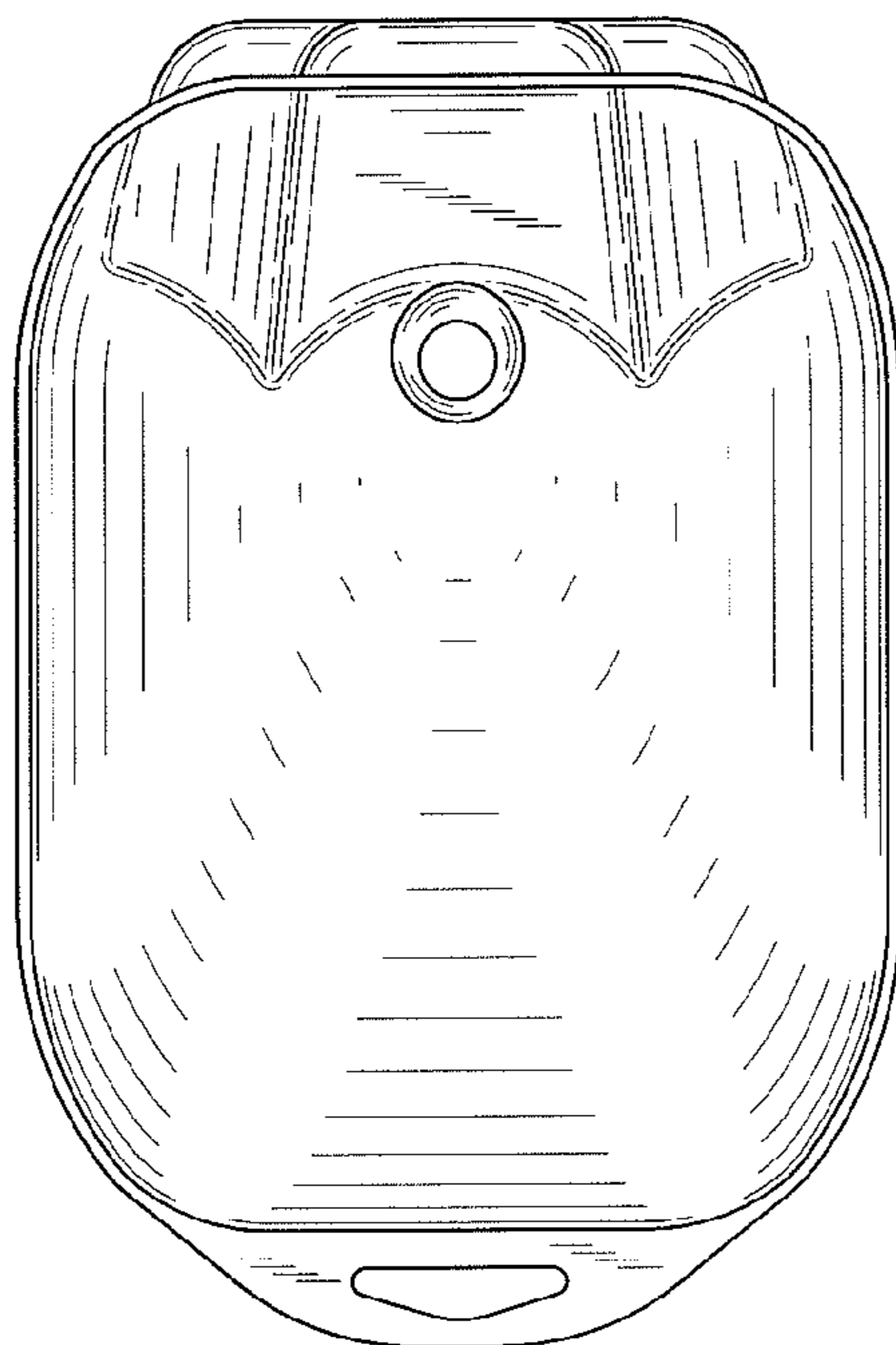


FIG. 9

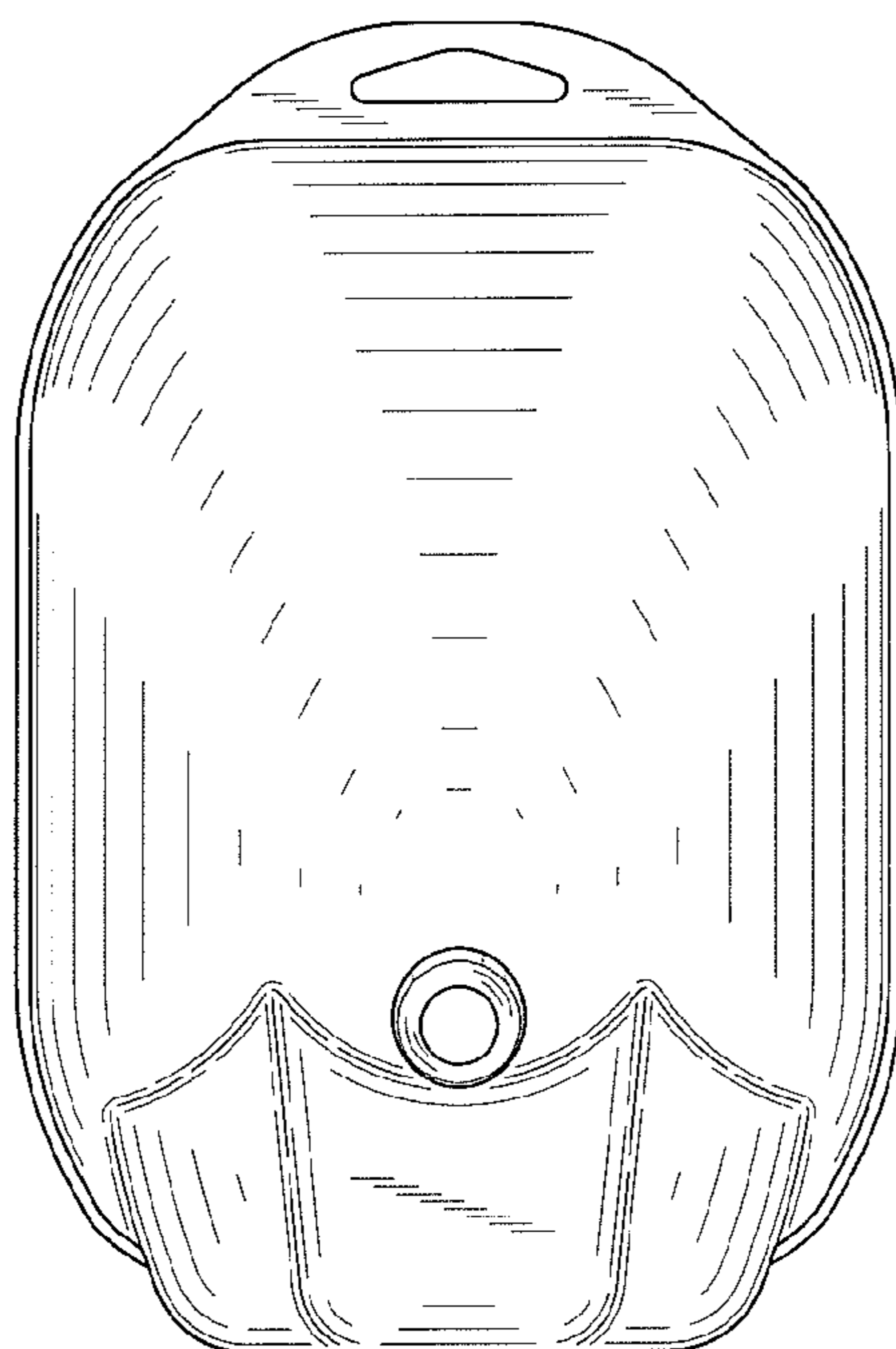


FIG. 10

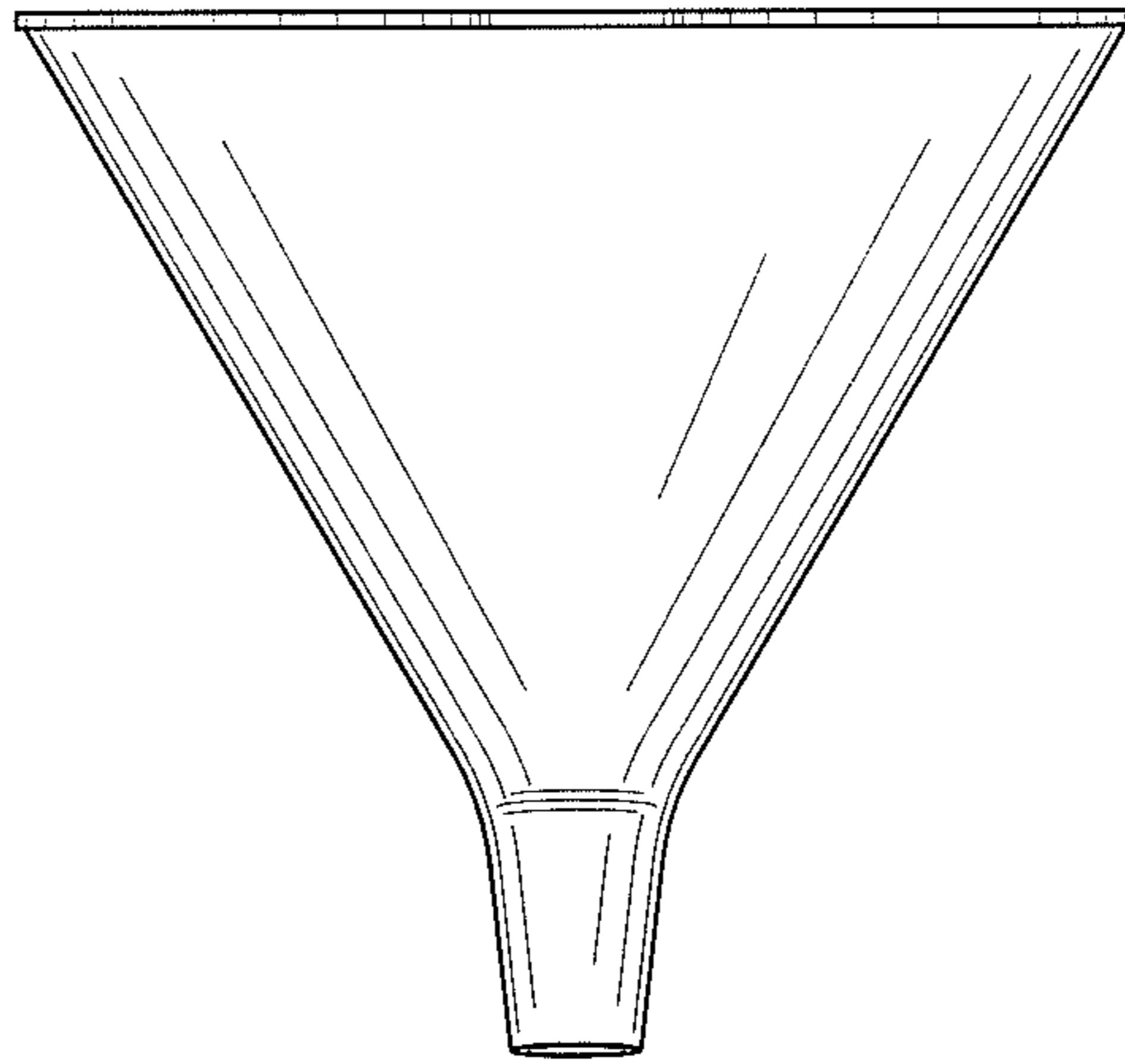


FIG. 11

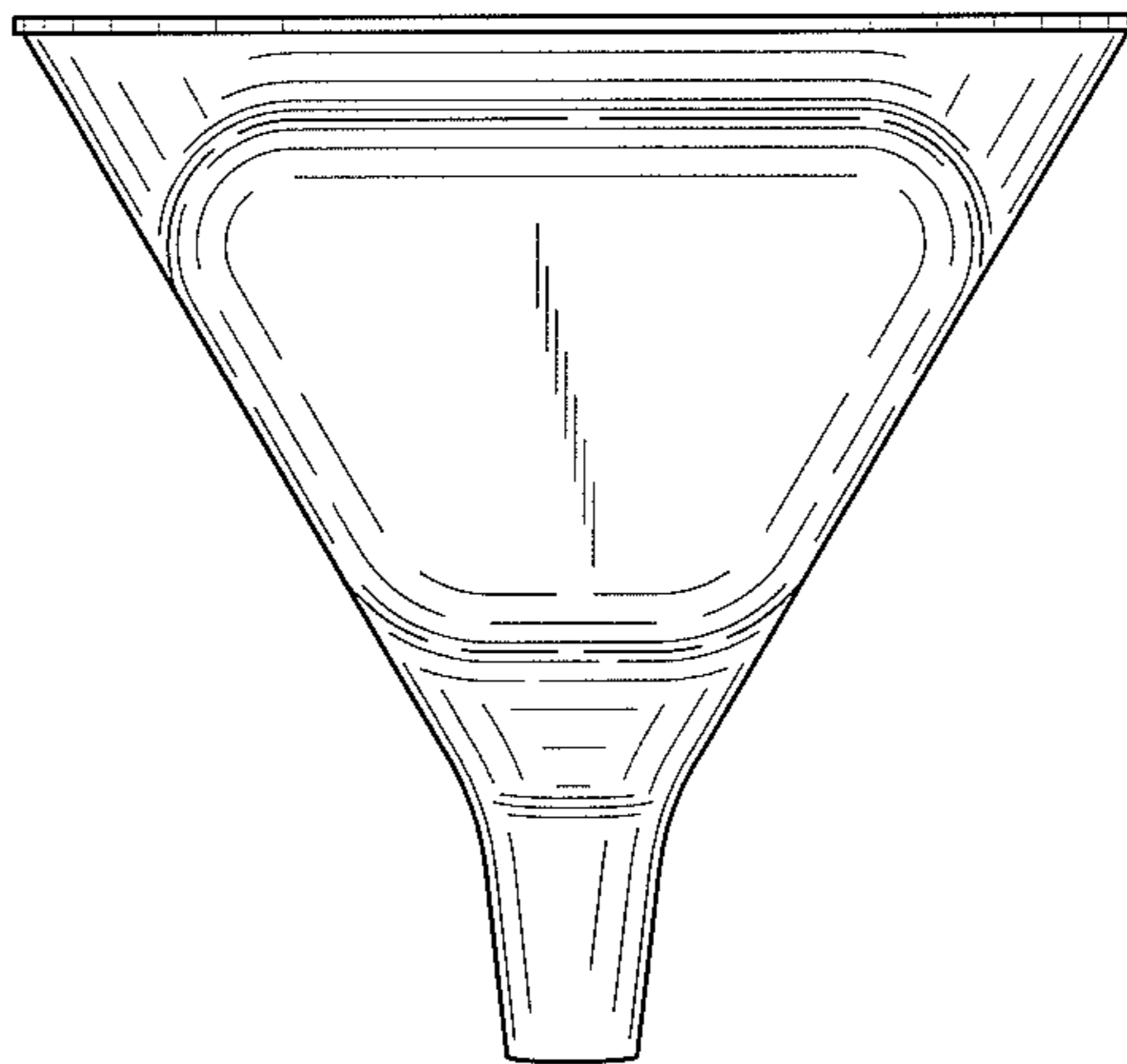


FIG. 12

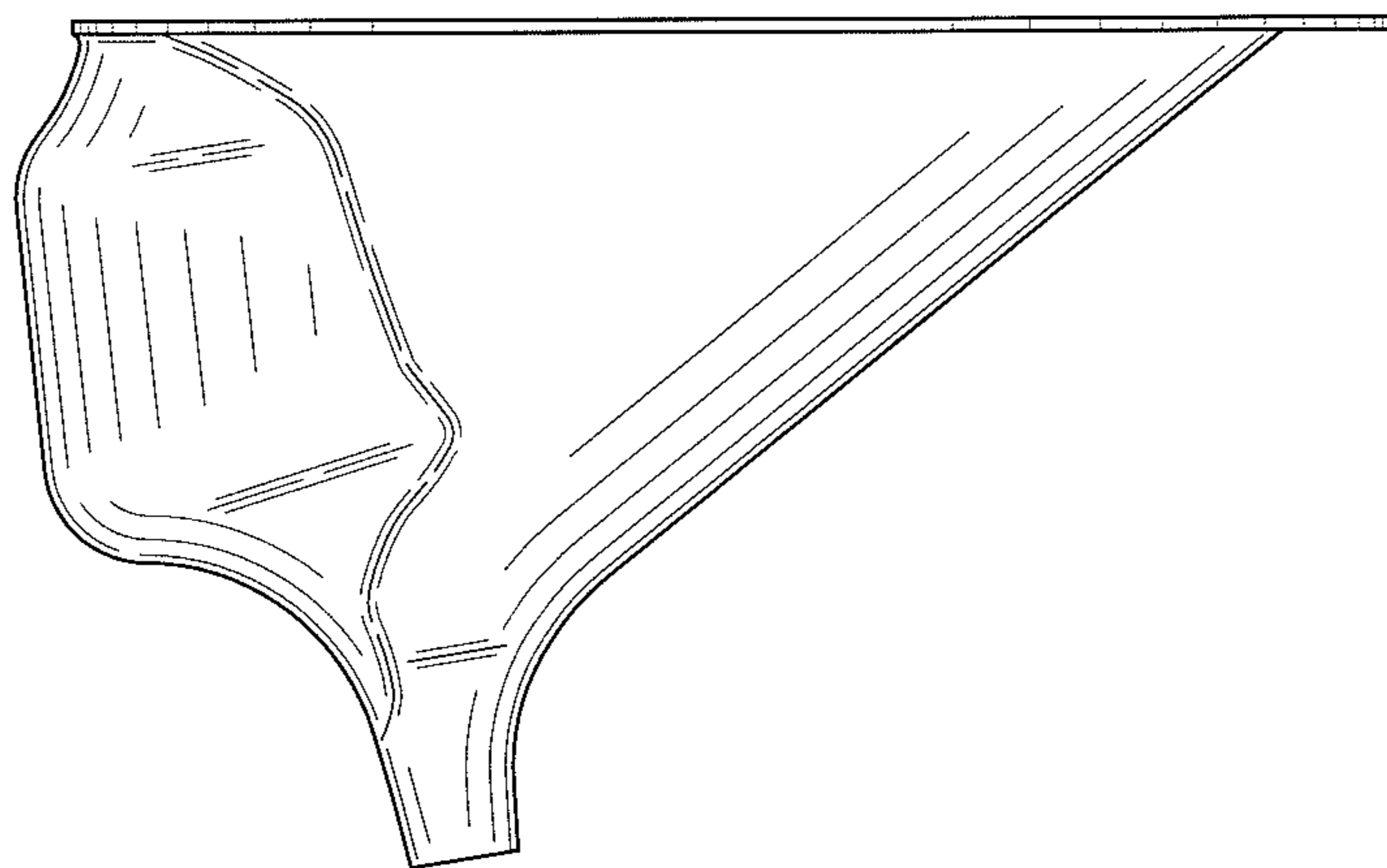


FIG. 13

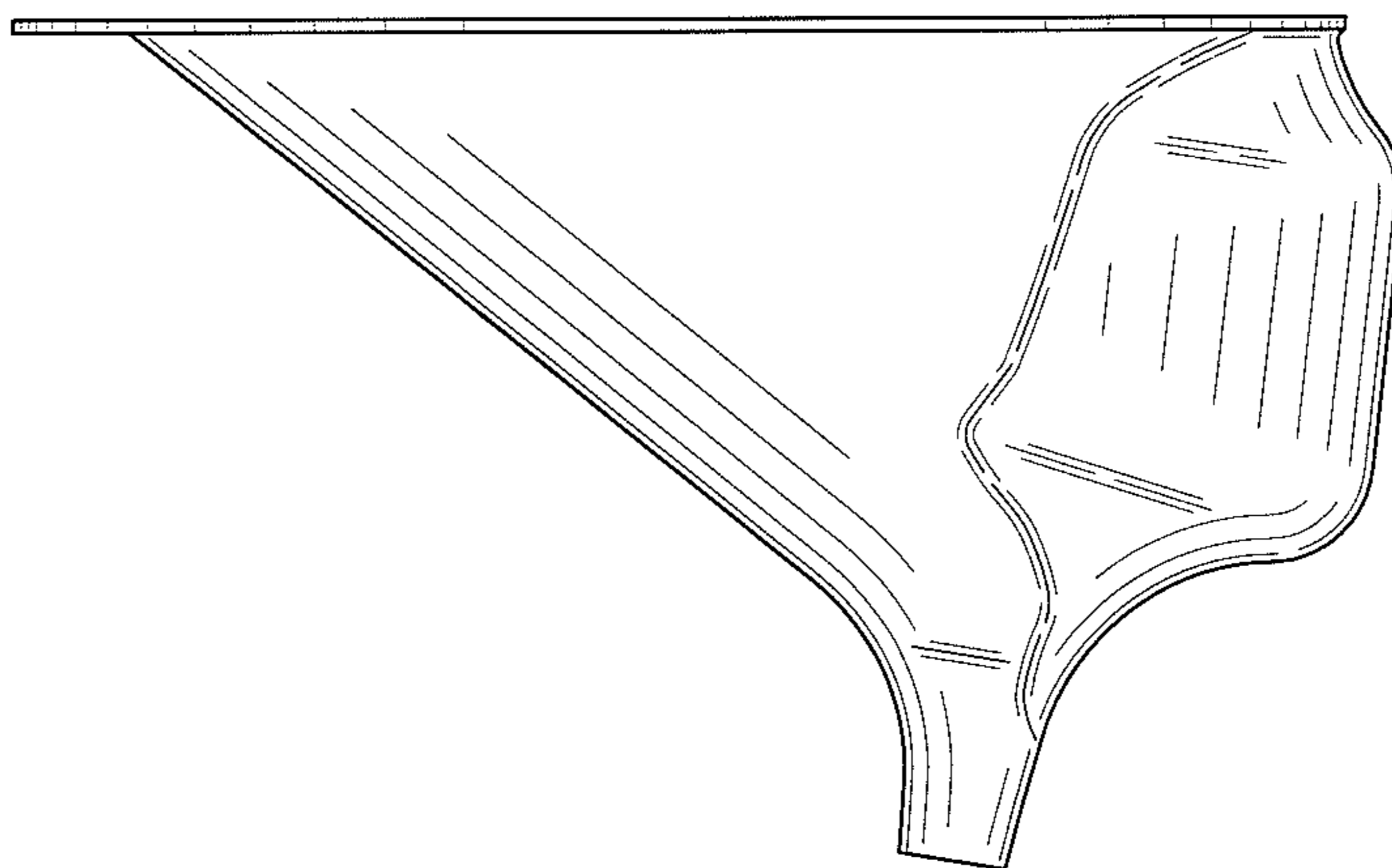


FIG. 14