

US00D690339S

(12) **United States Design Patent**  
**Sigmund**

(10) **Patent No.:** **US D690,339 S**

(45) **Date of Patent:** **\*\* Sep. 24, 2013**

(54) **GEAR BOX**

(56) **References Cited**

(71) Applicant: **Sew-Eurodrive GmbH & Co. KG,**  
Bruchsal (DE)

(72) Inventor: **Andreas Sigmund,** Bruchsal (DE)

(73) Assignee: **SEW-EURODRIVE GmbH & Co. KG,**  
Bruchsal (DE)

(\*\*) Term: **14 Years**

(21) Appl. No.: **29/436,751**

(22) Filed: **Nov. 8, 2012**

(30) **Foreign Application Priority Data**

May 9, 2012 (DE) ..... 40 2012 002 183

(51) **LOC (9) Cl.** ..... **15-99**

(52) **U.S. Cl.**  
USPC ..... **D15/148**

(58) **Field of Classification Search**  
USPC ..... D15/5, 148, 149, 199; 74/66 R,  
74/66 A, 395, 464, 489, 607; 280/5.5-5.524;  
427/249.19; 428/408; 474/82, 144, 146;  
475/83, 331-335, 344, 345, 901; 476/42

See application file for complete search history.

U.S. PATENT DOCUMENTS

D356,094	S	*	3/1995	Curtis	.....	D15/5
D368,919	S	*	4/1996	Lannoch	.....	D15/148
D416,922	S	*	11/1999	Lannoch	.....	D15/148
D589,993	S	*	4/2009	Cheng et al.	.....	D15/148
D620,848	S	*	8/2010	Haines	.....	D12/160
D673,595	S	*	1/2013	Cho et al.	.....	D15/148
D674,827	S	*	1/2013	Andersson	.....	D15/148
D676,884	S	*	2/2013	Zhang et al.	.....	D15/148
D677,293	S	*	3/2013	Andersson	.....	D15/148

\* cited by examiner

*Primary Examiner* — Patricia Palasik

(74) *Attorney, Agent, or Firm* — Finnegan, Henderson, Farabow, Garrett & Dunner, LLP

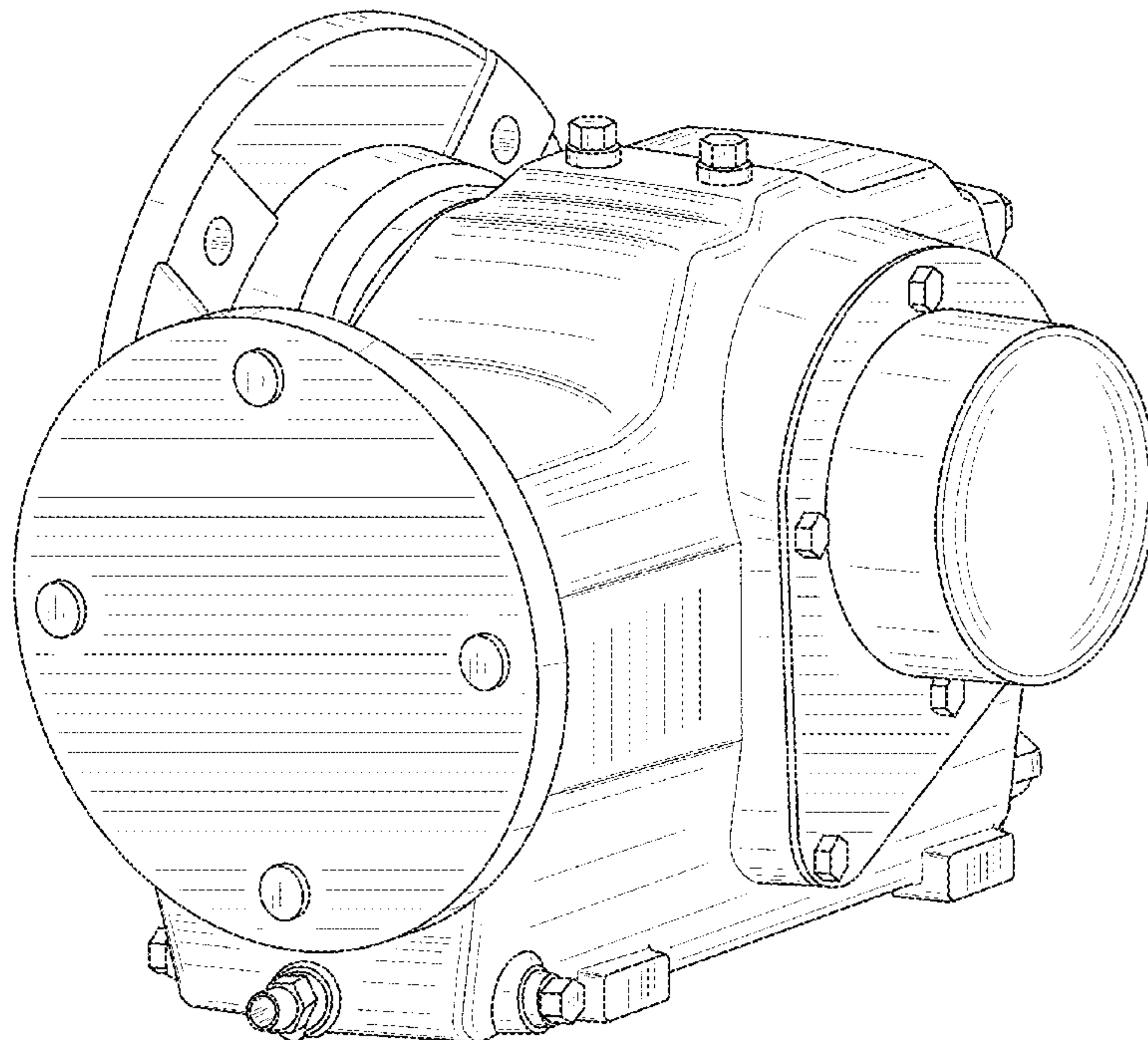
(57) **CLAIM**

The ornamental design for a gear box, as shown and described.

**DESCRIPTION**

FIG. 1 is a front right perspective view of a gear box showing a first embodiment of my new design; FIG. 2 is a left side view thereof; FIG. 3 is a right side view thereof; FIG. 4 is a front view thereof; FIG. 5 is a rear view thereof; FIG. 6 is a top plan view thereof; and, FIG. 7 is a bottom view thereof.

**1 Claim, 7 Drawing Sheets**



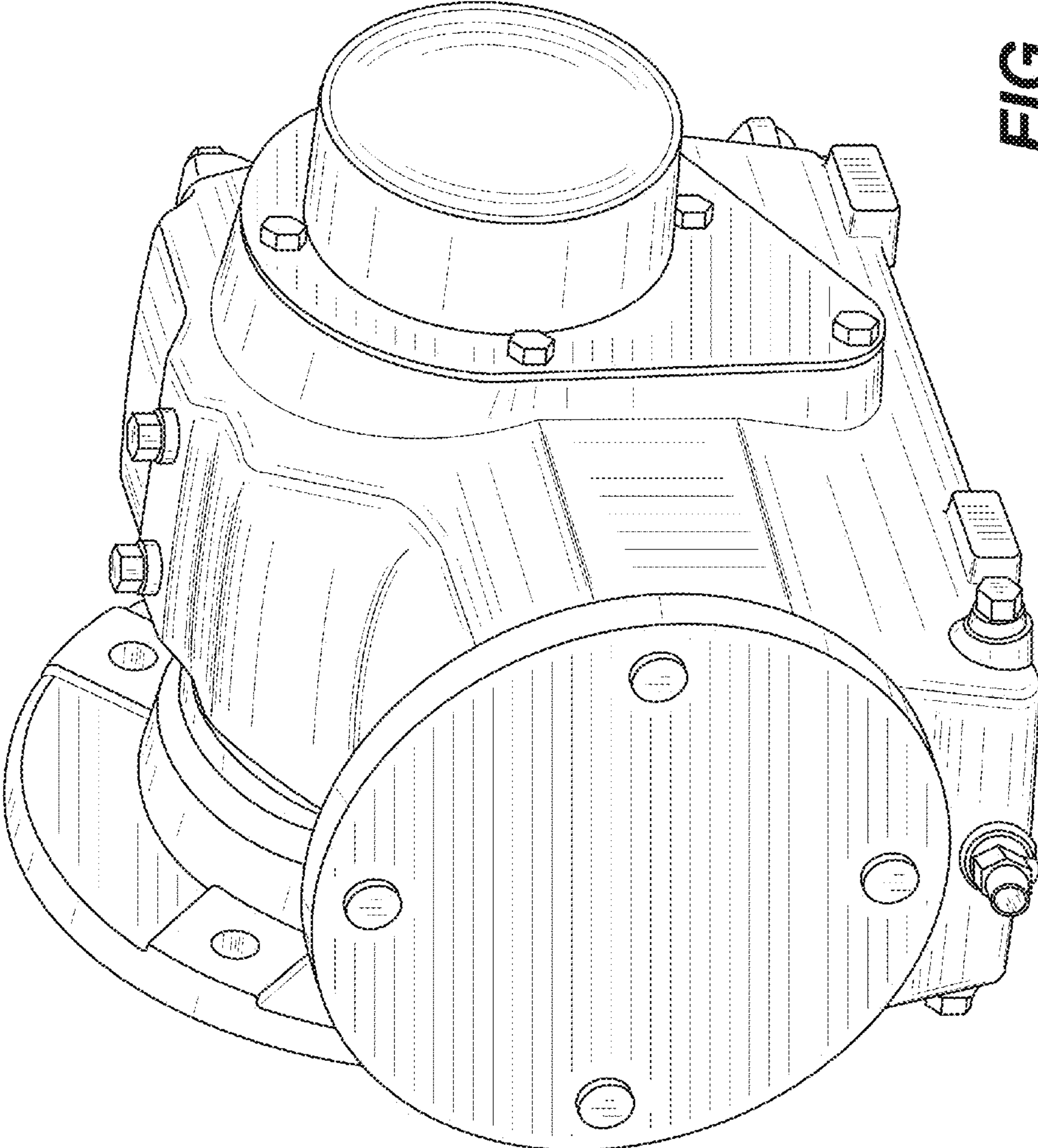


FIG. 1

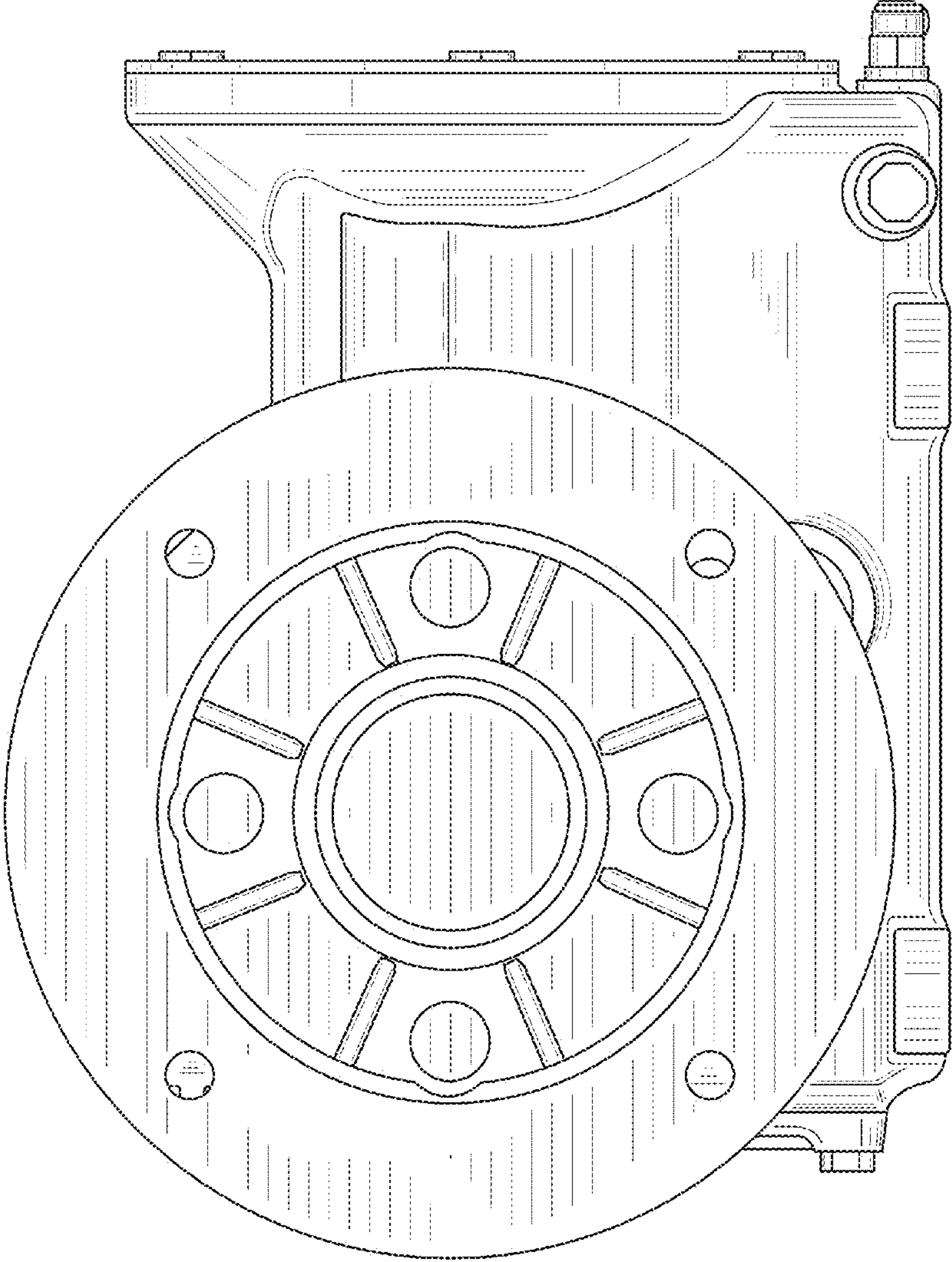


FIG. 2



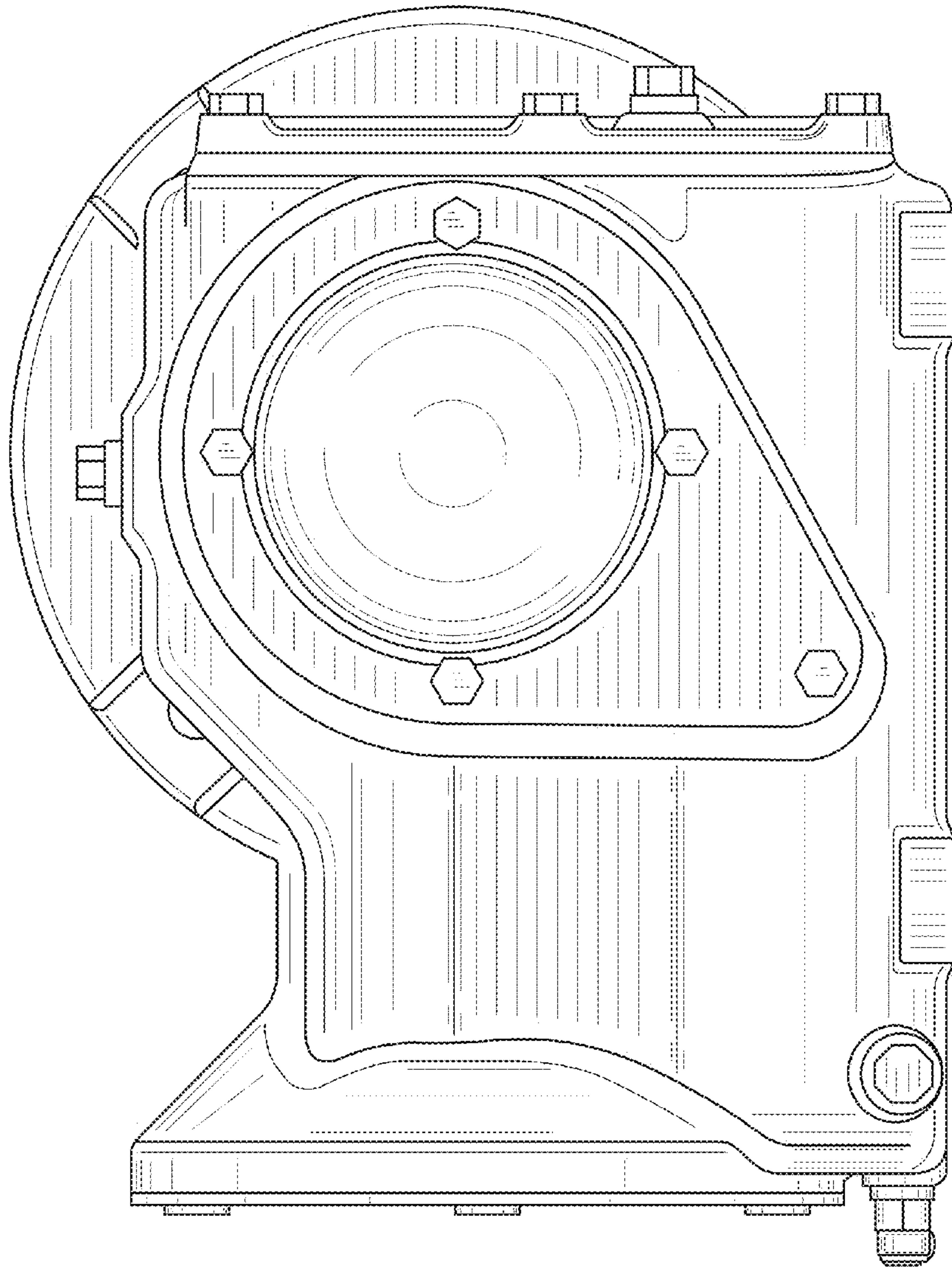


FIG. 3

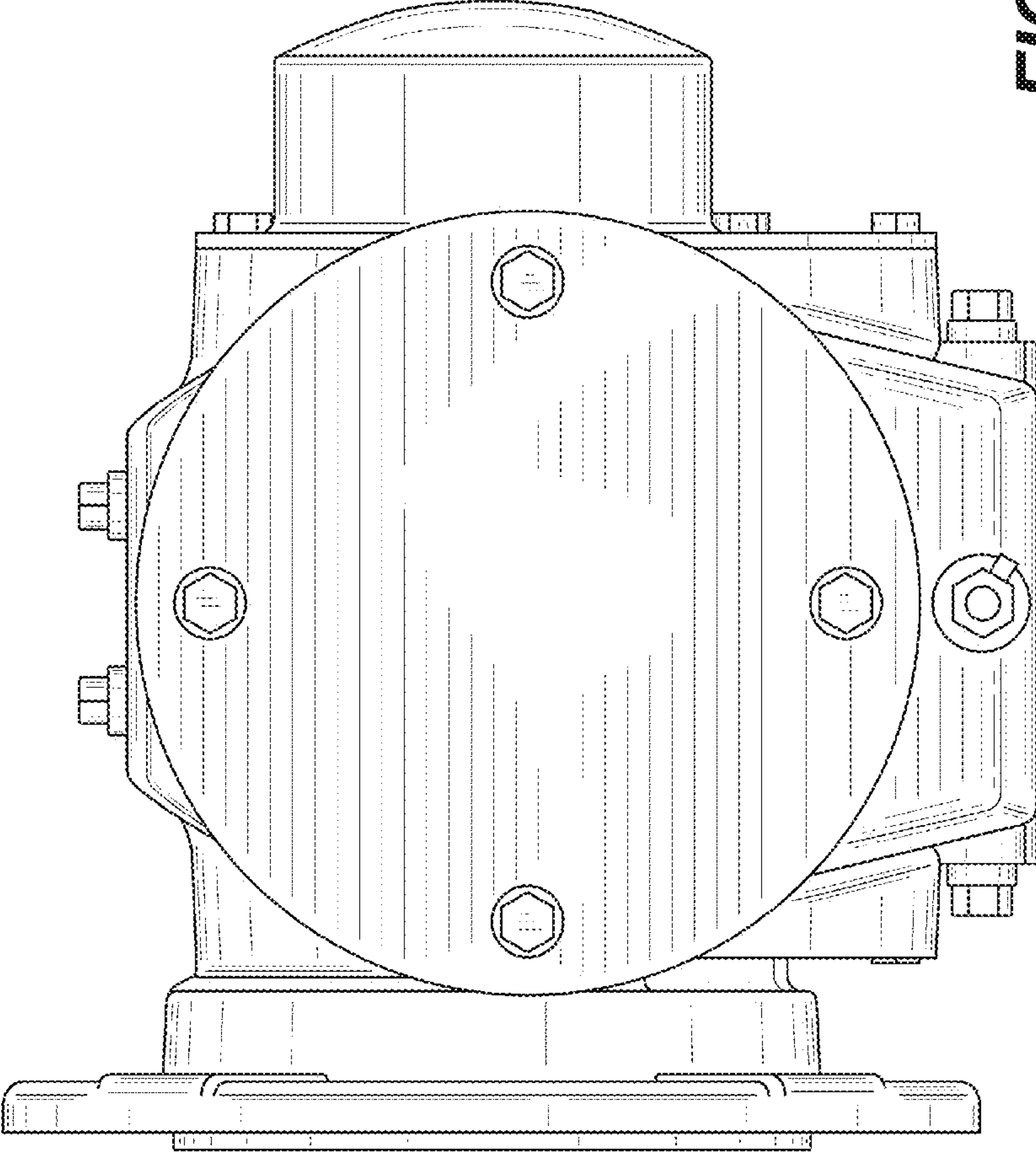


FIG. 4

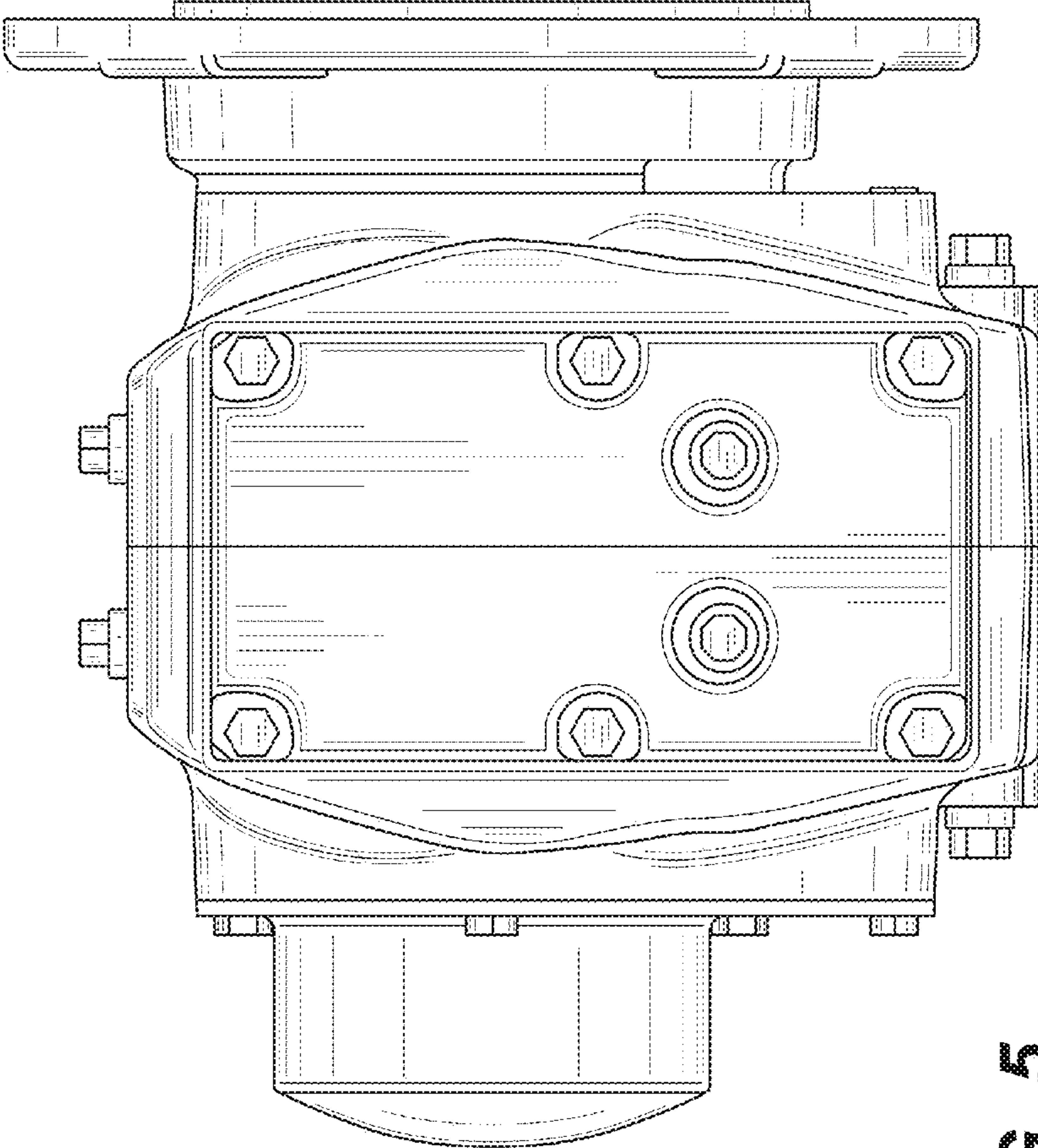


FIG. 5

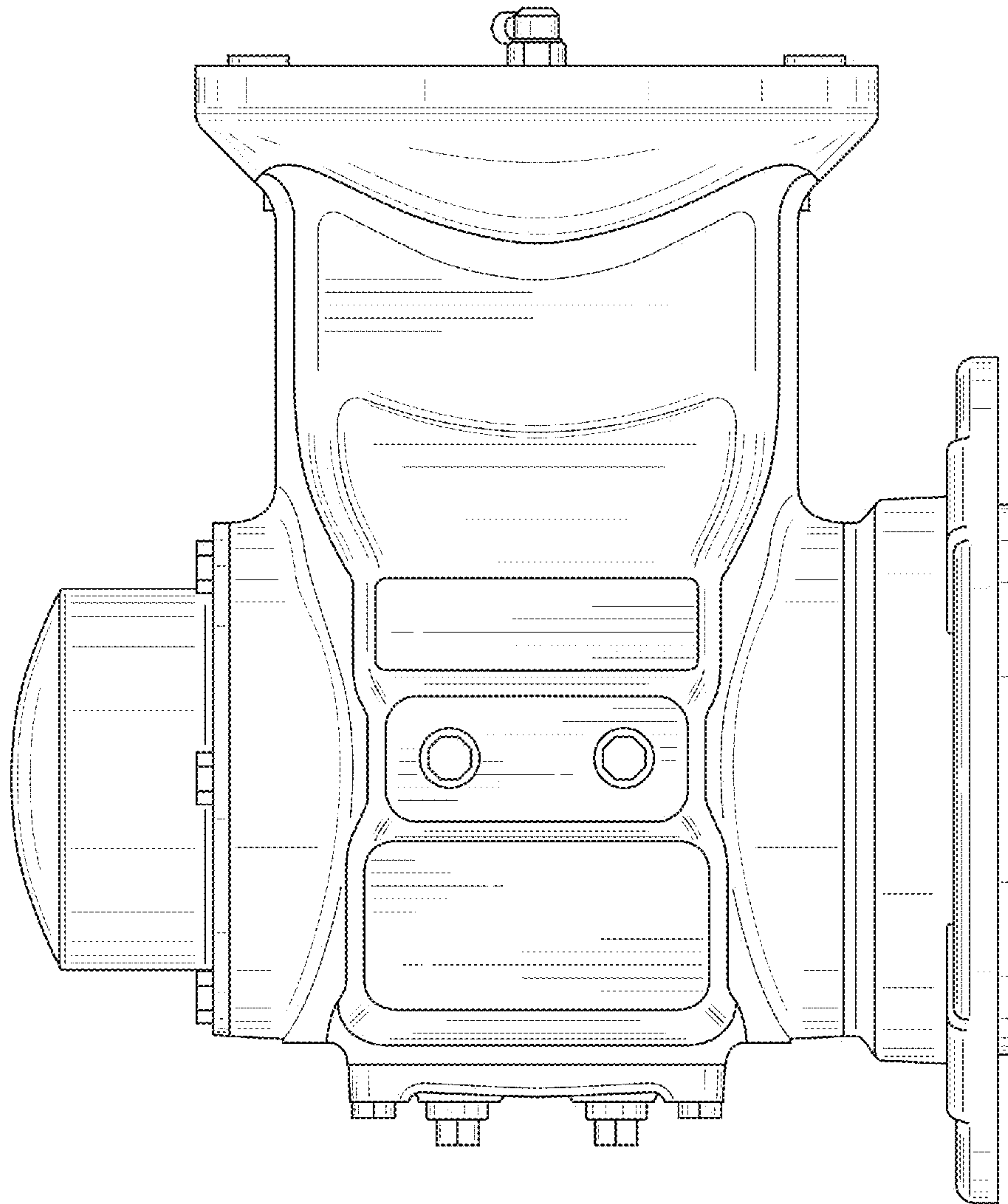


FIG. 6

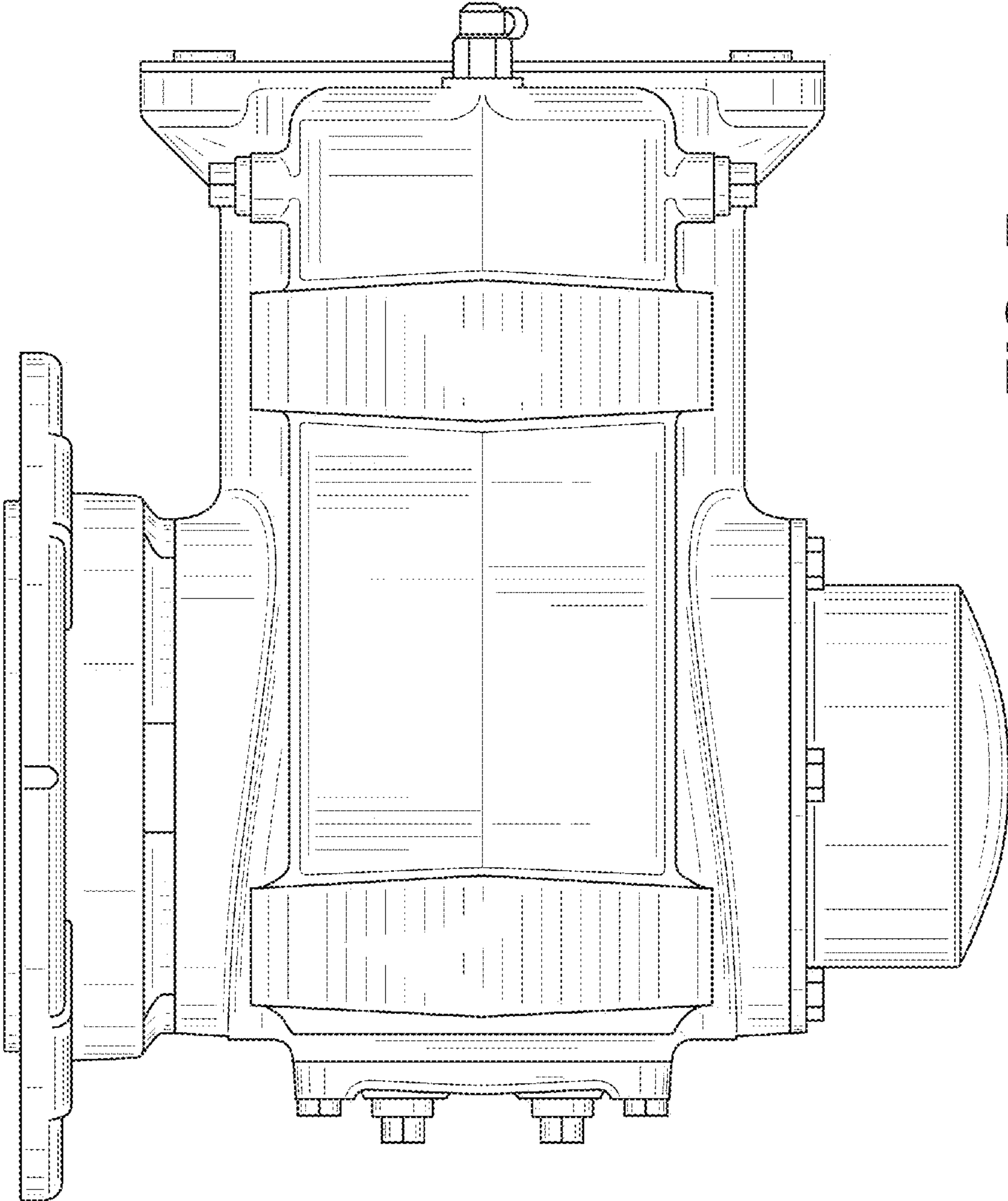


FIG. 7