



US00D690337S

(12) **United States Design Patent**  
**Edwards et al.**

(10) **Patent No.:** **US D690,337 S**

(45) **Date of Patent:** **\*\* Sep. 24, 2013**

(54) **ELLIPTICAL FILLING TUBE**

(75) Inventors: **Eduard Edwards**, Arlington, TX (US);  
**Joseph Paul Sagel**, Plano, TX (US)

(73) Assignee: **Frito-Lay North America, Inc.**, Plano,  
TX (US)

(\*\*) Term: **14 Years**

(21) Appl. No.: **29/410,356**

(22) Filed: **Jan. 6, 2012**

(51) **LOC (9) Cl.** ..... **15-99**

(52) **U.S. Cl.**

USPC ..... **D15/145; D7/700**

(58) **Field of Classification Search**

USPC ..... D7/368, 700; D15/145, 146; 53/450,  
53/576, 457, 459, 474, 415, 413, 417, 469,  
53/138.3, 138.4, 135.1

See application file for complete search history.

(56) **References Cited**

**U.S. PATENT DOCUMENTS**

3,587,204 A \* 6/1971 George ..... 3/138.4  
3,732,662 A \* 5/1973 Paxton ..... 53/415  
6,745,547 B2 \* 6/2004 Bussey et al. .... 53/576  
D508,931 S \* 8/2005 Griggs et al. .... D15/145

D620,964 S \* 8/2010 Yuyama et al. .... D15/145  
D649,570 S \* 11/2011 Chen ..... D15/145  
2003/0131564 A1 \* 7/2003 Ailey et al. .... 53/413  
2006/0156696 A1 \* 7/2006 Bezek et al. .... 53/450

\* cited by examiner

*Primary Examiner* — Terry Wallace

(74) *Attorney, Agent, or Firm* — Bobby W. Braxton; Colin P.  
Cahoon; Carstens & Cahoon, LLP

(57) **CLAIM**

The ornamental design for an elliptical filling tube, as shown  
and described.

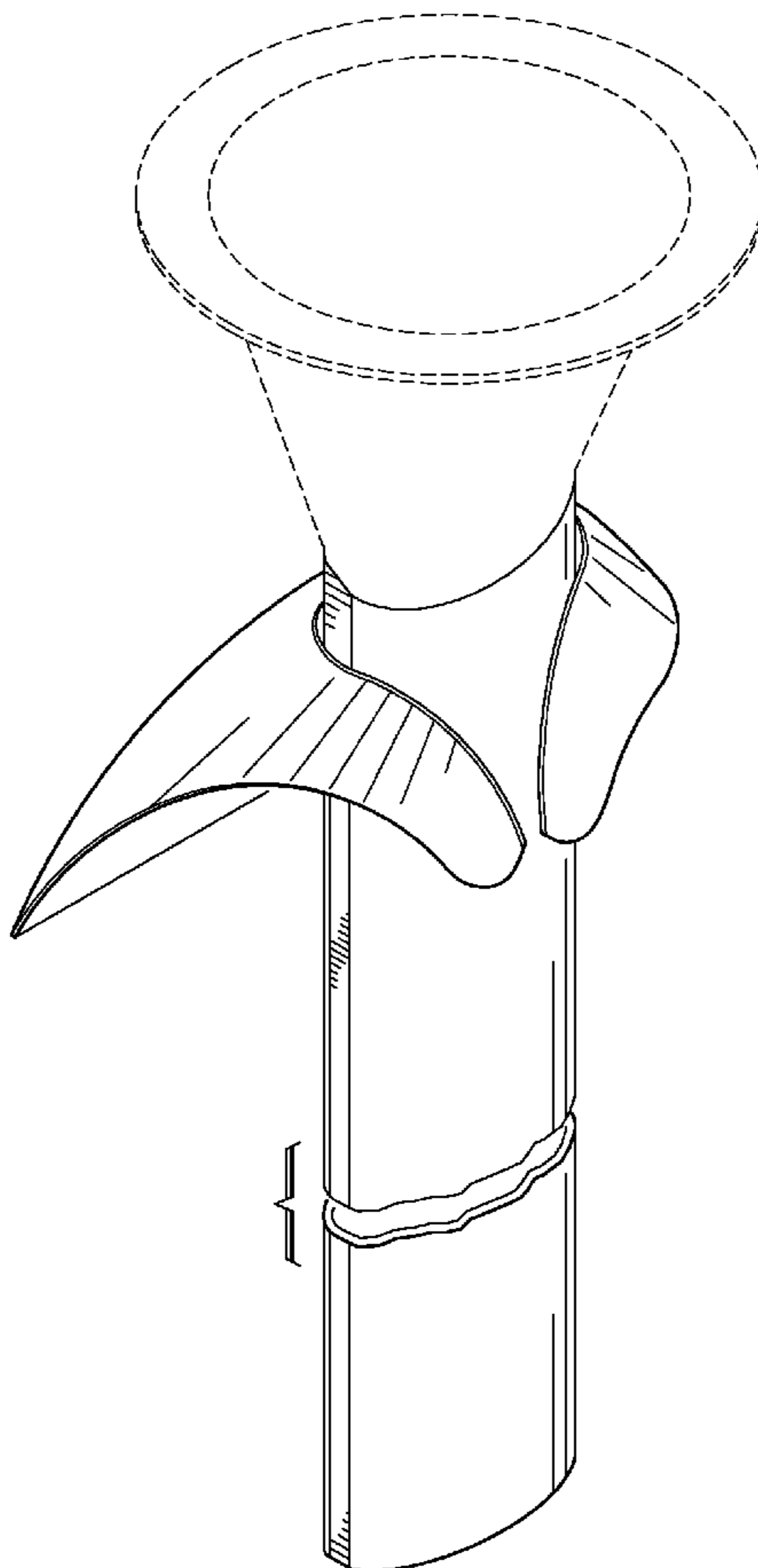
**DESCRIPTION**

FIG. 1 is a perspective view of the elliptical filling tube shown  
in one environment;

FIG. 2 is a side elevation view of the elliptical filling tube,  
with the opposite side elevation view being a mirror image;  
FIG. 3 is a front elevation view of the elliptical filling tube;  
FIG. 4 is a rear elevation view of the elliptical filling tube;  
FIG. 5 is a top plan view of the elliptical filling tube; and,  
FIG. 6 is a bottom plan view of the elliptical filling tube.

The broken line showing a filling funnel in FIGS. 1-6 is for  
illustrative purposes only and forms no part of the claimed  
design.

**1 Claim, 4 Drawing Sheets**



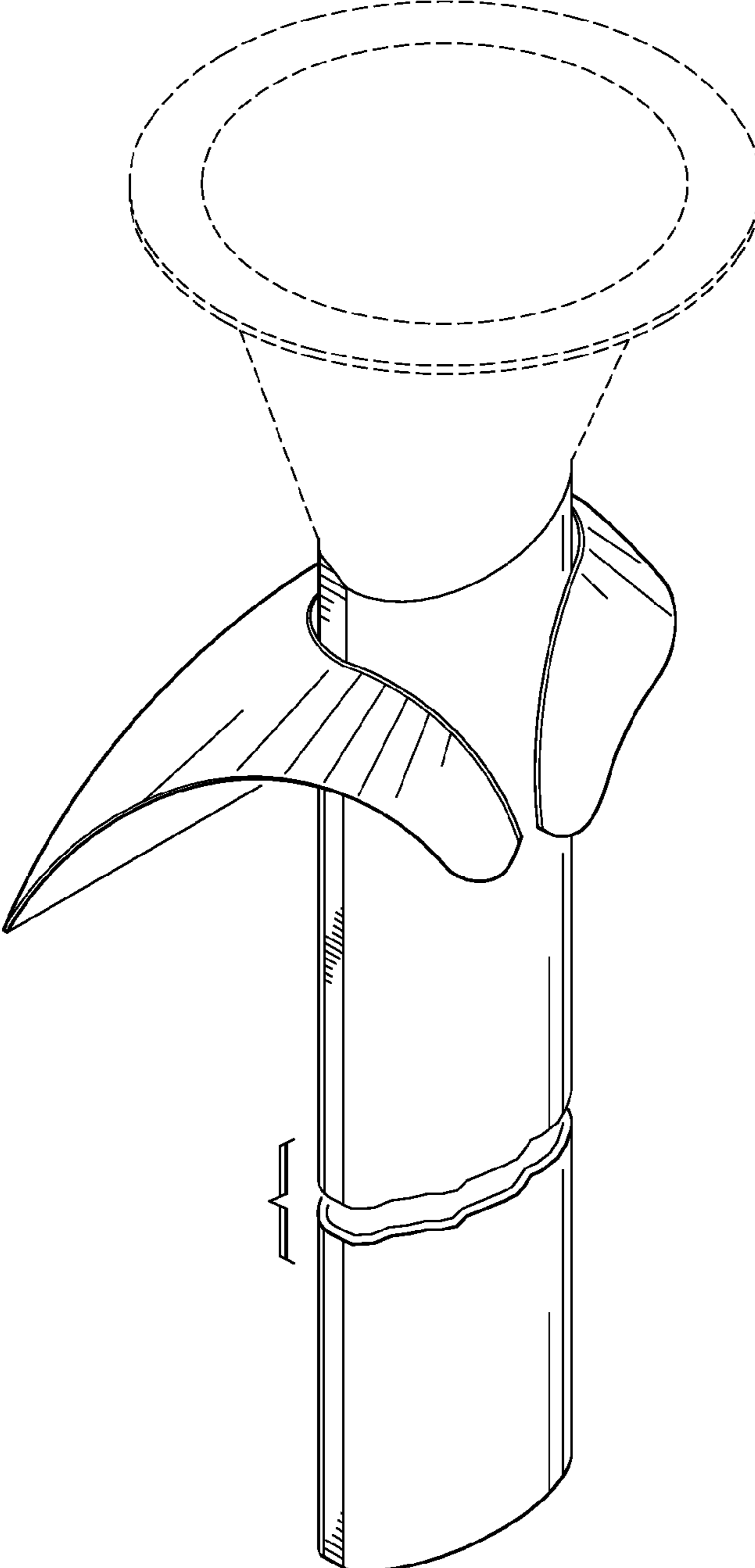


FIG. 1

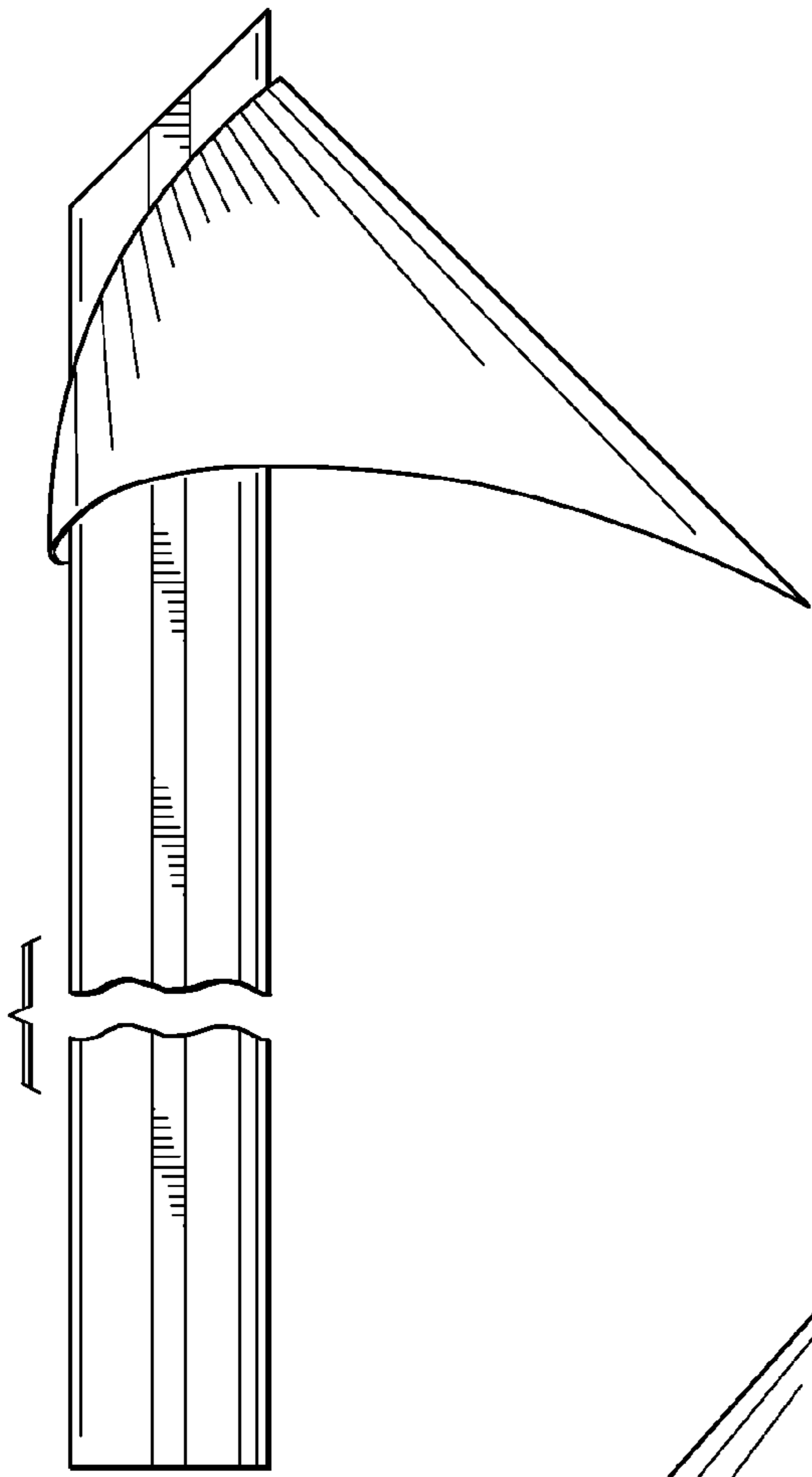


FIG. 2

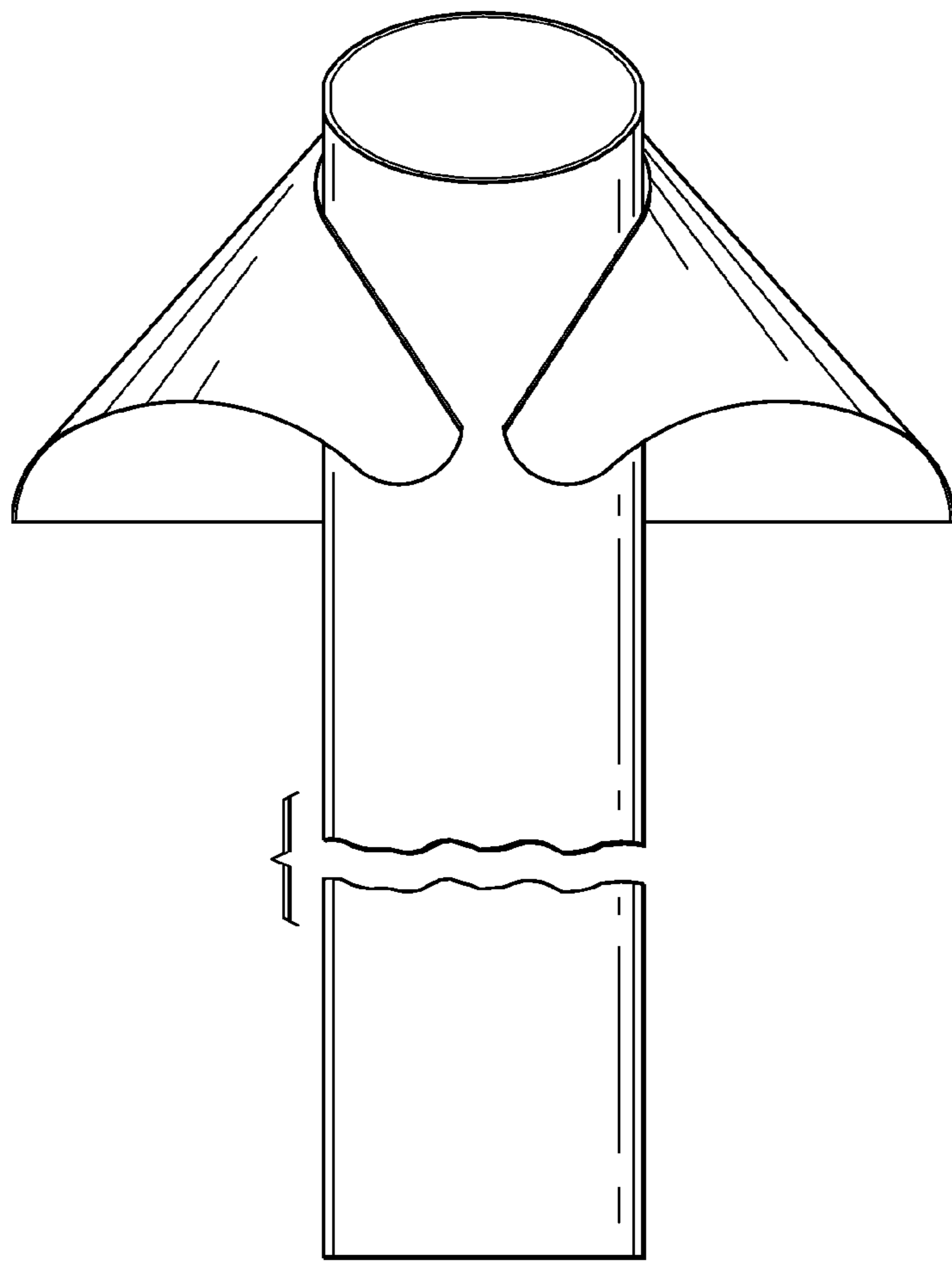


FIG. 3

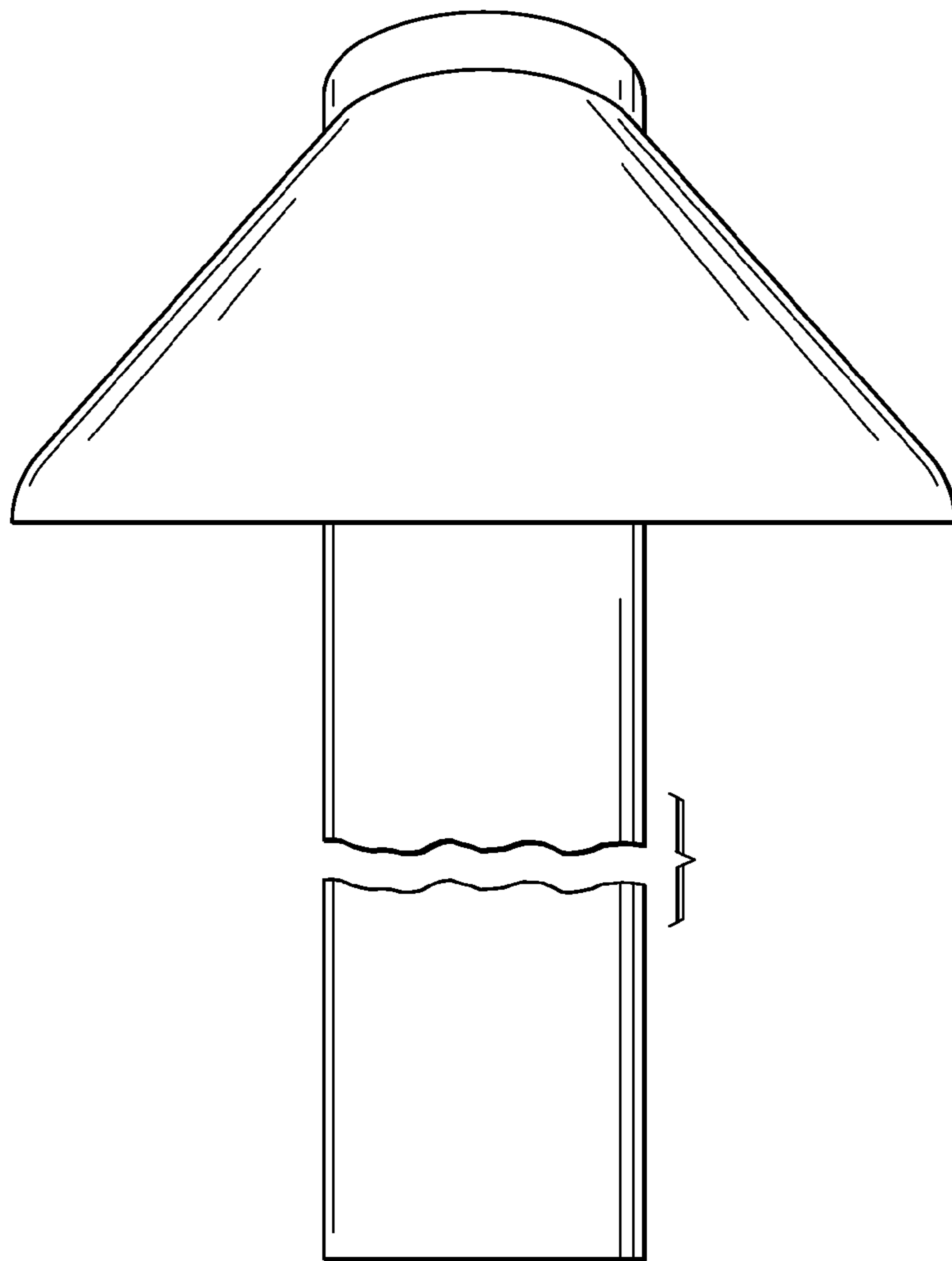
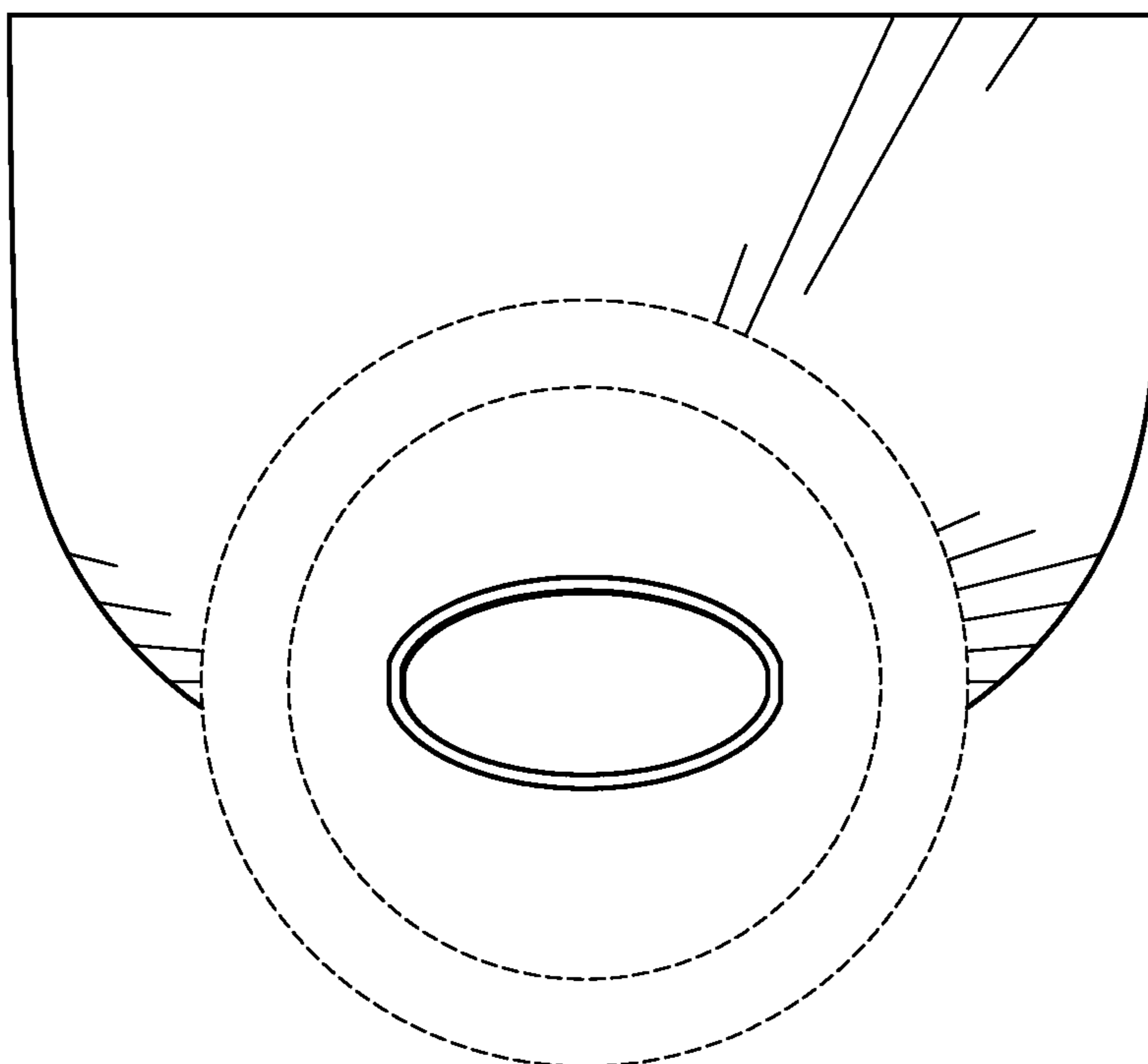
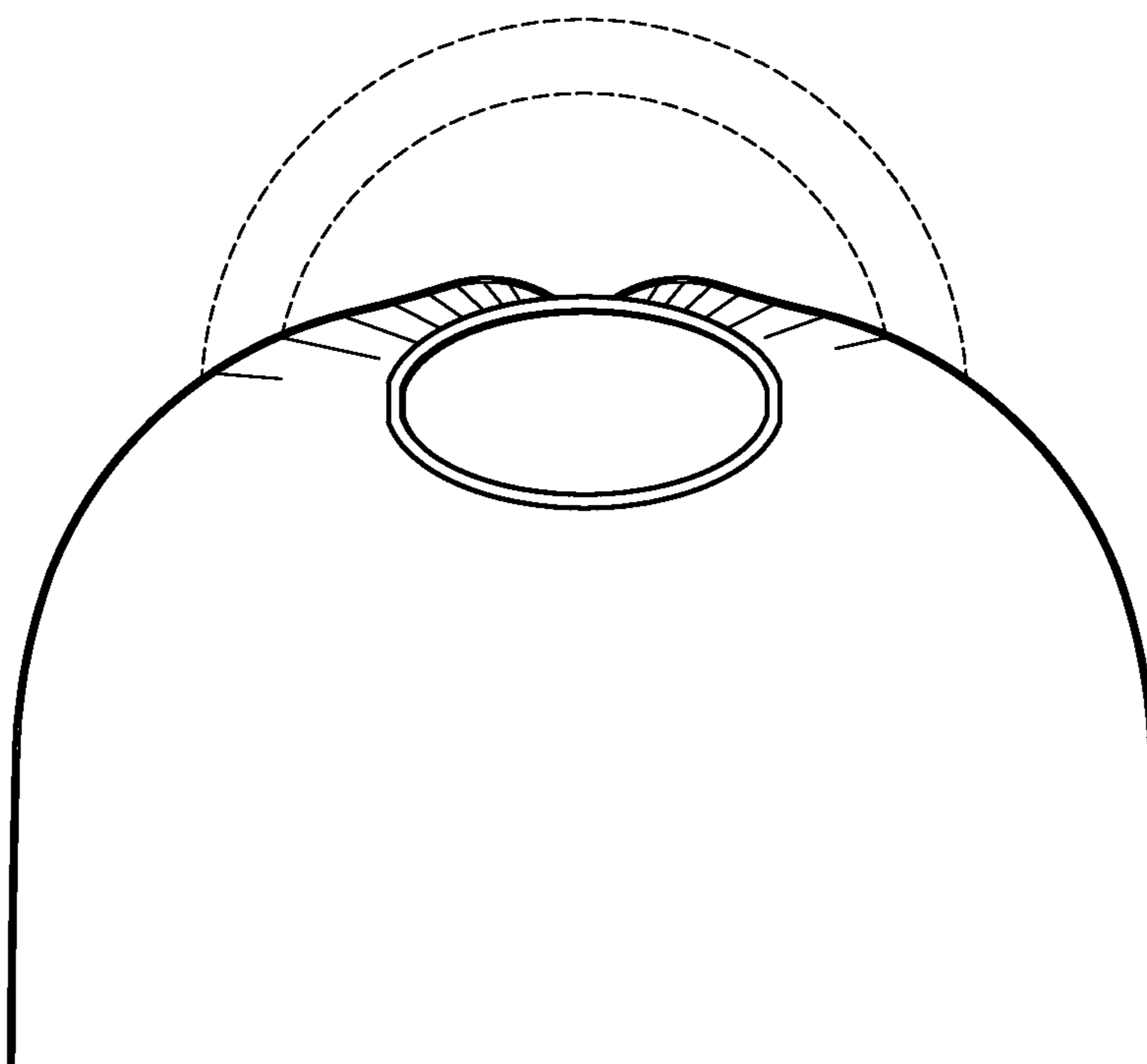


FIG. 4



*FIG. 5*



*FIG. 6*