



US00D690336S

(12) **United States Design Patent**
Gjertsen

(10) **Patent No.:** **US D690,336 S**

(45) **Date of Patent:** **** Sep. 24, 2013**

(54) **HYDRAULIC TURBOCHARGER PEDESTAL SEAL**

D616,966 S * 6/2010 Angell D23/262
D631,066 S * 1/2011 Itadani et al. D15/9
D655,796 S * 3/2012 DeWitt et al. D23/269

(75) Inventor: **Eric Gjertsen, Surrey (CA)**

* cited by examiner

(73) Assignee: **ADP Distributors, Inc., Surrey, B.C. (CA)**

Primary Examiner — Patricia Palasik

(74) *Attorney, Agent, or Firm* — Dwayne E. Rogge; Schacht Law Office, Inc.

(**) Term: **14 Years**

(21) Appl. No.: **29/396,516**

(57) **CLAIM**

The ornamental design for a hydraulic turbocharger pedestal seal, as shown and described.

(22) Filed: **Jun. 30, 2011**

DESCRIPTION

(51) **LOC (9) Cl.** **15-99**

(52) **U.S. Cl.**
USPC **D15/144**

(58) **Field of Classification Search**
USPC D15/144, 144.1, 144.2; 137/516.13–516.27;
251/368; 277/602, 608, 625–626;
285/104–105, 337; D23/269
See application file for complete search history.

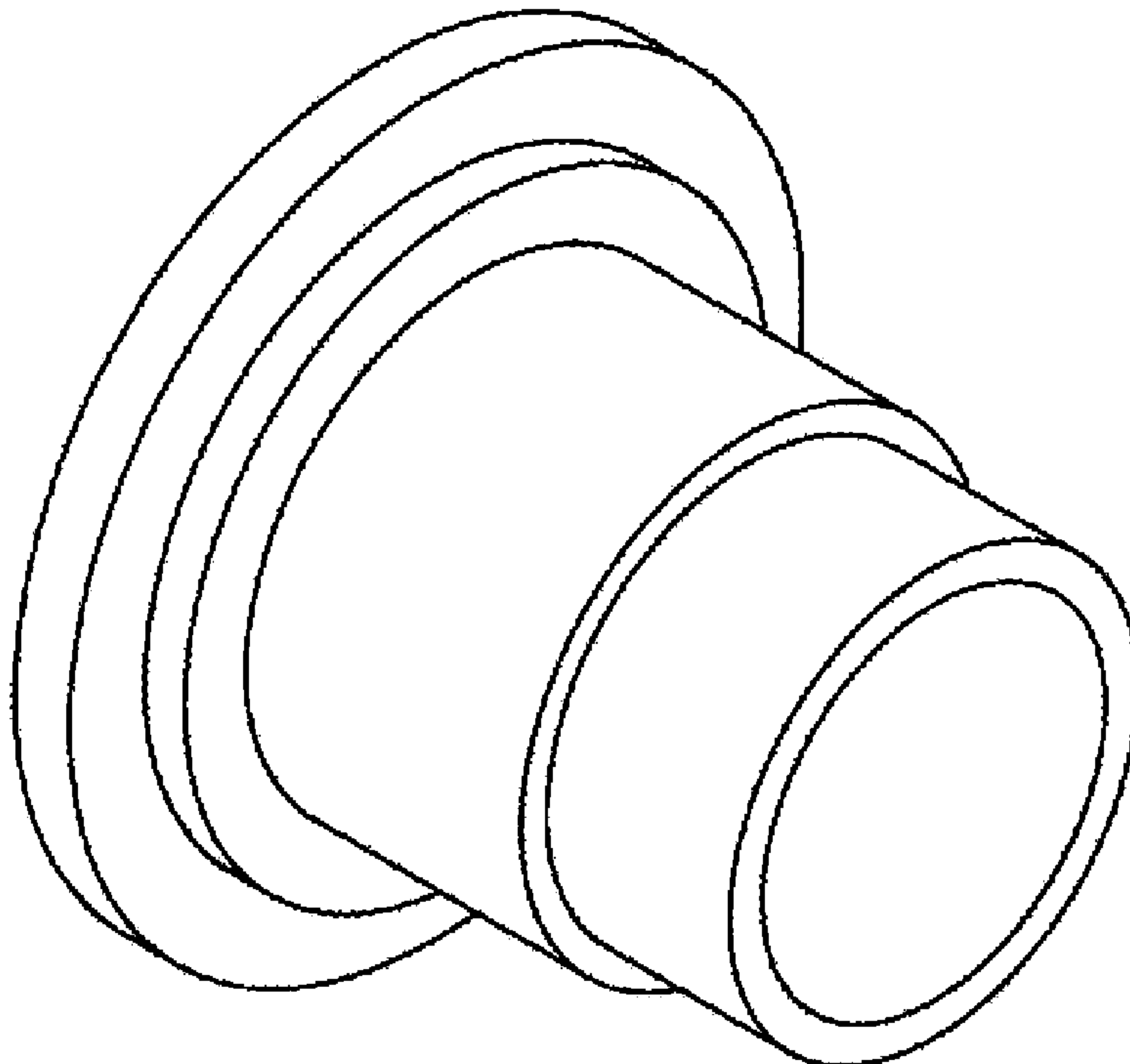
FIG. 1 is a side view from all sides of a first embodiment thereof, as the seal is symmetrical about a long axis.
FIG. 2 is a front isometric view thereof.
FIG. 3 is a rear isometric view thereof.
FIG. 4 is a front view thereof.
FIG. 5 is a rear view thereof.
FIG. 6 is a cross-sectional view taken along line 6-6 of FIG. 4.
FIG. 7 is a side view from all sides of a second embodiment thereof, as the seal is symmetrical about a long axis.
FIG. 8 is a front isometric view thereof.
FIG. 9 is a rear isometric view thereof.
FIG. 10 is a front view thereof.
FIG. 11 is a rear view thereof; and,
FIG. 12 is a cross-sectional view taken along line 12-12 of FIG. 10.

(56) **References Cited**

U.S. PATENT DOCUMENTS

3,557,549 A 1/1971 Webster
4,893,474 A 1/1990 Miller
D402,354 S * 12/1998 Strong et al. D23/259
6,109,167 A 8/2000 Vertanen
D435,090 S * 12/2000 Stout, Jr. D23/269
D539,117 S * 3/2007 Sealey et al. D8/349
D582,437 S * 12/2008 Shimomura et al. D15/7

1 Claim, 4 Drawing Sheets



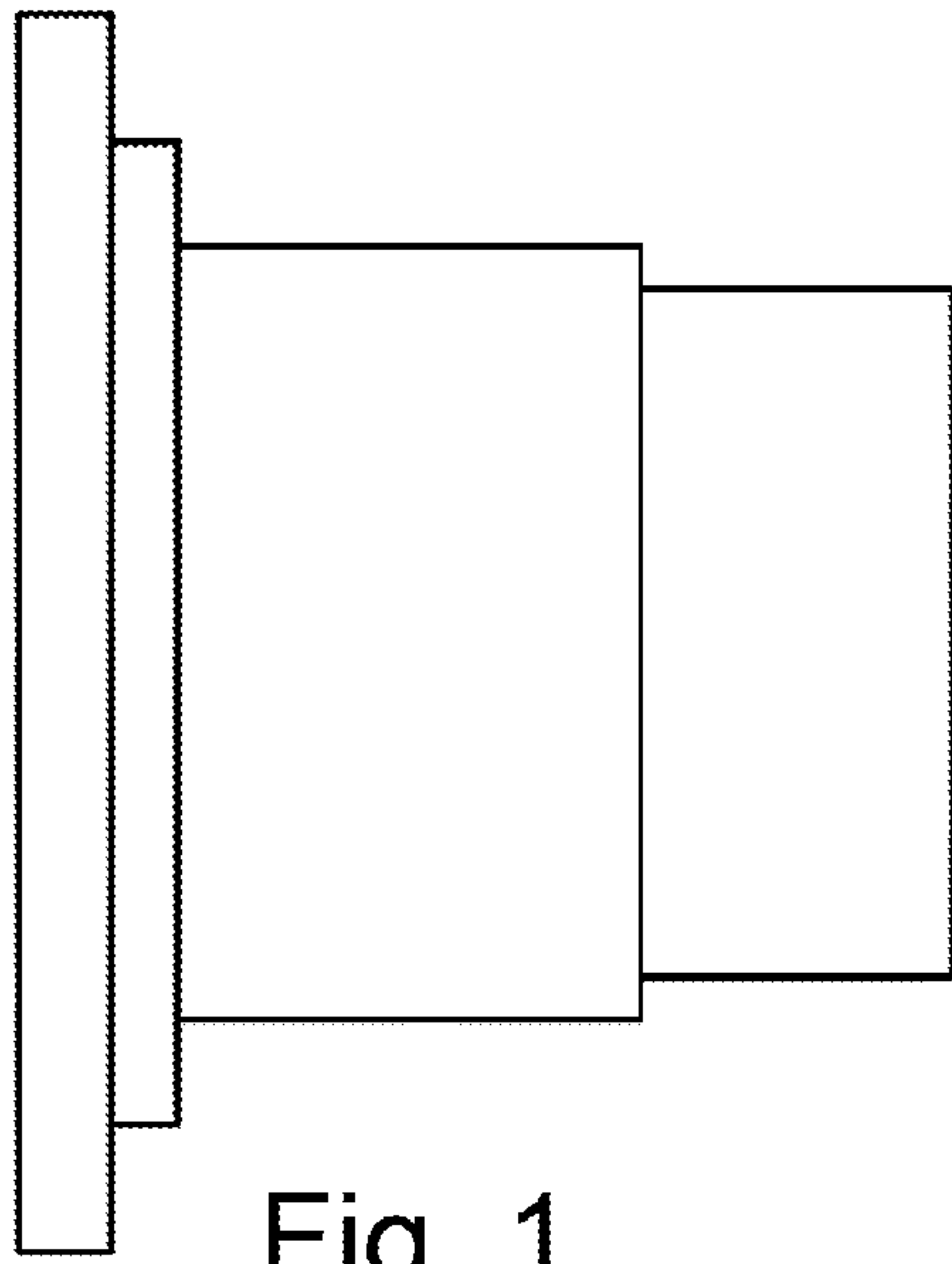


Fig. 1

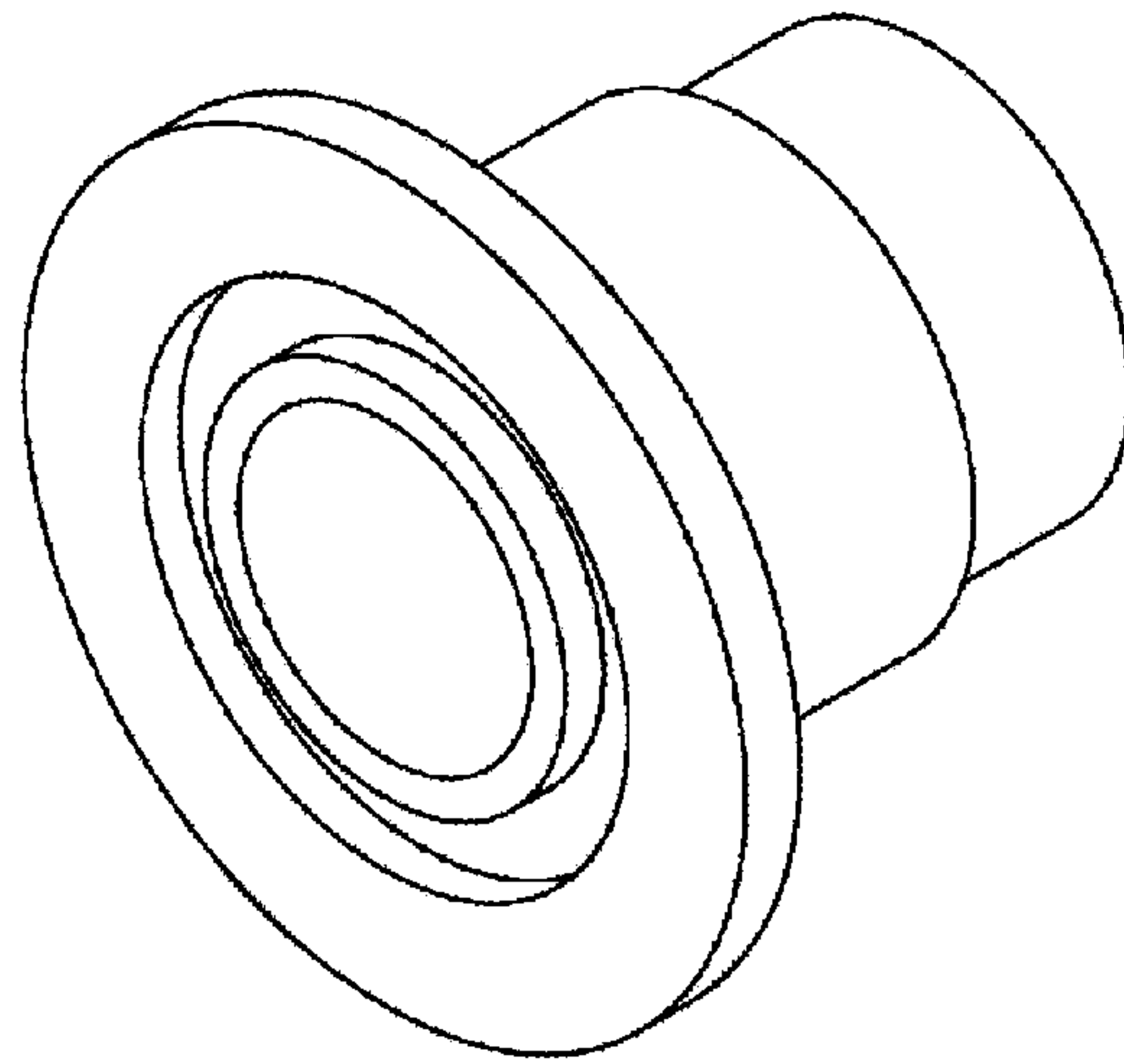


Fig. 2

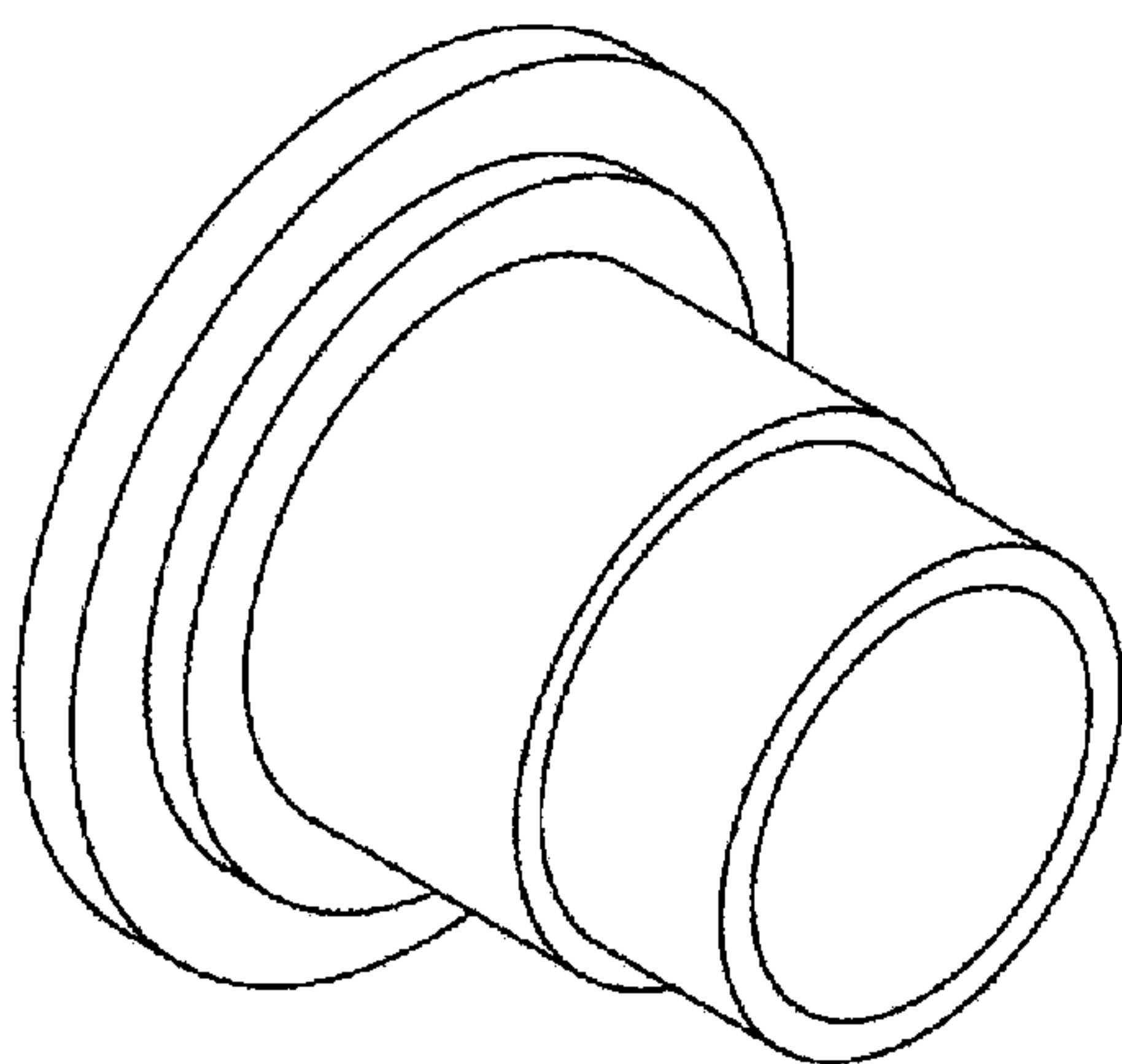


Fig. 3

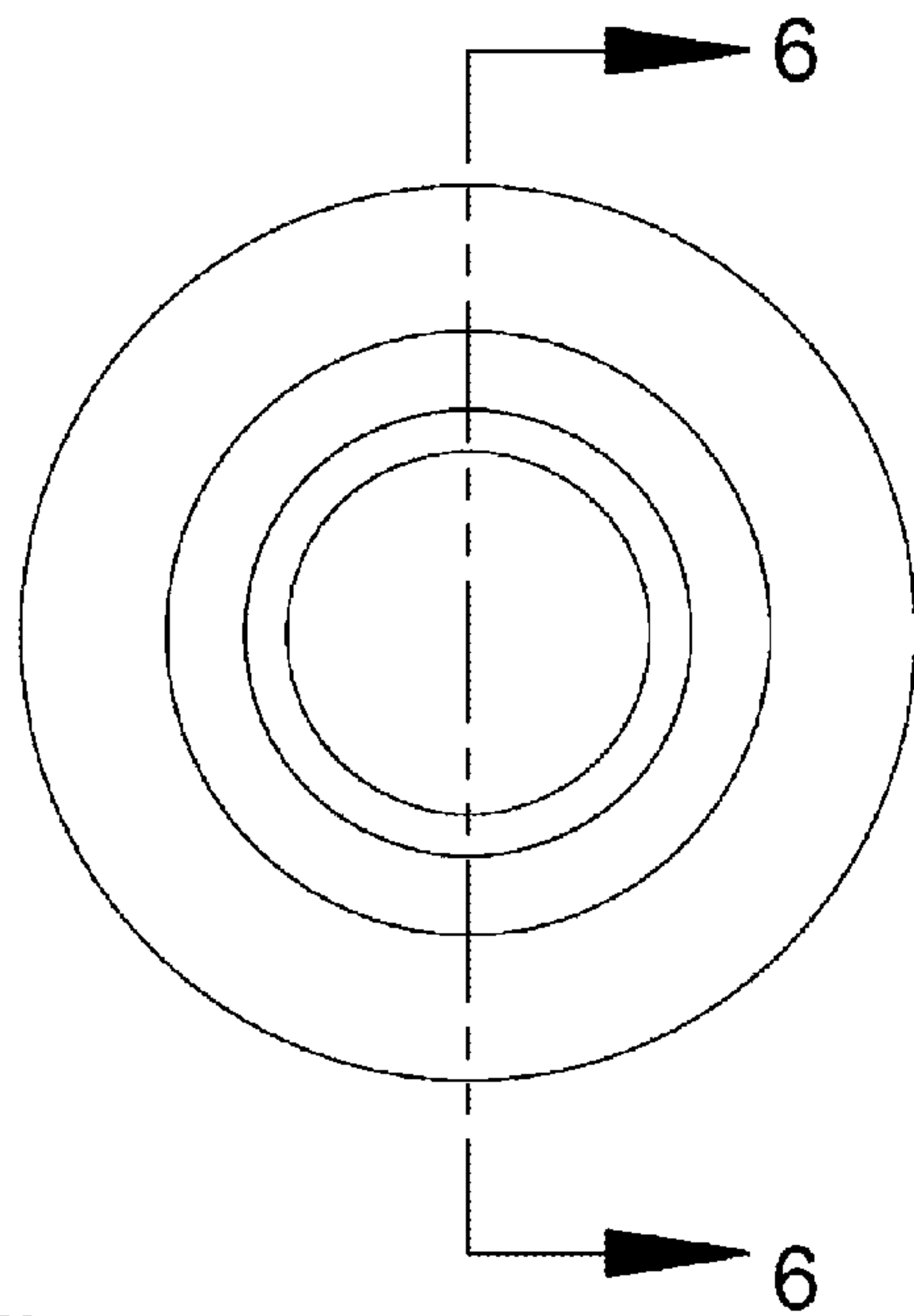


Fig. 4

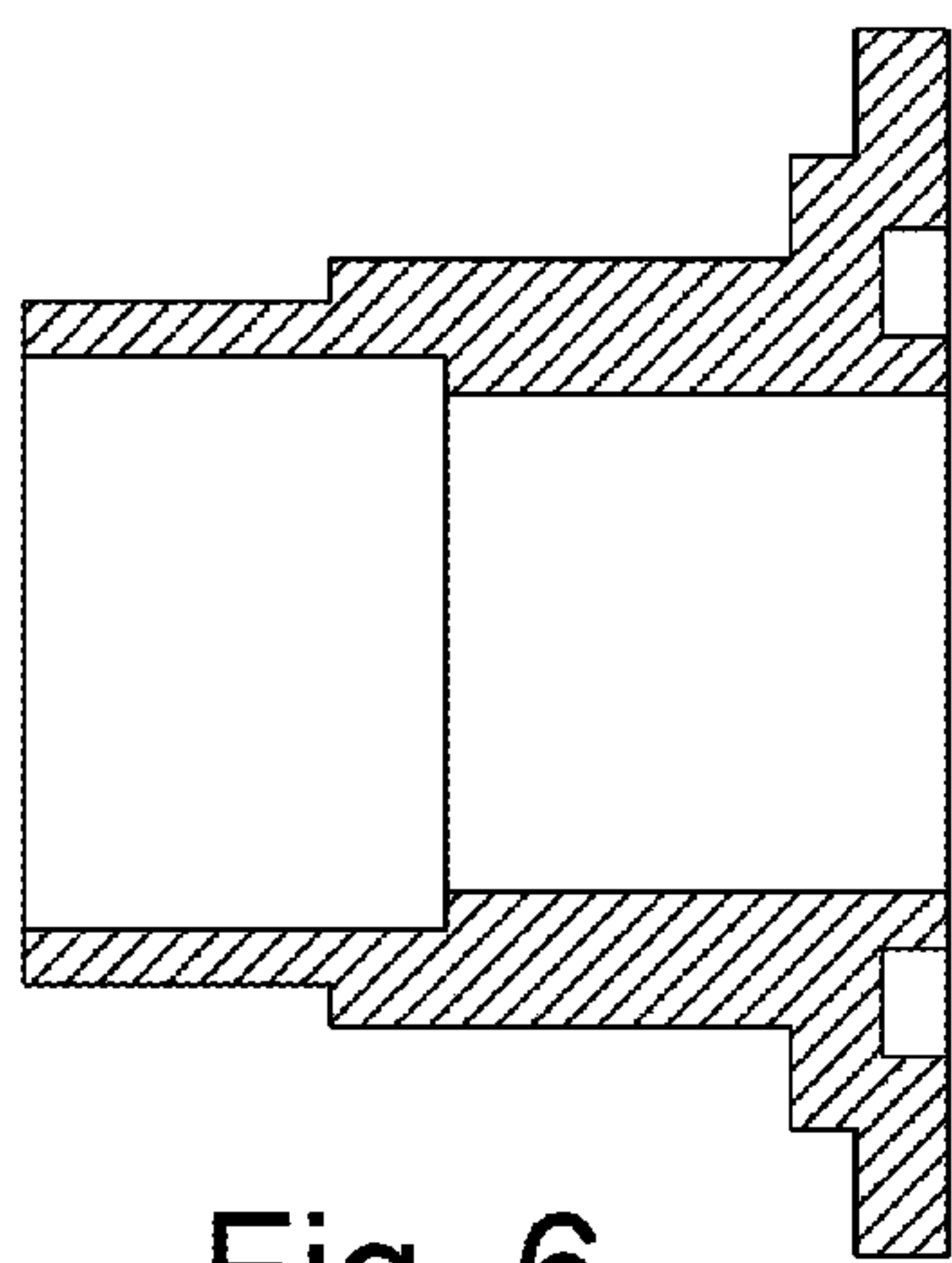


Fig. 6

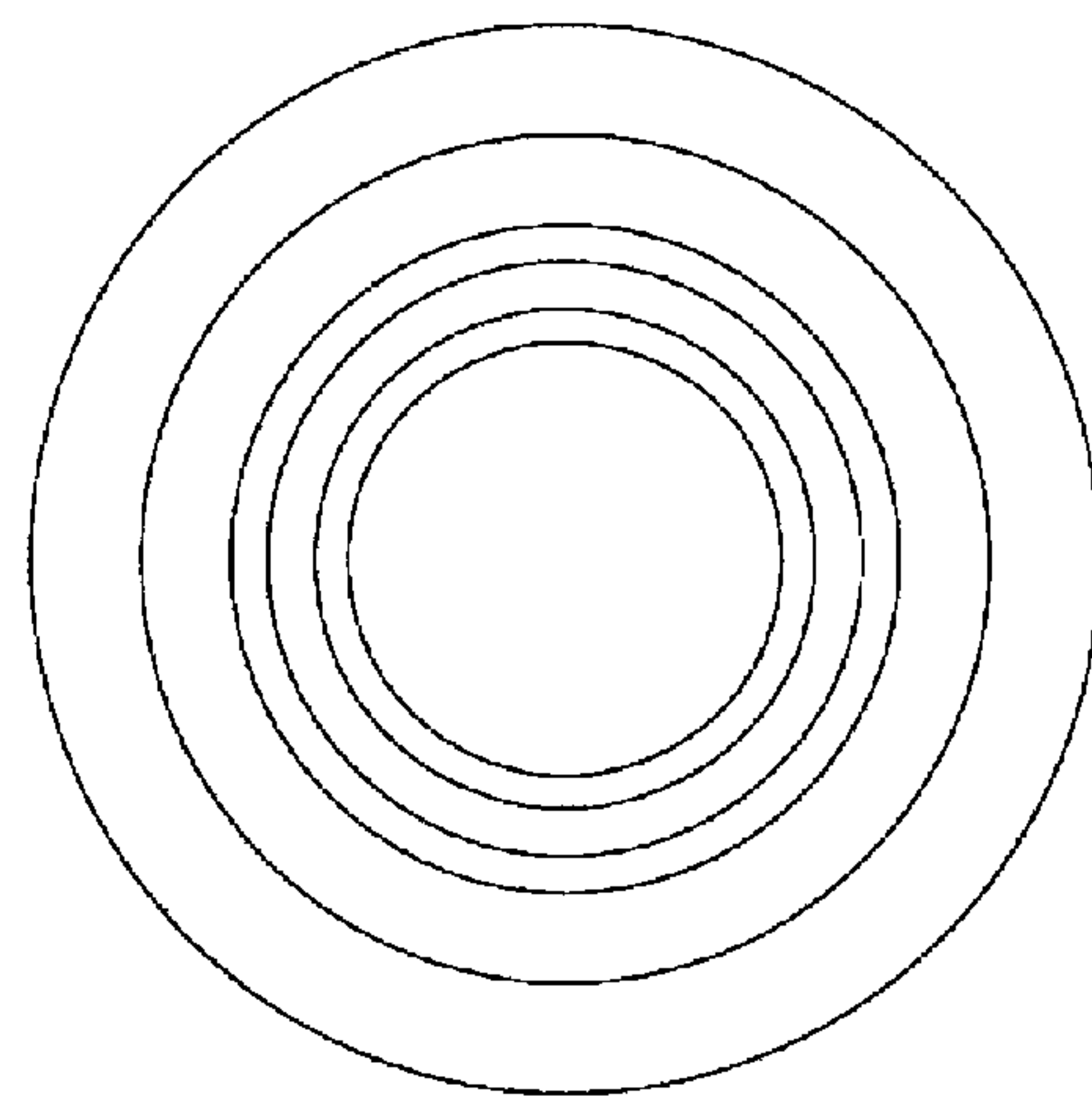


Fig. 5

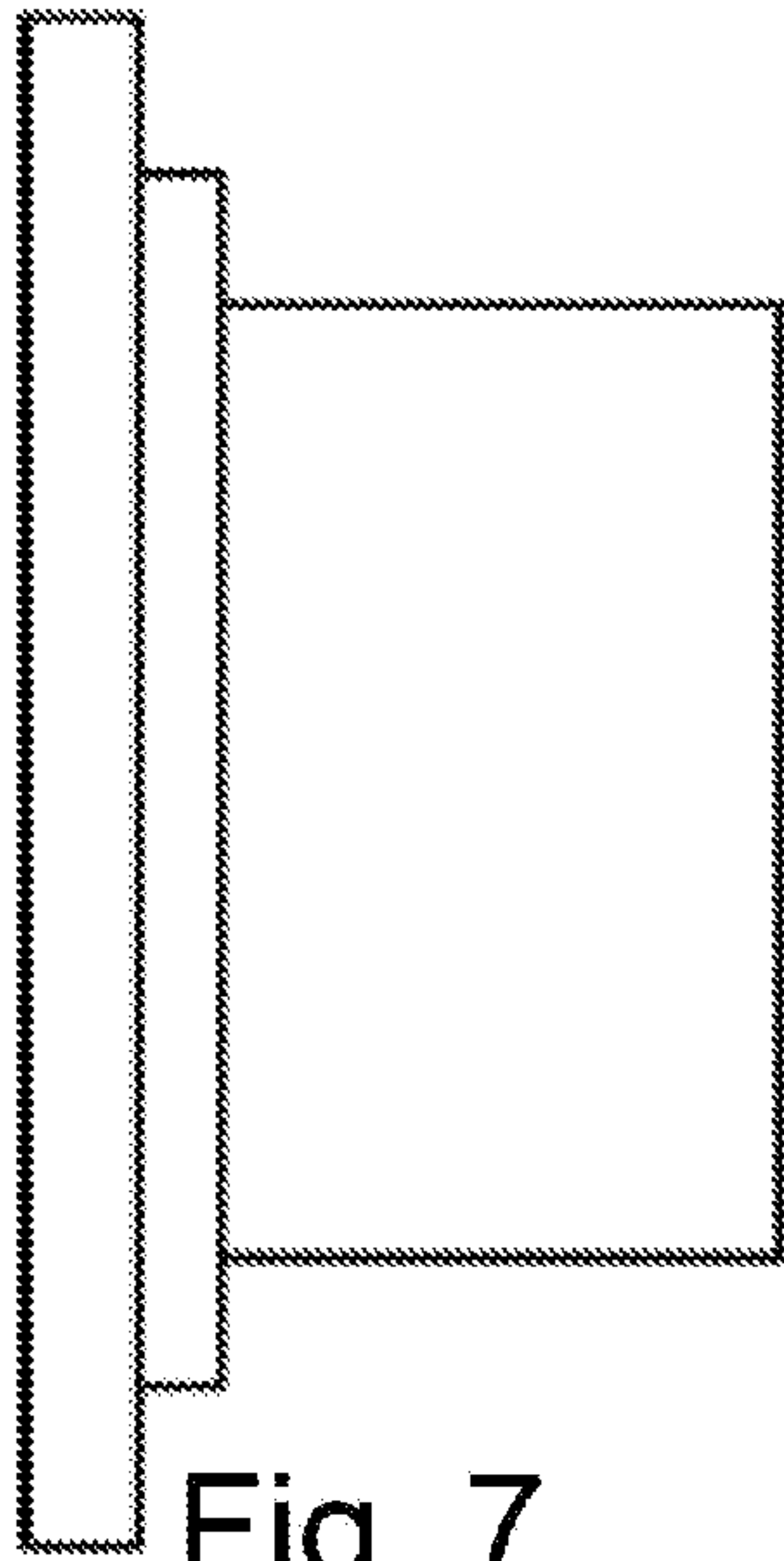


Fig. 7

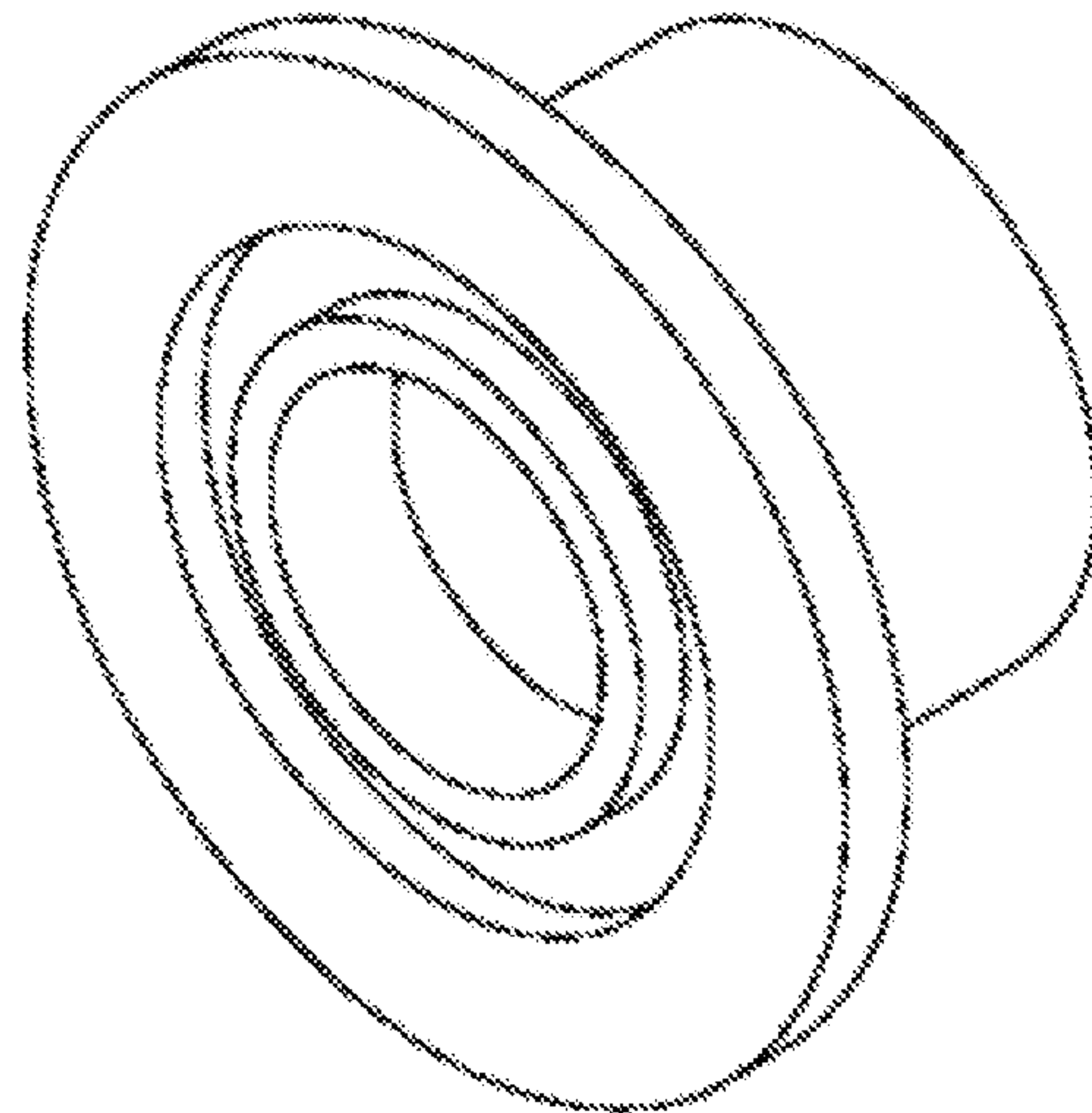


Fig. 8

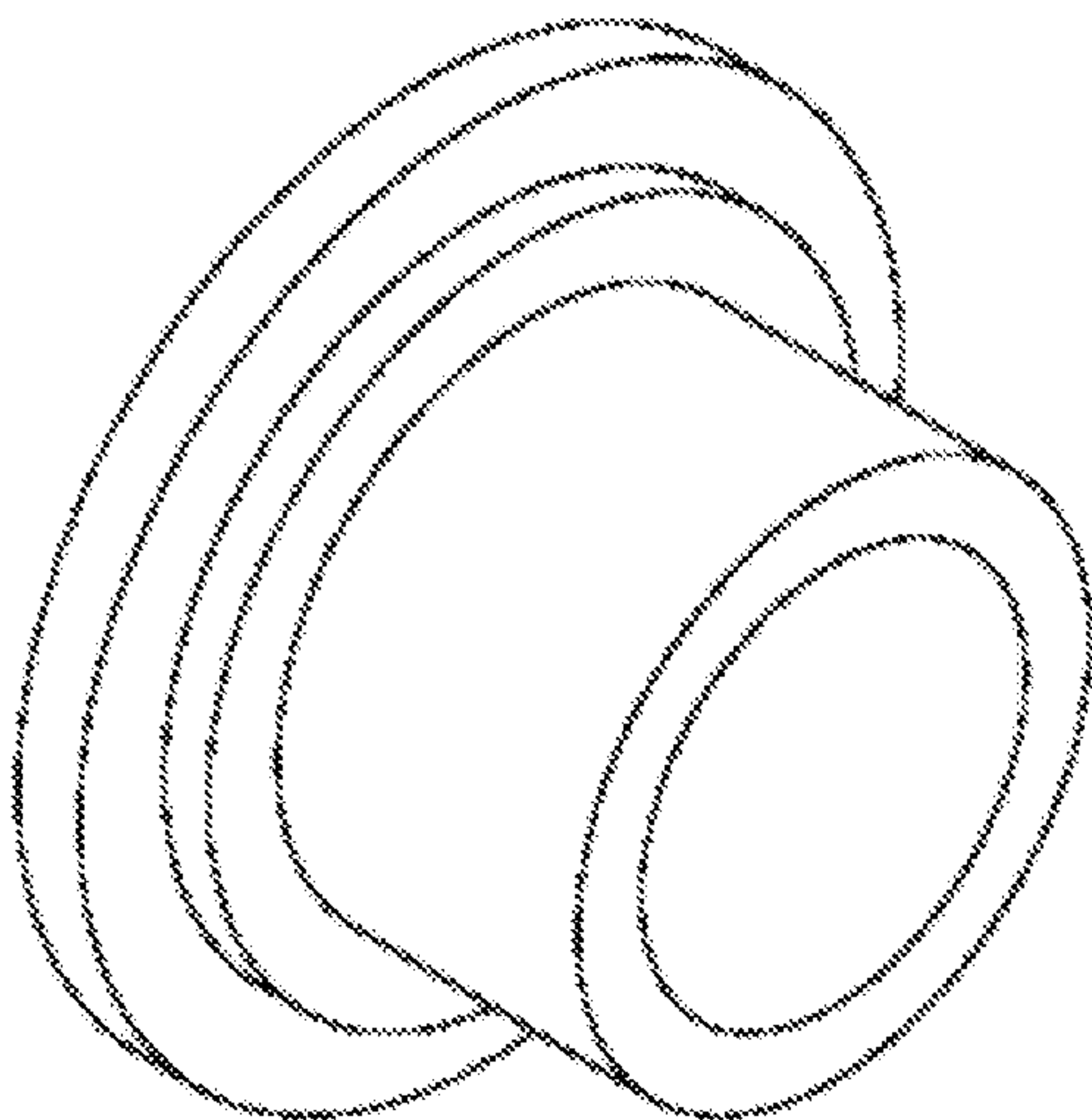


Fig. 9

