



US00D690333S

(12) **United States Design Patent**
Morehead et al.

(10) **Patent No.:** **US D690,333 S**

(45) **Date of Patent:** **** Sep. 24, 2013**

(54) **PUNCH TOOL**

(75) Inventors: **John H. Morehead**, White Bear Lake, MN (US); **Kevin A. Johnston**, Deer Park, WI (US)

(73) Assignee: **Wilson Tool International Inc.**, White Bear Lake, MN (US)

(**) Term: **14 Years**

(21) Appl. No.: **29/420,757**

(22) Filed: **May 11, 2012**

(51) **LOC (9) Cl.** **15-09**

(52) **U.S. Cl.**
USPC **D15/128**

(58) **Field of Classification Search**
USPC D8/98; D15/128, 138; D19/65,
D19/72; 29/240, 256, 264; 30/366, 367;
279/96, 100, 101, 102; 403/16
See application file for complete search history.

(56) **References Cited**

U.S. PATENT DOCUMENTS

199,715	A *	1/1878	Jenkins	83/688
D146,899	S *	6/1947	Daniels	D8/78
2,522,440	A *	9/1950	Freter	72/464
D161,810	S *	2/1951	Alexander	D8/75
2,927,492	A *	3/1960	Porter	83/698.91
3,641,860	A *	2/1972	Whistler et al.	83/686
3,763,730	A *	10/1973	Ahlegian	83/521
4,273,015	A *	6/1981	Johnson	83/670
4,526,077	A *	7/1985	DeGuvera	83/686
D294,000	S *	2/1988	Friedrich	D8/47
4,762,043	A *	8/1988	Sneed	83/688
5,044,244	A *	9/1991	Olson	83/686
5,746,104	A *	5/1998	Russell et al.	83/698.71
5,887,502	A *	3/1999	Yamaguchi et al.	83/76
D408,251	S *	4/1999	Gilbert	D8/75
D413,780	S *	9/1999	Beam	D8/75
D444,693	S *	7/2001	Griese et al.	D8/107
6,725,756	B2 *	4/2004	Brenneke	83/697
D526,667	S *	8/2006	Sakamoto et al.	D15/128
2003/0075034	A1 *	4/2003	Brenneke	83/684
2010/0107846	A1	5/2010	Lee et al.	

OTHER PUBLICATIONS

Pages from Trumpf Tooling website, retrieved from the Internet:
<URL: "http://www.bing.com/images/search?q=trumpf+punches
&view=detail
&id=8485A1BC7C5B730800D57B118A806DCD148FDB6A
&first=1&adit=strict," believed to be available more than one year
prior to the filing of the instant application, (2 pgs.).

* cited by examiner

Primary Examiner — Patricia Palasik

(74) *Attorney, Agent, or Firm* — Fredrikson & Byron, P.A.

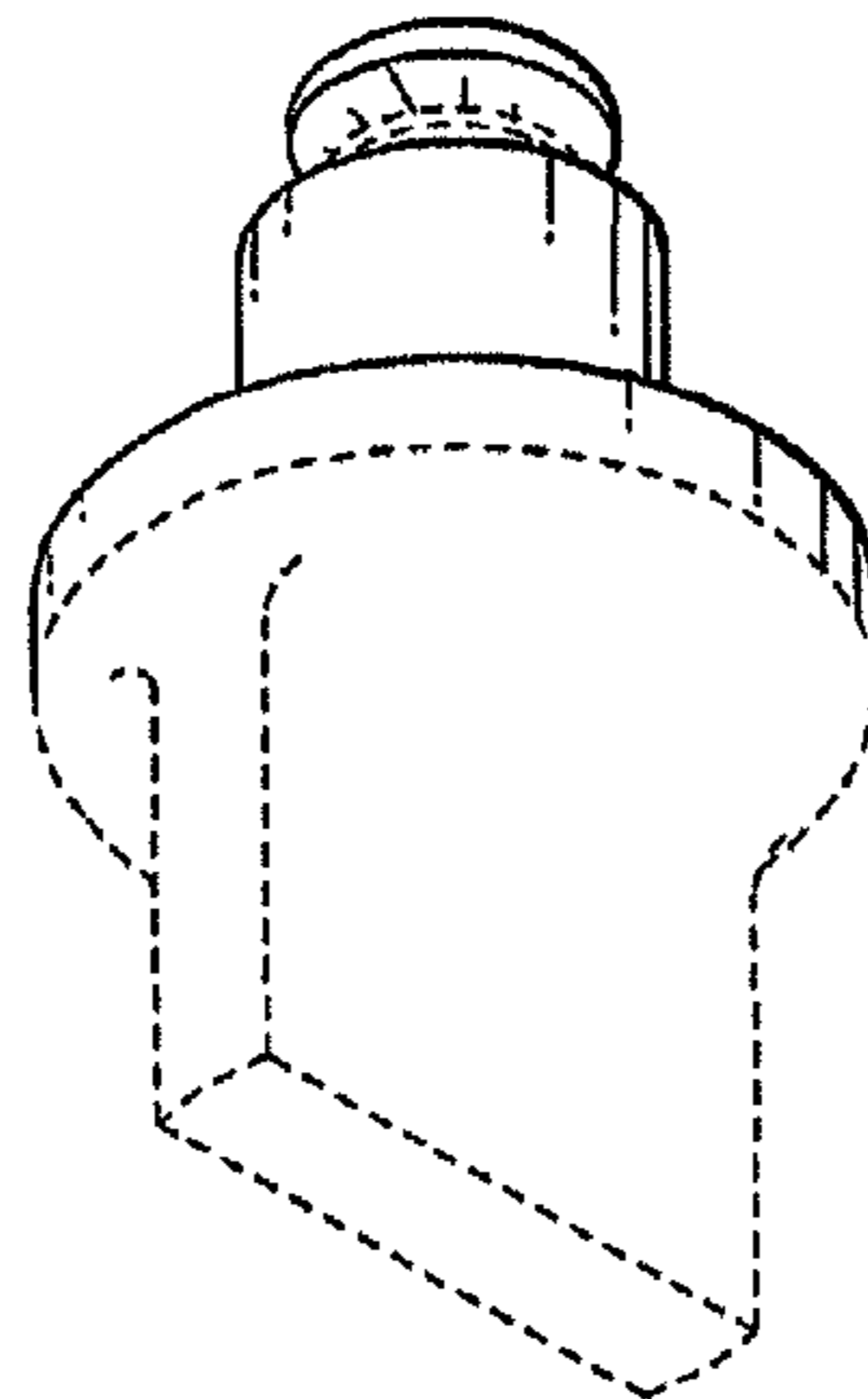
(57) **CLAIM**

We claim the ornamental design for a punch tool, as shown and described.

DESCRIPTION

FIG. 1 is a perspective view of our new design for a punch tool;
FIG. 2 is another perspective view thereof;
FIG. 3 is a bottom view thereof;
FIG. 4 is a side view thereof, the opposite side view being a mirror image thereof;
FIG. 5 is a top view thereof;
FIG. 6 is a front view thereof;
FIG. 7 is a rear view thereof;
FIG. 8 is a perspective view of a second embodiment of our new design for a punch tool;
FIG. 9 is another perspective view thereof;
FIG. 10 is a bottom view thereof;
FIG. 11 is a side view thereof, the opposite side view being a mirror image thereof;
FIG. 12 is a top view thereof;
FIG. 13 is a front view thereof; and,
FIG. 14 is a rear view thereof.
The broken lines showing the rear end of the punch tool form no part of the claimed design.

1 Claim, 14 Drawing Sheets



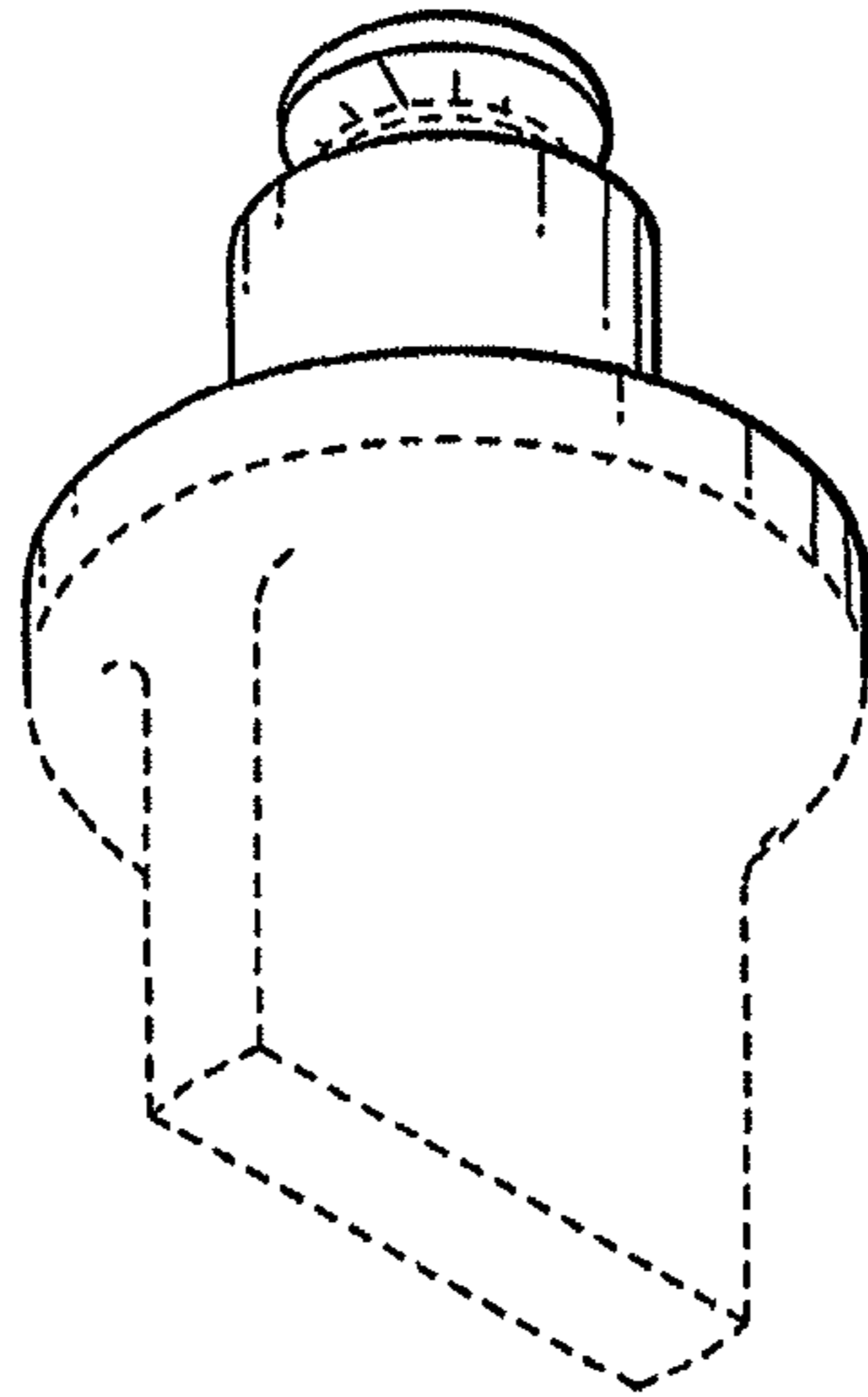


FIG. 1

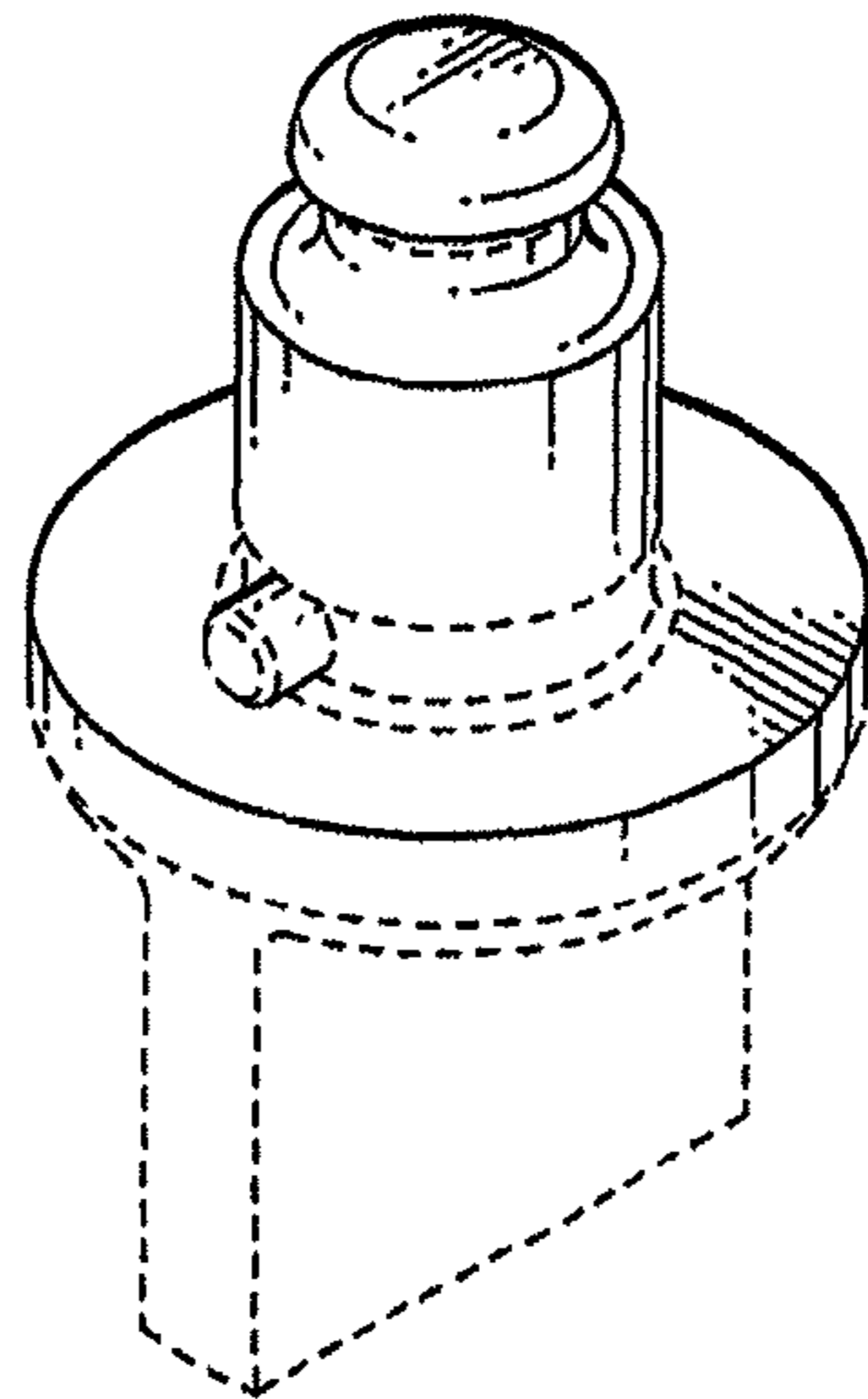


FIG. 2

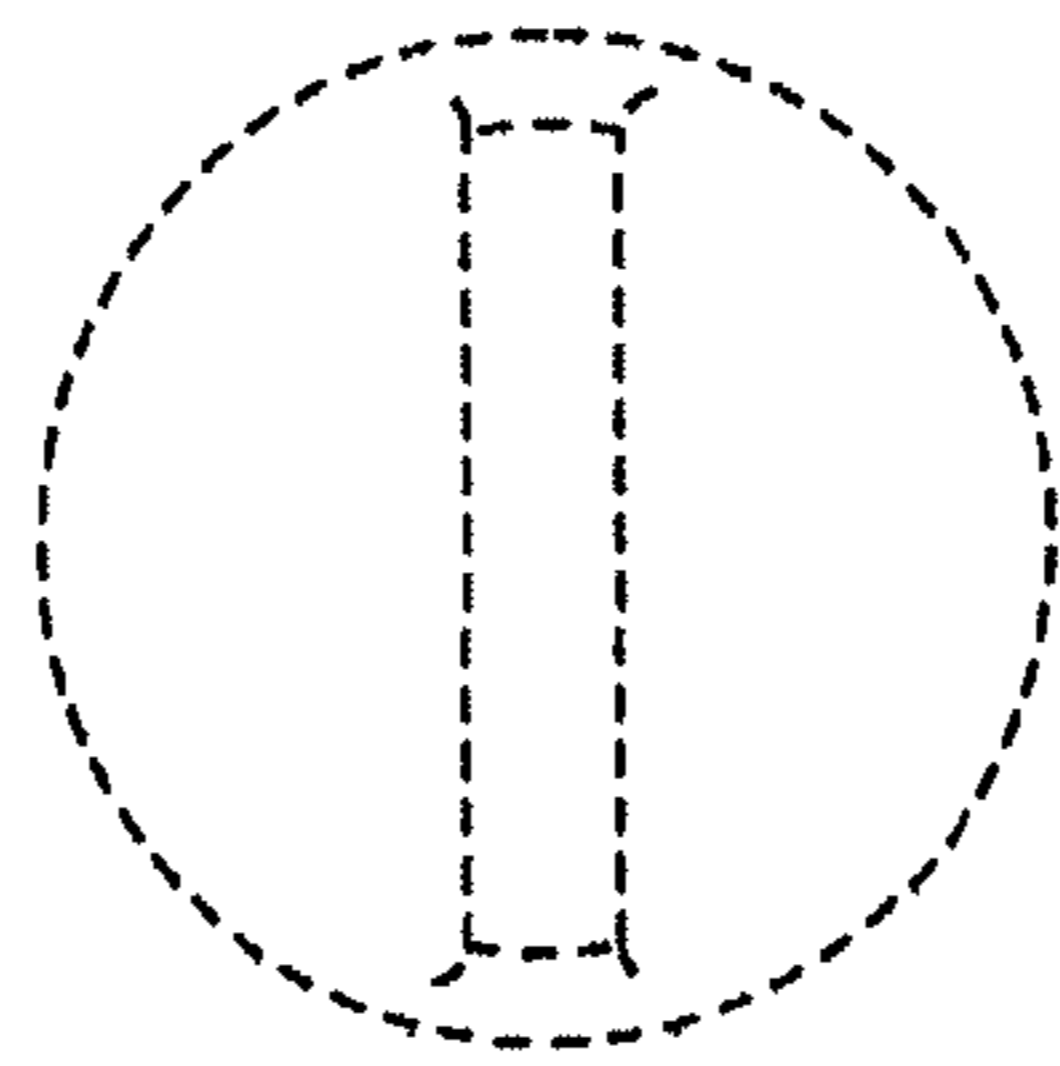


FIG. 3

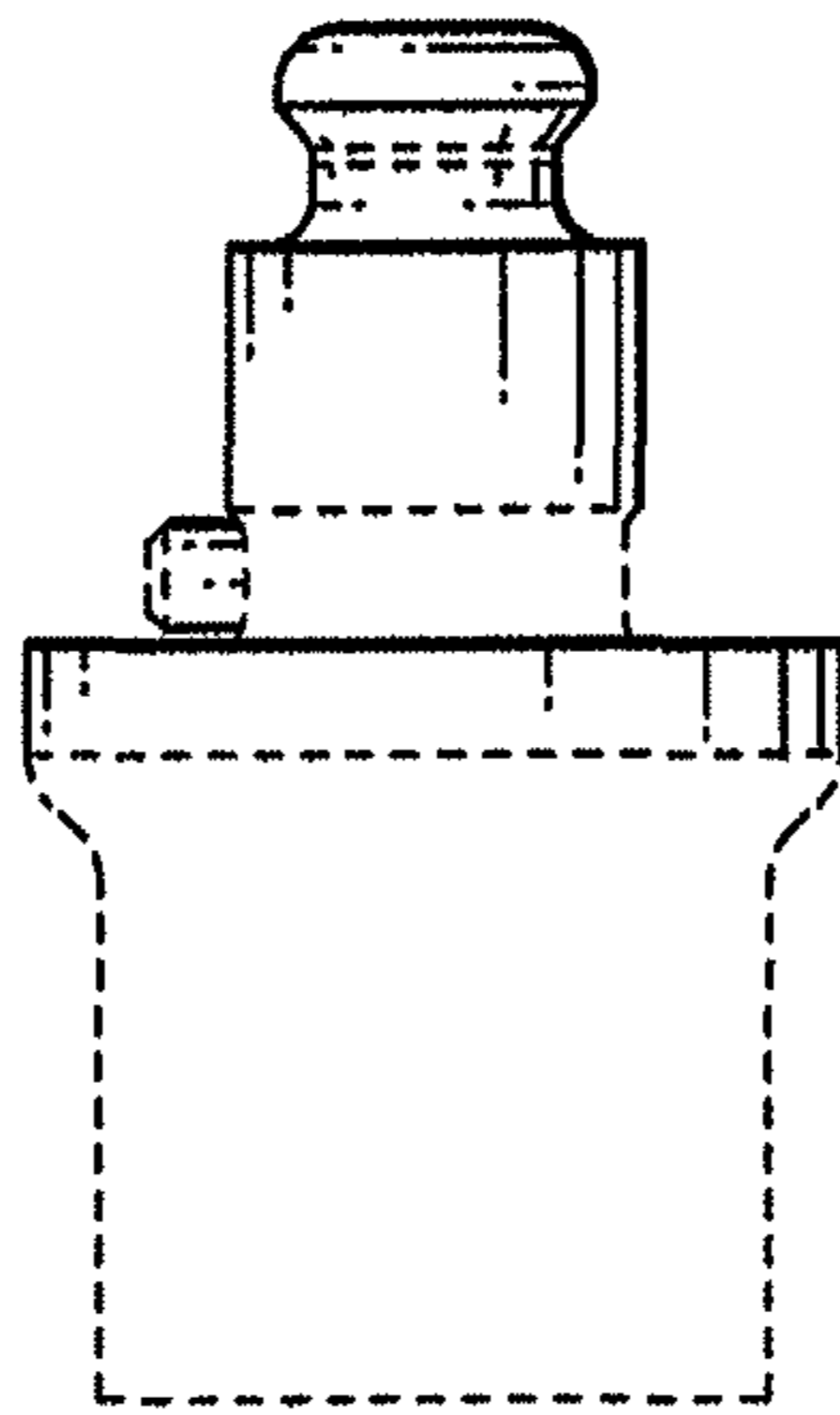


FIG. 4

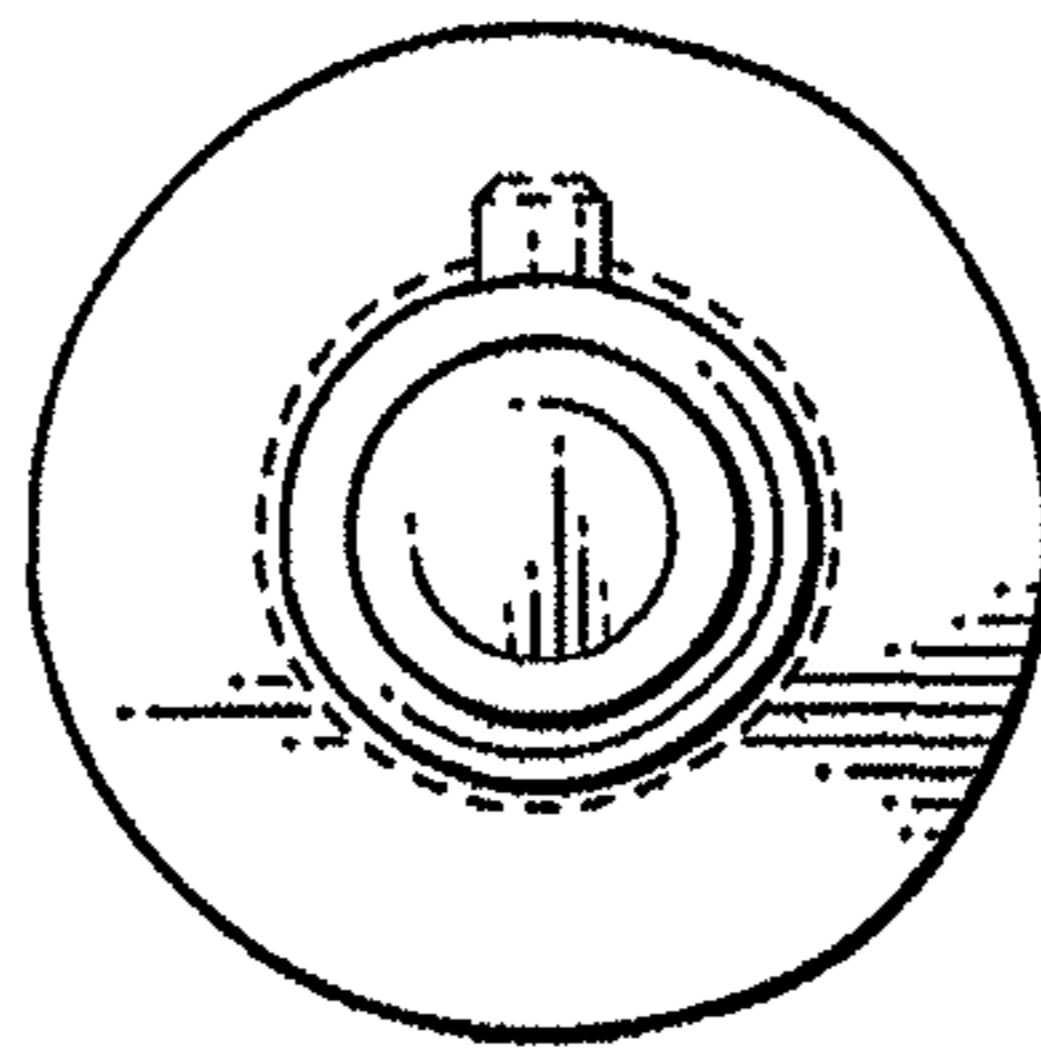


FIG. 5

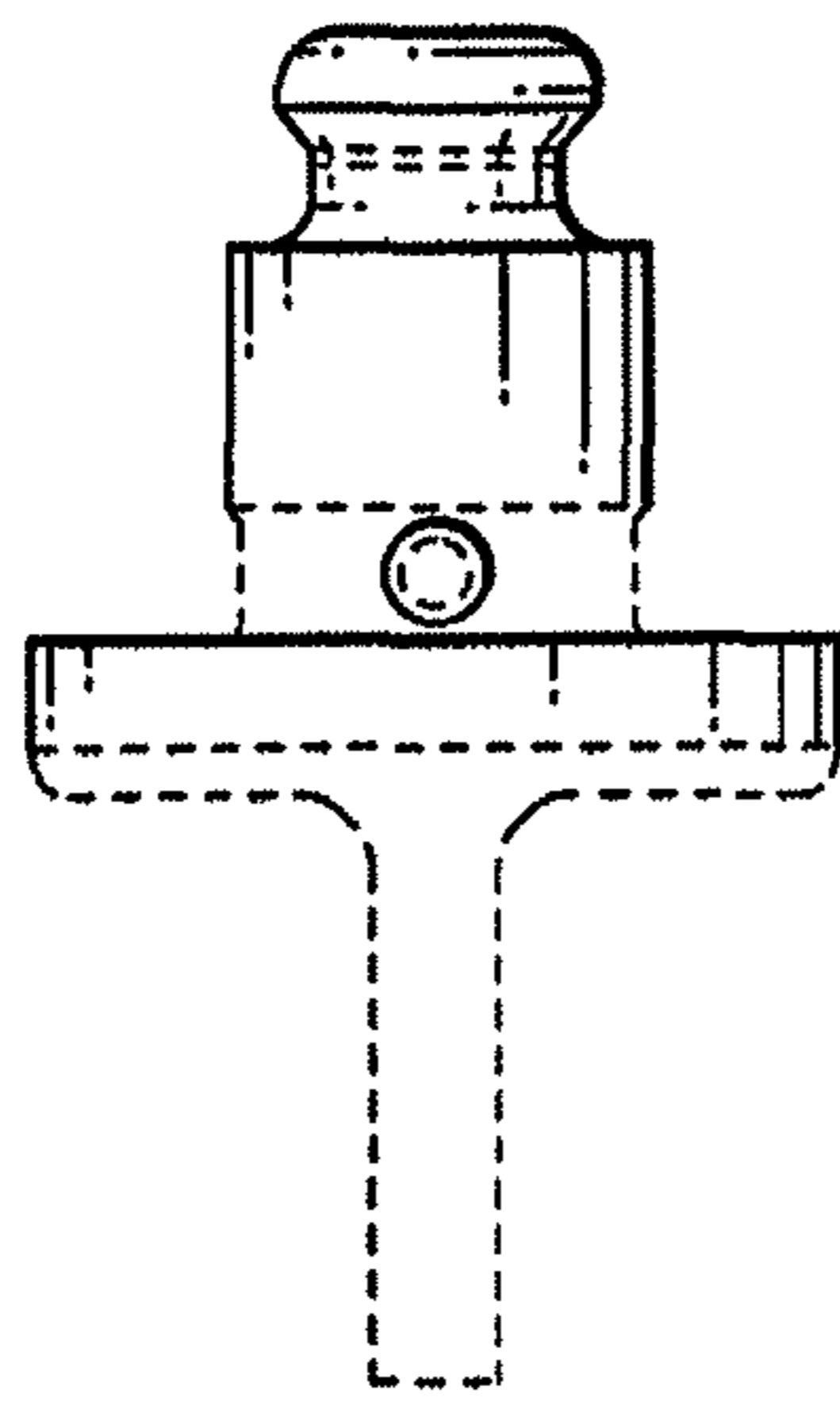


FIG. 6

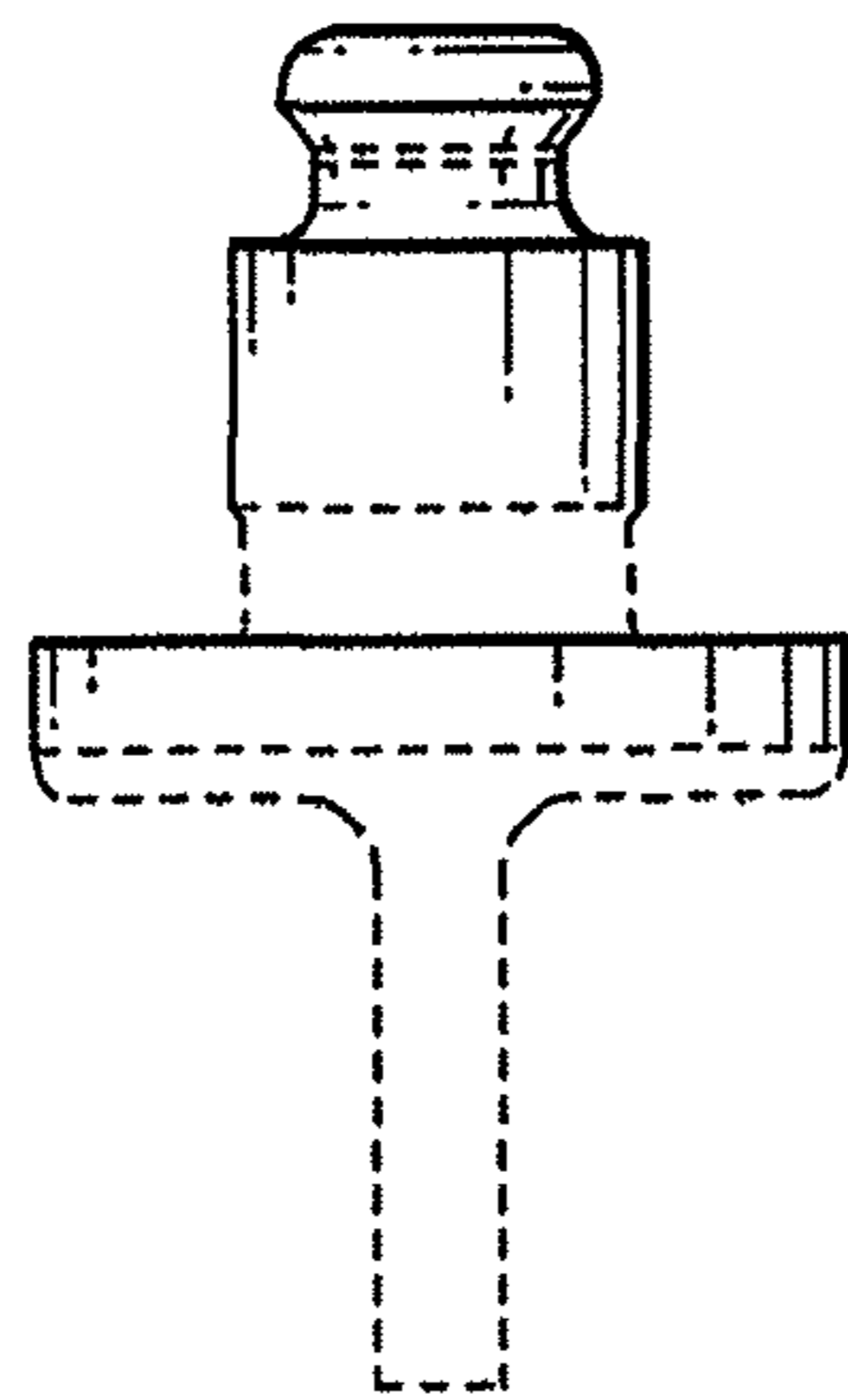


FIG. 7

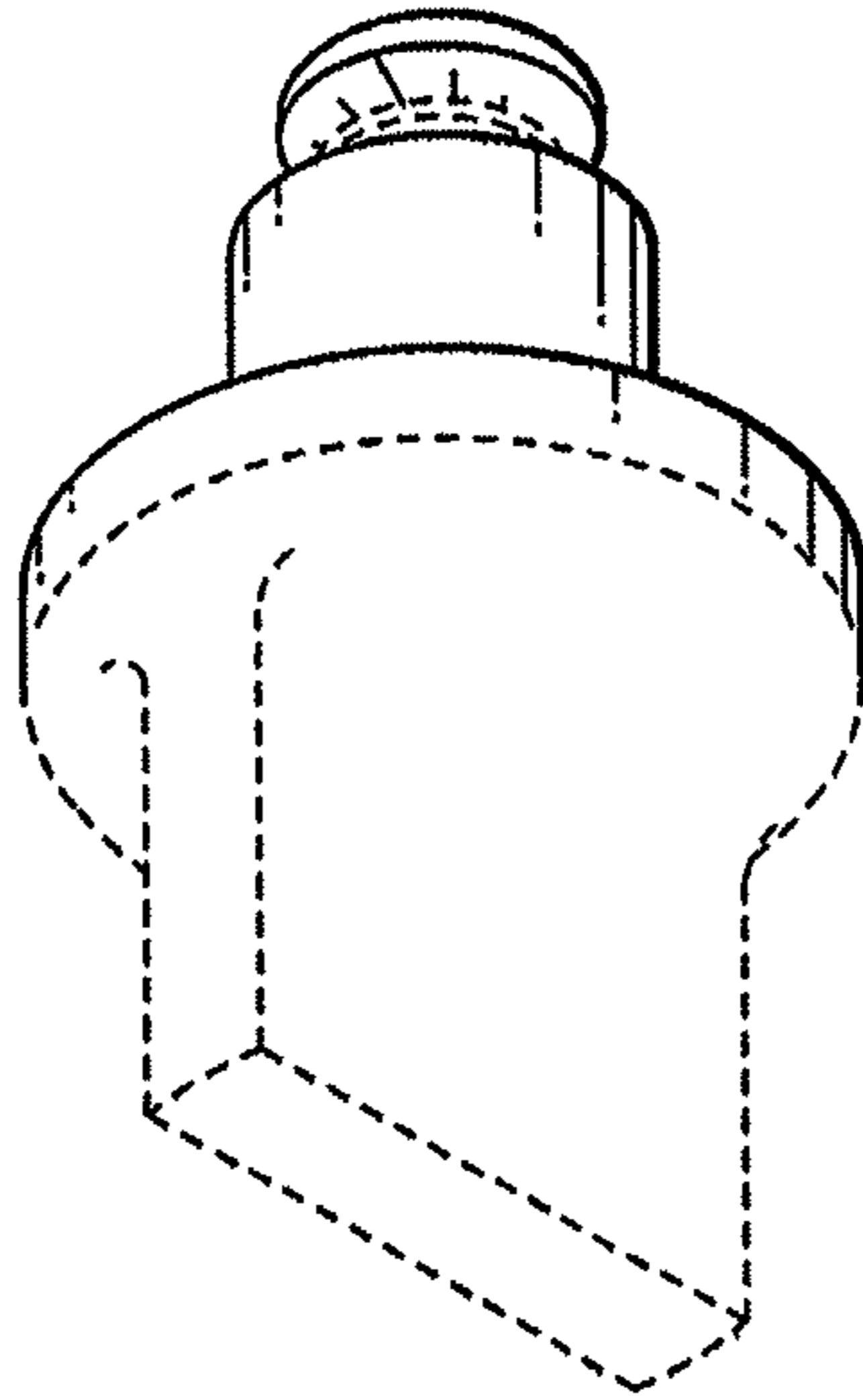


FIG. 8

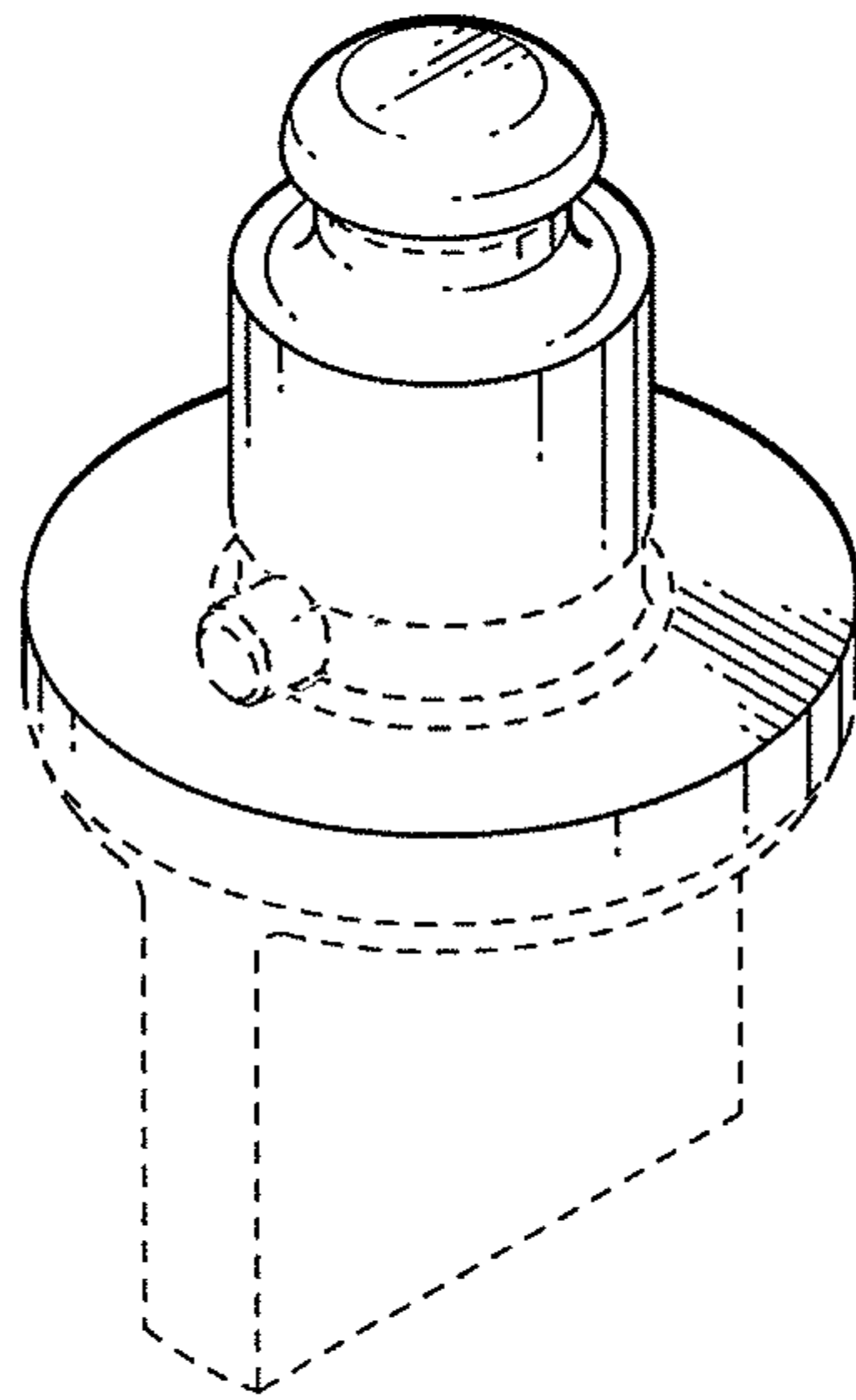


FIG. 9

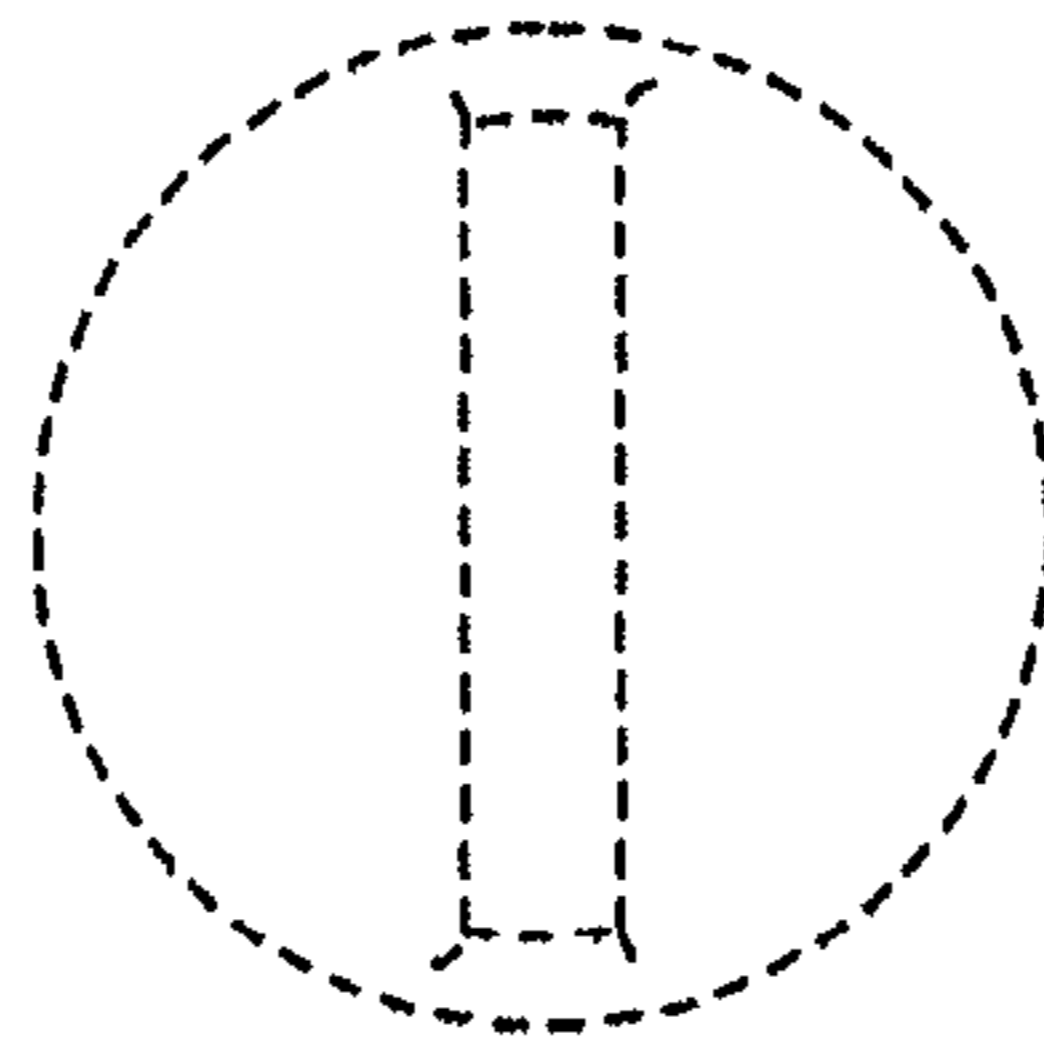


FIG. 10

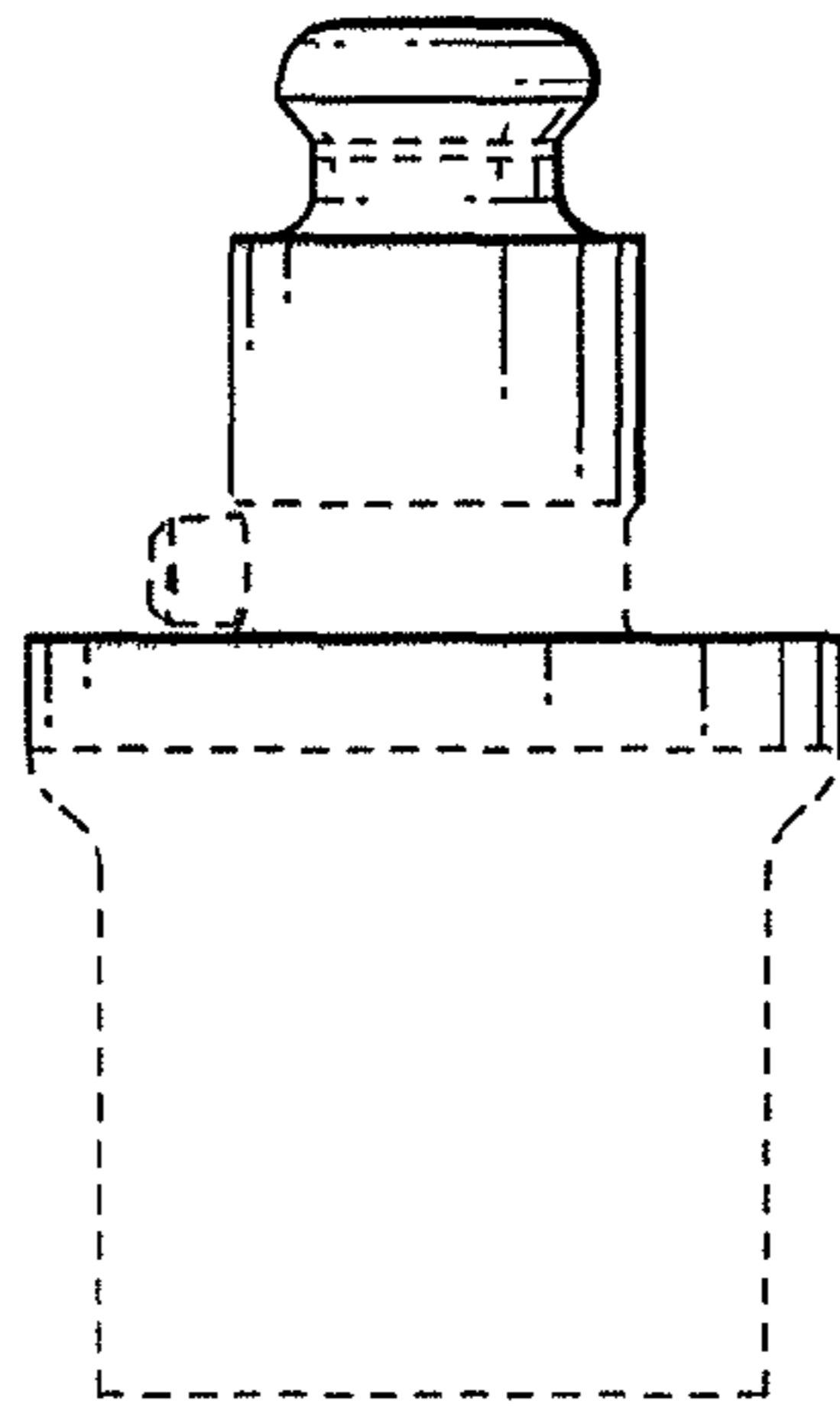


FIG. 11

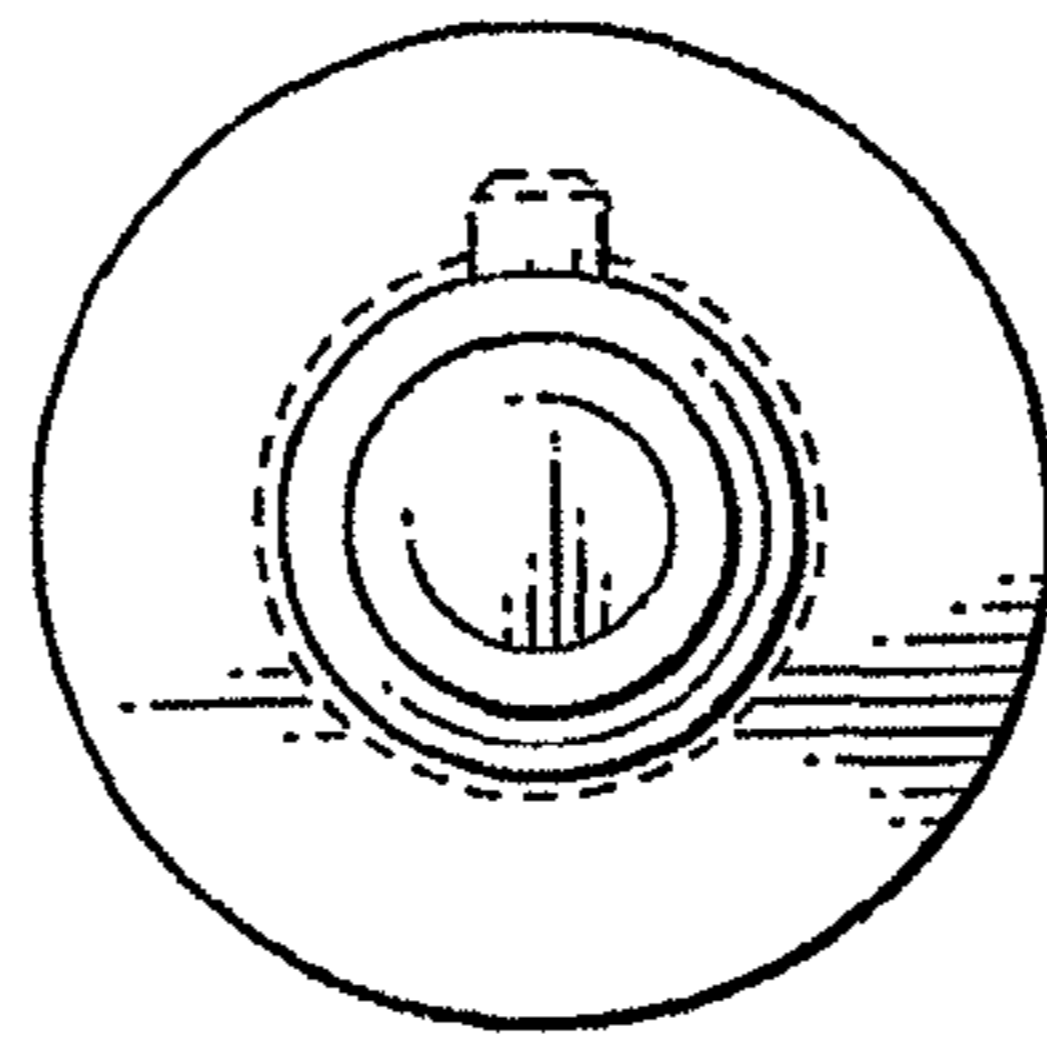


FIG. 12

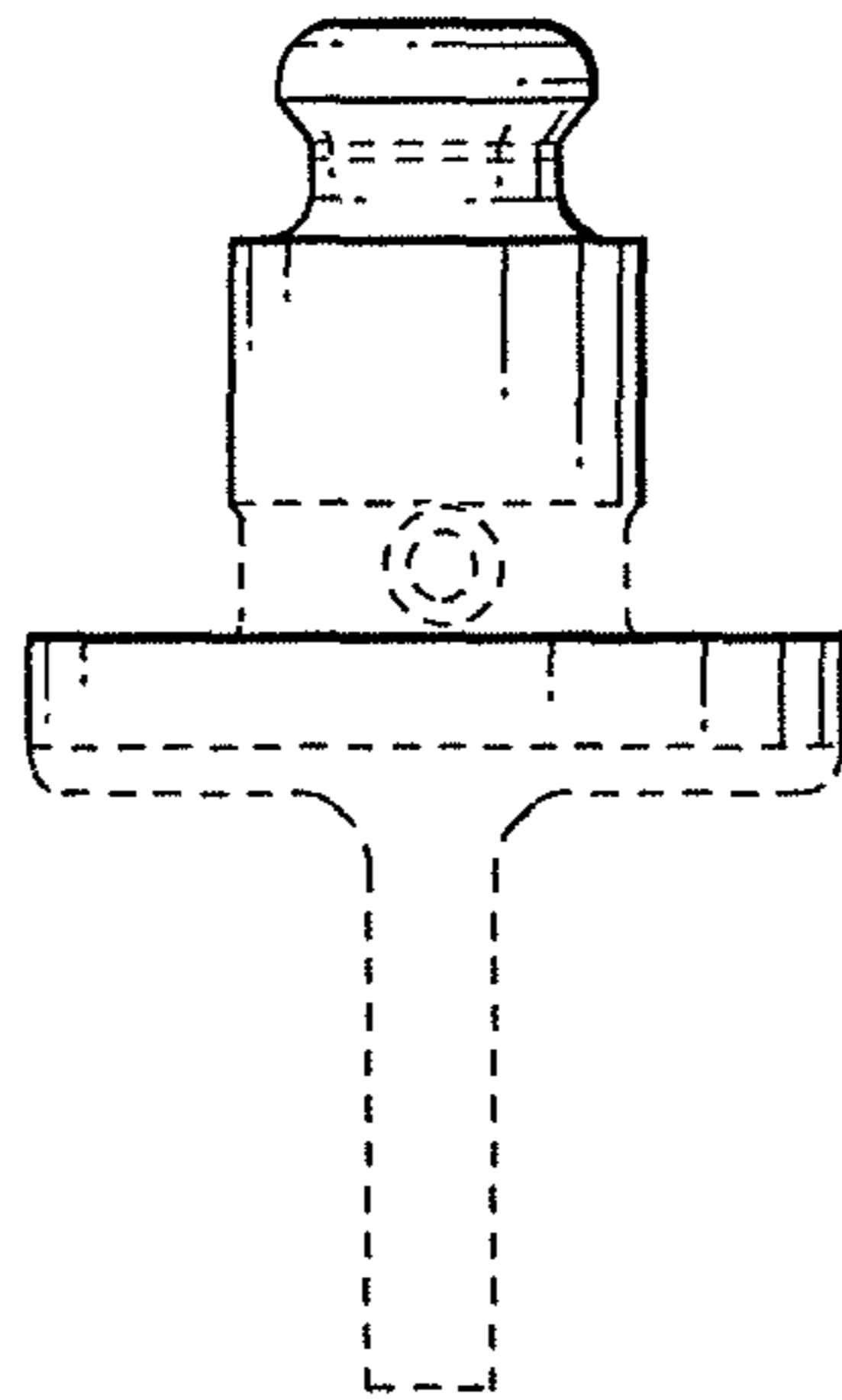


FIG. 13

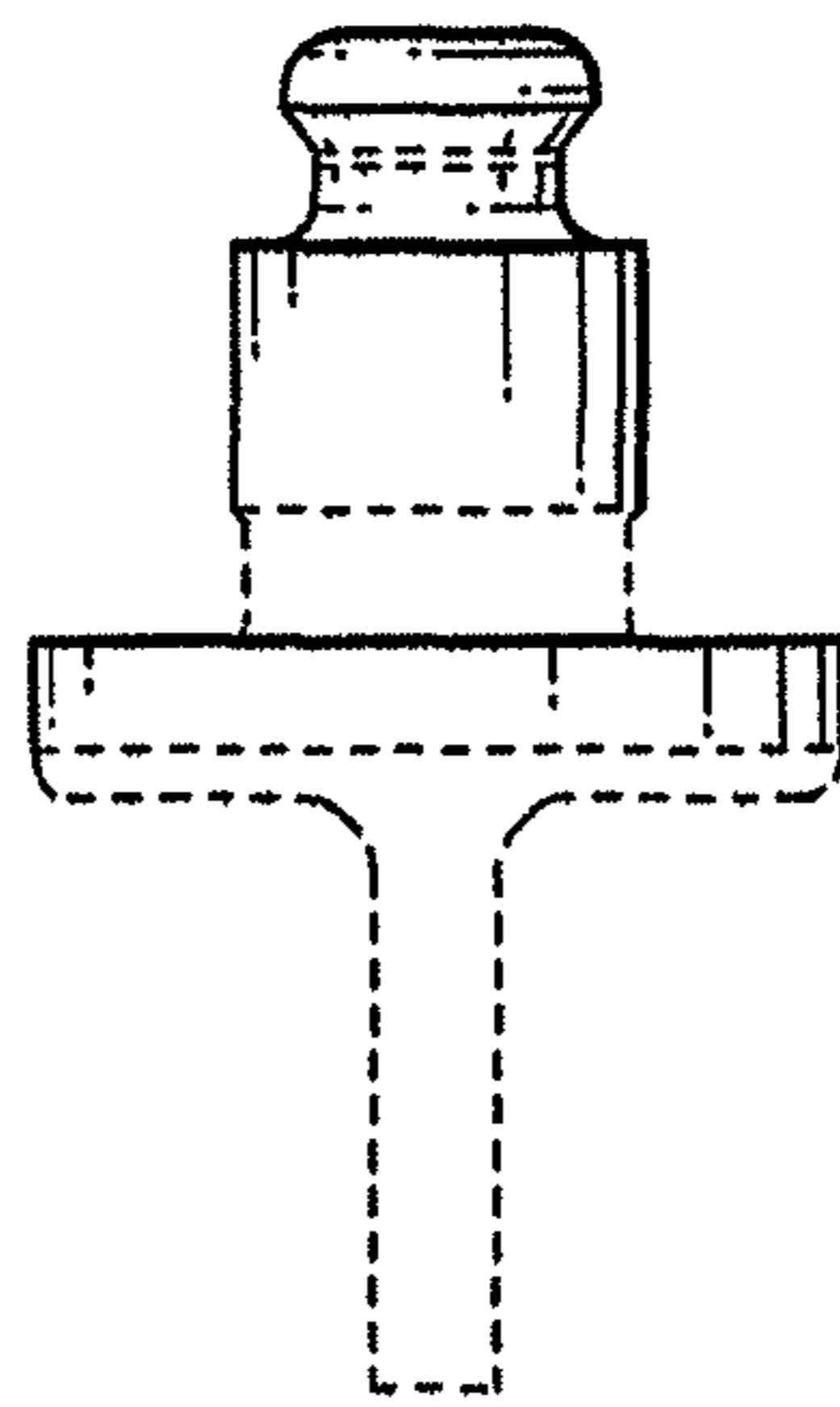


FIG. 14