

US00D690332S

(12) **United States Design Patent**
Morehead et al.

(10) **Patent No.:** **US D690,332 S**
(45) **Date of Patent:** **** Sep. 24, 2013**

(54) **PUNCH TOOL**

5,044,244 A * 9/1991 Olson 83/686
5,746,104 A * 5/1998 Russell et al. 83/698.71
5,887,502 A * 3/1999 Yamaguchi et al. 83/76

(75) Inventors: **John H. Morehead**, White Bear Lake,
MN (US); **Kevin A. Johnston**, Deer
Park, WI (US)

(Continued)

(73) Assignee: **Wilson Tool International Inc.**, White
Bear Lake, MN (US)

OTHER PUBLICATIONS

(**) Term: **14 Years**

Pages from Trumpf Tooling website, retrieved from the
Internet: <URL: "http://www.bing.com/images/search?q=trumpf+
punches&view=detail&id=8485A1BC7C5B730800D57B118A
806DCD148FDB6A&first=1&adlt=strict," believed to be available
more than one year prior to the filing of the instant application, (2
pgs.).

(21) Appl. No.: **29/420,734**

Primary Examiner — Patricia Palasik

(22) Filed: **May 11, 2012**

(74) *Attorney, Agent, or Firm* — Fredrikson & Byron, P.A.

Related U.S. Application Data

(57) **CLAIM**

We claim the ornamental design for a punch tool, as shown
and described.

(63) Continuation of application No. 13/294,754, filed on
Nov. 11, 2011.

DESCRIPTION

(51) **LOC (9) Cl.** **15-09**

FIG. 1 is a perspective view of our new design for a punch
tool;

(52) **U.S. Cl.**

USPC **D15/128**

FIG. 2 is another perspective view thereof;

(58) **Field of Classification Search**

USPC D8/98; D15/128, 138; D19/65,
D19/72; 29/240, 256, 264; 30/366, 367;
279/96, 100, 101, 102; 403/16

FIG. 3 is a bottom view thereof;

FIG. 4 is a side view thereof, the opposite side view being a
mirror image thereof;

See application file for complete search history.

FIG. 5 is a top view thereof;

FIG. 6 is a front view thereof;

FIG. 7 is a rear view thereof;

(56) **References Cited**

U.S. PATENT DOCUMENTS

199,715 A * 1/1878 Jenkins 83/688
D146,899 S * 6/1947 Daniels D8/78
2,522,440 A * 9/1950 Freter 72/464
D161,810 S * 2/1951 Alexander D8/75
2,927,492 A * 3/1960 Porter 83/698.91
3,641,860 A * 2/1972 Whistler et al. 83/686
3,763,730 A * 10/1973 Ahlegian 83/521
4,273,015 A * 6/1981 Johnson 83/670
4,526,077 A * 7/1985 DeGuvera 83/686
D294,000 S * 2/1988 Friedrich D8/47
4,762,043 A * 8/1988 Sneed 83/688

FIG. 8 is a perspective view of a second embodiment of our
new design for a punch tool;

FIG. 9 is another perspective view thereof;

FIG. 10 is a bottom view thereof;

FIG. 11 is a side view thereof, the opposite side view being a
mirror image thereof;

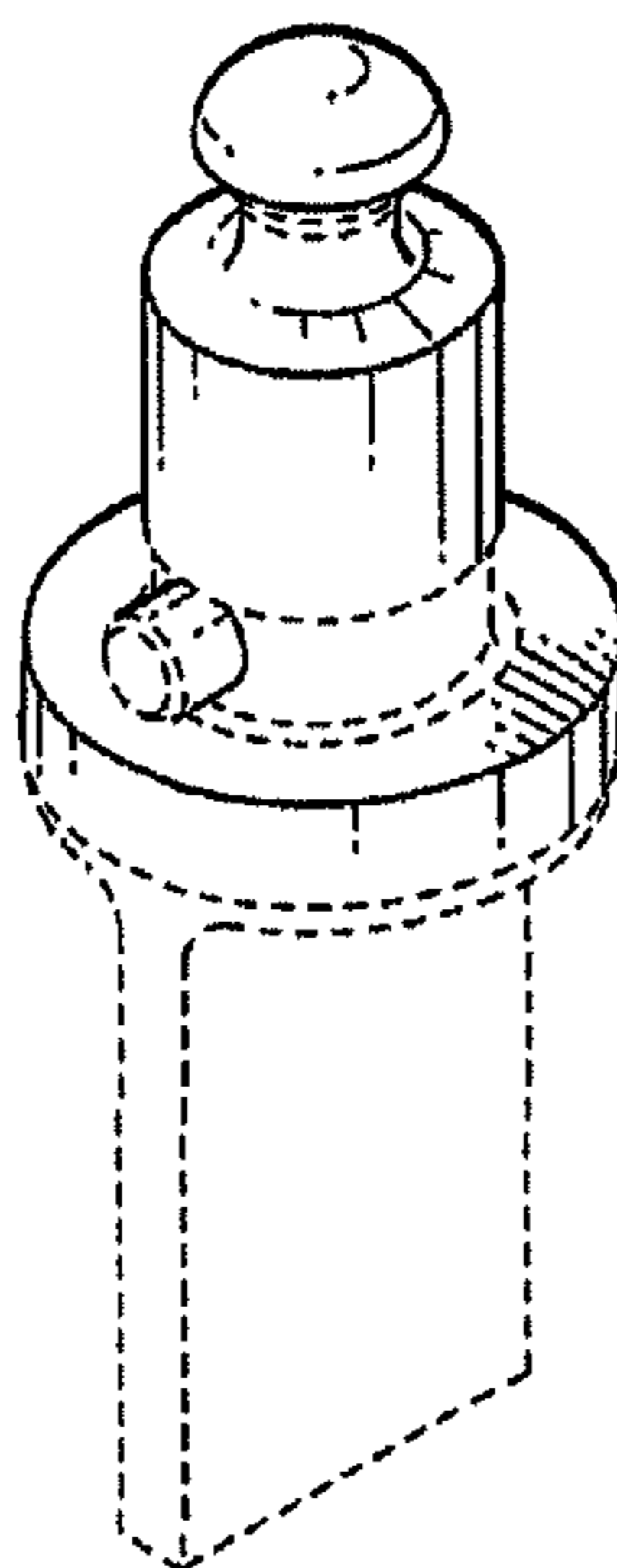
FIG. 12 is a top view thereof;

FIG. 13 is a front view thereof; and,

FIG. 14 is a rear view thereof.

The broken lines showing the rear end of the punch tool form
no part of the claimed design.

1 Claim, 14 Drawing Sheets



(56)

References Cited

U.S. PATENT DOCUMENTS

D408,251 S * 4/1999 Gilbert D8/75
D413,780 S * 9/1999 Beam D8/75
D444,693 S * 7/2001 Griese et al. D8/107

6,725,756 B2 * 4/2004 Brenneke 83/697
D526,667 S * 8/2006 Sakamoto et al. D15/128
2003/0075034 A1 * 4/2003 Brenneke 83/684
2010/0107846 A1 5/2010 Lee et al.

* cited by examiner

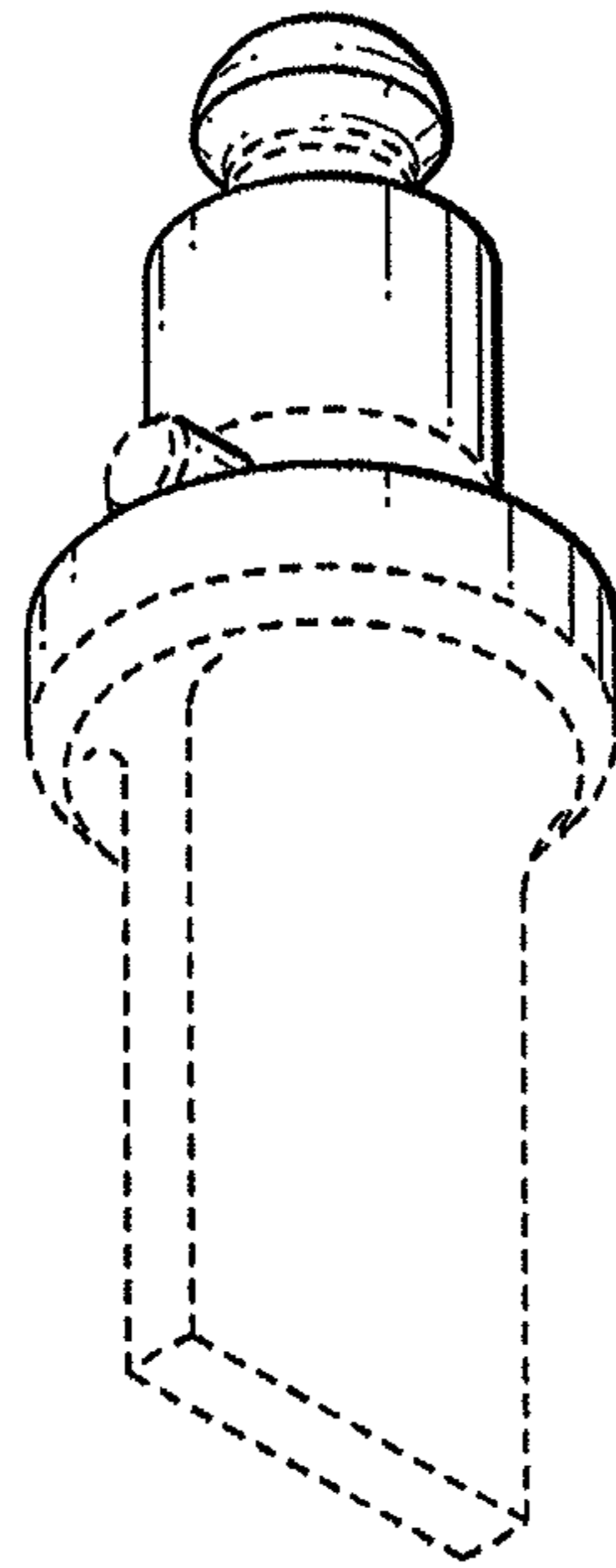


FIG. 1

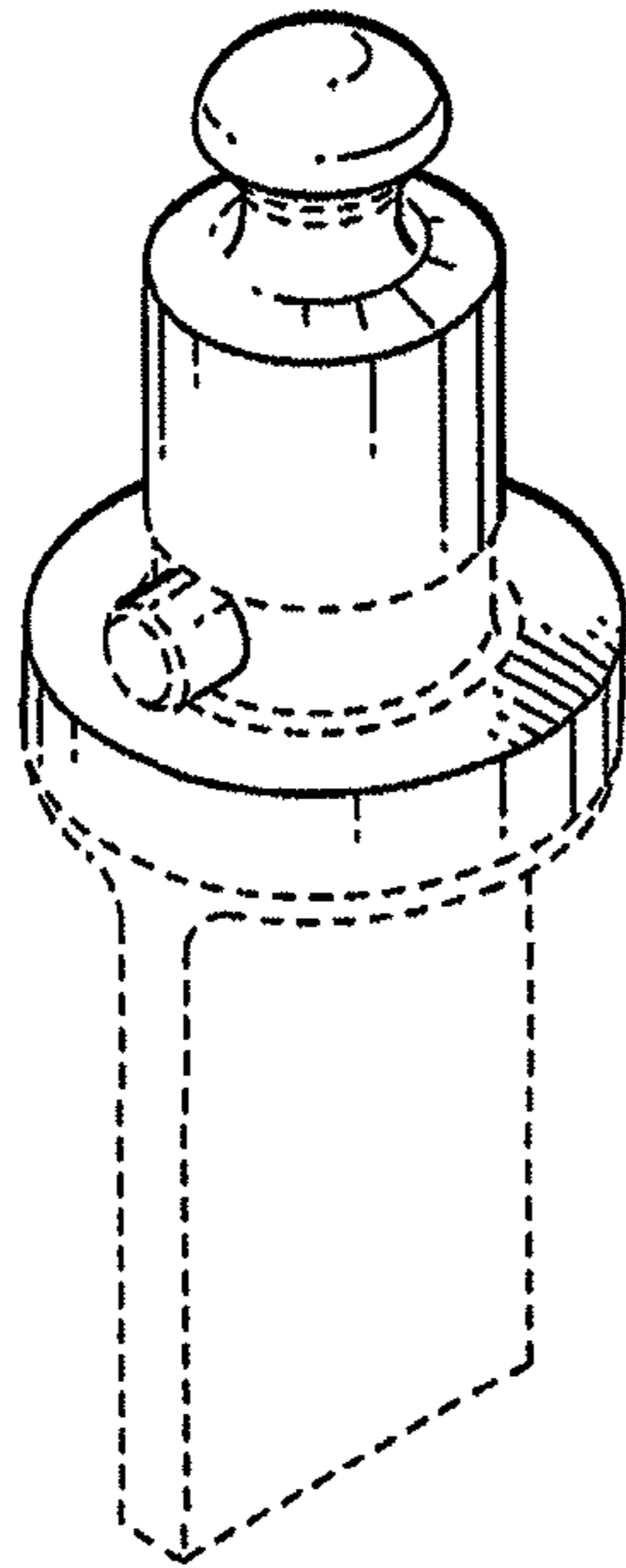


FIG. 2

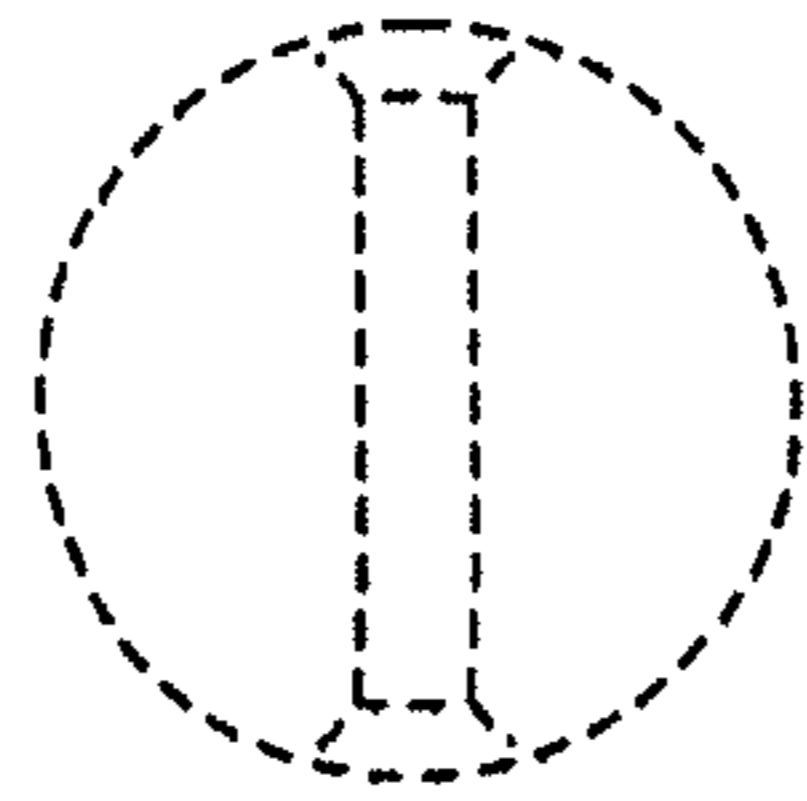


FIG. 3

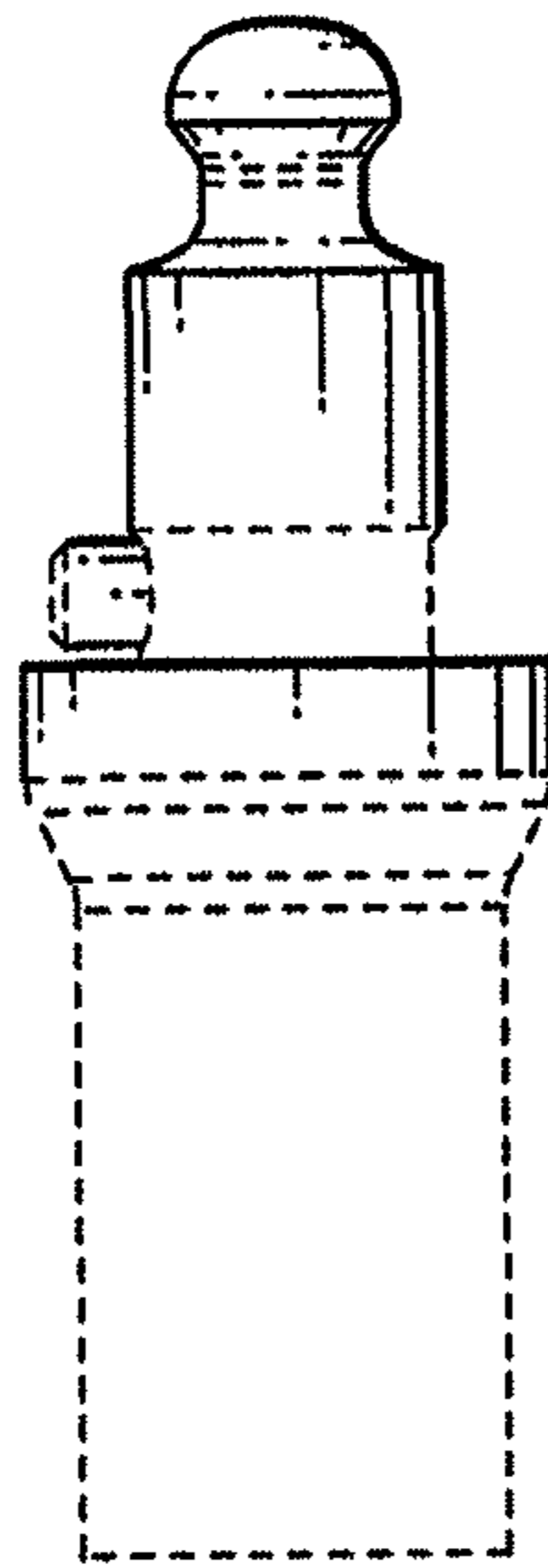


FIG. 4

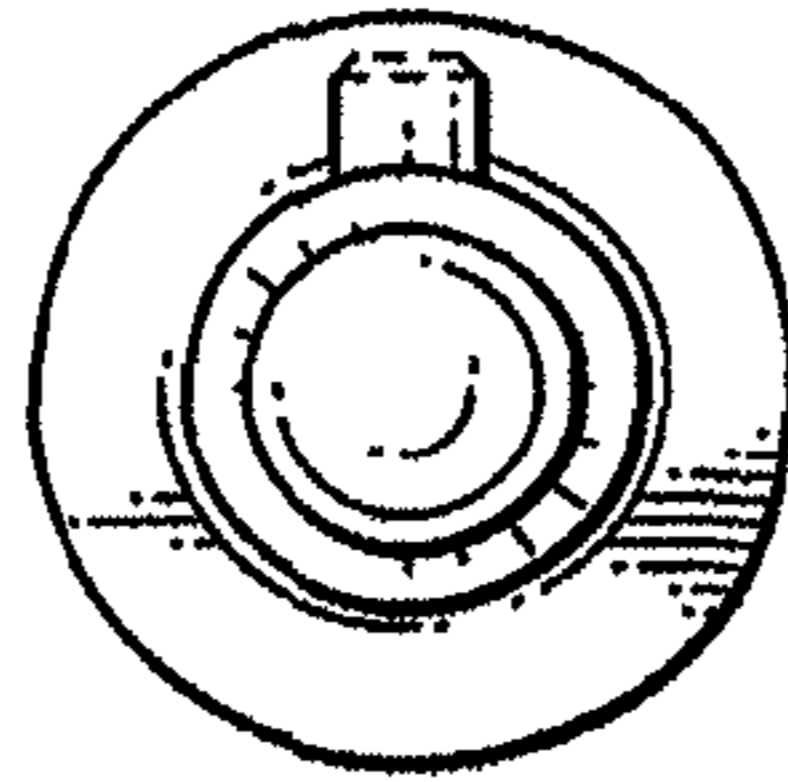


FIG. 5

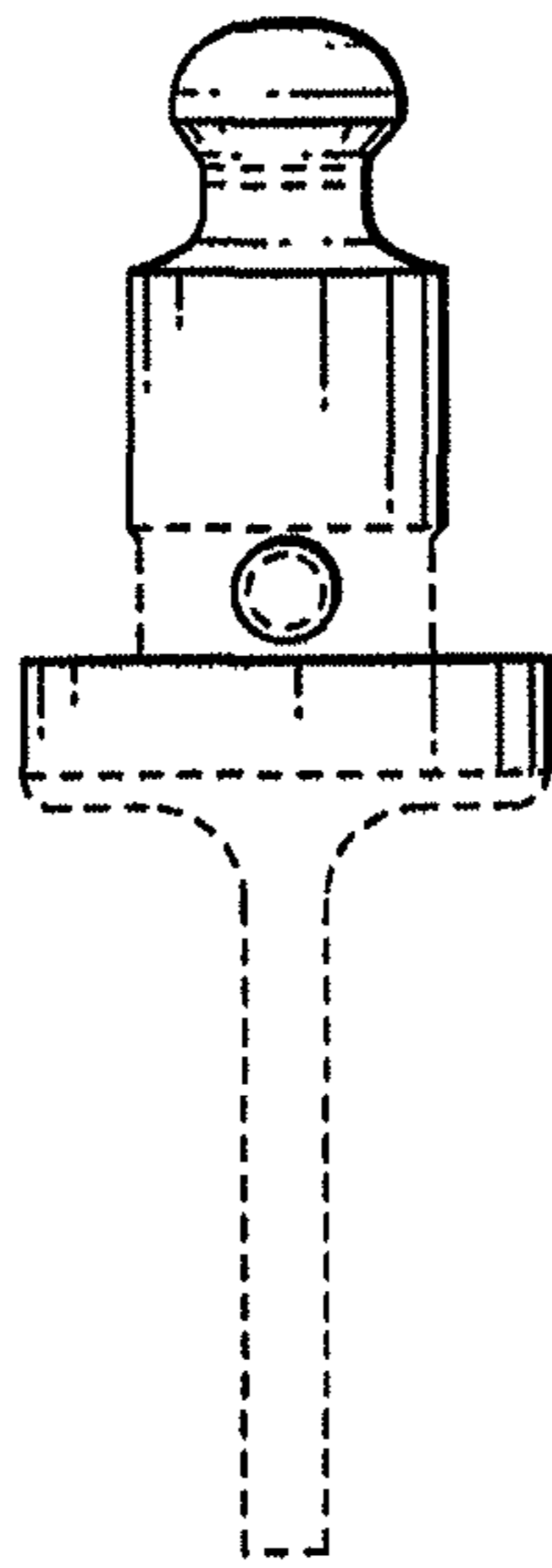


FIG. 6

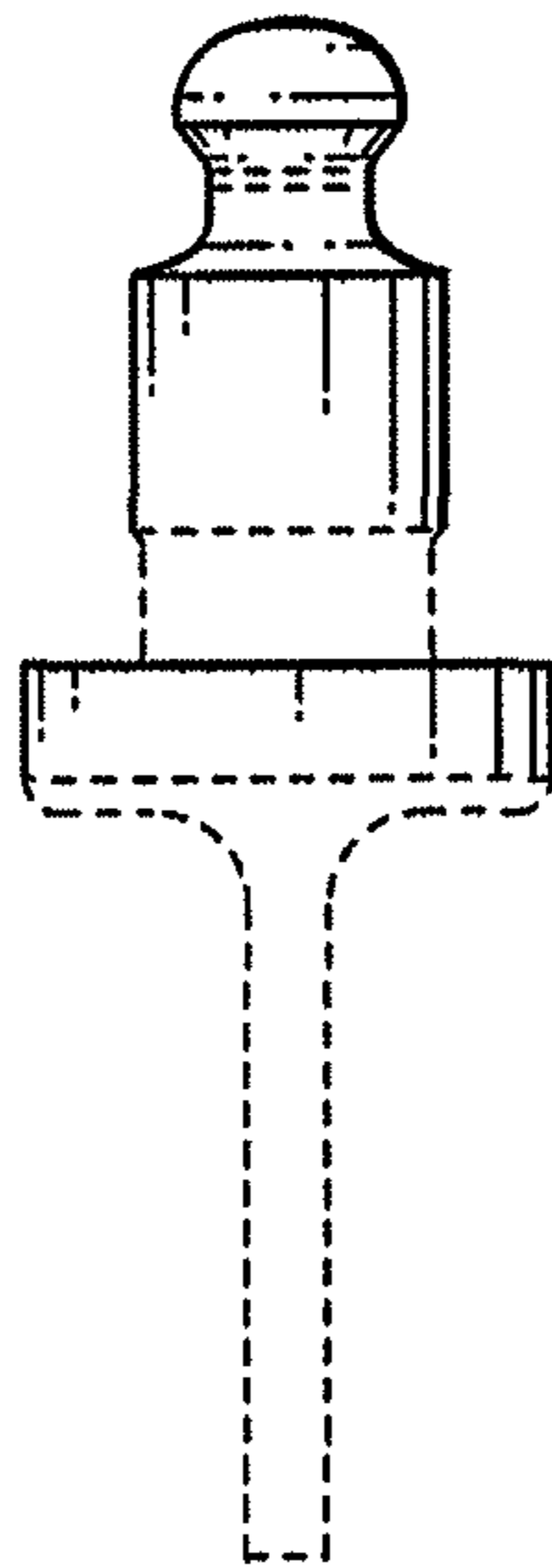


FIG. 7

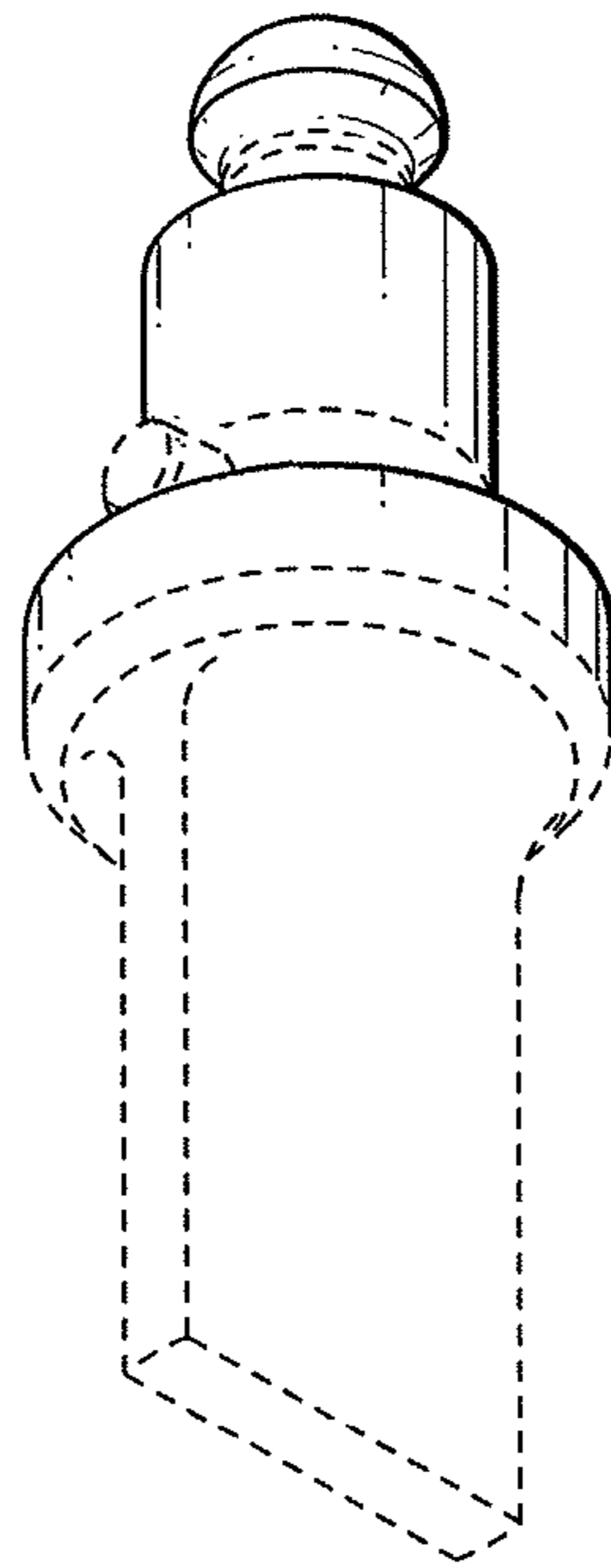


FIG. 8

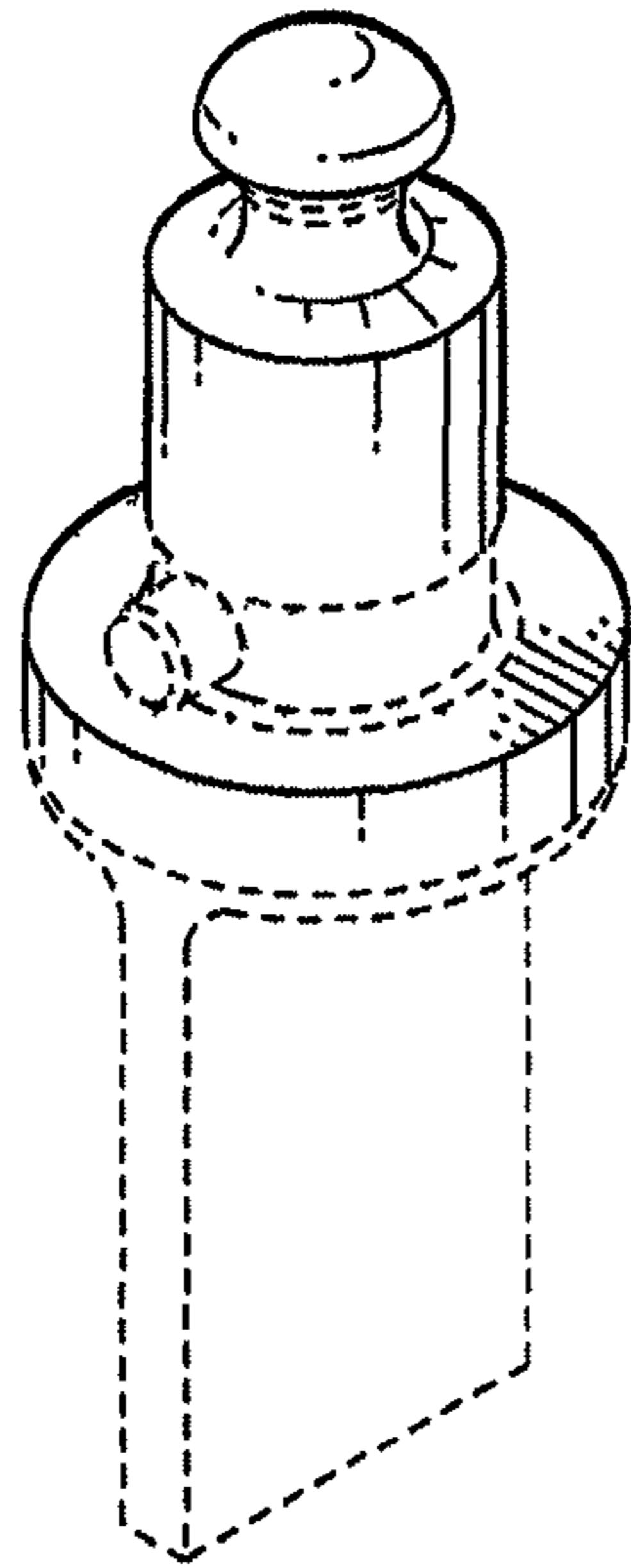


FIG. 9

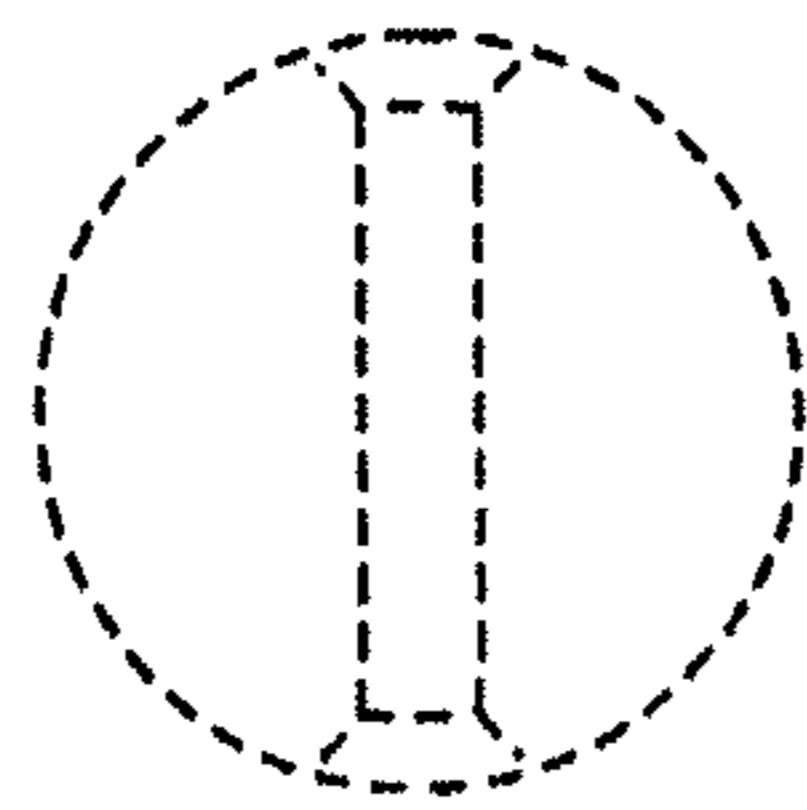


FIG. 10

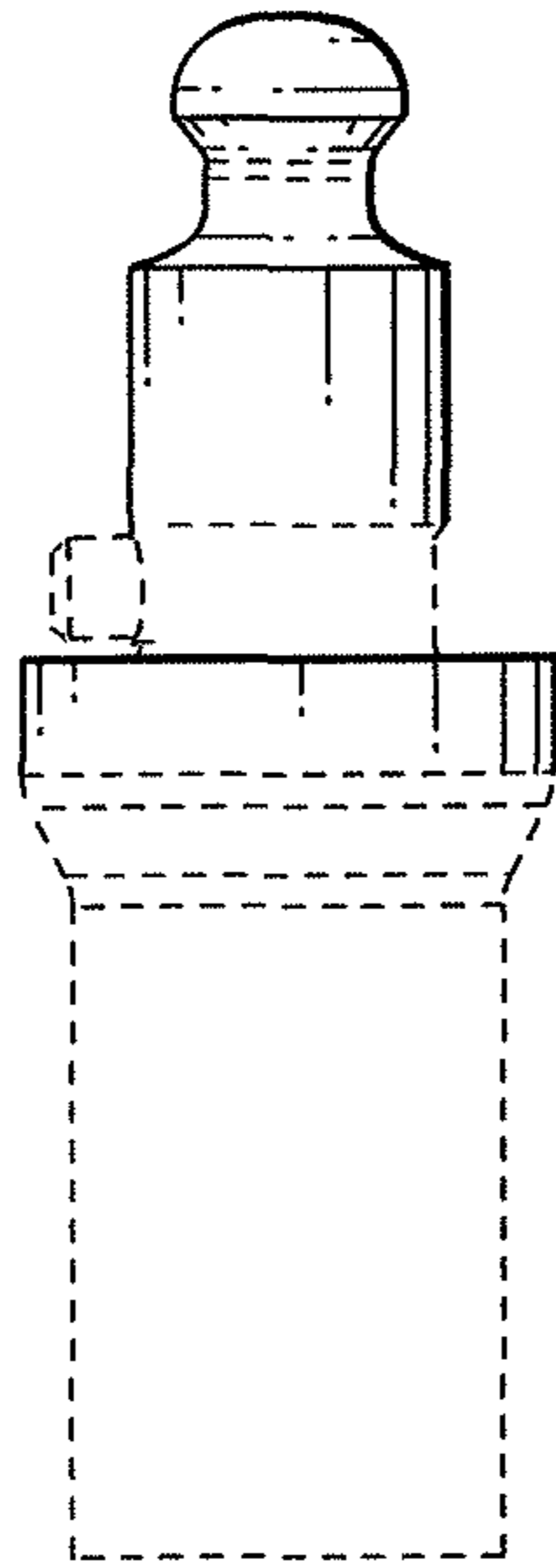


FIG. 11

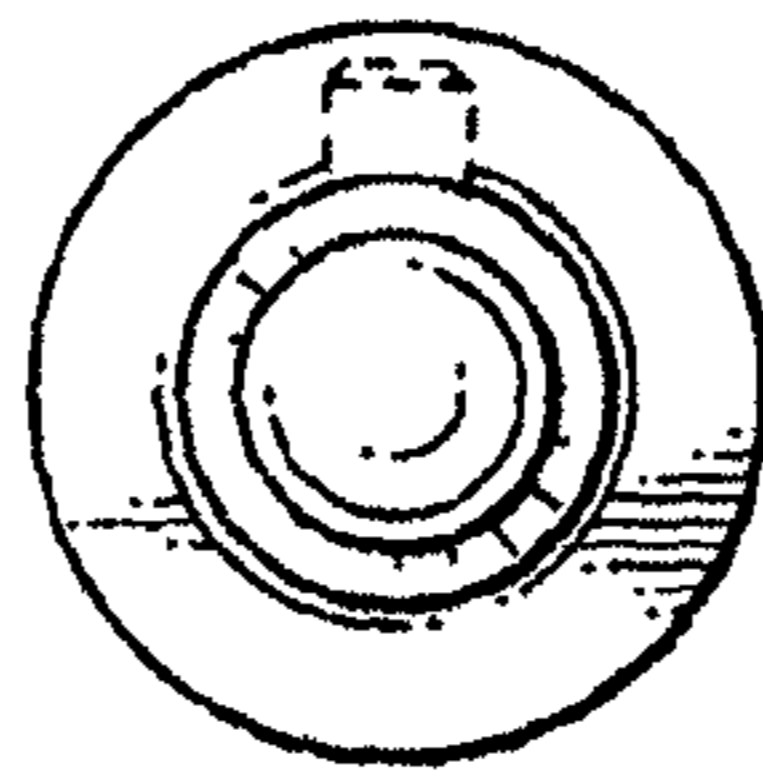


FIG. 12

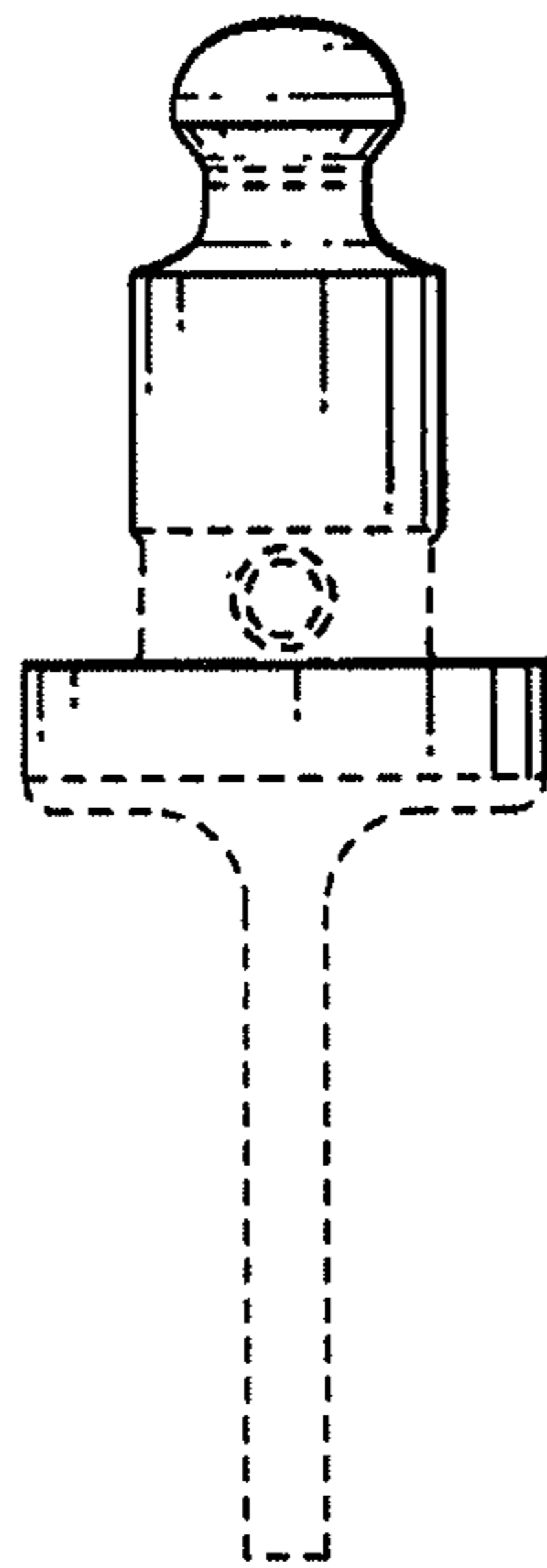


FIG. 13

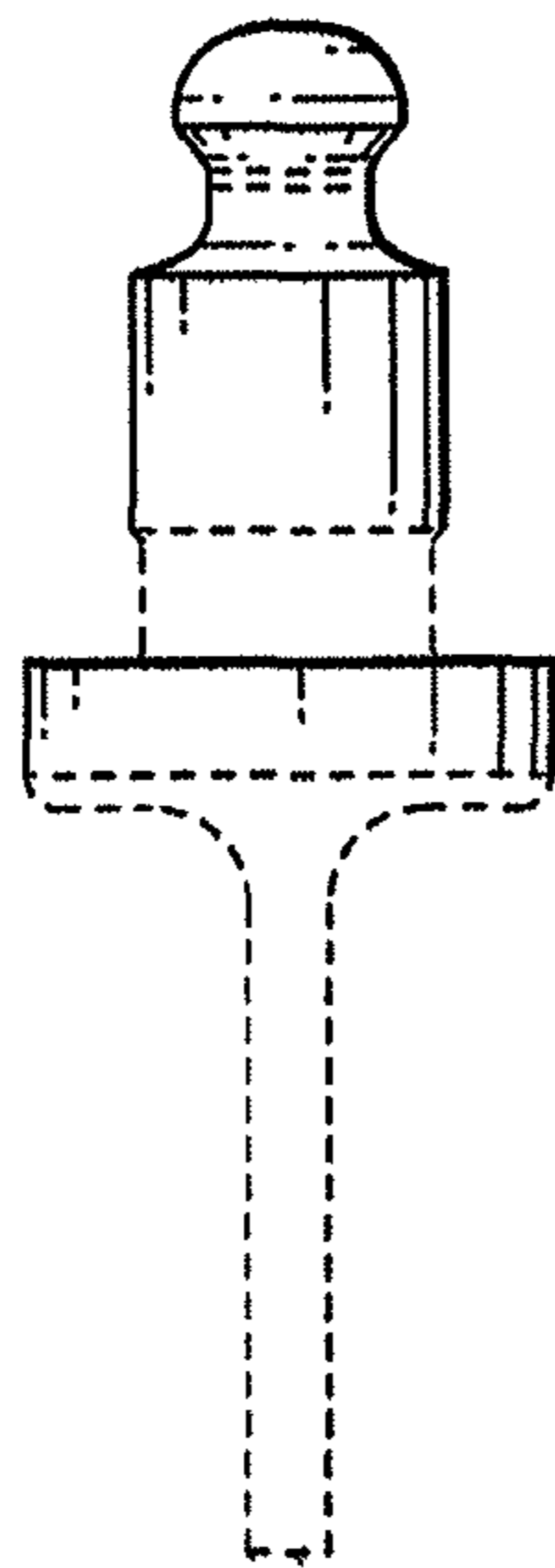


FIG. 14