



US00D690327S

(12) **United States Design Patent**
Kim et al.

(10) **Patent No.:** **US D690,327 S**

(45) **Date of Patent:** **** Sep. 24, 2013**

(54) **BONNET COVER FOR A FARM TRACTOR**

(71) Applicant: **Daedong Industrial Co., Ltd.**, Daegu (KR)

(72) Inventors: **Jae Phil Kim**, Changnyeong-gun (KR);
Jin Mok Park, Changnyeong-gun (KR)

(73) Assignee: **Daedong Industrial Co., Ltd.**, Daegu (KR)

(**) Term: **14 Years**

(21) Appl. No.: **29/437,506**

(22) Filed: **Nov. 16, 2012**

(30) **Foreign Application Priority Data**

May 16, 2012 (KR) 30-2012-0024200

(51) **LOC (9) Cl.** **15-03**

(52) **U.S. Cl.**
USPC **D15/31**

(58) **Field of Classification Search**
USPC D15/10, 11, 13-17, 28, 22-26, 31;
D12/173; 56/13.3, 13.4, 15.8, 15.9, 320.1;
180/89.1, 89.12, 900, 69.2, 68.1, 69.1
See application file for complete search history.

(56) **References Cited**

U.S. PATENT DOCUMENTS

D297,330 S * 8/1988 Monehaie et al. D15/31
D381,025 S * 7/1997 Bataille D15/31
D448,037 S * 9/2001 Westimayer et al. D15/31
D483,383 S * 12/2003 Crookes et al. D15/31
D488,488 S * 4/2004 Montgomery et al. D15/31
D521,532 S * 5/2006 Higashikawa D15/31

D537,455 S * 2/2007 Kuwae et al. D15/31
D554,669 S * 11/2007 Crookes et al. D15/31
D570,382 S * 6/2008 Higashikawa D15/31
D581,955 S * 12/2008 Matsumoto et al. D15/31
D586,828 S * 2/2009 Staines et al. D15/31
D591,777 S * 5/2009 Kokitkar et al. D15/31
D596,205 S * 7/2009 Kawashiri et al. D15/31
D605,669 S * 12/2009 Matsumoto et al. D15/31
D624,944 S * 10/2010 Major D15/31
D624,945 S * 10/2010 Major D15/31
D631,489 S * 1/2011 Booth et al. D15/31
D632,312 S * 2/2011 Booth et al. D15/31
D642,598 S * 8/2011 Wikner et al. D15/31
D665,429 S * 8/2012 Hickman et al. D15/31
2010/0147613 A1 * 6/2010 Jansen et al. 180/69.2

* cited by examiner

Primary Examiner — Mark Goodwin

(74) *Attorney, Agent, or Firm* — LRK Patent Law Firm

(57) **CLAIM**

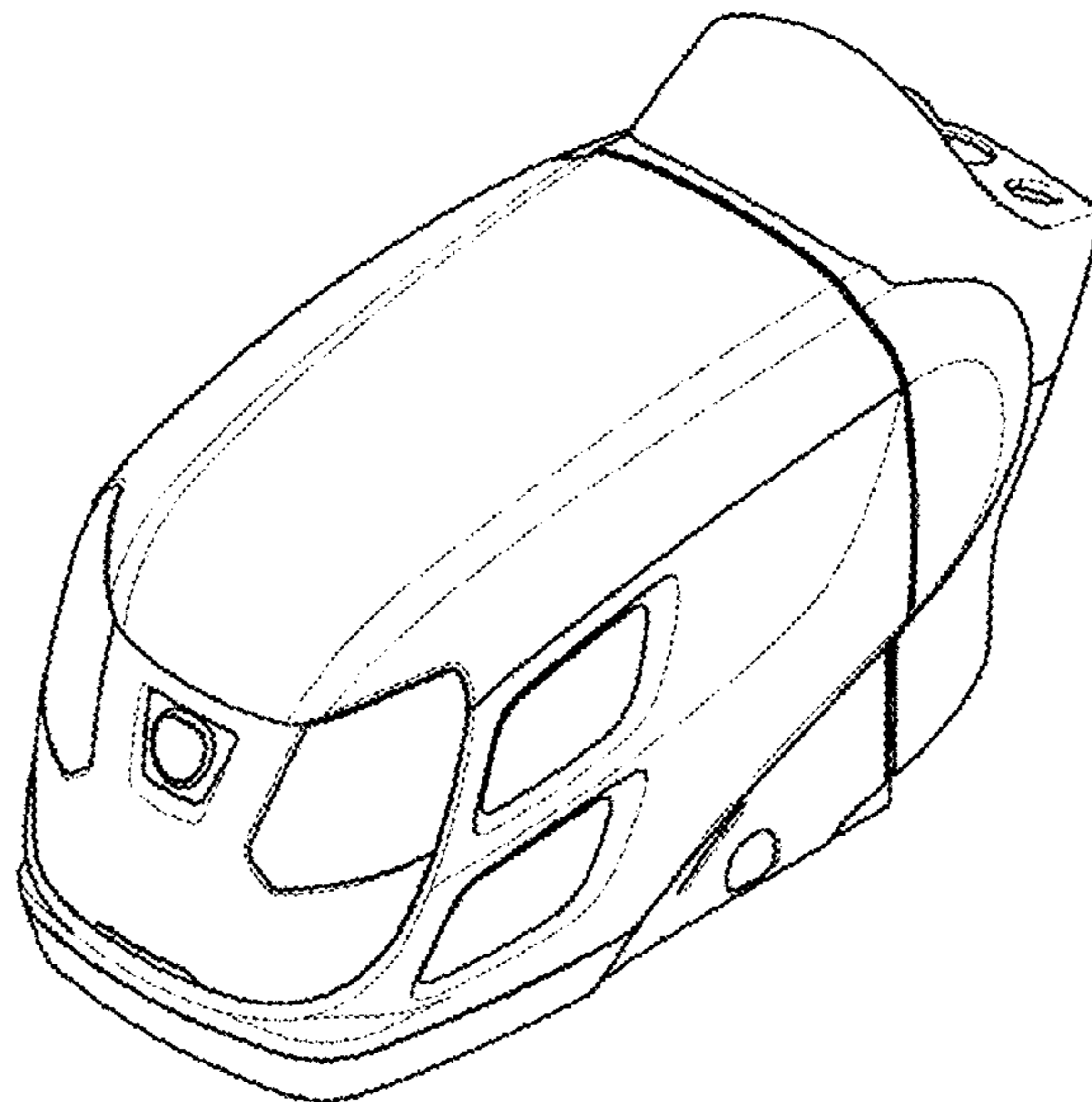
The ornamental design for a bonnet cover for a farm tractor, as shown and described.

DESCRIPTION

FIG. 1 is a perspective view of the bonnet cover for a farm tractor of my new design;
FIG. 2 is a front elevational view thereof;
FIG. 3 is a rear elevational view thereof;
FIG. 4 is a left side elevational view thereof;
FIG. 5 is a right side elevational view thereof;
FIG. 6 is a top plan view thereof; and,
FIG. 7 is a bottom plan view thereof.

The broken line showing in FIGS. 3 and 7 is included for the purpose of illustrating a portion of a bonnet cover for a farm tractor and forms no part of the claimed design.

1 Claim, 7 Drawing Sheets



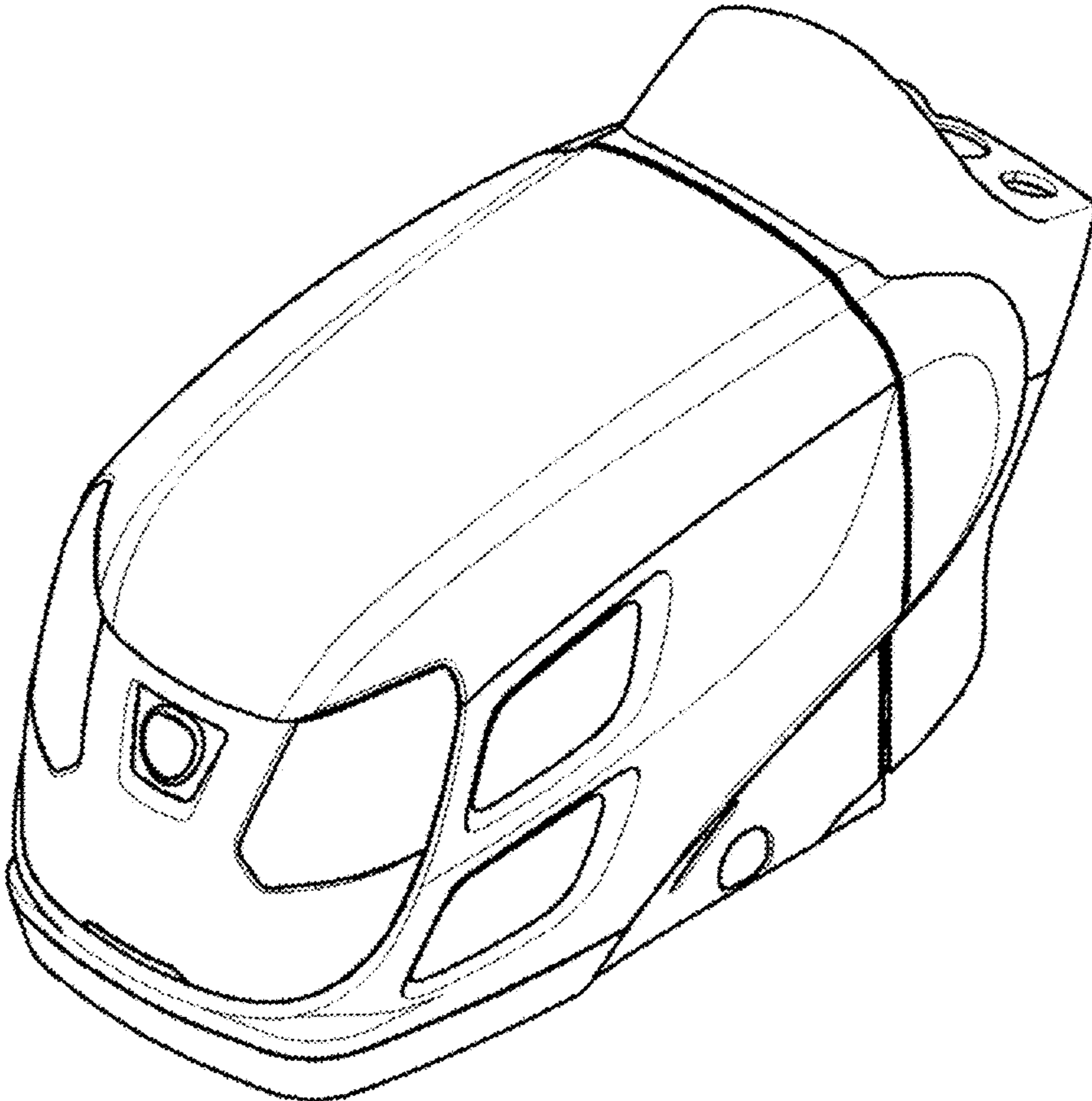


FIG. 1

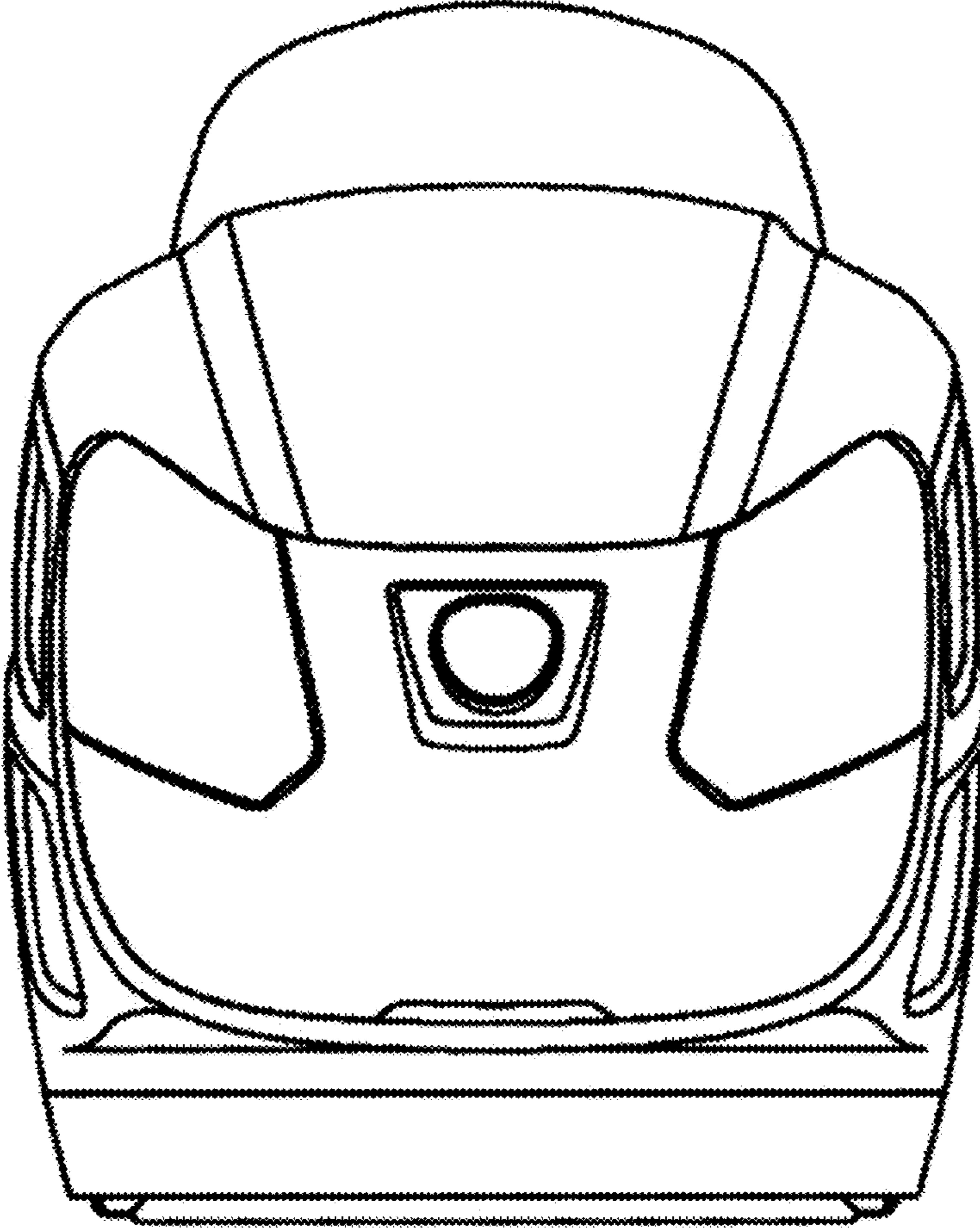


FIG. 2

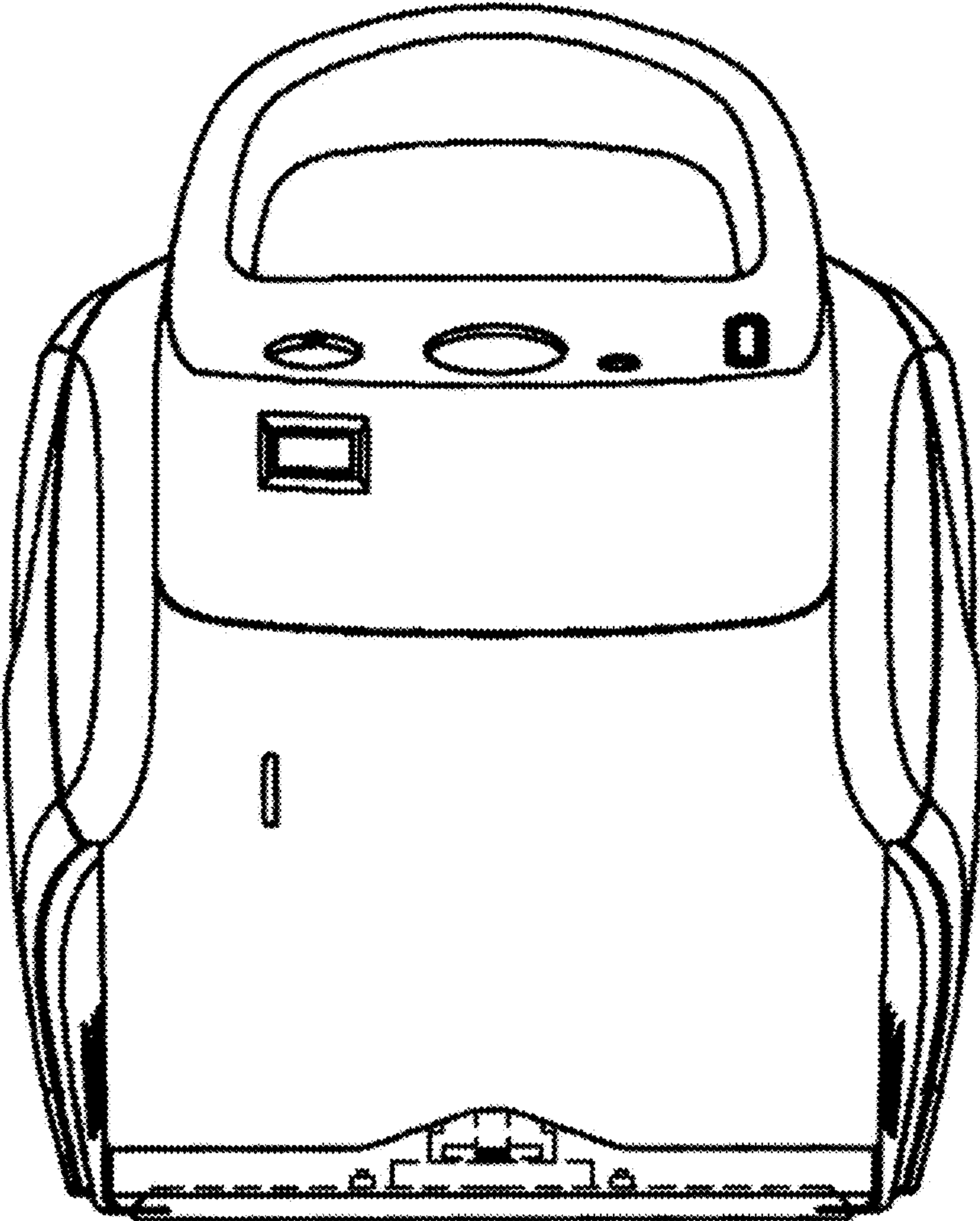


FIG. 3

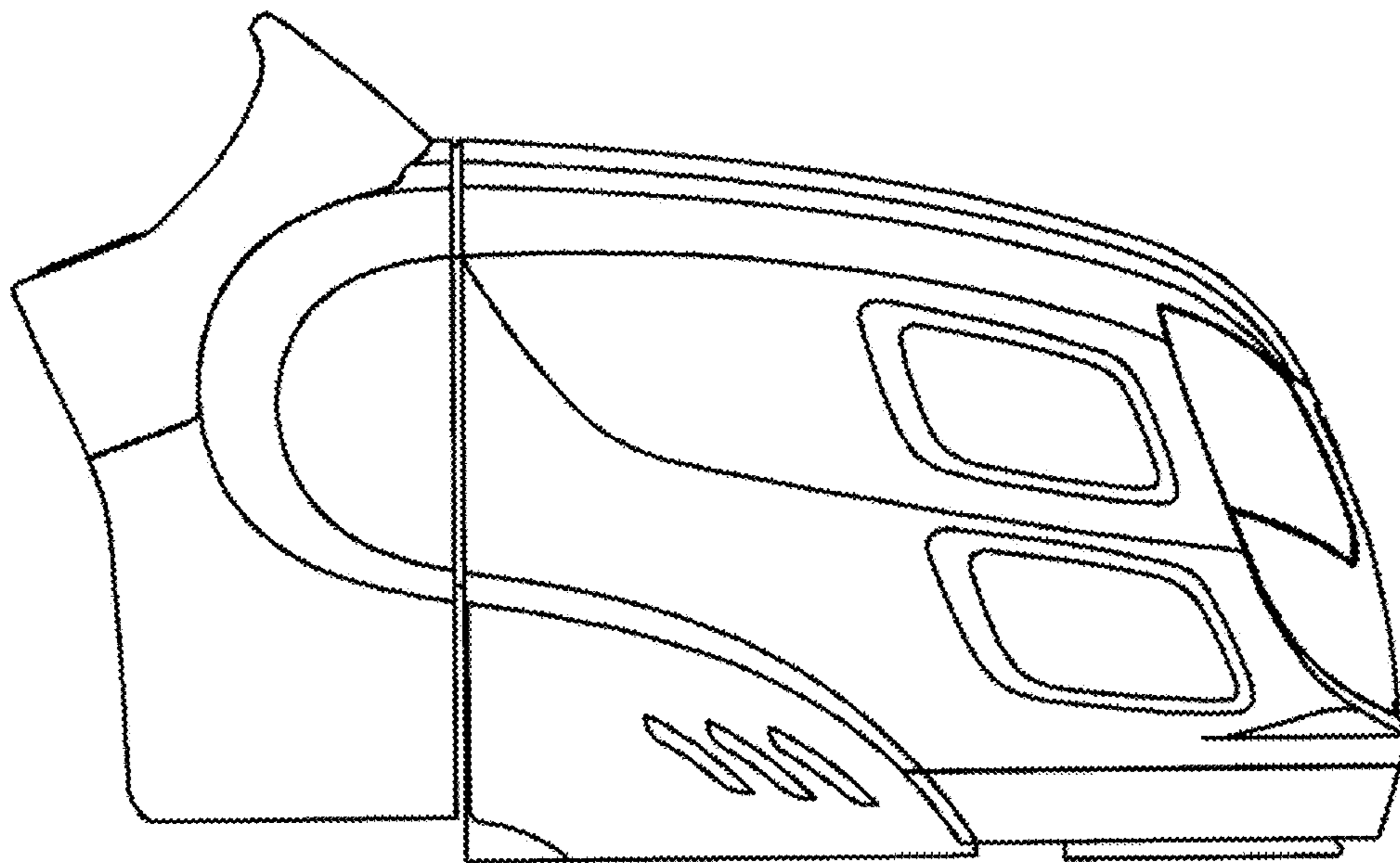


FIG. 4

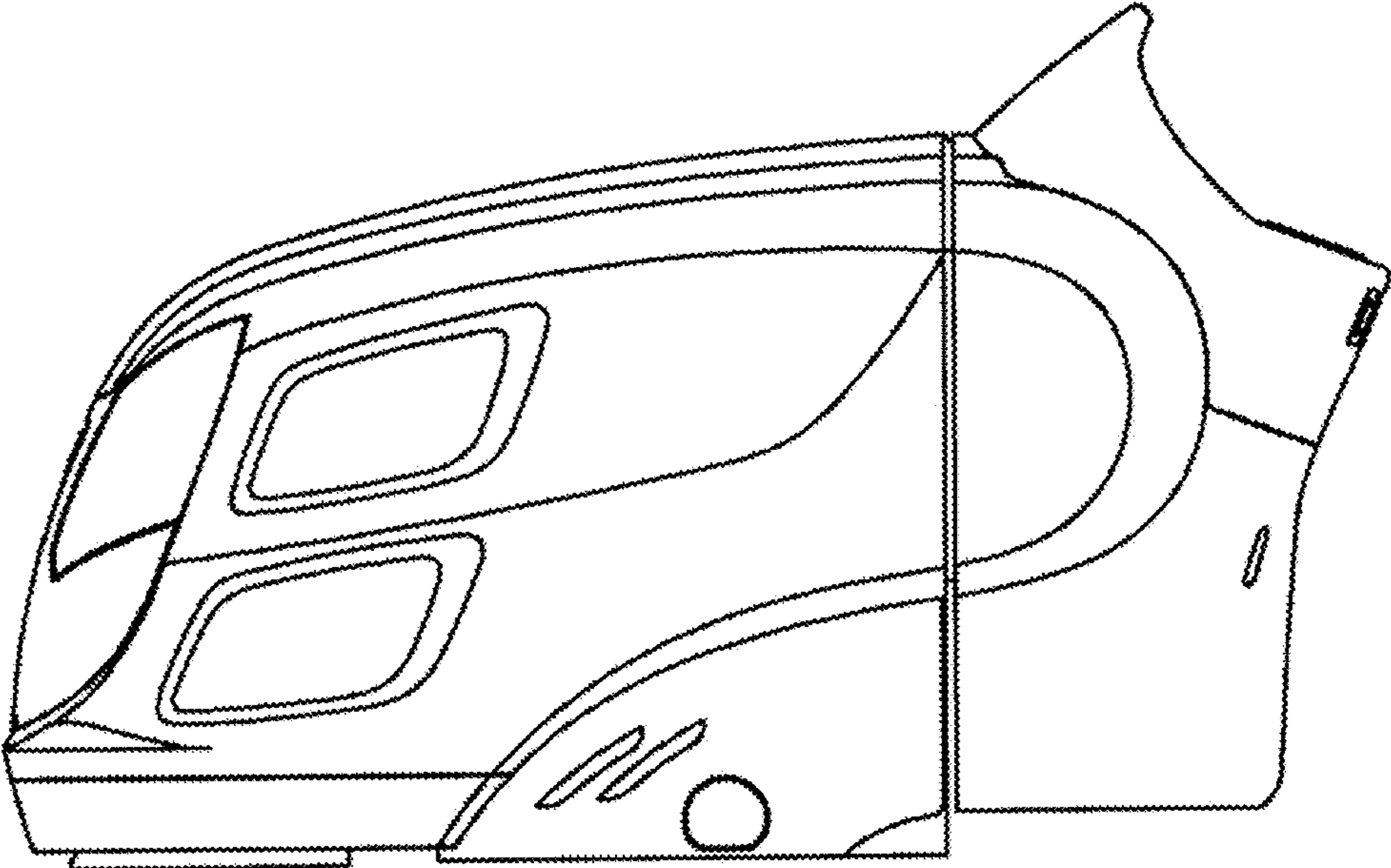


FIG. 5

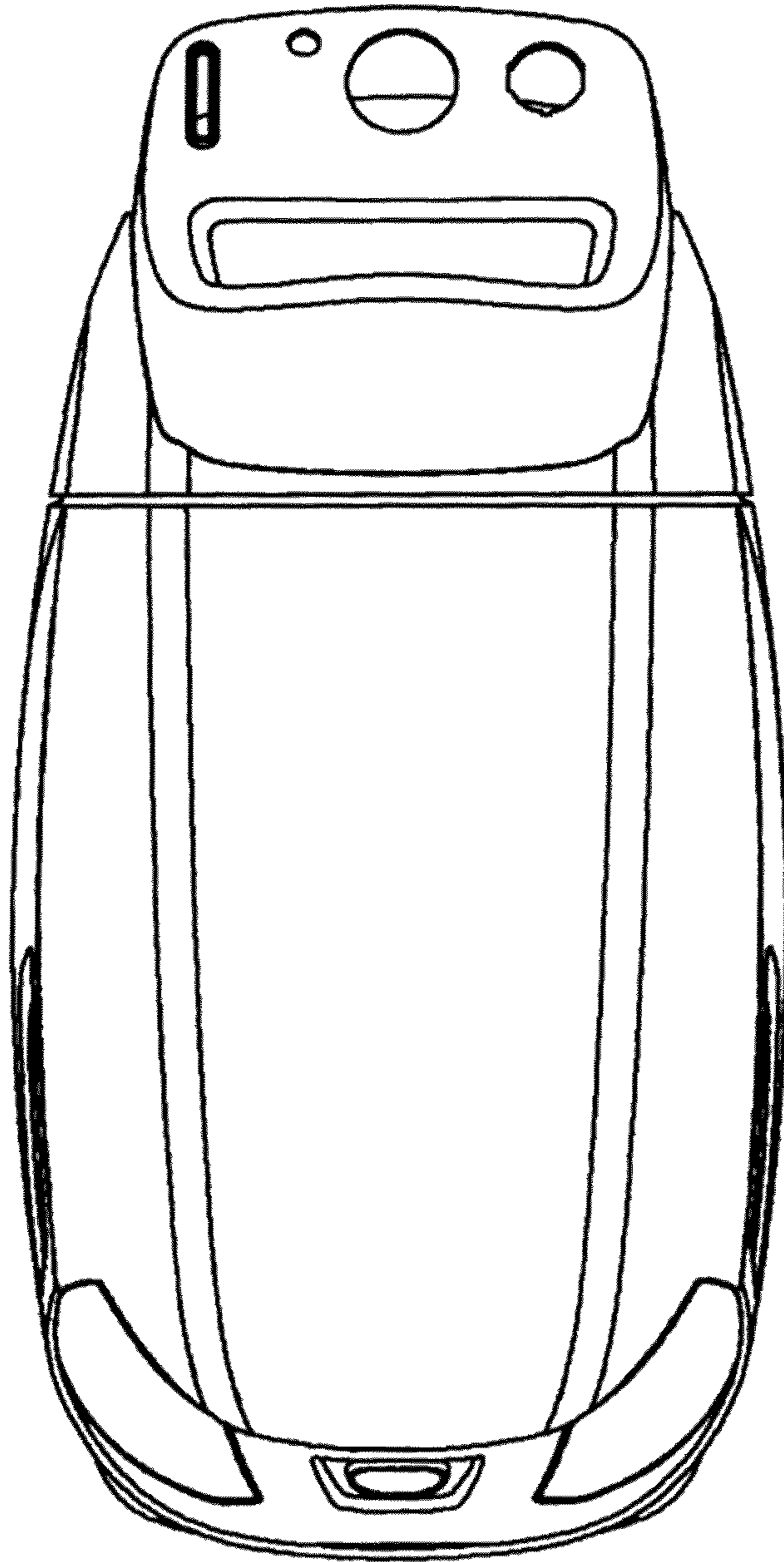


FIG. 6

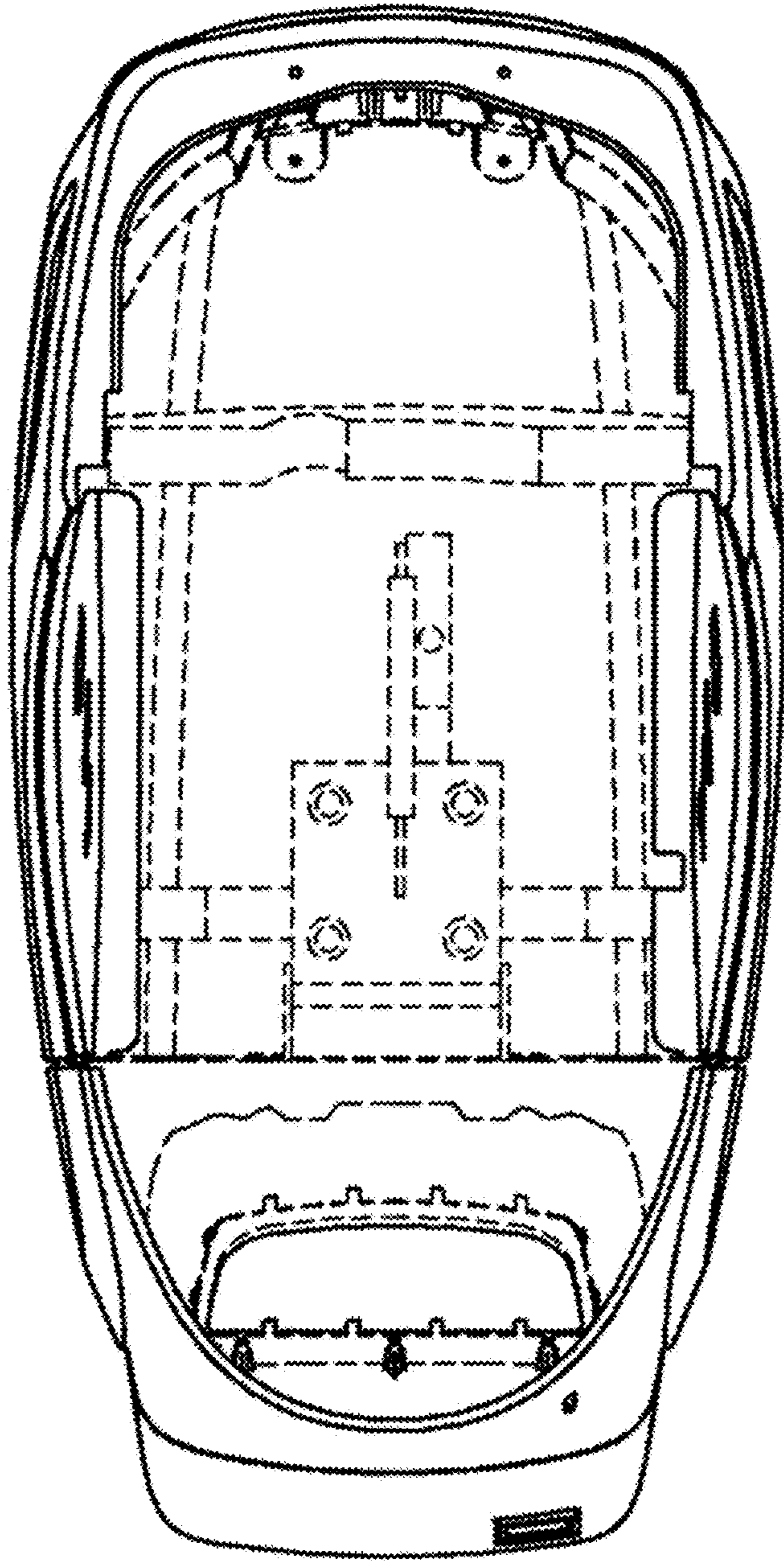


FIG. 7