

US00D690323S

(12) **United States Design Patent**
Burman et al.

(10) **Patent No.:** **US D690,323 S**

(45) **Date of Patent:** **** Sep. 24, 2013**

(54) **PUMP**

(75) Inventors: **Jörgen Burman**, Solna (SE); **Viktor Bredwad**, Spånga (SE)

(73) Assignee: **Xylem IP Holdings LLC**, White Plains, NY (US)

(**) Term: **14 Years**

(21) Appl. No.: **29/424,393**

(22) Filed: **Jun. 12, 2012**

(30) **Foreign Application Priority Data**

Dec. 13, 2011 (EM) 001961590-0001

Dec. 13, 2011 (EM) 001961590-0002

(51) **LOC (9) Cl.** **15-02**

(52) **U.S. Cl.**
USPC **D15/7**

(58) **Field of Classification Search**
USPC D15/7-9; D23/231, 232, 225; 417/60, 417/235, 265, 321, 355, 358, 363, 359, 410.1, 417/415-416, 405, 900; 60/408, 412; 184/26-37; 415/140-147; 123/495, 509

See application file for complete search history.

(56) **References Cited**

U.S. PATENT DOCUMENTS

D440,230	S	*	4/2001	Craford et al.	D15/7
D440,231	S	*	4/2001	Craford et al.	D15/7
D576,640	S	*	9/2008	Sinico et al.	D15/7
D590,420	S	*	4/2009	Casalini	D15/7
D647,110	S	*	10/2011	Pages	D15/7
D667,466	S	*	9/2012	Barmore et al.	D15/7

* cited by examiner

Primary Examiner — Ralf Seifert

(74) *Attorney, Agent, or Firm* — Fox Rothschild LLP

(57) **CLAIM**

The ornamental design for a pump, as shown and described.

DESCRIPTION

FIG. 1 is a top perspective view of a pump in accordance with a preferred embodiment of our new design;

FIG. 2 is an elevational view thereof;

FIG. 3 is another elevational view thereof;

FIG. 4 is yet another elevational view thereof;

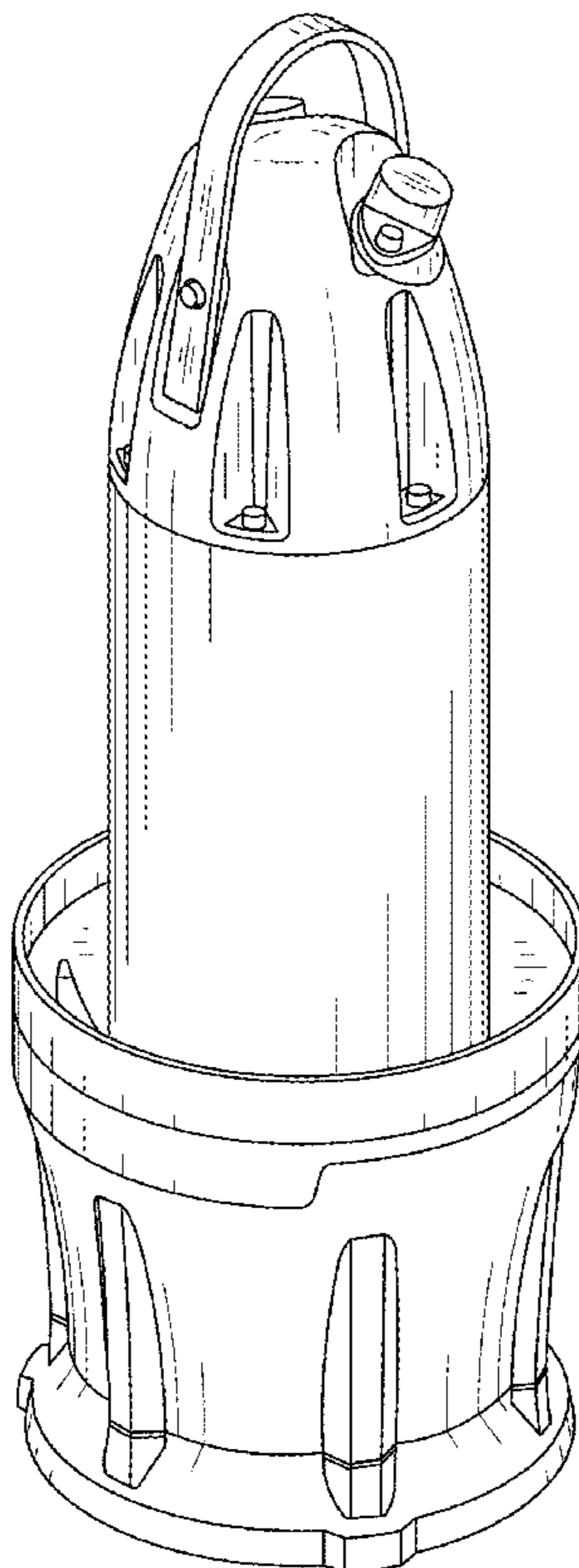
FIG. 5 is still a further elevational view thereof;

FIG. 6 is a bottom plan view thereof; and,

FIG. 7 is a top plan view thereof.

The broken lines in FIG. 6 are directed to environment and for illustrative purposes only, and form no part of the claimed design.

1 Claim, 6 Drawing Sheets



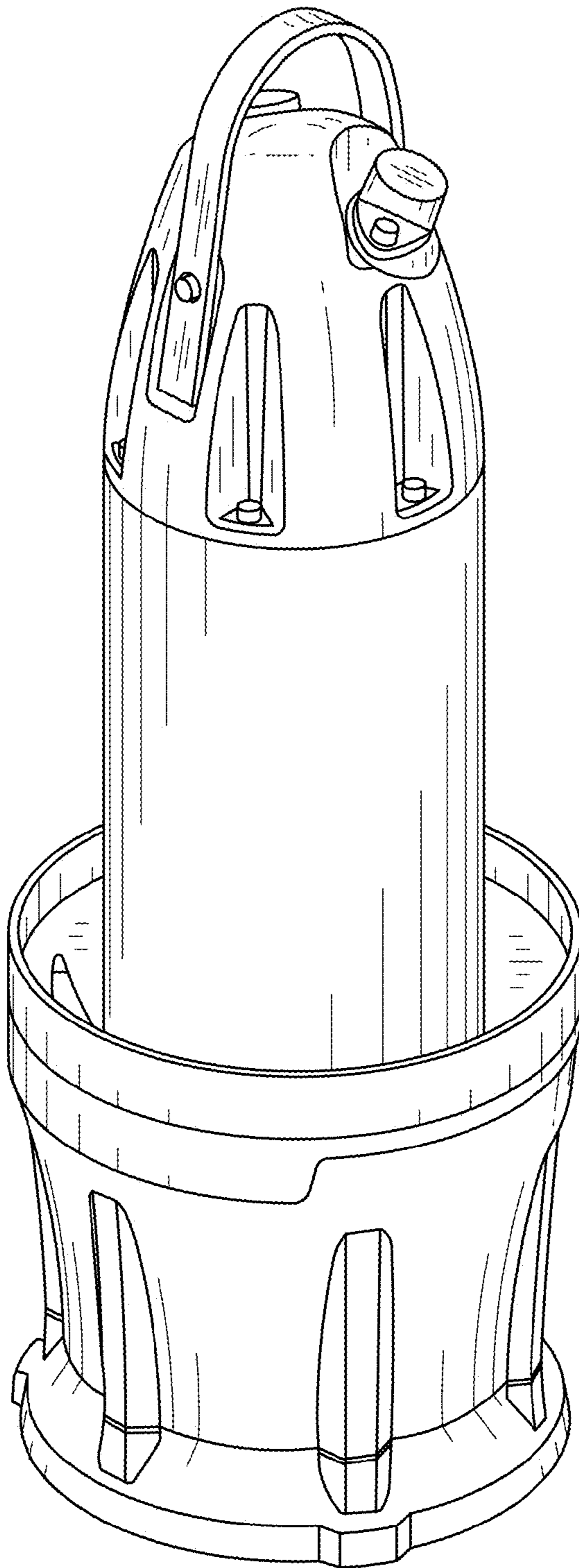


Fig. 1

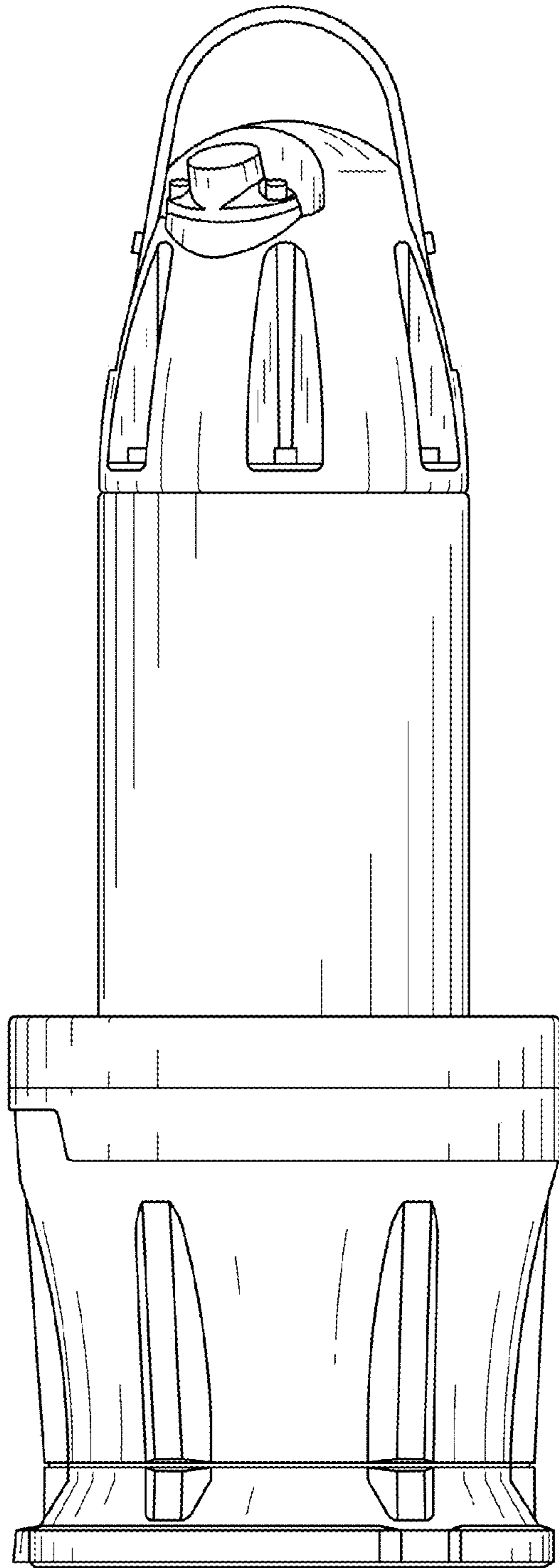


Fig. 2

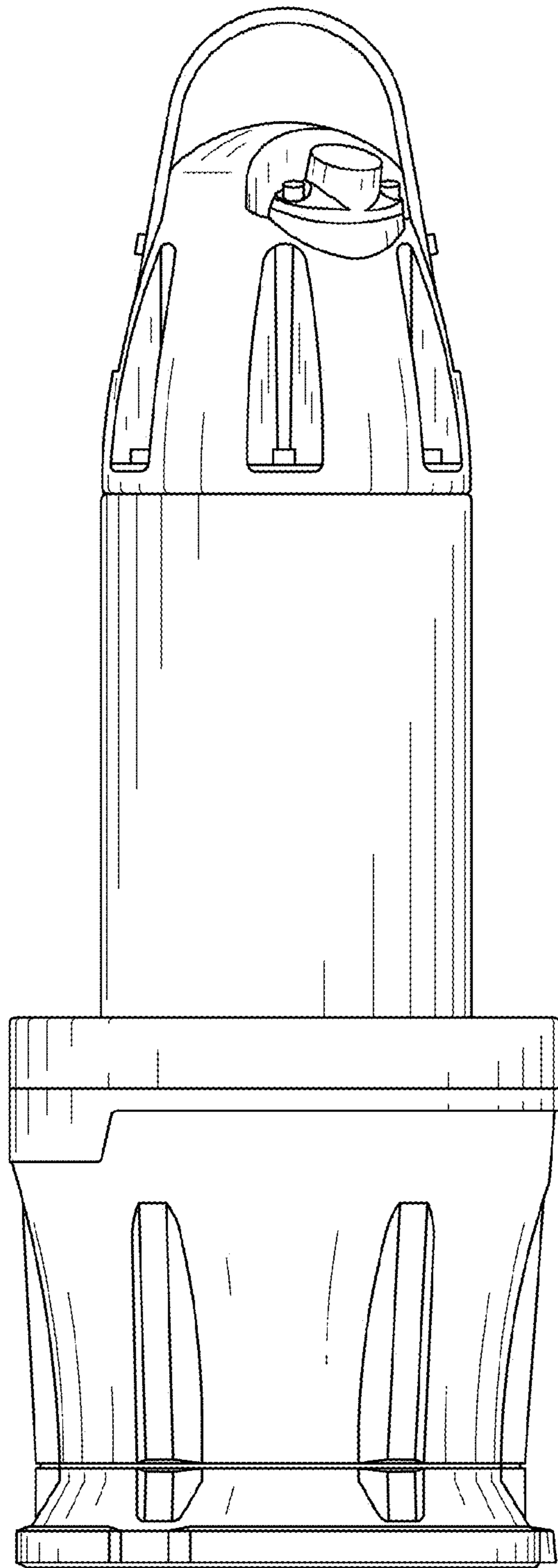


Fig. 3



Fig. 4



Fig. 5

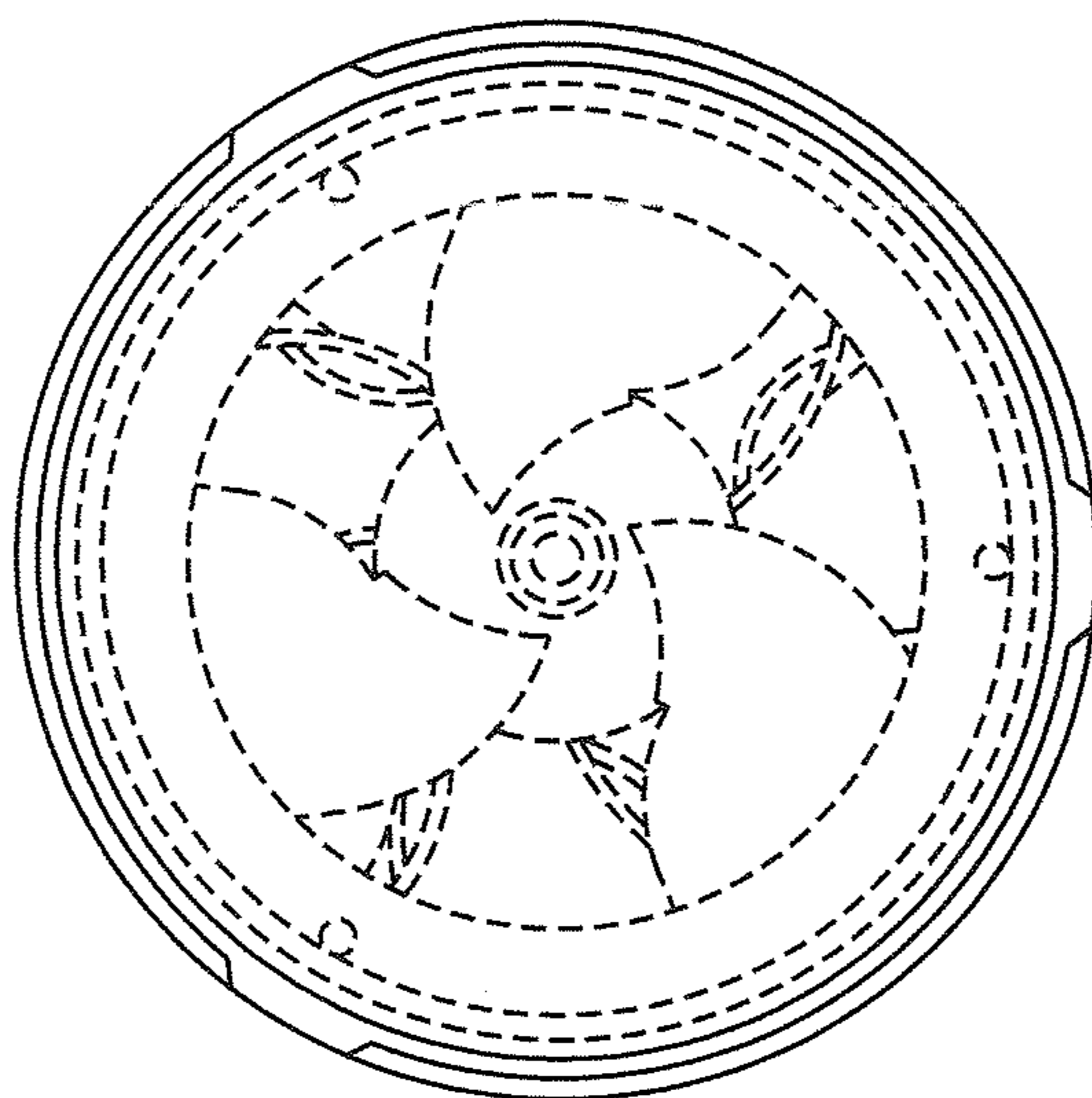


Fig. 6

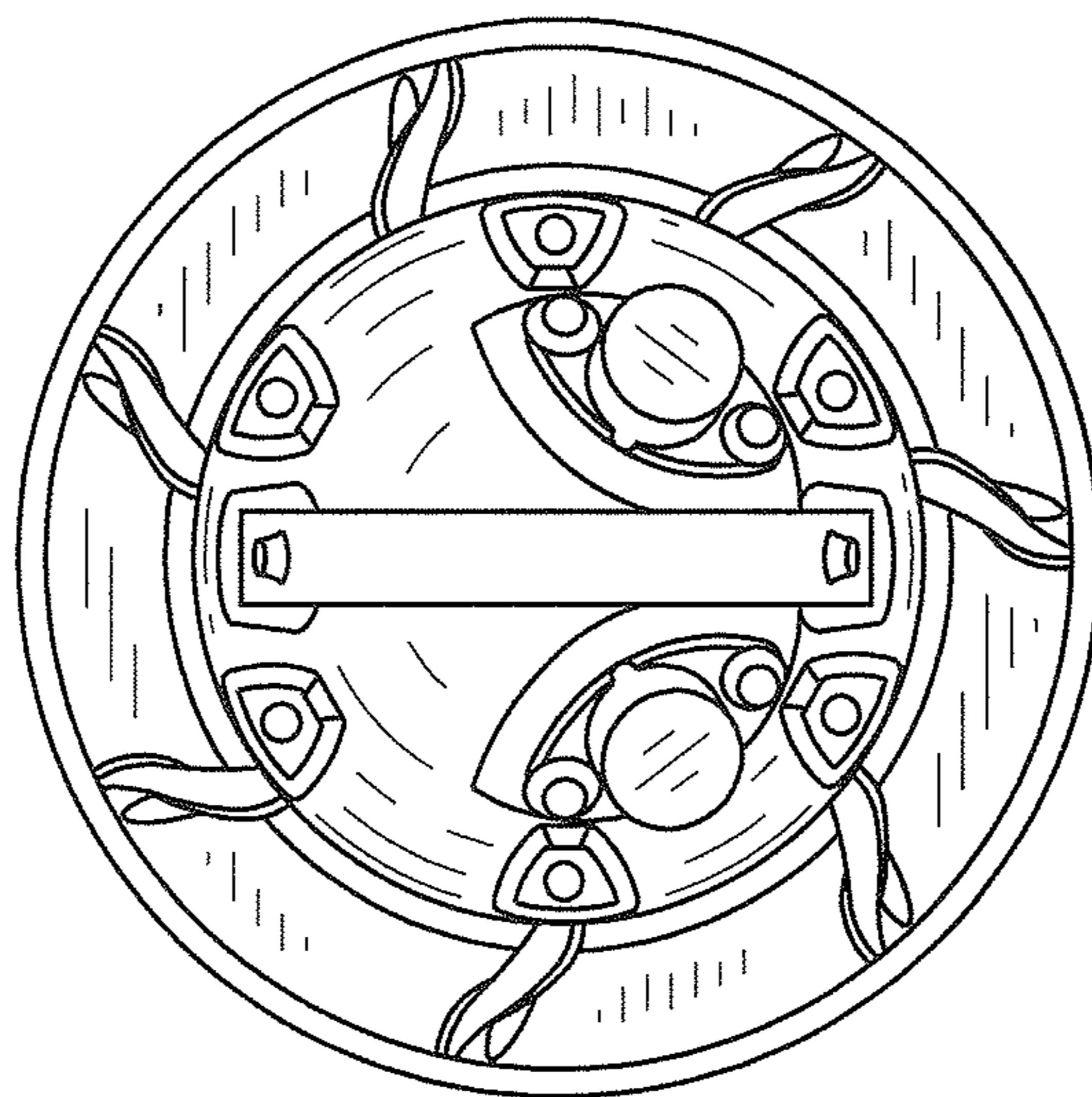


Fig. 7