

US00D690319S

(12) **United States Design Patent**
Wenz et al.

(10) **Patent No.:** **US D690,319 S**
(45) **Date of Patent:** **** Sep. 24, 2013**

(54) **DISPLAY SCREEN WITH A GRAPHICAL INTERFACE**

(75) Inventors: **Oliver C. Wenz**, Petaluma, CA (US);
Michael J. Manning, Campbell, CA (US); **Ji hyun Kim**, Alameda, CA (US)

(73) Assignee: **Cisco Technology, Inc.**, San Jose, CA (US)

(**) Term: **14 Years**

(21) Appl. No.: **29/380,012**

(22) Filed: **Nov. 29, 2010**

(51) **LOC (9) Cl.** **14-04**

(52) **U.S. Cl.**
USPC **D14/488**

(58) **Field of Classification Search**
USPC D14/485–488, 495; D18/31–33;
D20/10, 11, 22, 23, 25, 27, 32; 715/751–753,
715/756, 758, 759, 204, 227, 235, 240, 247,
715/716, 727, 731, 735, 788, 808, 809, 975;
345/173

See application file for complete search history.

(56) **References Cited**

U.S. PATENT DOCUMENTS

D2,945	S *	3/1868	Parker et al.	D20/23
5,195,086	A *	3/1993	Baumgartner et al.	370/264
5,363,507	A *	11/1994	Nakayama et al.	715/743
5,375,068	A *	12/1994	Palmer et al.	709/204
D425,499	S *	5/2000	Millington	D14/488
6,072,463	A *	6/2000	Glaser	715/753
6,473,114	B1 *	10/2002	Strubbe	348/14.07
6,692,359	B1 *	2/2004	Williams et al.	463/42
D500,788	S *	1/2005	Kaplan	D19/8
D507,576	S *	7/2005	Hally et al.	D14/486
7,013,429	B2 *	3/2006	Fujimoto et al.	715/752
D522,523	S *	6/2006	Parta	D14/486
D532,015	S *	11/2006	Lindsay et al.	D14/488

D545,834	S *	7/2007	Anthony et al.	D14/488
7,243,299	B1 *	7/2007	Rubin et al.	715/209
D561,197	S *	2/2008	Okaro et al.	D14/495
7,360,172	B2 *	4/2008	Grossman et al.	715/839
D573,601	S *	7/2008	Gregov et al.	D14/487
D580,942	S *	11/2008	Oshiro et al.	D14/485
D586,359	S *	2/2009	Makoski et al.	D14/486
D589,528	S *	3/2009	Koh	D14/486
D590,415	S *	4/2009	Ball et al.	D14/486
D593,571	S *	6/2009	Ball et al.	D14/485
D593,575	S *	6/2009	Ball et al.	D14/486

(Continued)

OTHER PUBLICATIONS

Design U.S. Appl. No. 29/380,005, filed Nov. 29, 2010, entitled “Interface Element,” Inventor(s): Oliver C. Wenz et al.

(Continued)

Primary Examiner — Karen E Kearney

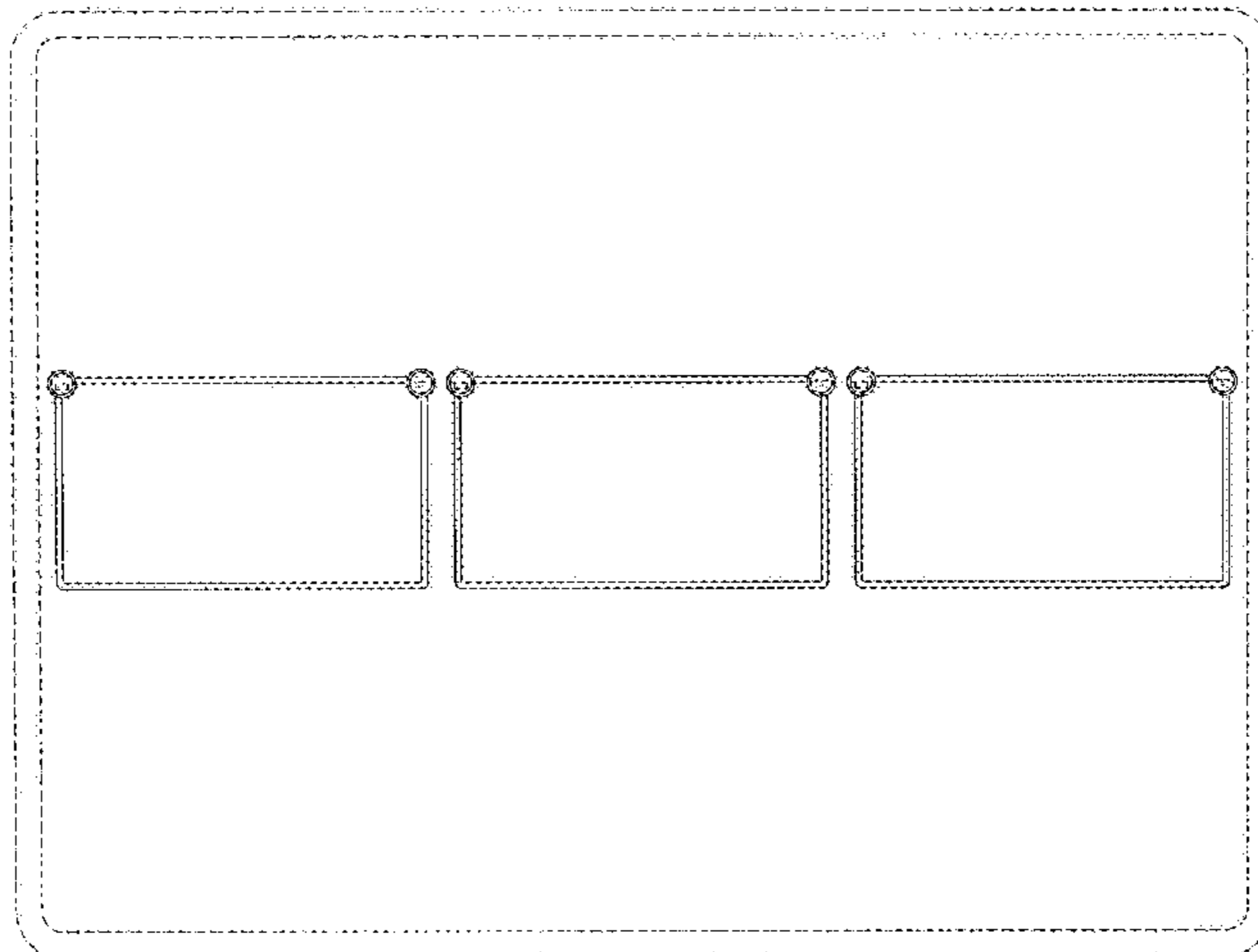
(57) **CLAIM**

The ornamental design for a display screen with a graphical interface, as shown and described.

DESCRIPTION

FIG. 1 is a perspective view illustrating a display screen with a graphical interface according to one embodiment; FIG. 2 is a front view thereof; FIG. 3 is a perspective view thereof, shown in a different placement in the environment; FIG. 4 is a front view thereof; FIG. 5 is a perspective view thereof, shown in a different placement in the environment; and, FIG. 6 is a front view thereof. The broken line showings of the display screen, rectangles, and triangles in all the figures are included for the purpose of illustrating environmental structure and portions of the display screen with a graphical interface. The broken lines form no part of the claimed design.

1 Claim, 6 Drawing Sheets



(56)

References Cited

U.S. PATENT DOCUMENTS

D594,020	S *	6/2009	Ball et al.	D14/486
D601,582	S *	10/2009	Chaudhri et al.	D14/495
D616,895	S *	6/2010	Ehrler et al.	D14/486
D621,411	S *	8/2010	Verfuert et al.	D14/486
D624,088	S *	9/2010	Salay et al.	D14/486
D624,930	S *	10/2010	Agnetta et al.	D14/487
D638,432	S *	5/2011	Flik et al.	D14/486
D642,586	S *	8/2011	Jones et al.	D14/485
D648,741	S *	11/2011	Lemay	D14/493
D656,505	S *	3/2012	Jones et al.	D14/485
D656,506	S *	3/2012	Jones et al.	D14/485
8,341,535	B2 *	12/2012	Lyman	715/753
2005/0262542	A1 *	11/2005	DeWeese et al.	725/106
2007/0300164	A1 *	12/2007	Bhogal et al.	715/753
2008/0244419	A1 *	10/2008	Kurpick et al.	715/756
2009/0019377	A1 *	1/2009	Chen et al.	715/758
2009/0037827	A1 *	2/2009	Bennetts	715/753
2009/0099919	A1 *	4/2009	Schultheiss et al.	705/14
2009/0157709	A1 *	6/2009	Kruger et al.	707/100
2009/0177975	A1 *	7/2009	Elgar et al.	715/751
2010/0073454	A1 *	3/2010	Lovhaugen et al.	348/14.03
2010/0122183	A1 *	5/2010	Babaian et al.	715/752
2011/0035687	A1 *	2/2011	Katis et al.	715/758
2012/0297320	A1 *	11/2012	Lemmey et al.	715/753
2012/0317501	A1 *	12/2012	Milou	715/753

OTHER PUBLICATIONS

Design U.S. Appl. No. 29/380,007, filed Nov. 29, 2010, entitled "Interface Element," Inventor(s): Oliver C. Wenz et al.
 Design U.S. Appl. No. 29/380,008, filed Nov. 29, 2010, entitled "Interface Element," Inventor(s): Oliver C. Wenz et al.
 Design U.S. Appl. No. 29/380,011, filed Nov. 29, 2010, entitled "Interface Element," Inventor(s): Oliver C. Wenz et al.
 Design U.S. Appl. No. 29/380,014, filed Nov. 29, 2010, entitled "Interface Element," Inventor(s): Oliver C. Wenz et al.
 Design U.S. Appl. No. 29/380,017, filed Nov. 29, 2010, entitled "Interface Element," Inventor(s): Oliver C. Wenz et al.
 Design U.S. Appl. No. 29/380,018, filed Nov. 29, 2010, entitled "Interface Element," Inventor(s): Oliver C. Wenz et al.
 Design U.S. Appl. No. 29/380,019, filed Nov. 29, 2010, entitled "Interface Element," Inventor(s): Oliver C. Wenz et al.
 Design U.S. Appl. No. 29/380,021, filed Nov. 29, 2010, entitled "Interface Element," Inventor(s): Oliver C. Wenz et al.
 Design U.S. Appl. No. 29/380,022, filed Nov. 29, 2010, entitled "Interface Element," Inventor(s): Oliver C. Wenz et al.
 Design U.S. Appl. No. 29/380,023, filed Nov. 29, 2010, entitled "Interface Element," Inventor(s): Oliver C. Wenz et al.
 Vizard, Mike, "Intel CEO Demos Video Conferencing on a Smartphone," CTO Edge, Jan. 8, 2010; 2 pages; <http://www.ctoedge.com/content/intel-ceo-demos-video-conferencing-smartphone>.

* cited by examiner

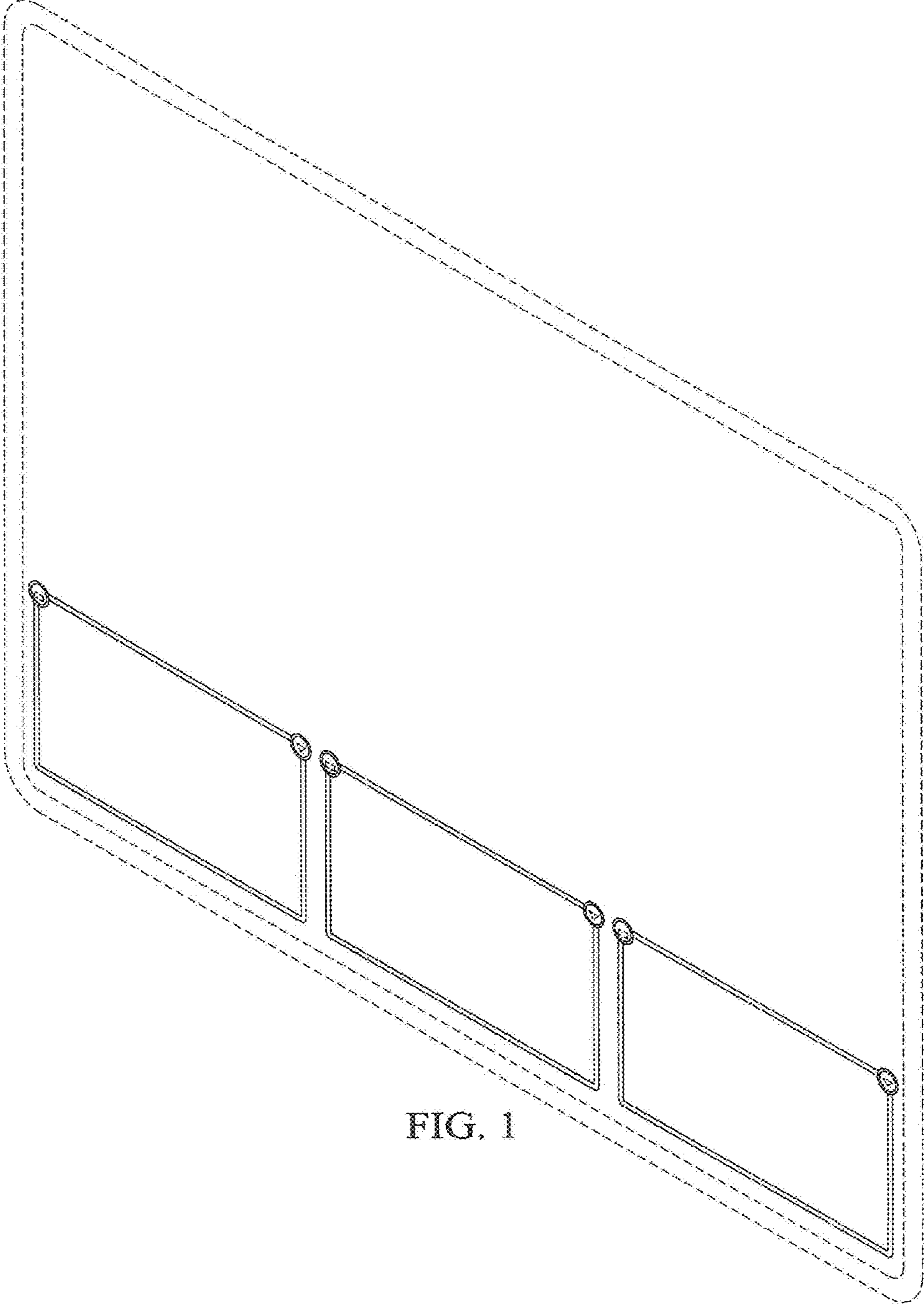


FIG. 1

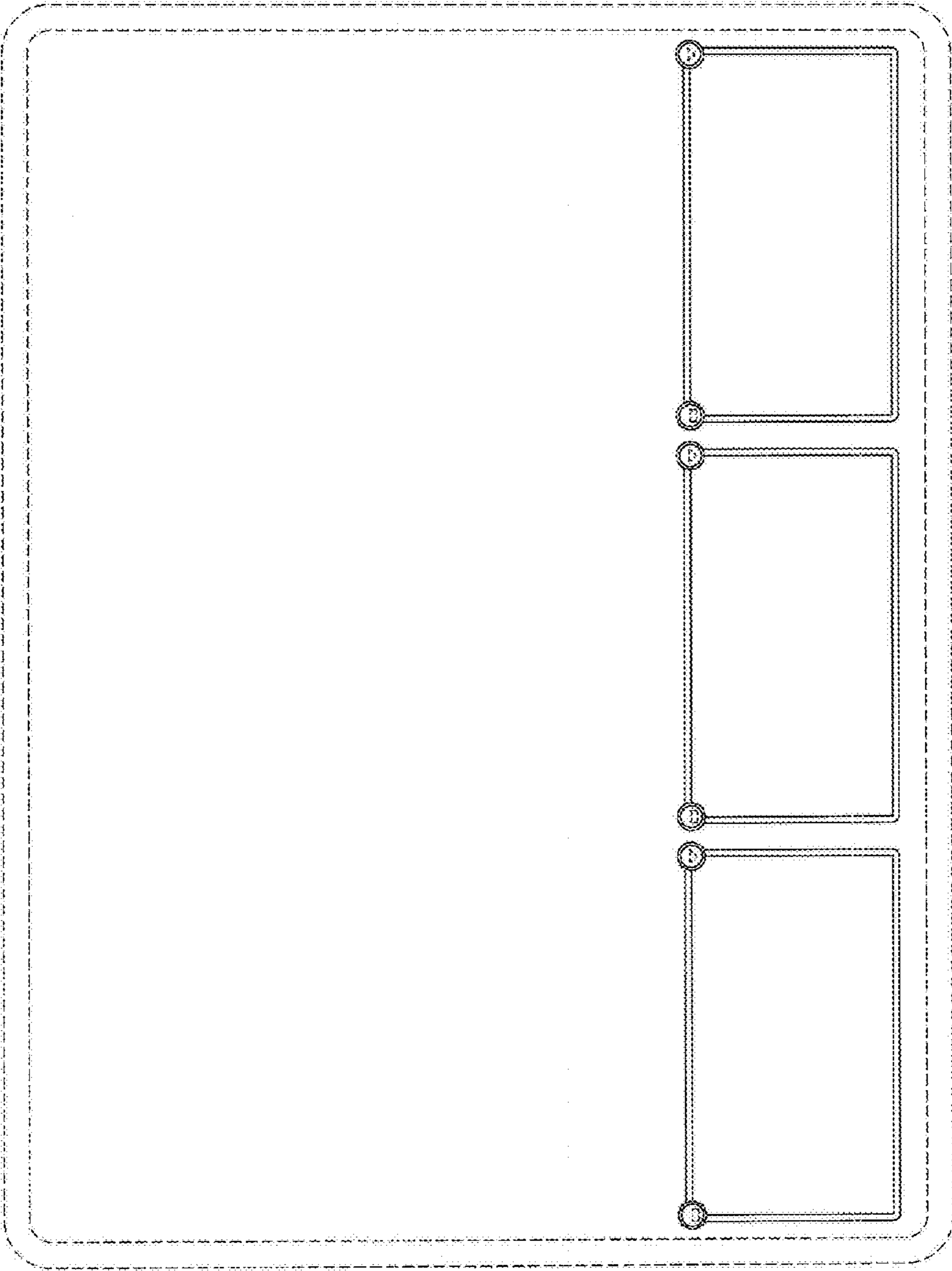


FIG. 2

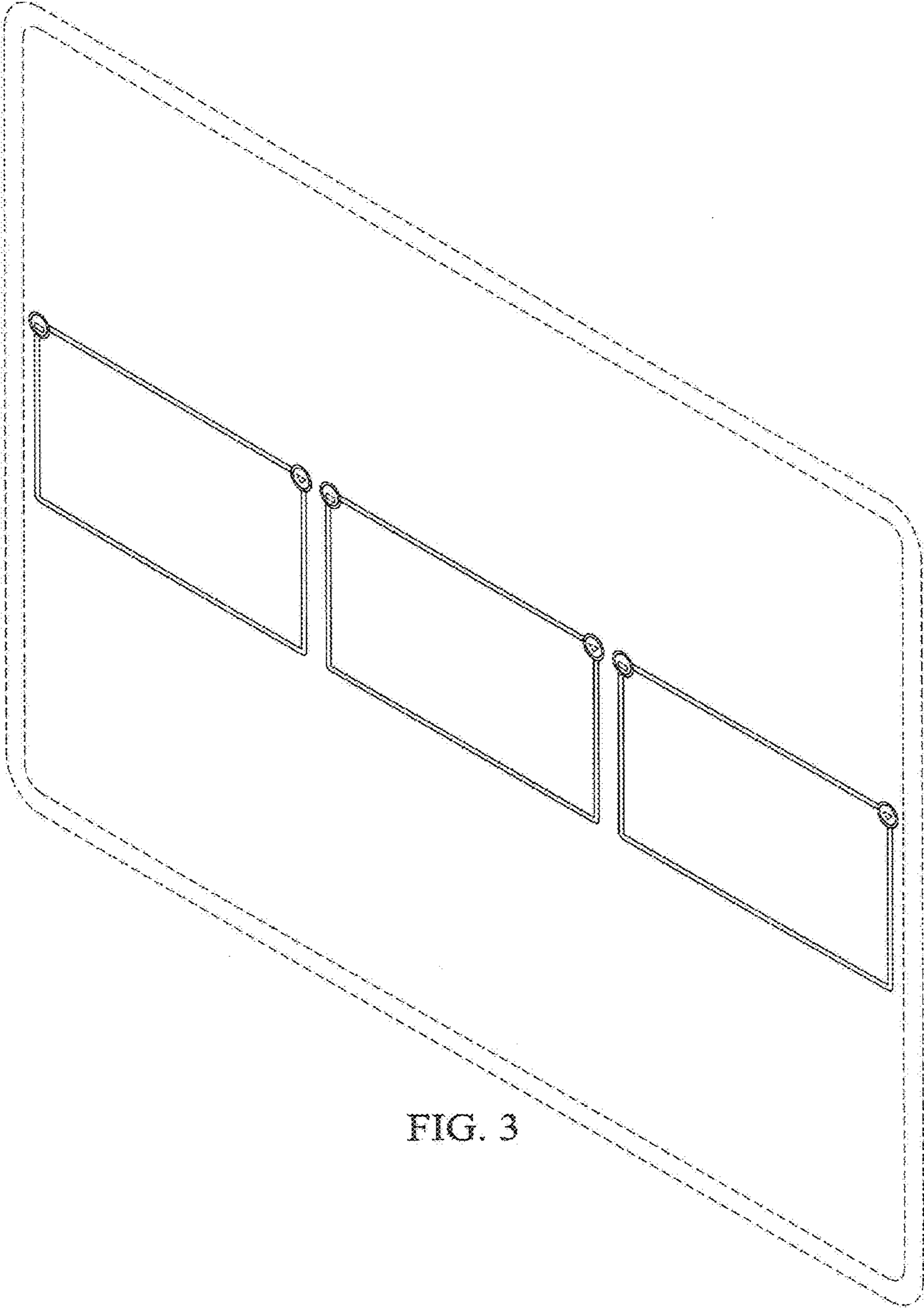


FIG. 3

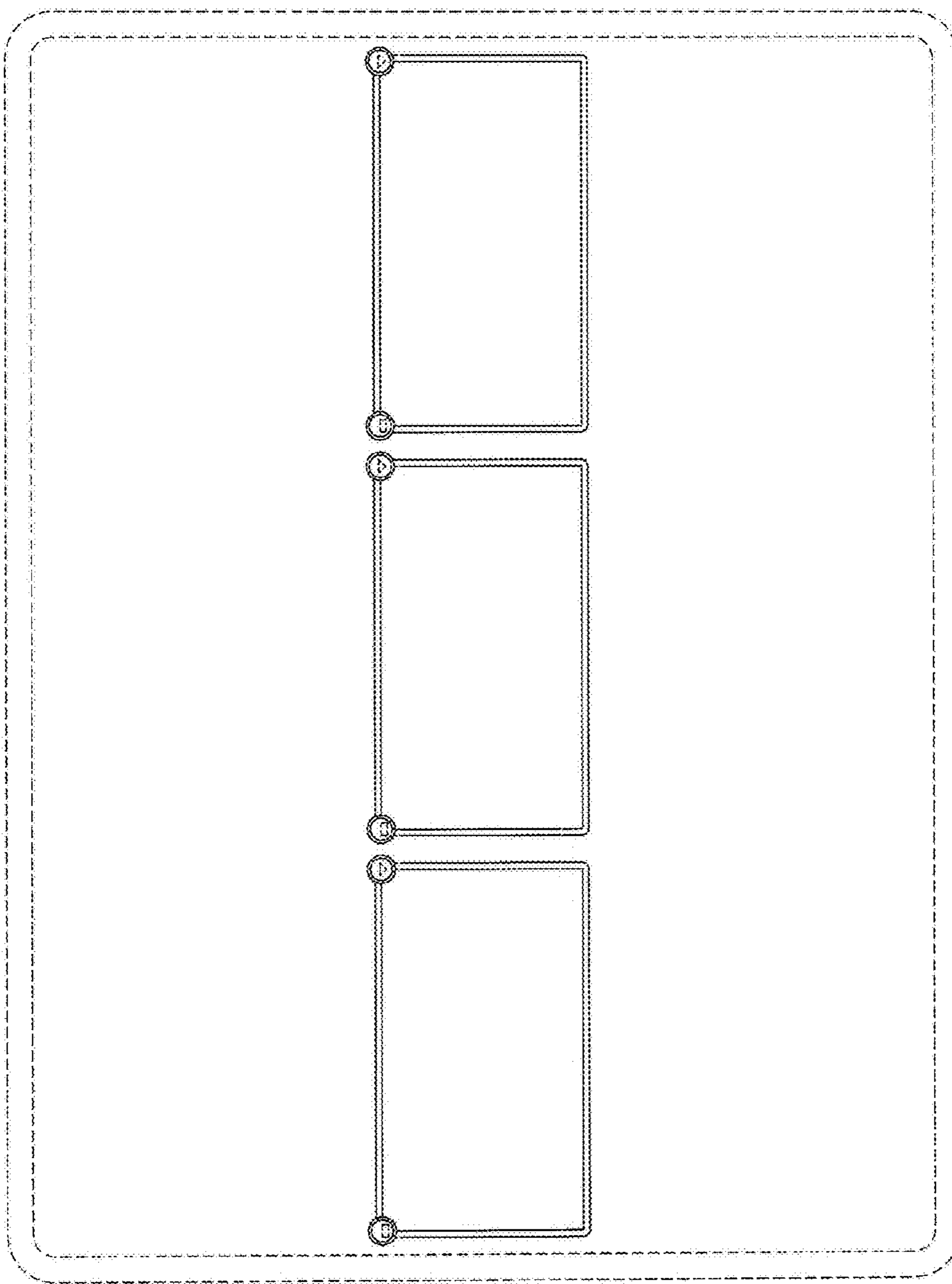


FIG. 4

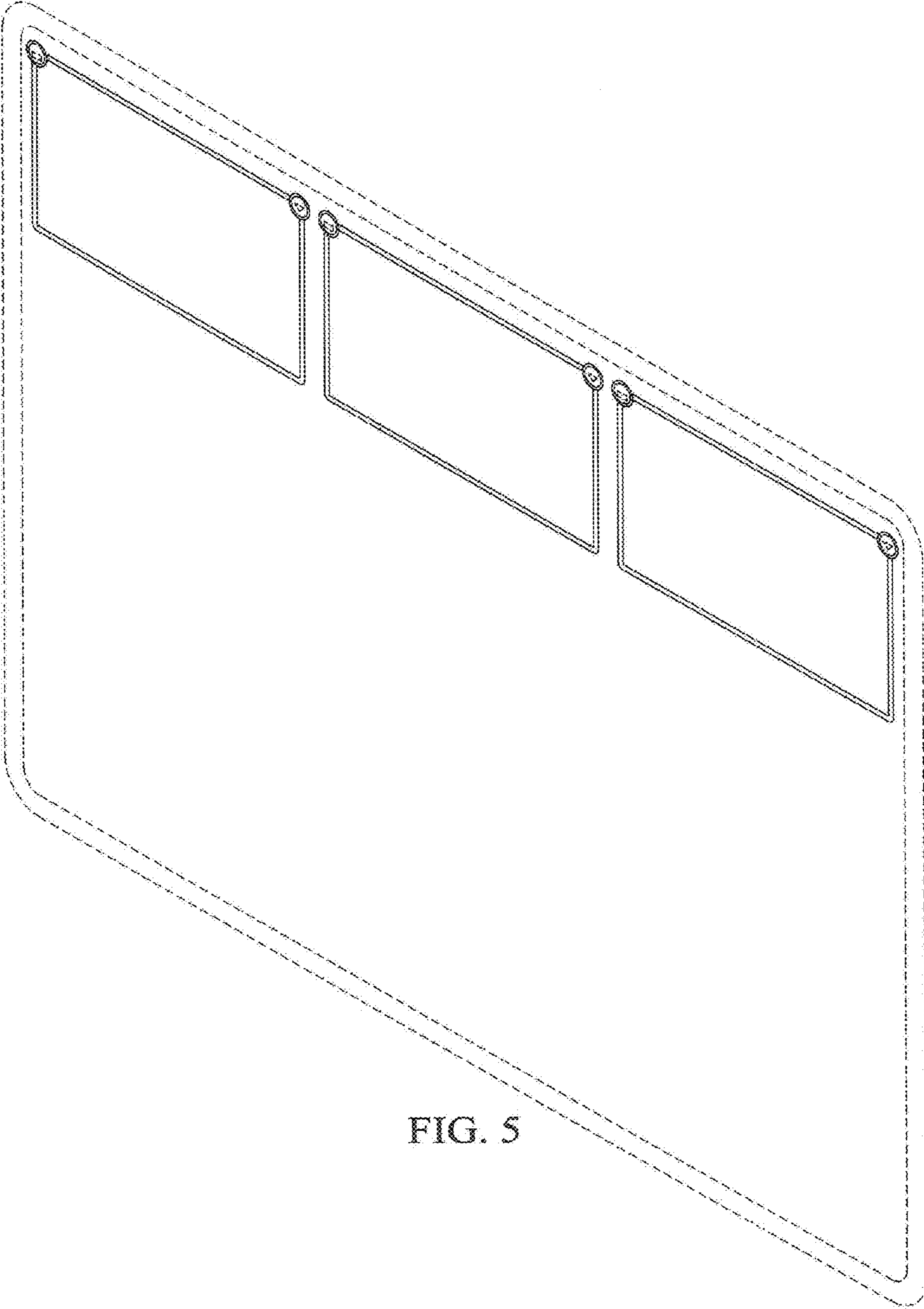


FIG. 5

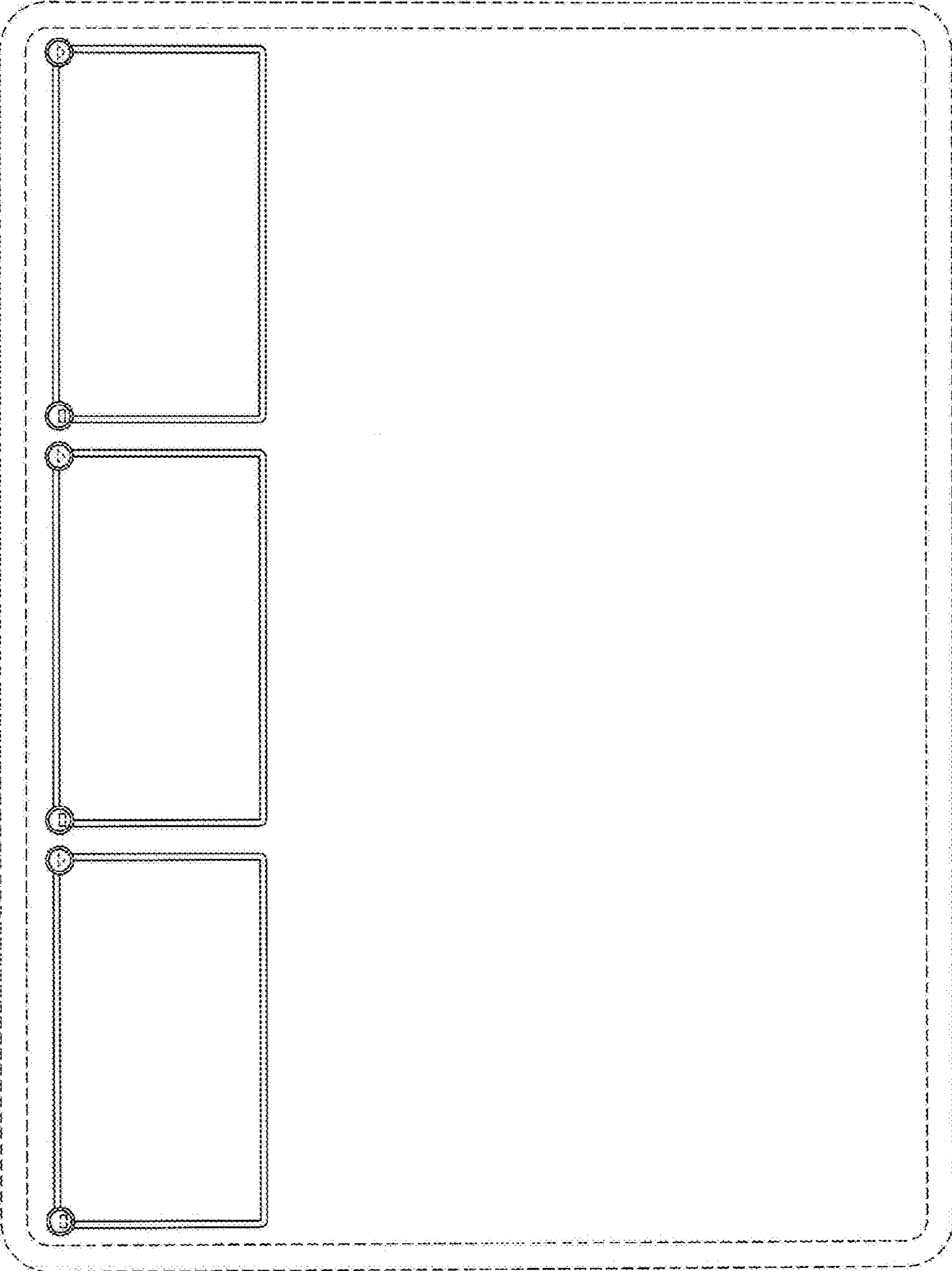


FIG. 6