



US00D690308S

(12) **United States Design Patent**  
**McCoy**

(10) **Patent No.:** **US D690,308 S**

(45) **Date of Patent:** **\*\* Sep. 24, 2013**

(54) **MOUSE PAD PLATFORM**

(76) **Inventor:** **Thomas J. McCoy**, Kansas City, MO  
(US)

(\*\*) **Term:** **14 Years**

(21) **Appl. No.:** **29/395,744**

(22) **Filed:** **Mar. 21, 2012**

(51) **LOC (9) Cl.** ..... **14-02**

(52) **U.S. Cl.**  
USPC ..... **D14/458**

(58) **Field of Classification Search**  
USPC ..... D14/458–461, 447, 451, 457, 251;  
D29/120.1; D24/190–192; D6/601, 474;  
248/118, 118.1, 118.3, 118.5, 346.01  
See application file for complete search history.

(56) **References Cited**

U.S. PATENT DOCUMENTS

2,012,551	A *	8/1935	Steen	248/452
4,274,616	A *	6/1981	Radtke	248/459
4,709,895	A *	12/1987	Mardak	248/460
D307,587	S *	5/1990	Marcune	D14/159
4,970,742	A *	11/1990	Keener	5/633
D328,314	S *	7/1992	MacEwan	D19/91
D335,227	S *	5/1993	Lapsker et al.	D6/449
D336,898	S *	6/1993	Cherubini et al.	D14/461
D338,195	S *	8/1993	Sugerman	D14/461
D338,568	S *	8/1993	Juster	D6/406.4
5,244,296	A *	9/1993	Jensen	400/715
D347,422	S *	5/1994	Taslitz	D14/461
D352,934	S *	11/1994	Juster	D14/461
D355,647	S *	2/1995	Gresko	D14/461
D357,603	S *	4/1995	Wolff	D6/449
D357,910	S *	5/1995	Newhouse	D14/461
D359,036	S *	6/1995	Mandel	D14/458
D362,565	S *	9/1995	Tubbs et al.	D6/419
D365,461	S *	12/1995	Falter	D6/406.4
5,492,298	A *	2/1996	Walker	248/346.01
D372,903	S *	8/1996	Juster	D14/459
D382,864	S *	8/1997	Walker	D14/459

5,678,800	A *	10/1997	Markussen	248/346.01
5,692,815	A *	12/1997	Murphy	312/283
5,711,560	A *	1/1998	Gilbertson	292/343
D398,914	S *	9/1998	Pulver	D14/447
5,884,879	A *	3/1999	Gruenenfelder	248/118
D414,166	S *	9/1999	De Paris	D14/447
D447,488	S *	9/2001	Lewtan	D14/459
D458,269	S *	6/2002	Goto	D14/447
6,543,949	B1 *	4/2003	Ritchey et al.	400/691
D476,662	S *	7/2003	Knieper	D14/460
D483,771	S *	12/2003	Esswein	D14/457
D488,816	S *	4/2004	Tyler et al.	D14/458
D508,918	S *	8/2005	Ritchey et al.	D14/457
D517,347	S *	3/2006	Hamilton et al.	D6/449
D555,163	S *	11/2007	Beilstein et al.	D14/451
D555,655	S *	11/2007	Iu	D14/447
D584,531	S *	1/2009	Falter	D6/406.4
D640,112	S *	6/2011	Smith	D8/71
D643,845	S *	8/2011	Hong	D14/447
D648,728	S *	11/2011	Atkins et al.	D14/447
D664,148	S *	7/2012	Josefek	D14/459
D667,831	S *	9/2012	Stravitz	D14/447
D674,392	S *	1/2013	Cheng et al.	D14/434
D681,626	S *	5/2013	Zehner	D14/253
2008/0230672	A1 *	9/2008	Pachowski	248/453

\* cited by examiner

*Primary Examiner* — Deanna L Fluegeman

(74) *Attorney, Agent, or Firm* — Kenneth W. Iles

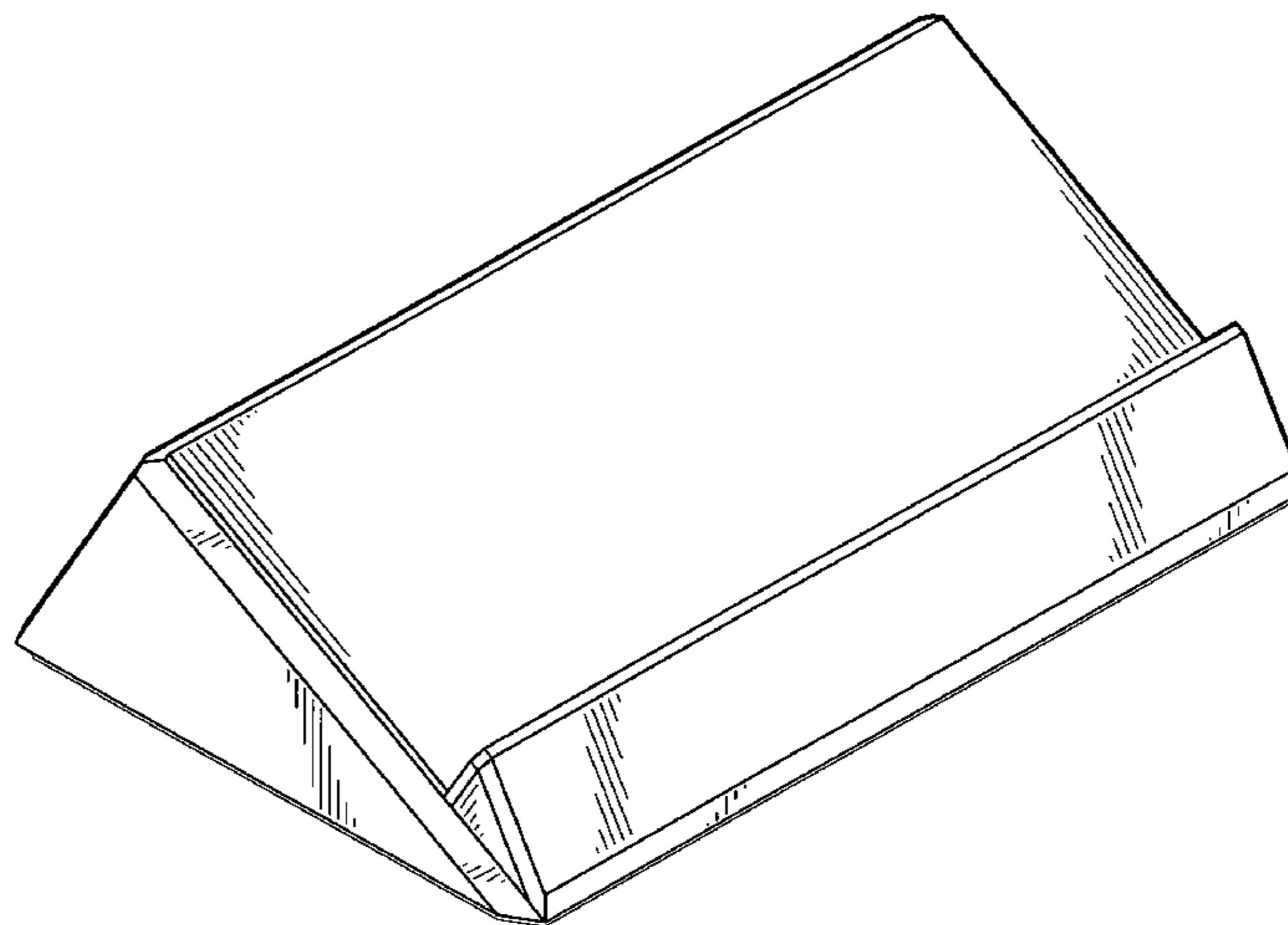
(57) **CLAIM**

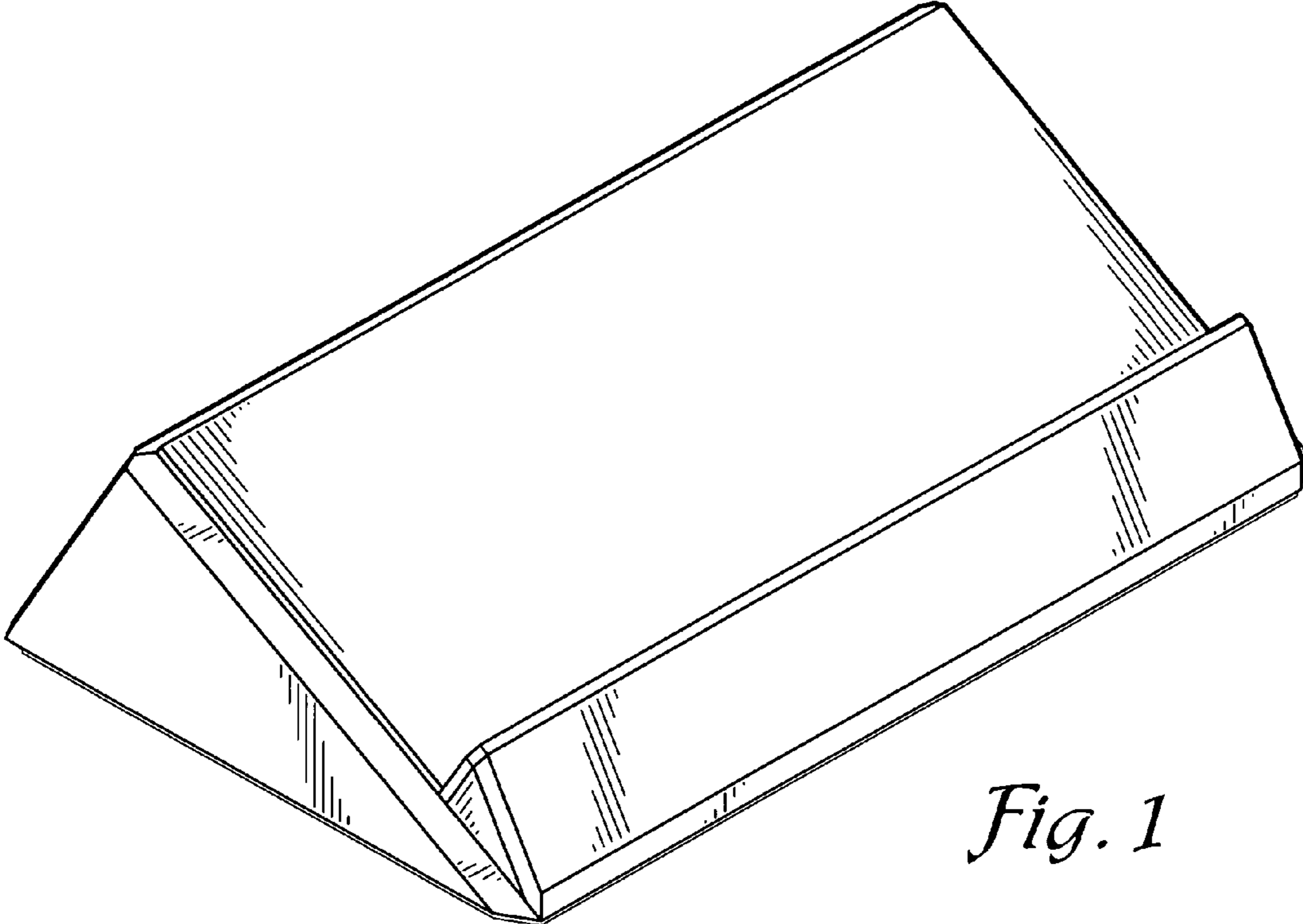
The ornamental design for mouse pad platform, as shown and described.

**DESCRIPTION**

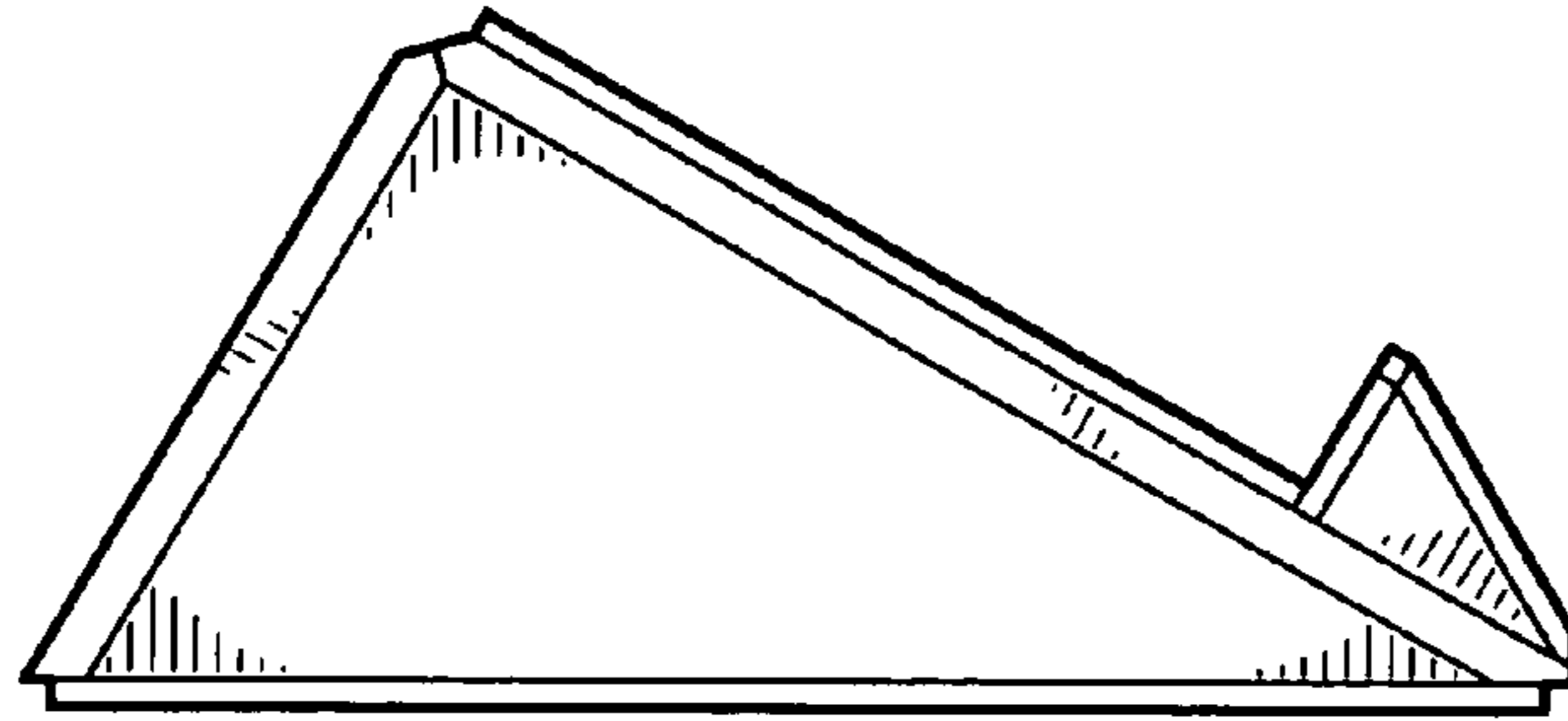
FIG. 1 is a left-front isometric view of the mouse pad platform showing my new design;  
FIG. 2 is a left side view thereof;  
FIG. 3 is a front view thereof;  
FIG. 4 is a rear view thereof;  
FIG. 5 is a top view thereof; and,  
FIG. 6 is a bottom view thereof.

**1 Claim, 3 Drawing Sheets**

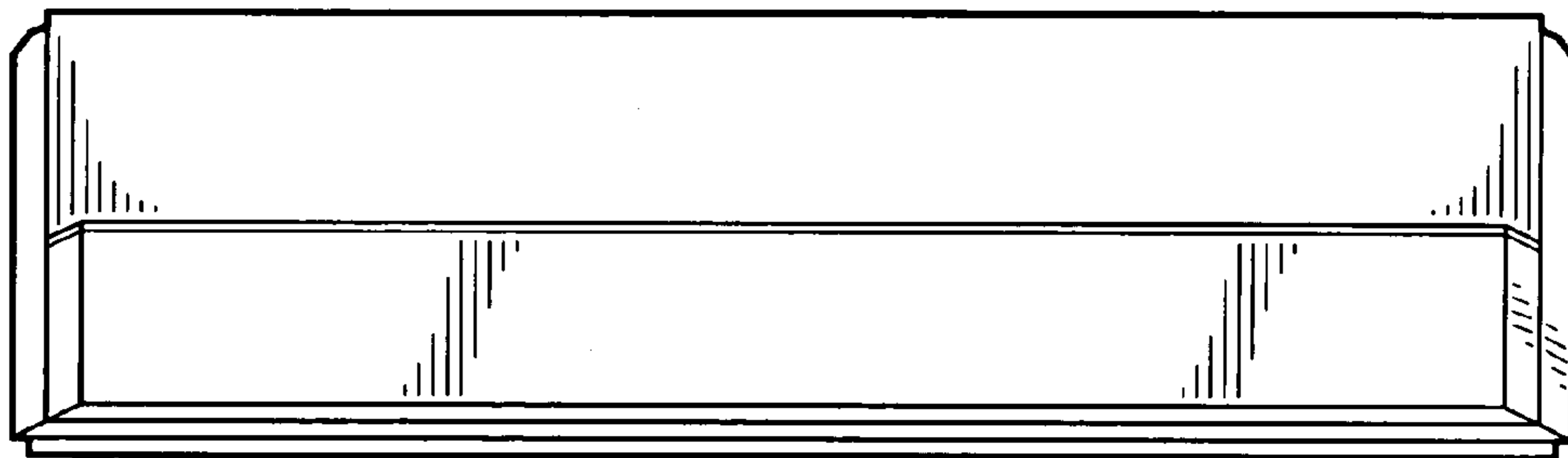




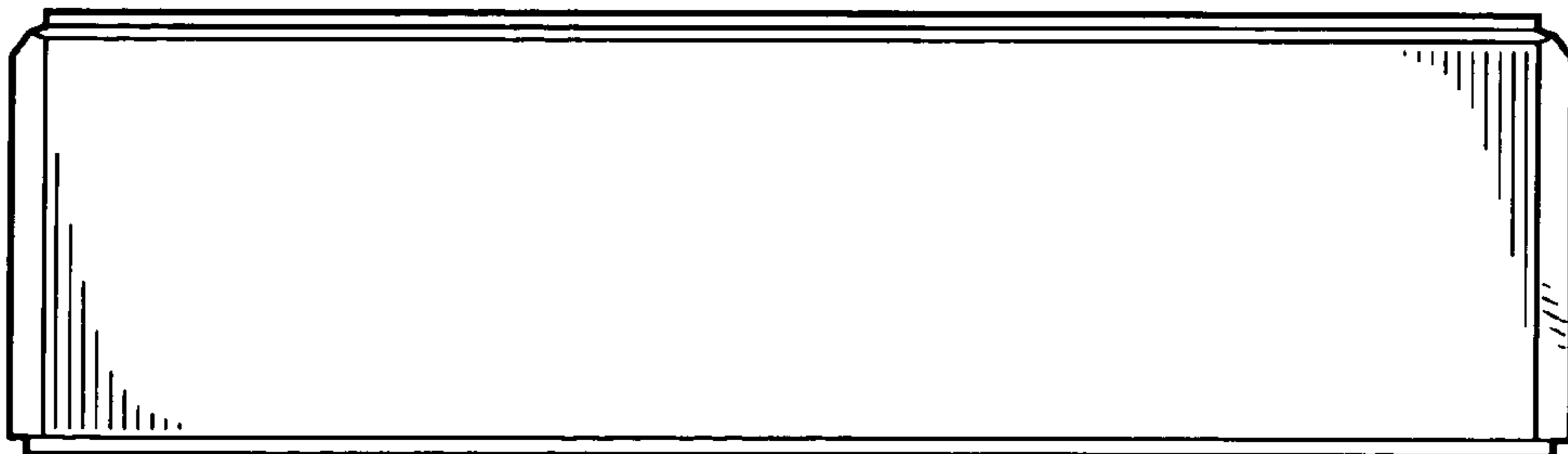
*Fig. 1*



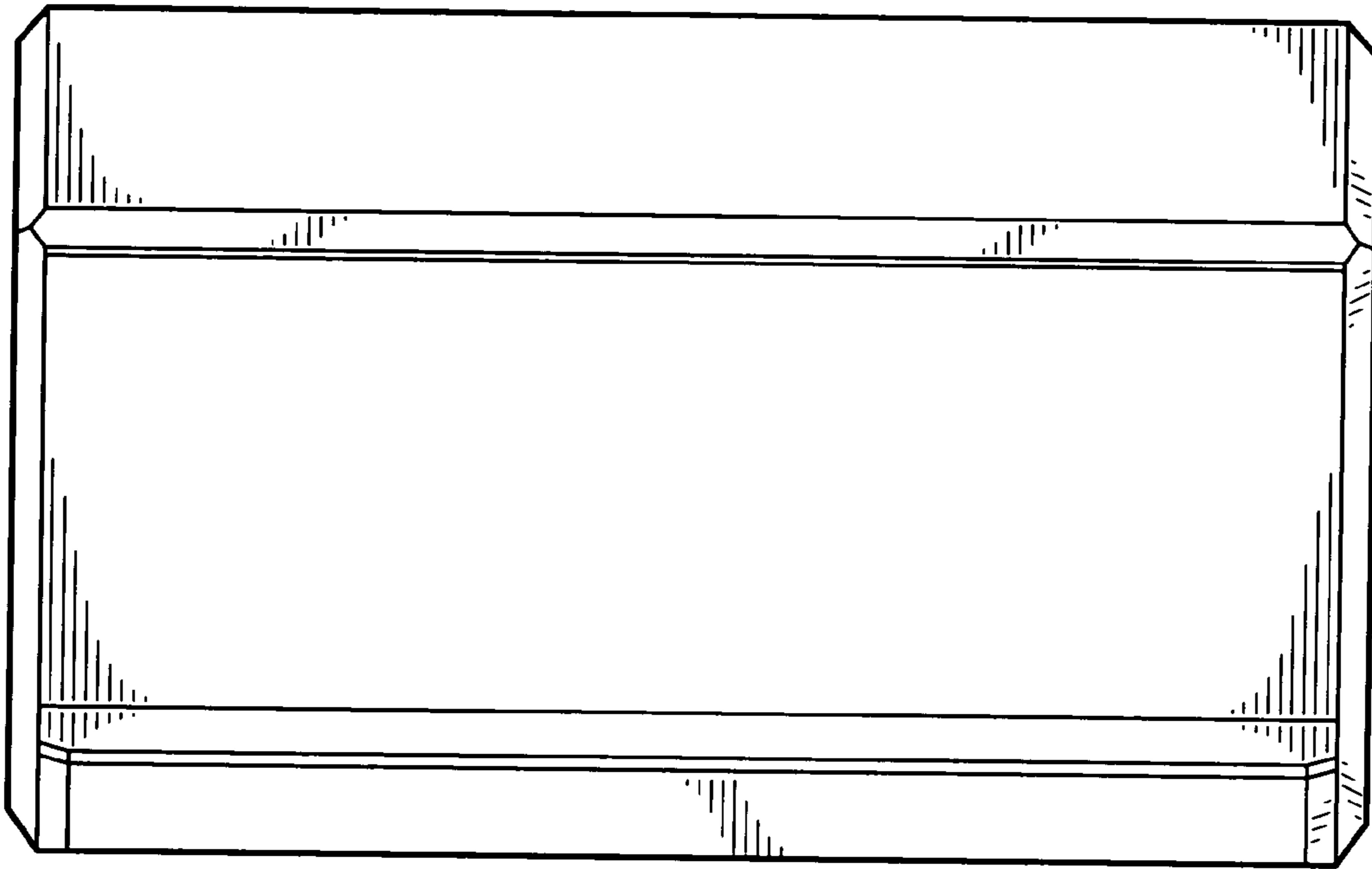
*Fig. 2*



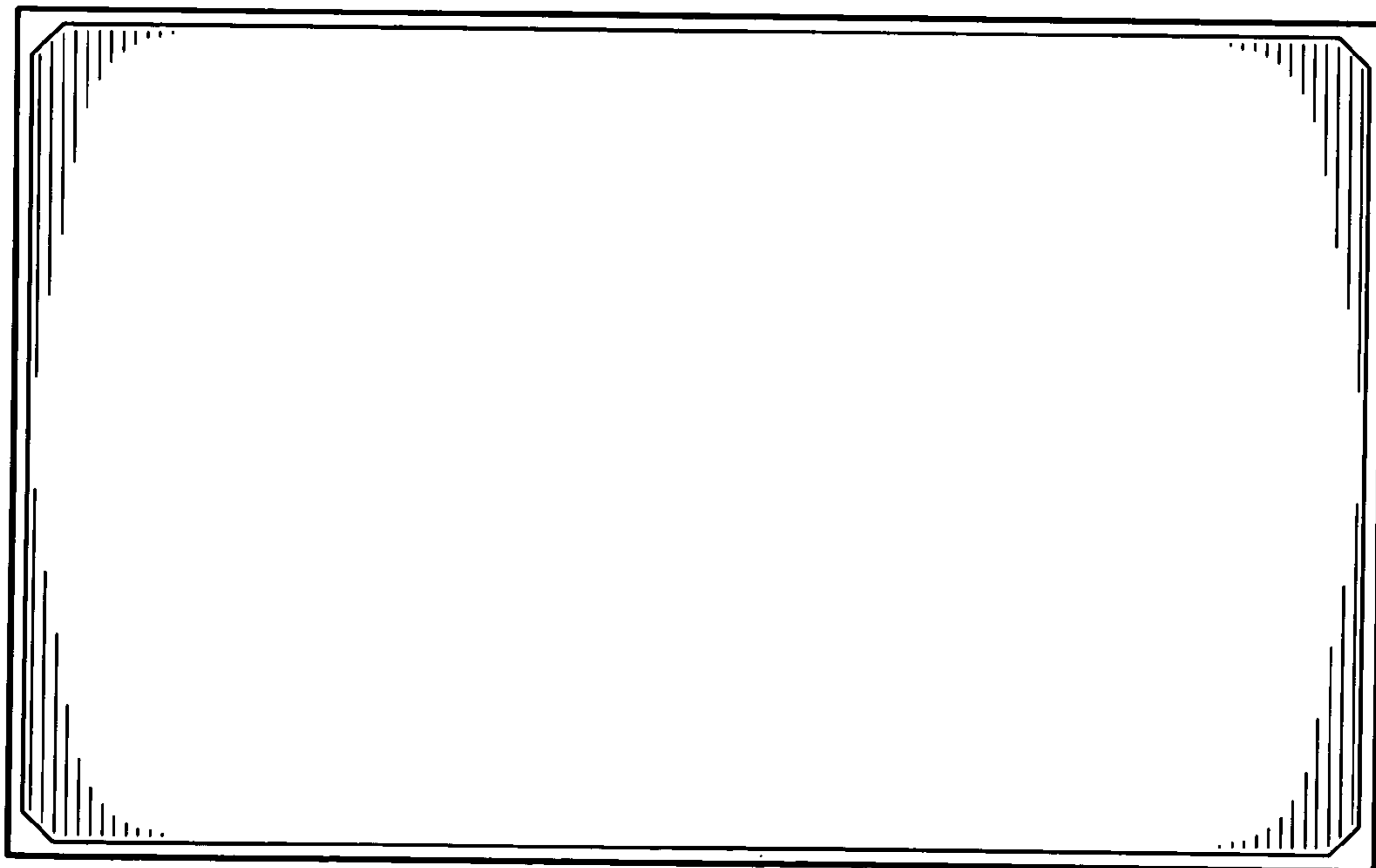
*Fig. 3*



*Fig. 4*



*Fig. 5*



*Fig. 6*