



US00D690306S

(12) **United States Design Patent**
Malisse et al.

(10) **Patent No.:** **US D690,306 S**

(45) **Date of Patent:** **** Sep. 24, 2013**

(54) **ELECTRONIC DEVICE MOUNT**

(75) Inventors: **Christopher J. Malisse**, Somers, NY
(US); **Paul Yun**, Astoria, NY (US)

(73) Assignee: **Ergotech Group, Inc.**, Elmsford, NY
(US)

(**) Term: **14 Years**

(21) Appl. No.: **29/429,375**

(22) Filed: **Aug. 10, 2012**

(51) **LOC (9) Cl.** **08-07**

(52) **U.S. Cl.**
USPC **D14/447**

(58) **Field of Classification Search**
USPC D14/432, 433, 434, 439, 440, 451,
D14/452, 239, 217, 224.1, 251, 252, 253,
D14/457, 458, 459, 460, 461; D6/406.1,
D6/406.2, 406.3, 406.4, 406.5, 406.6;
361/679.06, 679.21, 679.22, 679.24, 679.26,
361/679.27, 679.28, 679.3, 679.55, 679.56,
361/709; 248/917-924, 133, 136, 139, 150,
248/176.1, 188.6

See application file for complete search history.

(56) **References Cited**

U.S. PATENT DOCUMENTS

D295,415 S * 4/1988 Thies et al. D14/452
D607,844 S * 1/2010 Feldstein et al. D13/168
D614,613 S * 4/2010 Kim et al. D14/253

D640,247 S * 6/2011 Baumann et al. D14/253
D649,153 S * 11/2011 Symons D14/447
D654,493 S * 2/2012 Baumann et al. D14/253
D658,189 S * 4/2012 Zhao et al. D14/447
D659,147 S * 5/2012 Hu et al. D14/447
D668,256 S * 10/2012 Matteo D14/447
D672,754 S * 12/2012 Inada D14/224
D672,782 S * 12/2012 Gross D14/447
D678,296 S * 3/2013 Lakraa et al. D14/447
D680,547 S * 4/2013 Williams et al. D14/447

* cited by examiner

Primary Examiner — Angela J Lee

(74) *Attorney, Agent, or Firm* — Haugen Law Firm PLLP

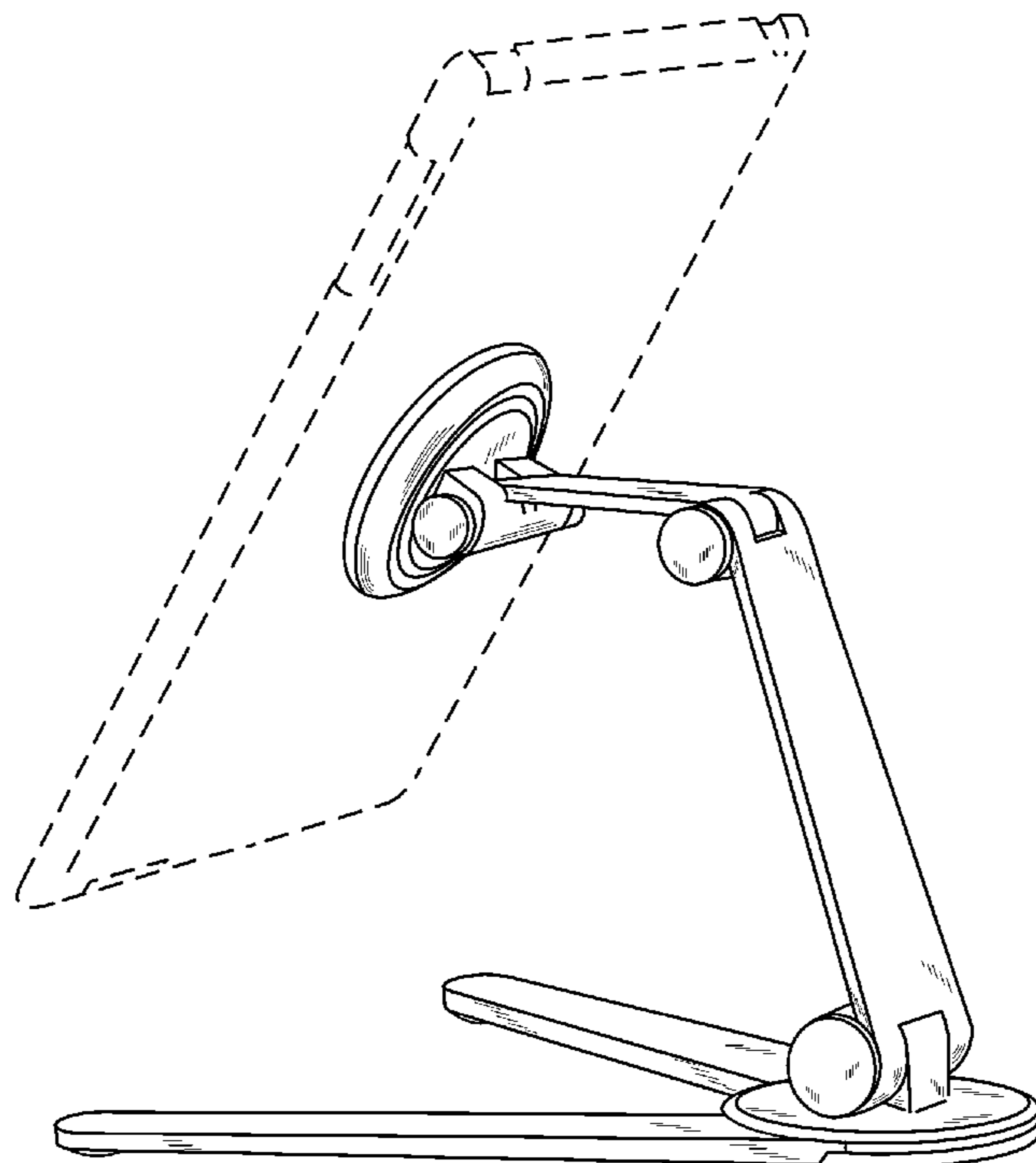
(57) **CLAIM**

The ornamental design for an electronic device mount, as shown and described.

DESCRIPTION

FIG. 1 is a perspective view of the electronic device mount shown with the support feet in an open position; FIG. 2 is a side elevational view thereof, but with the support feet shown in a closed position; FIG. 3 is a front elevational view thereof; FIG. 4 is a top plan view thereof; FIG. 5 is a bottom plan view thereof; and, FIG. 6 is a perspective view thereof and illustrating pivot axes of the design. The dashed line showing in FIG. 1 is for illustrative purposes only, and forms no part of the claimed design.

1 Claim, 6 Drawing Sheets



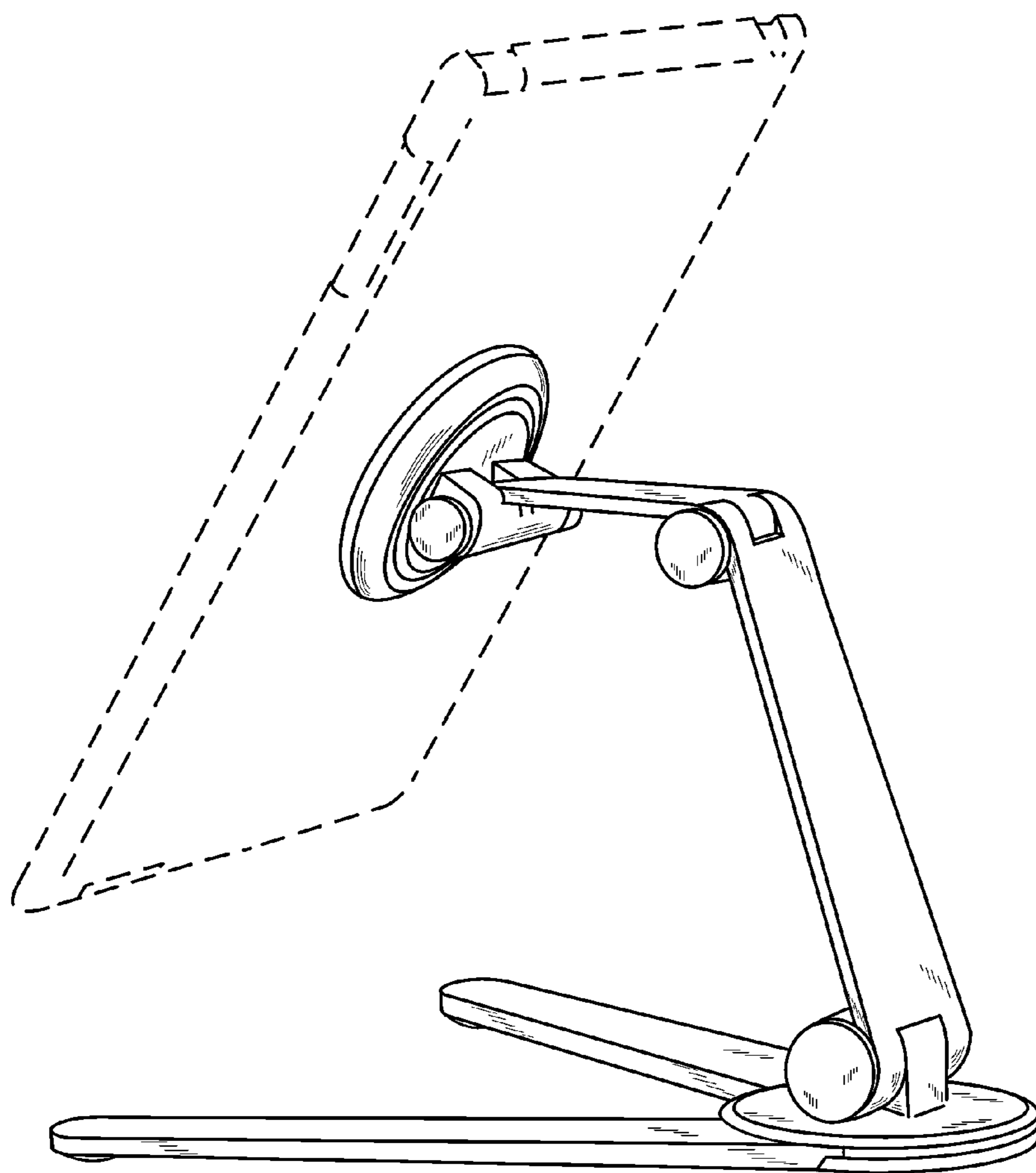


FIG. 1

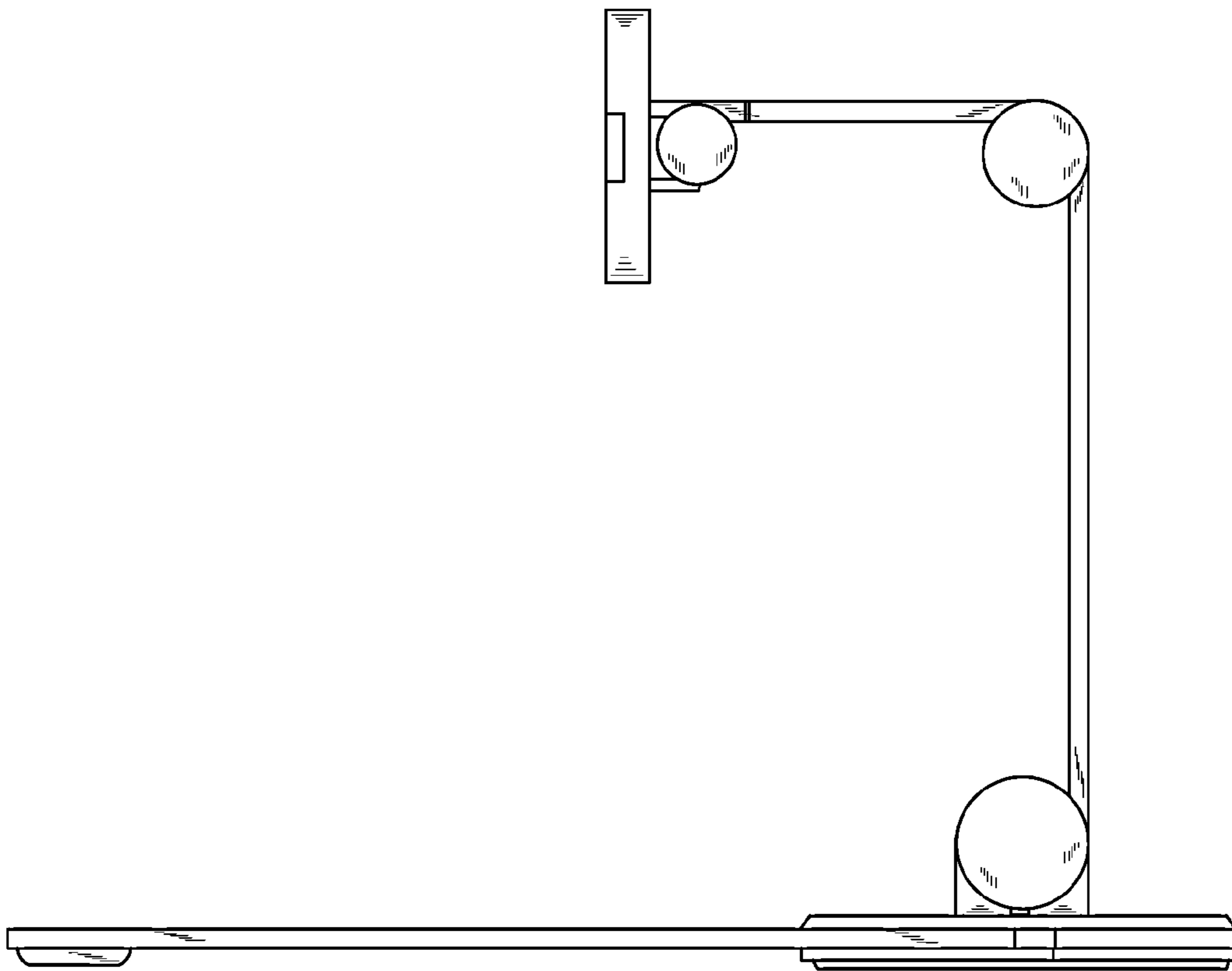


FIG. 2

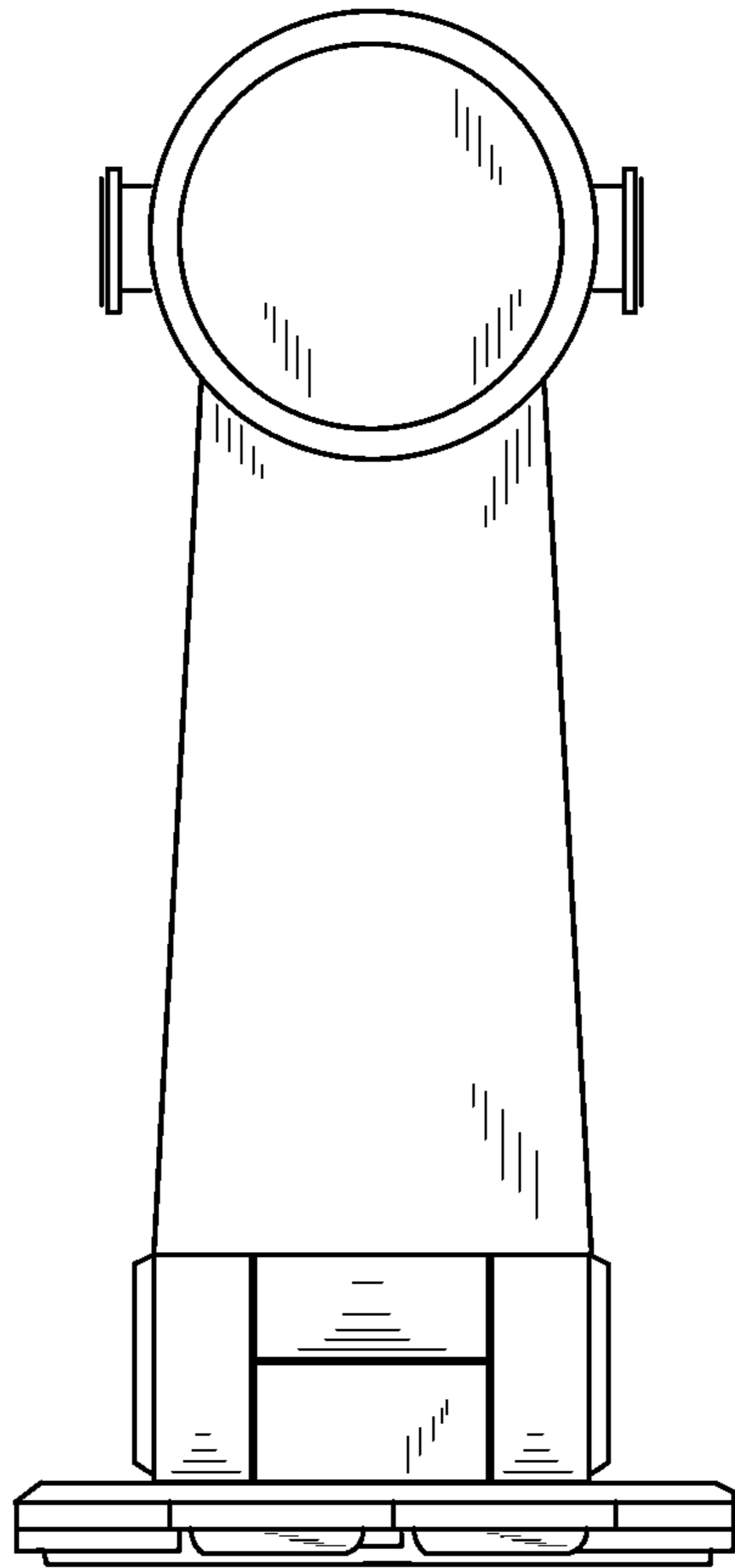


FIG. 3

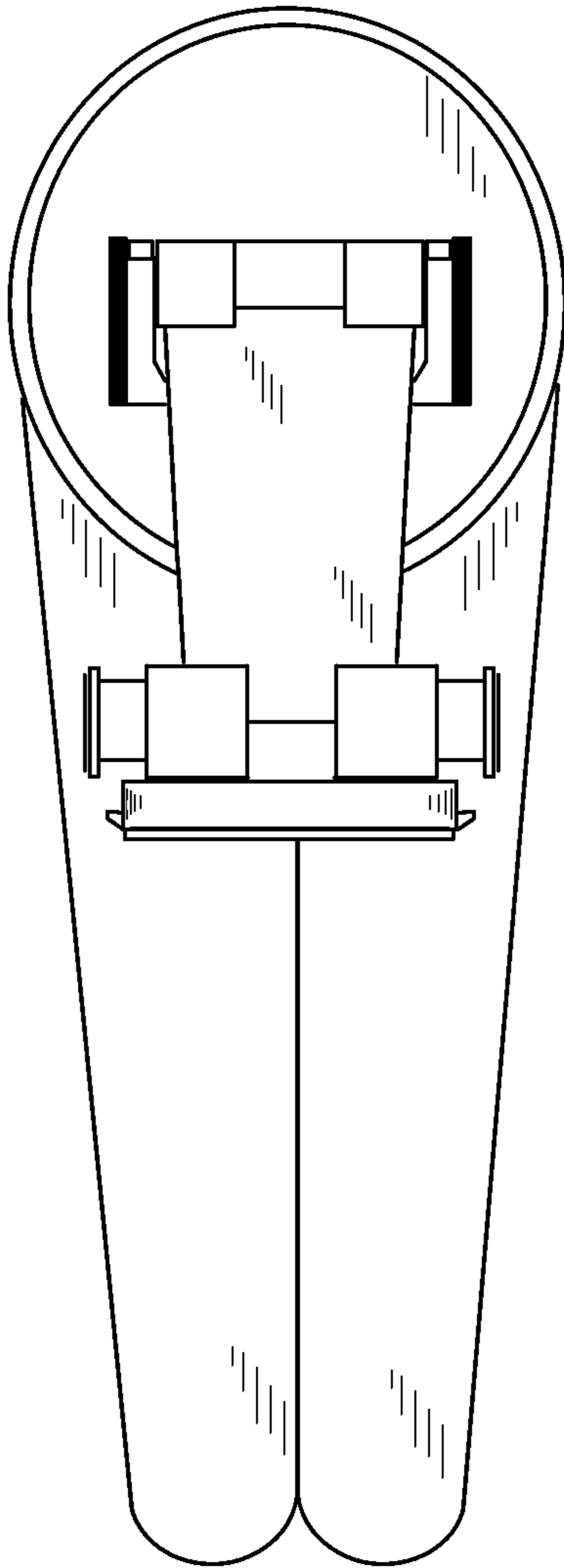


FIG. 4

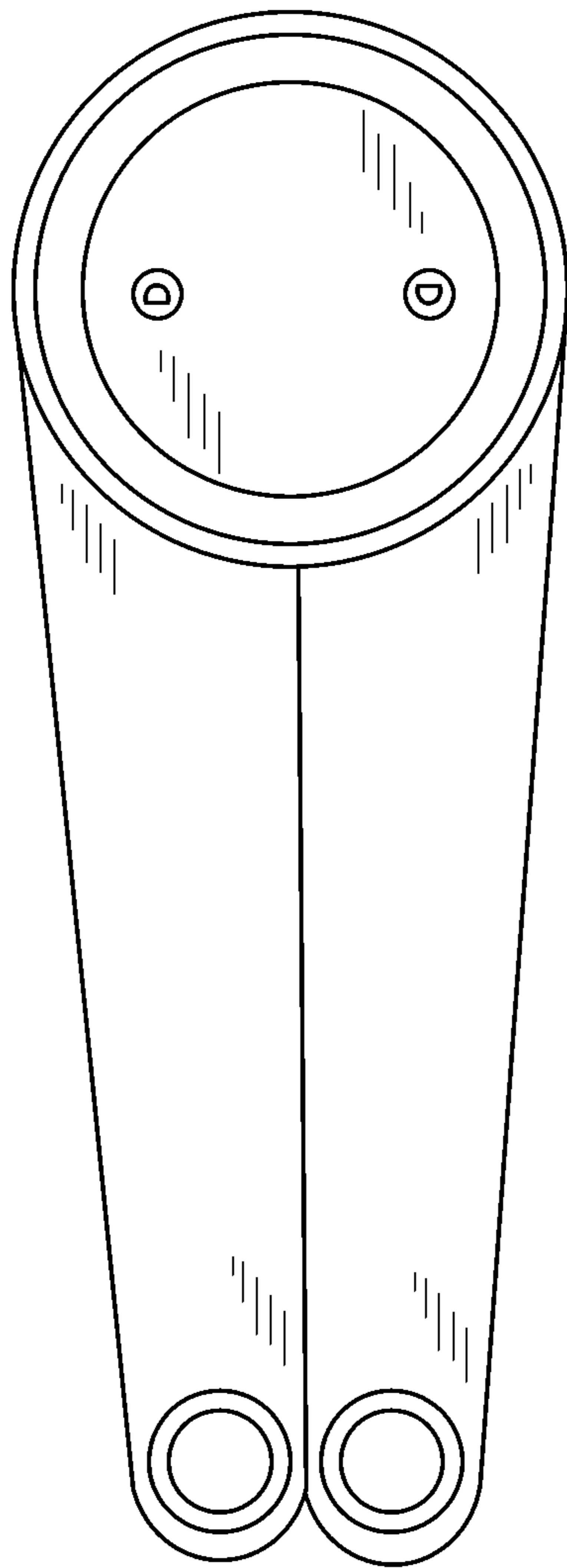


FIG. 5

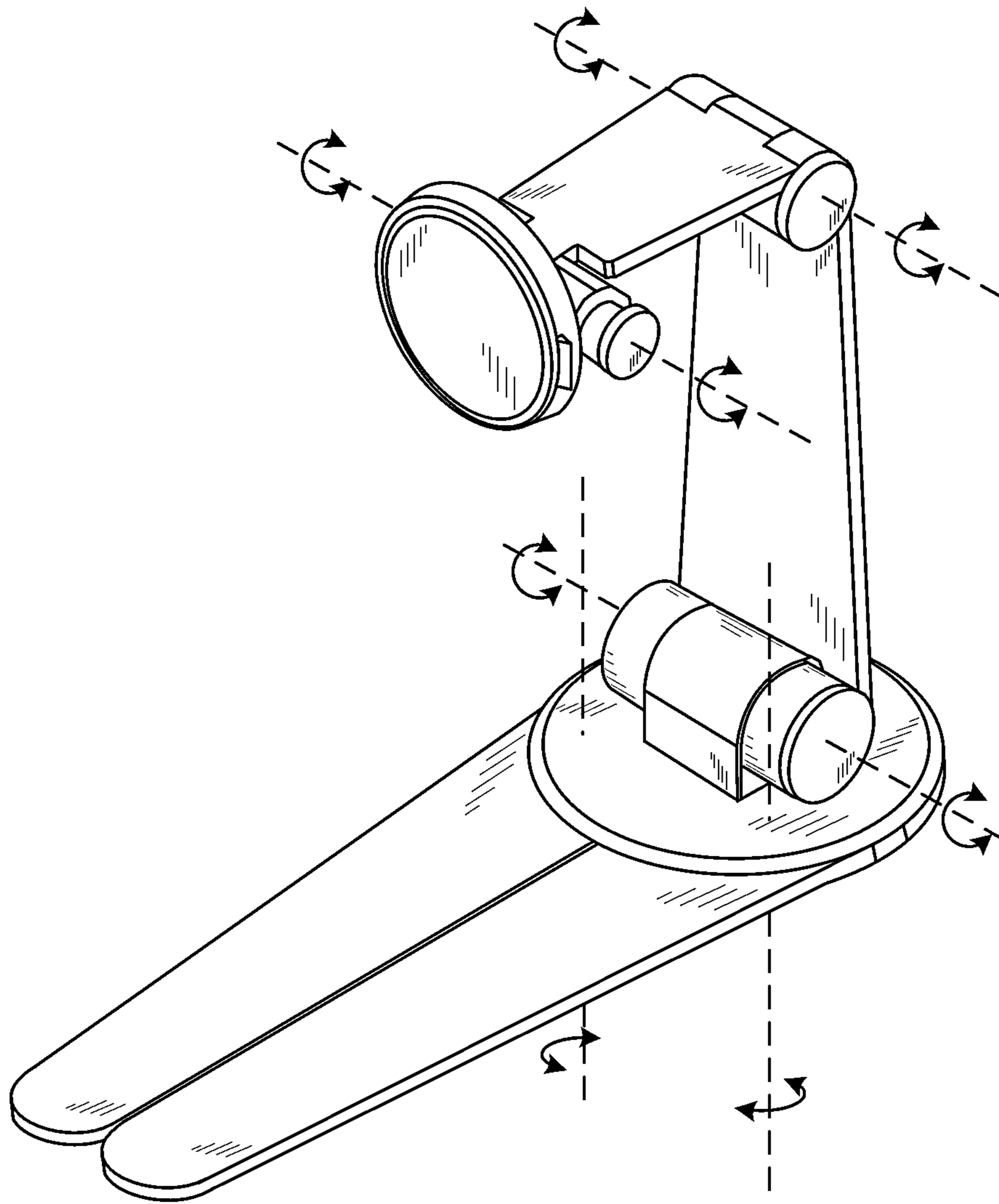


FIG. 6