

US00D690305S

(12) **United States Design Patent**
Wen

(10) **Patent No.:** **US D690,305 S**

(45) **Date of Patent:** **** Sep. 24, 2013**

(54) **TABLET COVER**

(76) **Inventor:** **Feng Wen, Dongguan (CN)**

(**) **Term:** **14 Years**

(21) **Appl. No.:** **29/422,633**

(22) **Filed:** **May 22, 2012**

(51) **LOC (9) Cl.** **14-02**

(52) **U.S. Cl.**
USPC **D14/440**

(58) **Field of Classification Search**
USPC D14/250, 251, 253, 240, 217, 496,
D14/440, 203.3, 203.4, 203.5, 203.8, 341,
D14/318; D3/218, 215, 201, 294, 289, 900;
220/4.02; 248/309.1; 361/679.56; 379/426,
379/433.11, 455; 455/575.1, 575.8; 190/100;
206/305, 320; D21/469
See application file for complete search history.

8,230,992	B2 *	7/2012	Law et al.	206/320
D665,812	S *	8/2012	Huang et al.	D14/447
8,235,208	B2 *	8/2012	Sirichai et al.	206/320
D670,703	S *	11/2012	Hasbrook et al.	D14/447
D672,353	S *	12/2012	Liu	D14/440
D672,781	S *	12/2012	Lu	D14/440
D677,261	S *	3/2013	Hsu et al.	D14/447
D677,668	S *	3/2013	Phillips et al.	D14/440
D678,272	S *	3/2013	Groene et al.	D14/345
D679,279	S *	4/2013	Yang et al.	D14/440
2001/0040561	A1 *	11/2001	Weinzierl et al.	345/169
2004/0202858	A1 *	10/2004	Lee	428/332
2009/0017883	A1 *	1/2009	Lin	455/575.8
2010/0294909	A1 *	11/2010	Hauser et al.	248/456
2010/0300909	A1 *	12/2010	Hung	206/320

(Continued)

Primary Examiner — Cynthia Underwood
(74) *Attorney, Agent, or Firm* — Clement Cheng

(57) **CLAIM**
The ornamental design for a tablet cover, as shown and described.

(56) **References Cited**

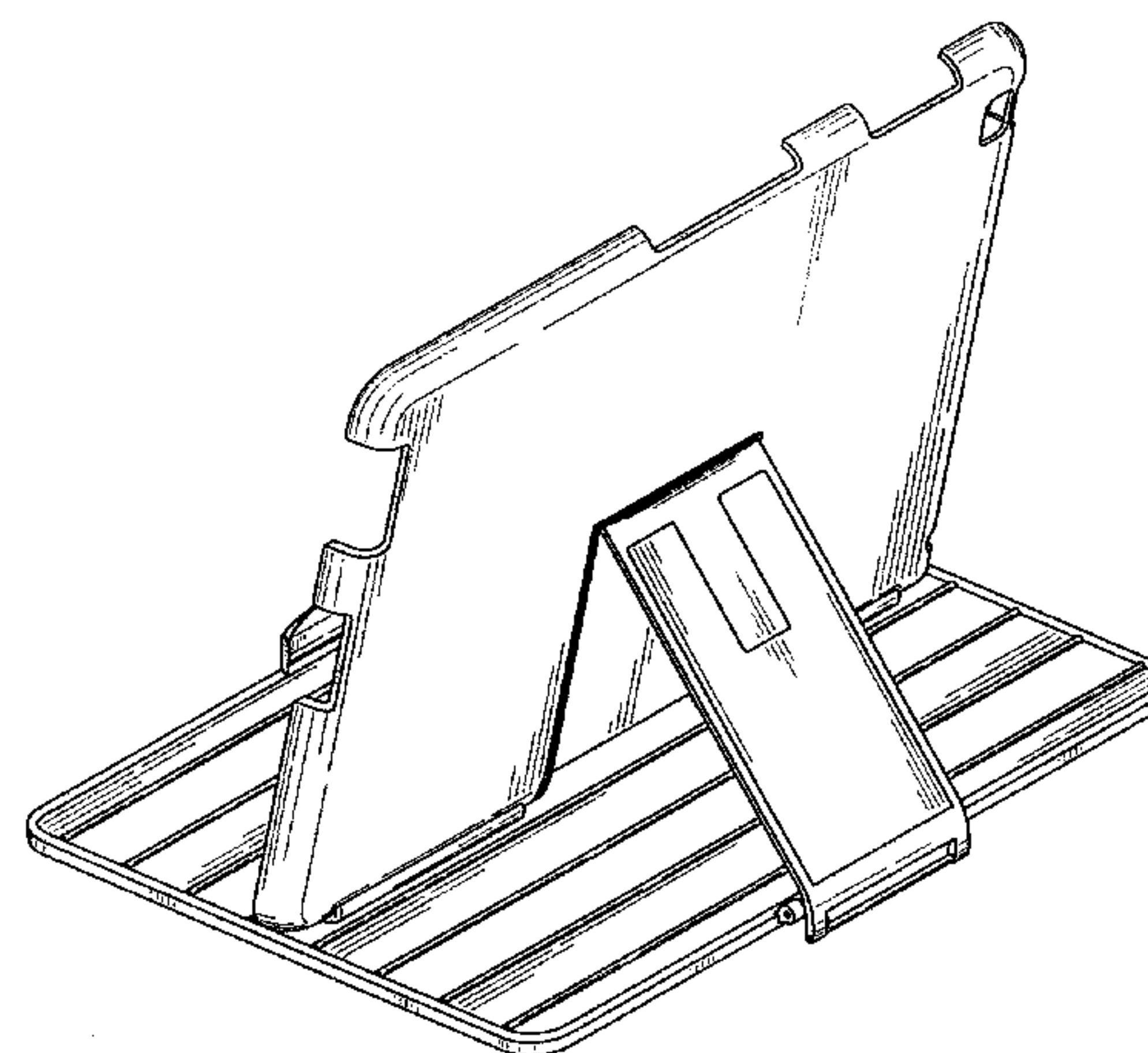
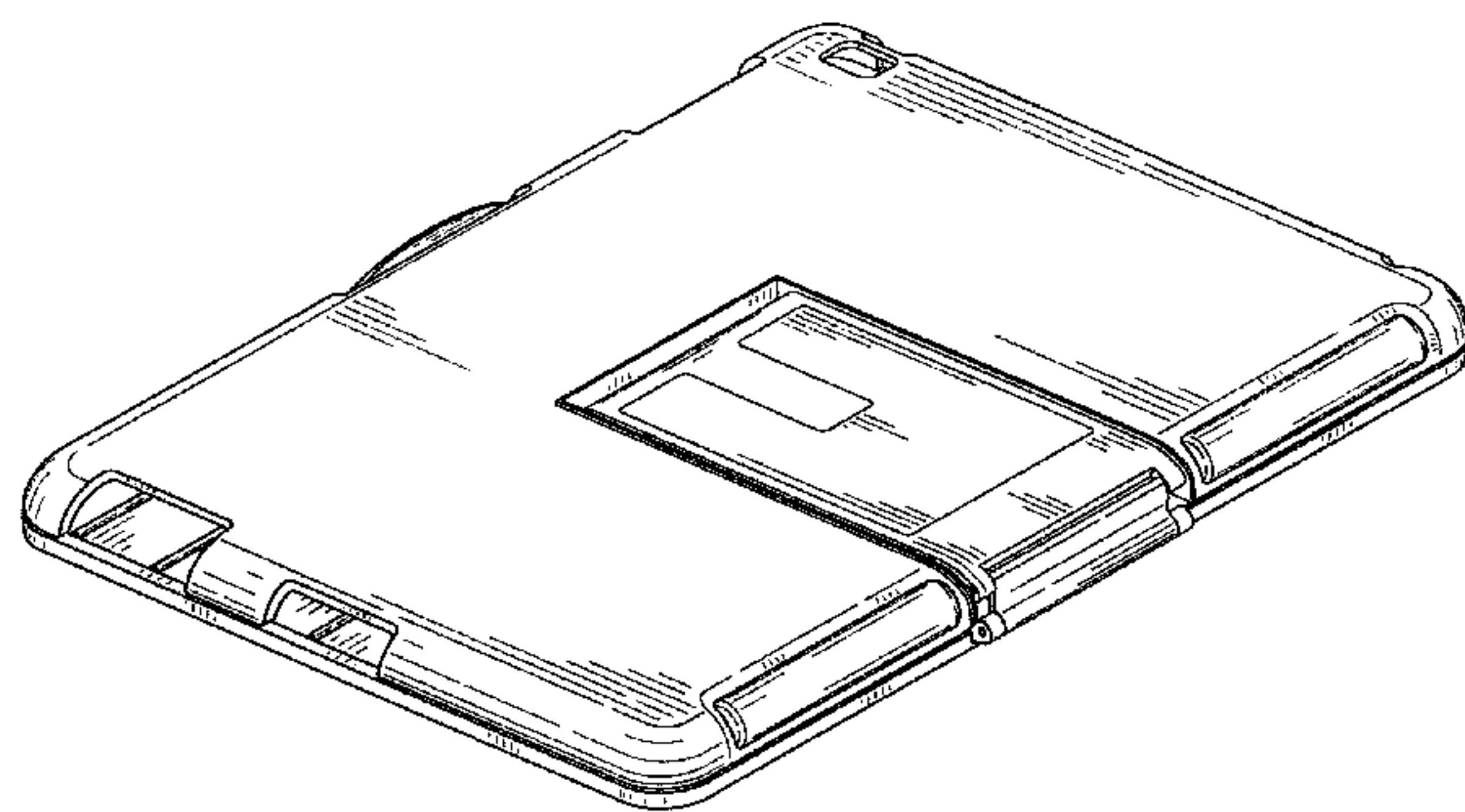
U.S. PATENT DOCUMENTS

2,354,782	A *	8/1944	Stradling et al.	281/16
D230,376	S *	2/1974	Frey	D19/91
4,259,568	A *	3/1981	Dynesen	235/1 D
4,703,160	A *	10/1987	Narishima et al.	235/1 D
4,718,550	A *	1/1988	Johnson	206/387.13
5,375,076	A *	12/1994	Goodrich et al.	361/679.17
5,480,118	A *	1/1996	Cross	248/459
D513,008	S *	12/2005	Takizawa et al.	D14/447
7,191,926	B1 *	3/2007	Costantino et al.	224/605
7,318,521	B2 *	1/2008	Lau	206/45.24
7,542,052	B2 *	6/2009	Solomon et al.	345/659
D641,348	S *	7/2011	Kim et al.	D14/250
D646,266	S *	10/2011	Kim et al.	D14/250
D657,354	S *	4/2012	Kim	D14/250
D658,877	S *	5/2012	Janus	D3/301
D659,139	S *	5/2012	Gengler	D14/392
D663,304	S *	7/2012	Akana et al.	D14/440

DESCRIPTION

FIG. 1 is a perspective view of the tablet cover in closed position.
FIG. 2 is a front view of the tablet cover in closed position.
FIG. 3 is a rear side view of the tablet cover in closed position.
FIG. 4 is a left side view of the tablet cover in closed position.
FIG. 5 is a right side view of the tablet cover in closed position.
FIG. 6 is a top view of the tablet cover in closed position.
FIG. 7 is a bottom view of the tablet cover in closed position.
FIG. 8 is a rear perspective view of the tablet cover in open position; and,
FIG. 9 is a front perspective view of the tablet cover in open position.

1 Claim, 6 Drawing Sheets



US D690,305 S

Page 2

(56)

References Cited

2012/0194448 A1* 8/2012 Rothkopf 345/173
2012/0211613 A1* 8/2012 Yang et al. 248/174

U.S. PATENT DOCUMENTS

2012/0043231 A1* 2/2012 Perrier et al. 206/216
2012/0170212 A1* 7/2012 Gallouzi et al. 361/679.56

* cited by examiner

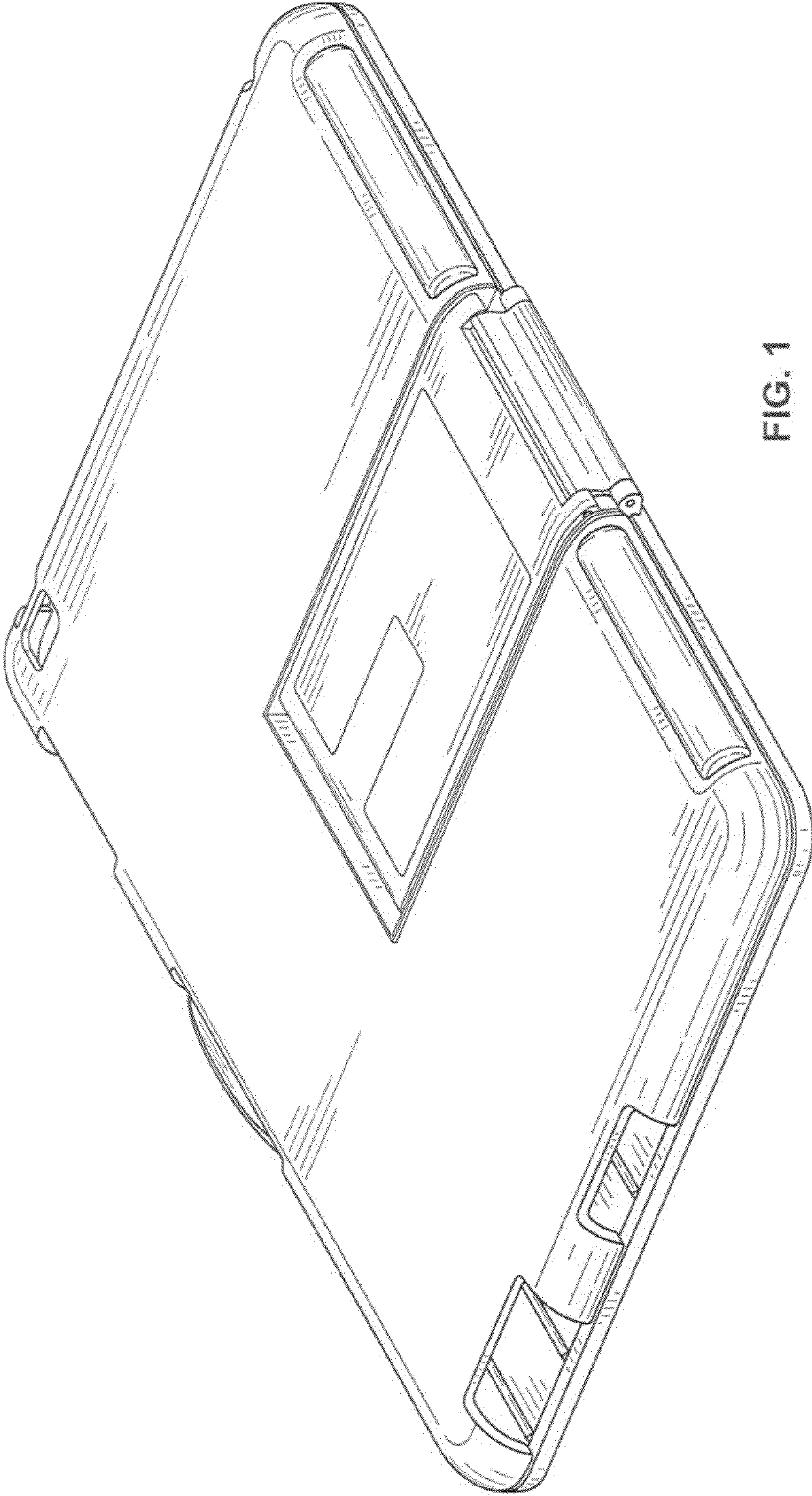


FIG. 1

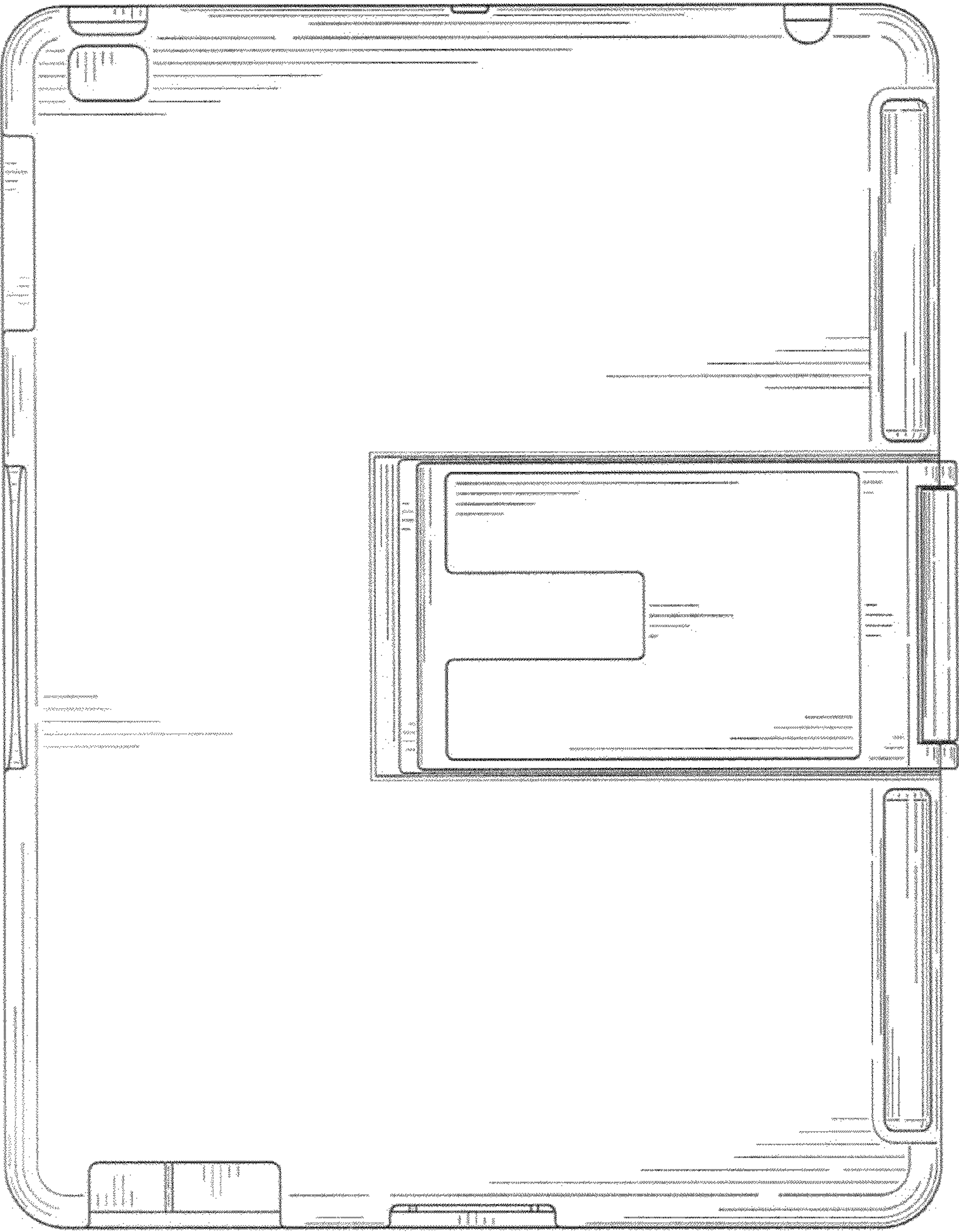


FIG. 2

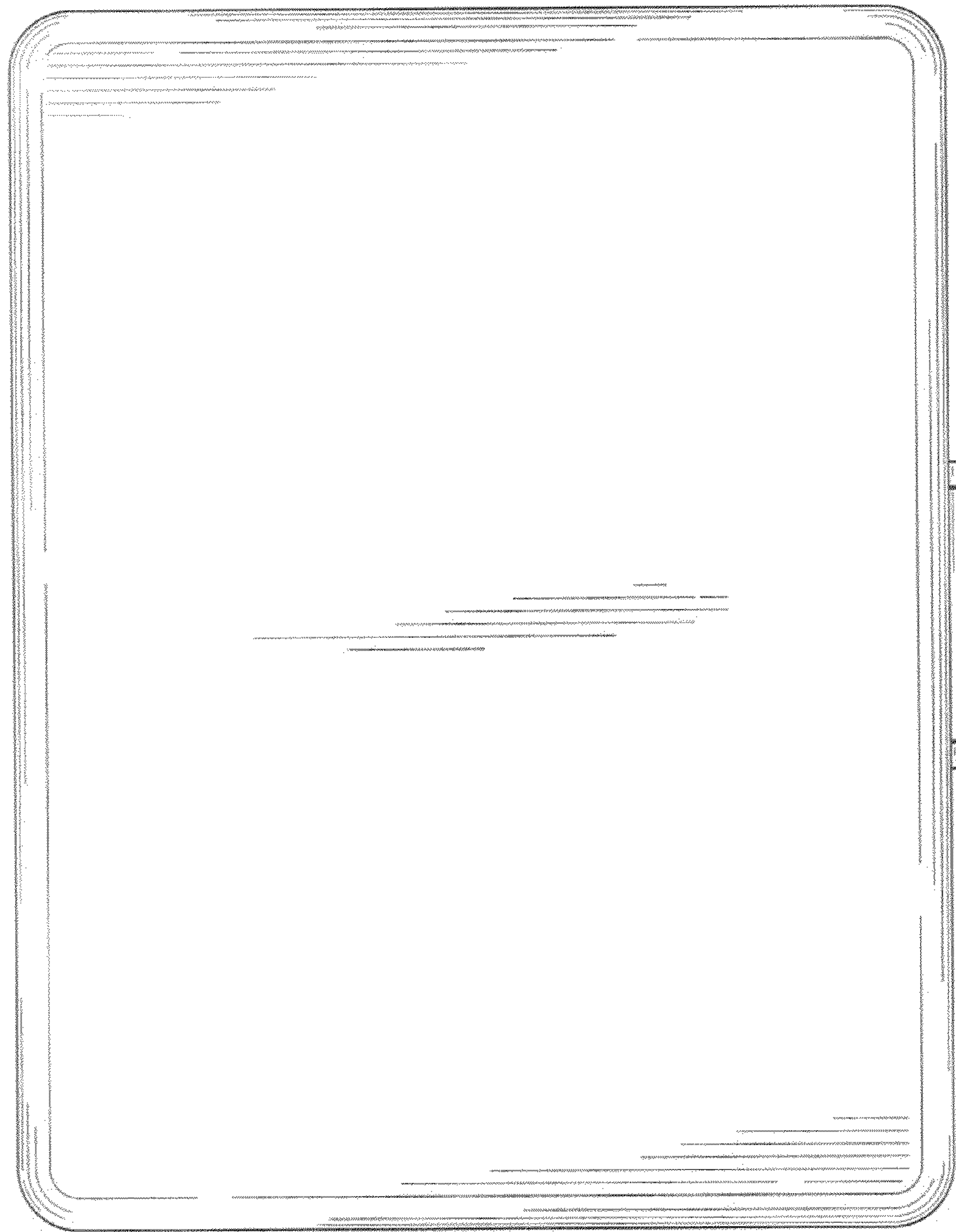


FIG. 3

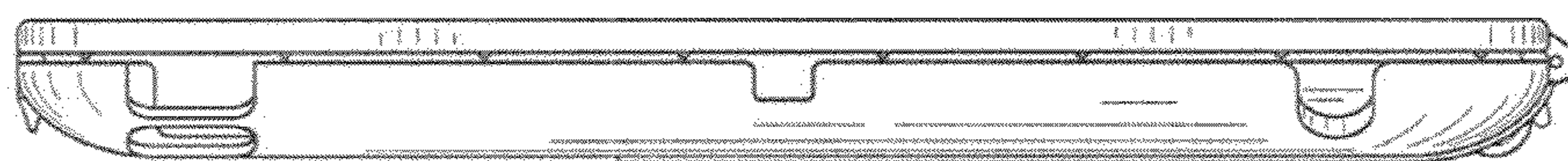


FIG. 4

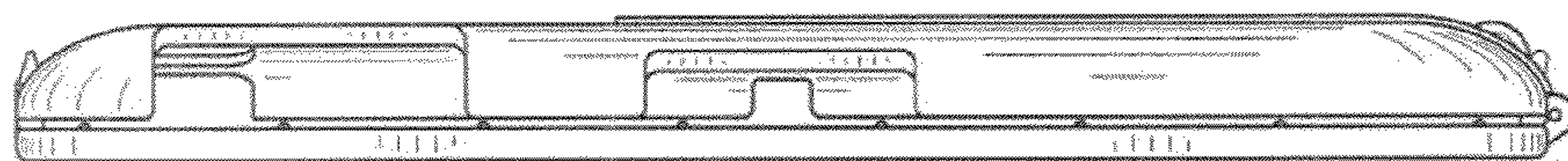


FIG. 5



FIG. 6



FIG. 7

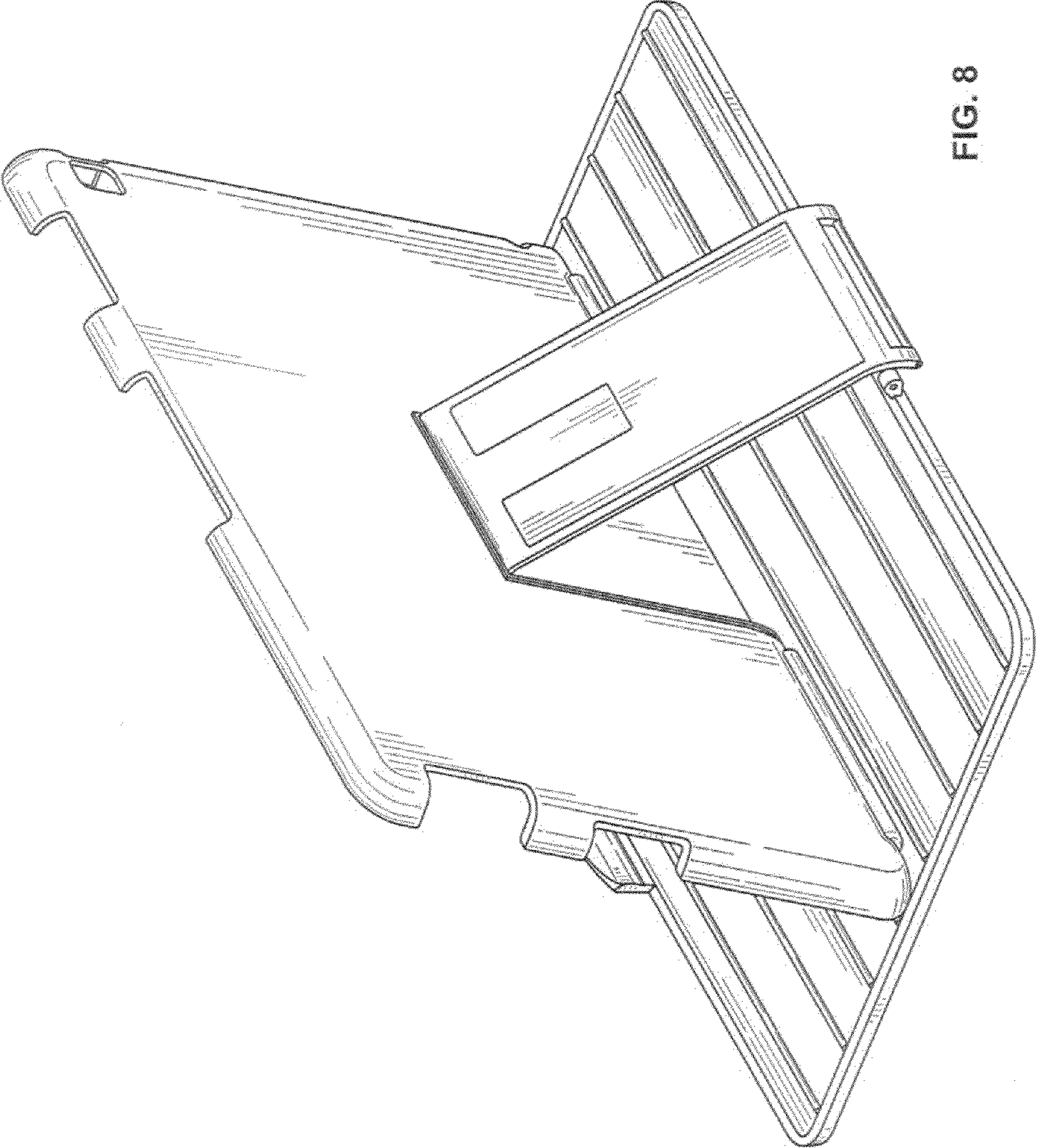


FIG. 8

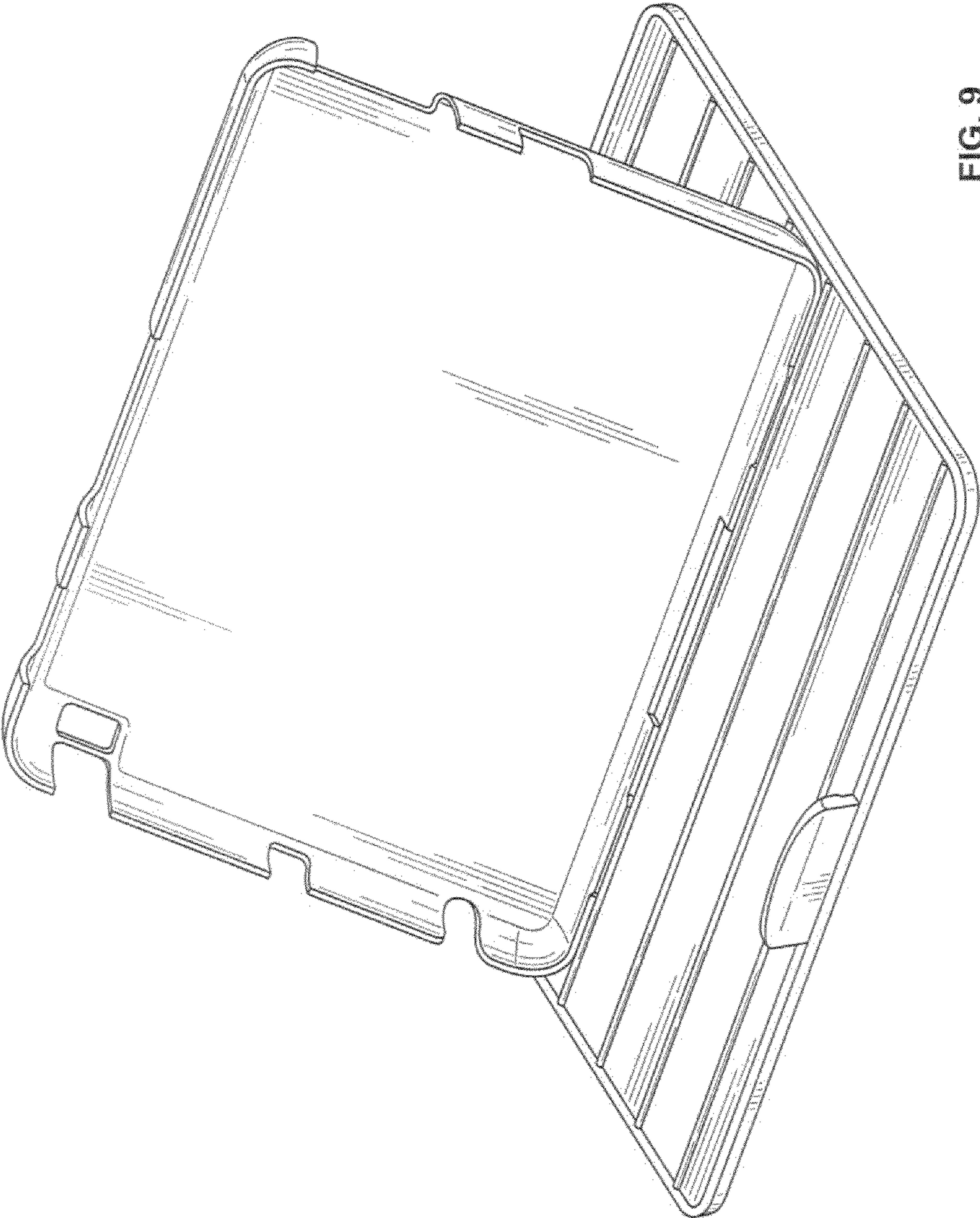


FIG. 9