



US00D690304S

(12) **United States Design Patent**
Lim

(10) **Patent No.:** **US D690,304 S**
(45) **Date of Patent:** **** Sep. 24, 2013**

(54) **SCANNER**

(75) Inventor: **Song-Chew Lim**, Kowloon (HK)

(73) Assignee: **Kenxen Limited**, Kowloon (HK)

(**) Term: **14 Years**

(21) Appl. No.: **29/407,478**

(22) Filed: **Nov. 30, 2011**

(51) **LOC (9) Cl.** **14-02**

(52) **U.S. Cl.**
USPC **D14/422**

(58) **Field of Classification Search**
USPC D14/420–425, 462–470, 389, 125,
D14/399; D18/50, 54, 55, 53, 36–39, 14,
D18/18–21, 49, 52, 51, 54.4; 358/400, 401,
358/448, 474, 486–488, 496; 382/312, 317,
382/321, 315;
400/613, 613.1–613.4, 690.1–690.4, 691–694,
400/88, 175; 399/107, 379, 380, 211, 212;
235/462.11, 462.41, 472.01, 470, 462.43;
361/680, 681

See application file for complete search history.

(56) **References Cited**

U.S. PATENT DOCUMENTS

3,597,587	A *	8/1971	Baum	219/243
D295,416	S *	4/1988	Glaberson	D14/422
D301,238	S *	5/1989	Makihara	D15/146
D302,812	S *	8/1989	Hiroki	D14/422
D314,212	S *	1/1991	Komada et al.	D18/40
D316,869	S *	5/1991	Sugawara et al.	D18/54
D332,623	S *	1/1993	Iwanaga	D18/53
D333,836	S *	3/1993	Kelemen et al.	D18/55
D338,215	S *	8/1993	Maruyama	D15/146
5,232,538	A *	8/1993	Liu	156/359
D340,232	S *	10/1993	Yoshida	D14/422
D342,271	S *	12/1993	Keng	D15/146
D342,532	S *	12/1993	Deni	D15/146

D350,364	S *	9/1994	Kawashima et al.	D18/50
D353,604	S *	12/1994	Prokop et al.	D15/146
D358,825	S *	5/1995	Kuhns	D15/146
D358,827	S *	5/1995	Fung	D15/146
D360,428	S *	7/1995	Hayashihara	D18/50
D361,554	S *	8/1995	Mochizuki et al.	D14/422
D366,650	S *	1/1996	McKinnon et al.	D14/422
D366,883	S *	2/1996	Reinders	D15/146
D369,148	S *	4/1996	Chen et al.	D14/422
D370,008	S *	5/1996	Cheng	D14/422
D370,025	S *	5/1996	Weng	D18/50
D372,467	S *	8/1996	Lee	D14/422
D372,902	S *	8/1996	Yu	D14/422
D379,469	S *	5/1997	Nobata	D18/50
D382,256	S *	8/1997	Lin	D14/422
D388,405	S *	12/1997	Lin	D14/422
D389,847	S *	1/1998	Huang	D15/146
D390,597	S *	2/1998	Igarashi et al.	D18/55
5,728,257	A *	3/1998	Lee	156/555
D394,429	S *	5/1998	Chen et al.	D14/422
D397,096	S *	8/1998	Chen et al.	D14/422
D399,251	S *	10/1998	McGlashan	D18/55
D401,617	S *	11/1998	Miyazawa	D18/40

(Continued)

Primary Examiner — Susan Moon Lee

(74) *Attorney, Agent, or Firm* — Jianq Chyun IP Office

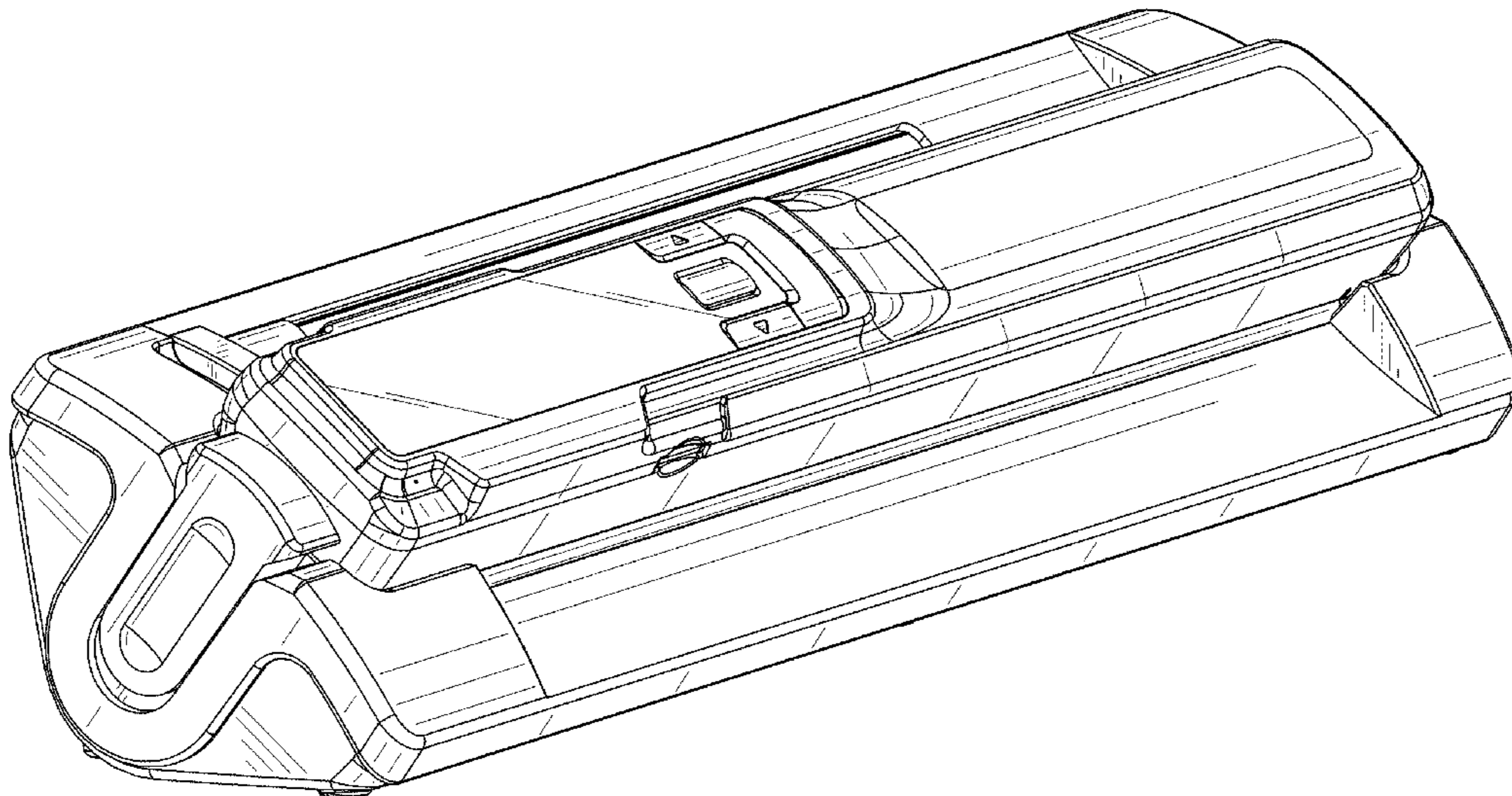
(57) **CLAIM**

The ornamental design for a scanner, as shown and described.

DESCRIPTION

FIG. 1 is a perspective view of a scanner showing our new design;
FIG. 2 is a front view thereof;
FIG. 3 is a rear view thereof;
FIG. 4 is a left side view thereof;
FIG. 5 is a right side view thereof;
FIG. 6 is a top view thereof;
FIG. 7 is a bottom view thereof; and,
FIG. 8 is another perspective view thereof, the scanning bar being detached from the base.

1 Claim, 8 Drawing Sheets



(56)

References Cited

U.S. PATENT DOCUMENTS

D401,965 S * 12/1998 Pangburn D18/55
 D402,969 S * 12/1998 Fujimoto D14/422
 5,853,531 A * 12/1998 Murphy et al. 156/555
 D407,712 S * 4/1999 Hasegawa D14/422
 D407,740 S * 4/1999 Ina et al. D18/53
 5,893,822 A * 4/1999 Deni et al. 53/512
 D411,228 S * 6/1999 Kobayashi et al. D18/50
 D412,013 S * 7/1999 Karten et al. D18/50
 D421,768 S * 3/2000 Blair et al. D18/50
 D422,570 S * 4/2000 Kobayashi D14/509
 D424,102 S * 5/2000 Igarashi D18/54
 D424,610 S * 5/2000 Scarton et al. D18/55
 D426,240 S * 6/2000 Senda D14/420
 D432,164 S * 10/2000 Benedetto D18/55
 6,131,636 A * 10/2000 Anderson et al. 156/555
 6,152,630 A * 11/2000 Scarton et al. 400/642
 D439,607 S * 3/2001 Inoue et al. D18/54
 D440,992 S * 4/2001 Parson et al. D15/146
 D441,774 S * 5/2001 Cheng D15/146
 D441,775 S * 5/2001 Cheng D15/146
 D442,199 S * 5/2001 Cheng D15/146
 D443,883 S * 6/2001 Reuter D15/146
 D443,889 S * 6/2001 Yamano et al. D18/50
 D450,345 S * 11/2001 Miyazaki D18/50
 D452,706 S * 1/2002 Senshiki D18/55
 D453,171 S * 1/2002 Cheng D15/146
 D453,172 S * 1/2002 Cheng D15/146
 D463,485 S * 9/2002 Yoshida et al. D18/50
 D466,552 S * 12/2002 Hwang et al. D18/55
 D466,922 S * 12/2002 Tashiro D18/54
 6,557,992 B1 * 5/2003 Dwyer et al. 347/108
 D478,119 S * 8/2003 Hwang et al. D18/55
 D480,752 S * 10/2003 Tatara et al. D18/55
 D482,387 S * 11/2003 Tatara et al. D18/55
 D483,059 S * 12/2003 Goh et al. D18/50
 D483,060 S * 12/2003 Wong et al. D18/50
 6,676,318 B2 * 1/2004 Hwang et al. 400/693
 D486,178 S * 2/2004 Wong et al. D18/55
 D486,514 S * 2/2004 Oba D18/50
 D489,401 S * 5/2004 Senshiki et al. D18/54
 D492,960 S * 7/2004 Takizawa D18/54
 6,786,665 B2 * 9/2004 Hwang et al. 400/693
 D497,940 S * 11/2004 Hwang et al. D18/50
 6,899,422 B2 * 5/2005 Strowe et al. 347/108
 6,899,474 B2 * 5/2005 Uchida et al. 400/27
 D506,214 S * 6/2005 Zepter D15/146
 D512,734 S * 12/2005 Messina et al. D15/146
 6,991,331 B2 * 1/2006 Kagami et al. 347/108

D515,601 S * 2/2006 Sholzberg et al. D15/146
 6,994,142 B2 * 2/2006 Murphy et al. 156/359
 7,029,113 B2 * 4/2006 Hwang 347/108
 D523,469 S * 6/2006 Hwang et al. D18/50
 D524,851 S * 7/2006 Wong et al. D18/55
 D525,295 S * 7/2006 Suzuki et al. D18/55
 D530,364 S * 10/2006 Huang D18/55
 D533,897 S * 12/2006 Workman et al. D18/34.3
 D534,192 S * 12/2006 Kiple et al. D15/145
 D534,204 S * 12/2006 Workman et al. D18/34.3
 D536,731 S * 2/2007 Tate et al. D18/50
 D539,336 S * 3/2007 Goh et al. D18/46
 D543,583 S * 5/2007 Workman et al. D18/34.3
 D544,508 S * 6/2007 Beno et al. D15/146
 D545,354 S * 6/2007 Whittall et al. D18/50
 7,290,952 B2 * 11/2007 Kagami 400/693
 D563,413 S * 3/2008 Kuroda et al. D14/422
 D579,957 S * 11/2008 Kiple et al. D15/145
 D608,803 S * 1/2010 Hageman et al. D15/146
 D614,214 S * 4/2010 Vander Woude D15/127
 D620,492 S * 7/2010 Tang et al. D14/422
 D624,544 S * 9/2010 Kuroda et al. D14/422
 D624,545 S * 9/2010 Kuroda et al. D14/422
 D624,546 S * 9/2010 Kuroda et al. D14/422
 D624,547 S * 9/2010 Kuroda et al. D14/422
 D631,479 S * 1/2011 Komuro et al. D14/422
 D633,118 S * 2/2011 Beatty et al. D15/146
 D636,776 S * 4/2011 Kuroda et al. D14/422
 7,922,170 B2 * 4/2011 Ngai 271/162
 D637,191 S * 5/2011 Kuroda et al. D14/422
 D638,018 S * 5/2011 Kuroda et al. D14/422
 D652,445 S * 1/2012 Burton et al. D18/50
 D656,180 S * 3/2012 Corcoran et al. D18/34.3
 D658,694 S * 5/2012 Day et al. D15/146
 D663,331 S * 7/2012 Day et al. D15/146
 D667,858 S * 9/2012 Crutchley et al. D15/146
 D669,081 S * 10/2012 Iwai et al. D14/422
 D679,739 S * 4/2013 Crutchley et al. D15/146
 D680,157 S * 4/2013 Umezawa et al. D18/34.3
 D682,328 S * 5/2013 Day et al. D15/146
 D682,329 S * 5/2013 Day et al. D15/146
 D682,834 S * 5/2013 Ishikawa et al. D14/422
 2003/0030712 A1 * 2/2003 Kawaguchi et al. 347/104
 2003/0206762 A1 * 11/2003 Hwang et al. 400/693
 2004/0207144 A1 * 10/2004 Kanome et al. 271/9.01
 2005/0022480 A1 * 2/2005 Brakes 53/512
 2005/0217101 A1 * 10/2005 Small 29/450
 2005/0247405 A1 * 11/2005 Murphy et al. 156/359
 2006/0151120 A1 * 7/2006 Matlin et al. 156/583.1
 2007/0012152 A1 * 1/2007 Workman et al. 83/614

* cited by examiner

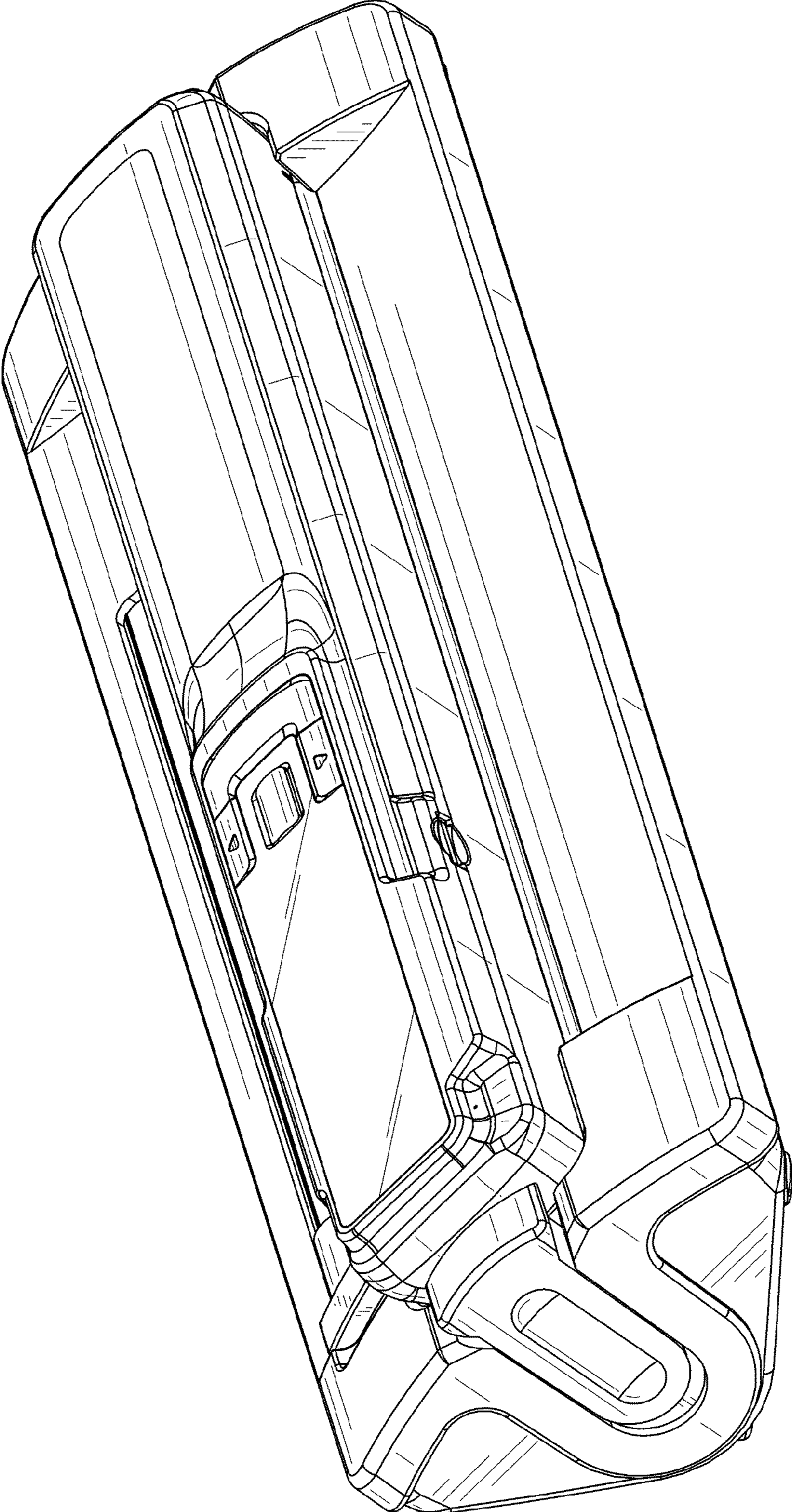


FIG. 1

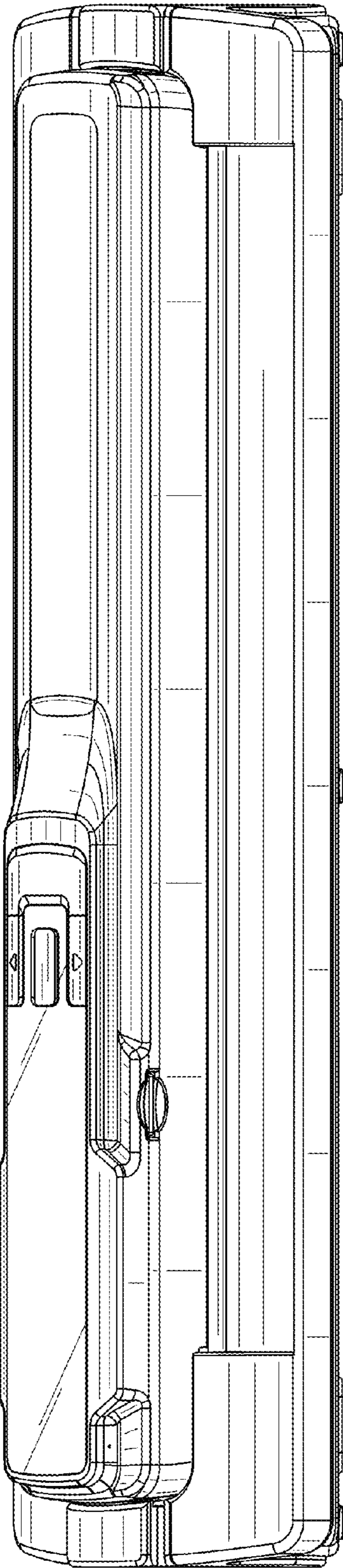


FIG. 2

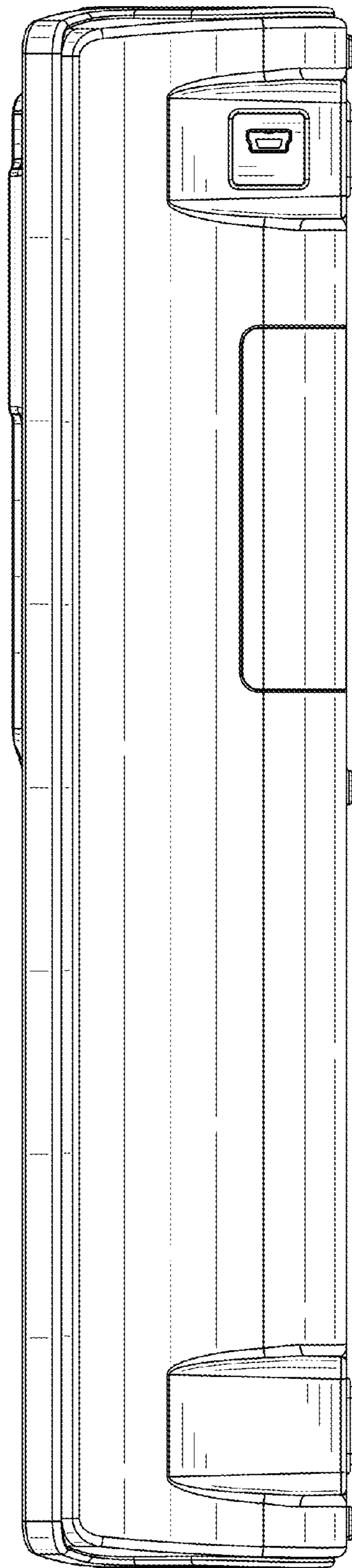


FIG. 3

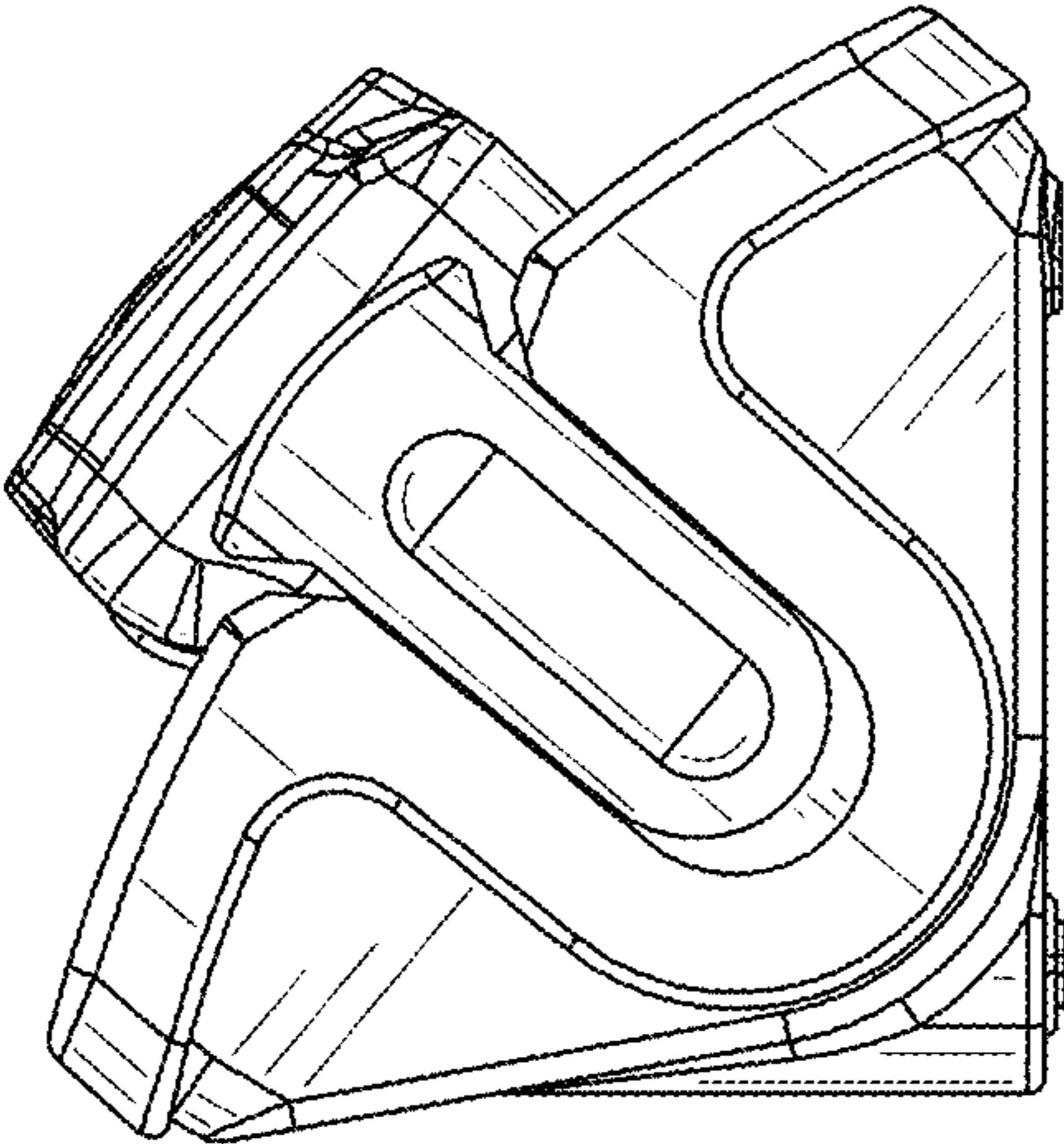


FIG. 4

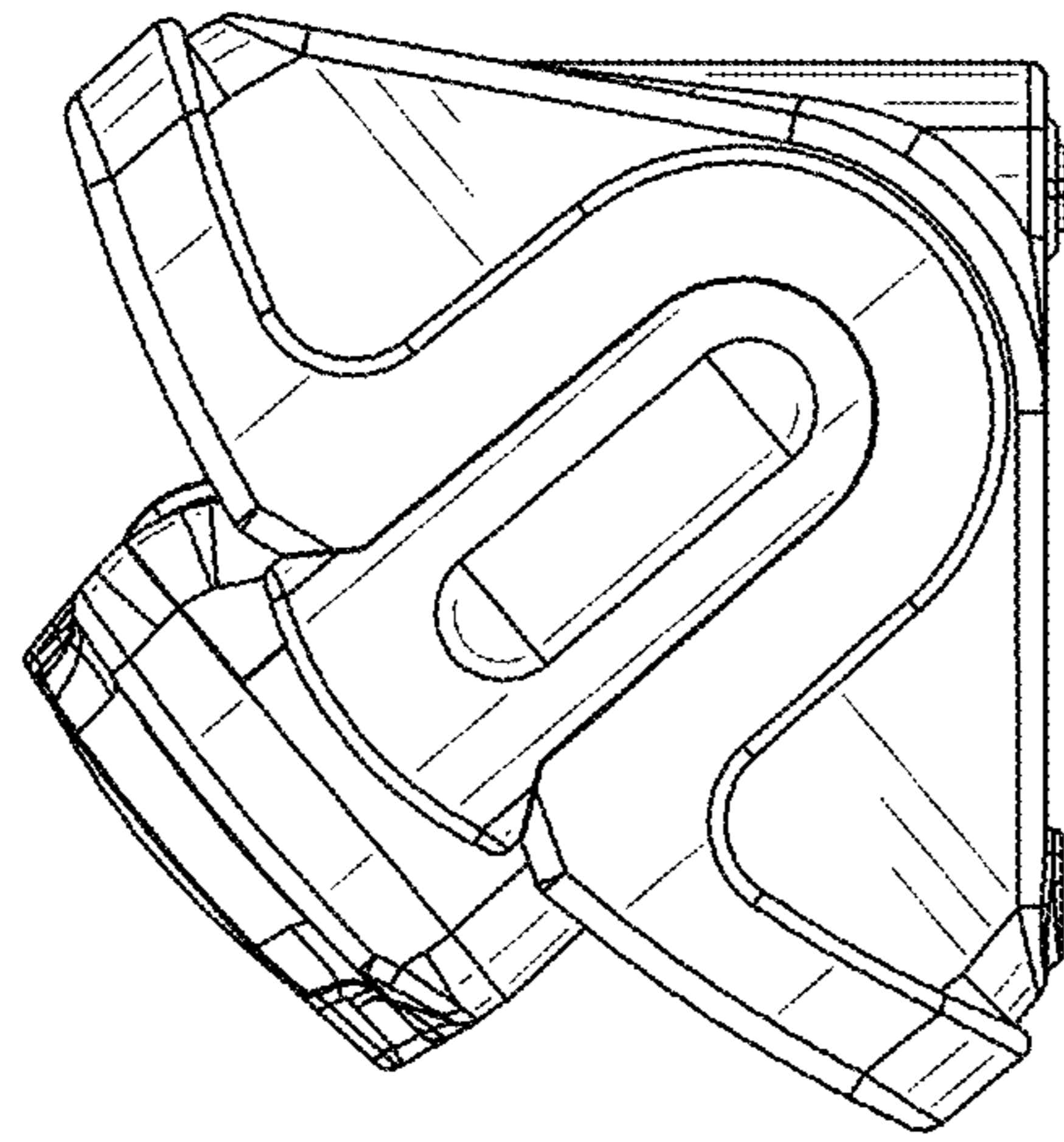


FIG. 5

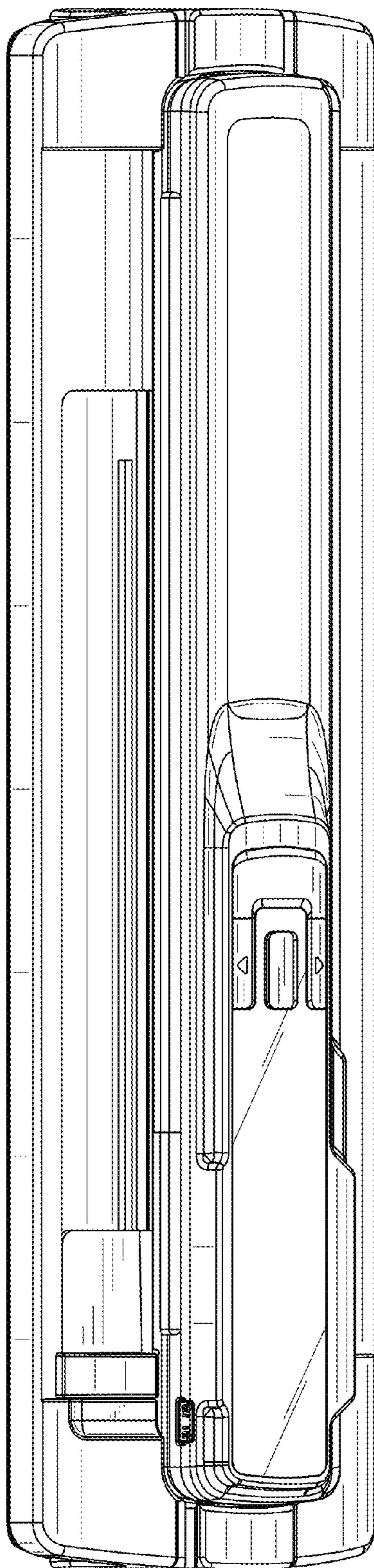


FIG. 6

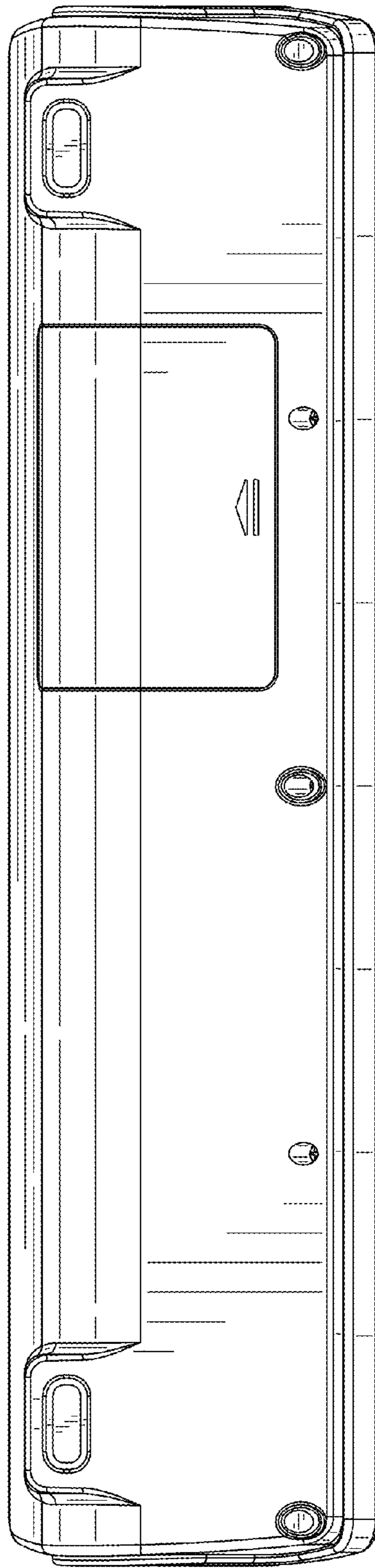


FIG. 7

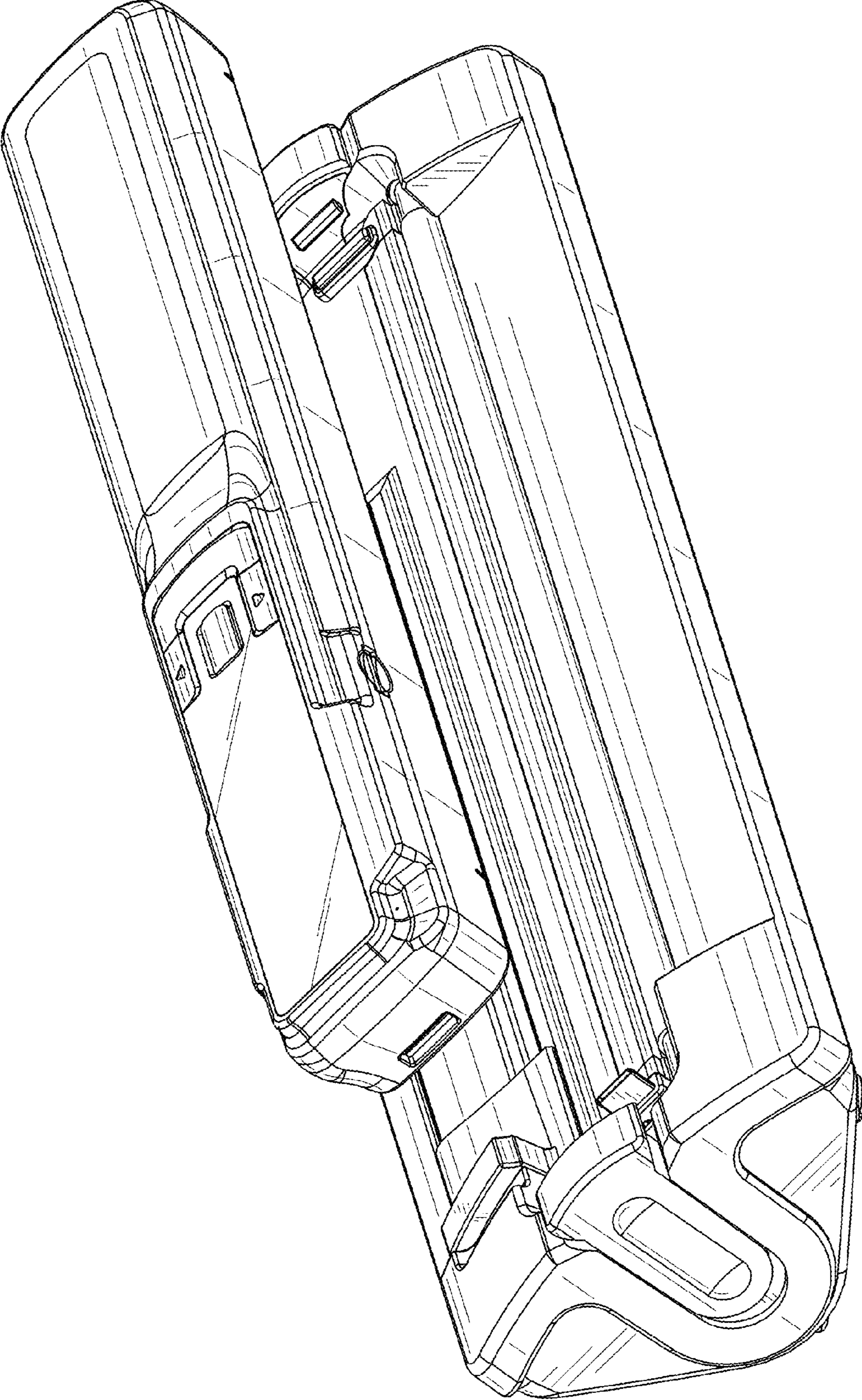


FIG. 8