



US00D690303S

(12) **United States Design Patent**
Avery

(10) **Patent No.:** **US D690,303 S**

(45) **Date of Patent:** **** Sep. 24, 2013**

(54) **EDUCATIONAL APPARATUS**

(71) Applicant: **LeapFrog Enterprises, Inc.**,
Emeryville, CA (US)

(72) Inventor: **Jason Avery**, San Francisco, CA (US)

(73) Assignee: **Leapfrog Enterprises, Inc.**, Emeryville,
CA (US)

(**) Term: **14 Years**

(21) Appl. No.: **29/452,346**

(22) Filed: **Apr. 15, 2013**

(51) **LOC (9) Cl.** **14-02**

(52) **U.S. Cl.**
USPC **D14/411; D14/167**

(58) **Field of Classification Search**
USPC D8/61; D14/411; D19/35, 36, 41-51,
D19/54-58; 401/55, 99, 100, 104-107, 196,
401/197, 202, 208, 209, 213, 192, 195, 243;
708/107; 345/179, 173; 178/19.01; 700/94
See application file for complete search history.

(56) **References Cited**

U.S. PATENT DOCUMENTS

D541,858 S *	5/2007	Yeh	D19/44
D547,800 S *	7/2007	Gallay et al.	D19/41
D576,209 S *	9/2008	Huang	D19/44
D613,738 S *	4/2010	Daniel	D14/346
D613,742 S *	4/2010	Avery et al.	D14/411

D614,628 S *	4/2010	Taylor et al.	D14/431
D619,579 S *	7/2010	Flores Rodrigues Vieira	D14/411
D620,490 S *	7/2010	Avery et al.	D14/411
D631,465 S *	1/2011	Lipsky et al.	D14/167
D632,673 S *	2/2011	Isaias	D14/218
D634,783 S *	3/2011	Papenfuss	D19/51
D658,183 S *	4/2012	Avery	D14/411
D670,698 S *	11/2012	Åhman et al.	D14/411
D674,795 S *	1/2013	Wilson et al.	D14/411
2005/0083315 A1 *	4/2005	Pei	345/179
2009/0002346 A1 *	1/2009	Henning et al.	345/179

* cited by examiner

Primary Examiner — Austin Murphy

(74) *Attorney, Agent, or Firm* — Kilpatrick Townsend &
Stockton LLP

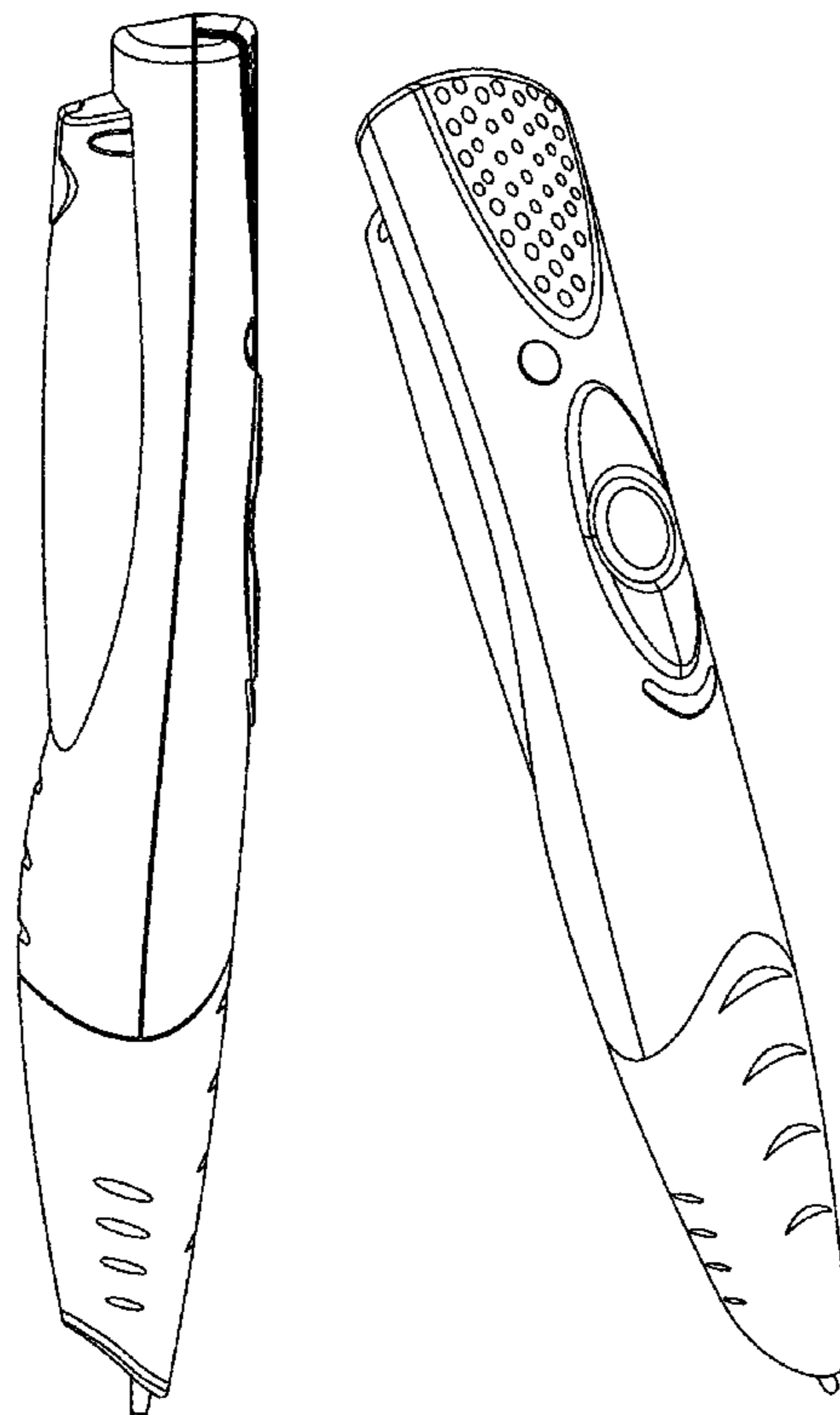
(57) **CLAIM**

The ornamental design for educational apparatus, as shown
and described.

DESCRIPTION

FIG. 1 is a left side elevation view of an educational apparatus
showing my new design;
FIG. 2 is a right side elevation view thereof;
FIG. 3 is a front elevation view thereof;
FIG. 4 is a back elevation view thereof;
FIG. 5 is a top elevation view thereof;
FIG. 6 is a bottom elevation view thereof;
FIG. 7 is a perspective view thereof; and,
FIG. 8 is another perspective view thereof.

1 Claim, 5 Drawing Sheets



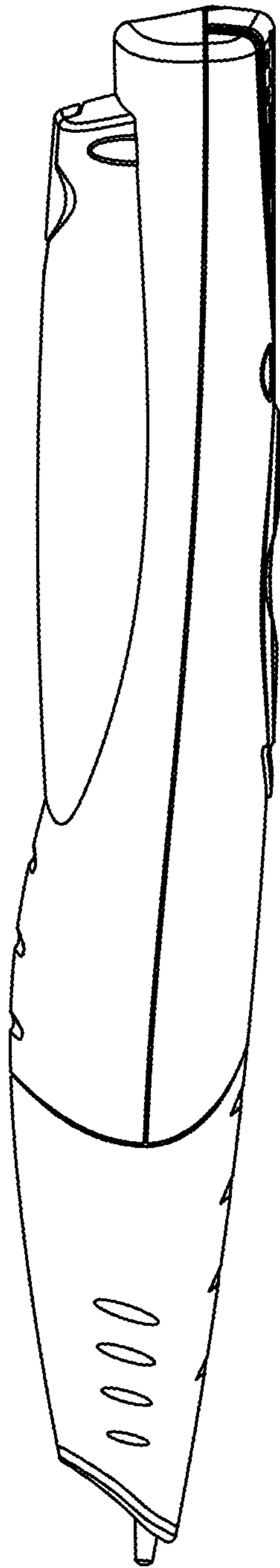


FIG. 1



FIG. 2

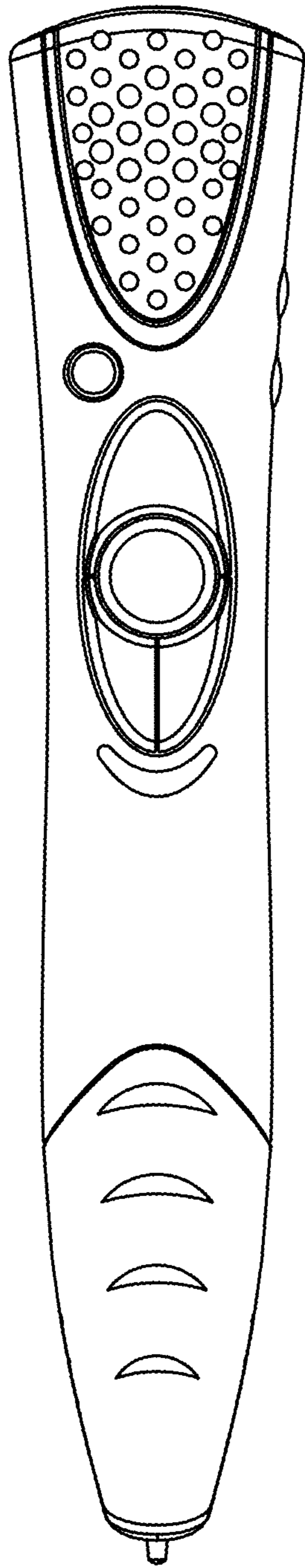


FIG. 3

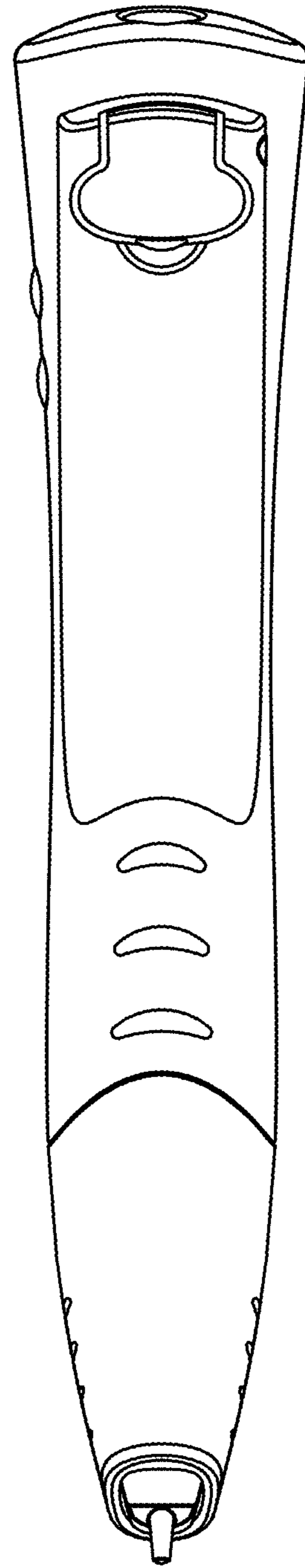


FIG. 4

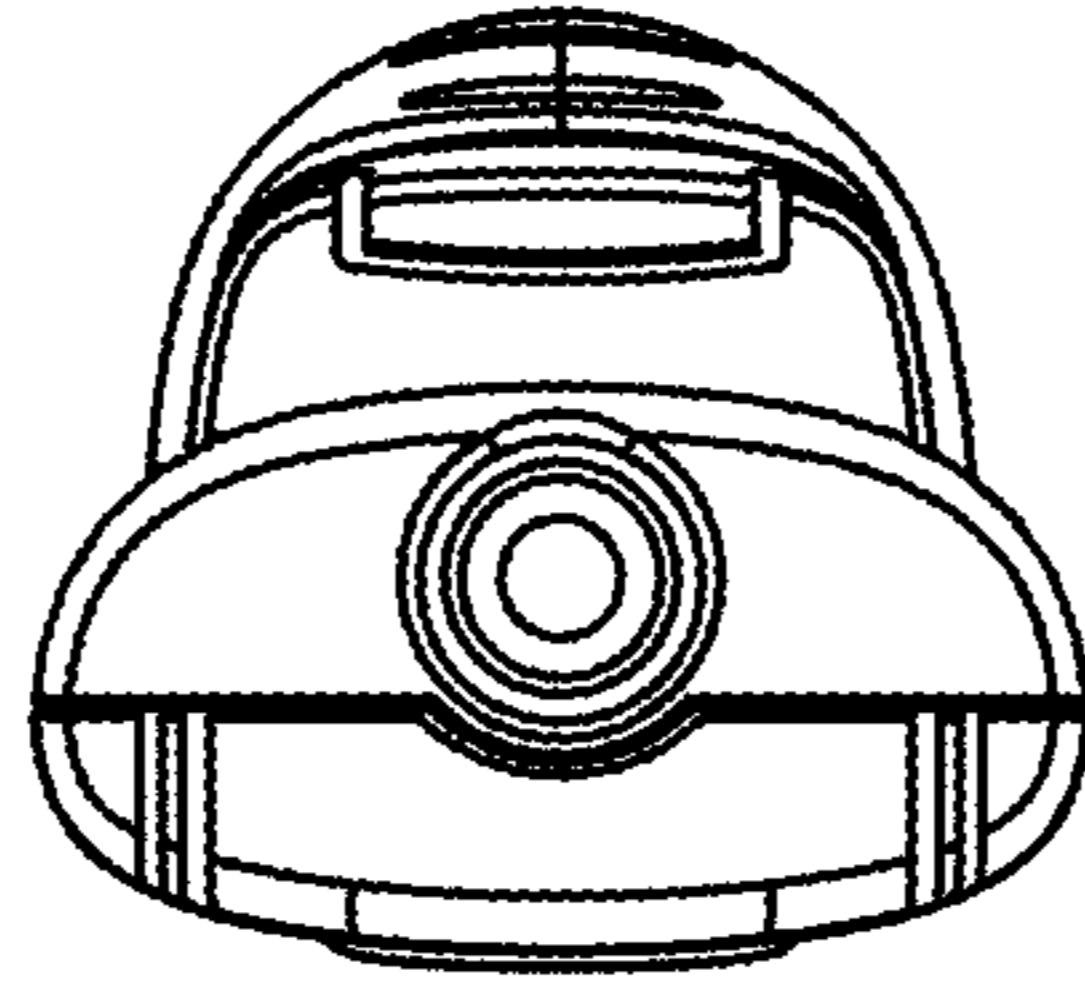


FIG. 5

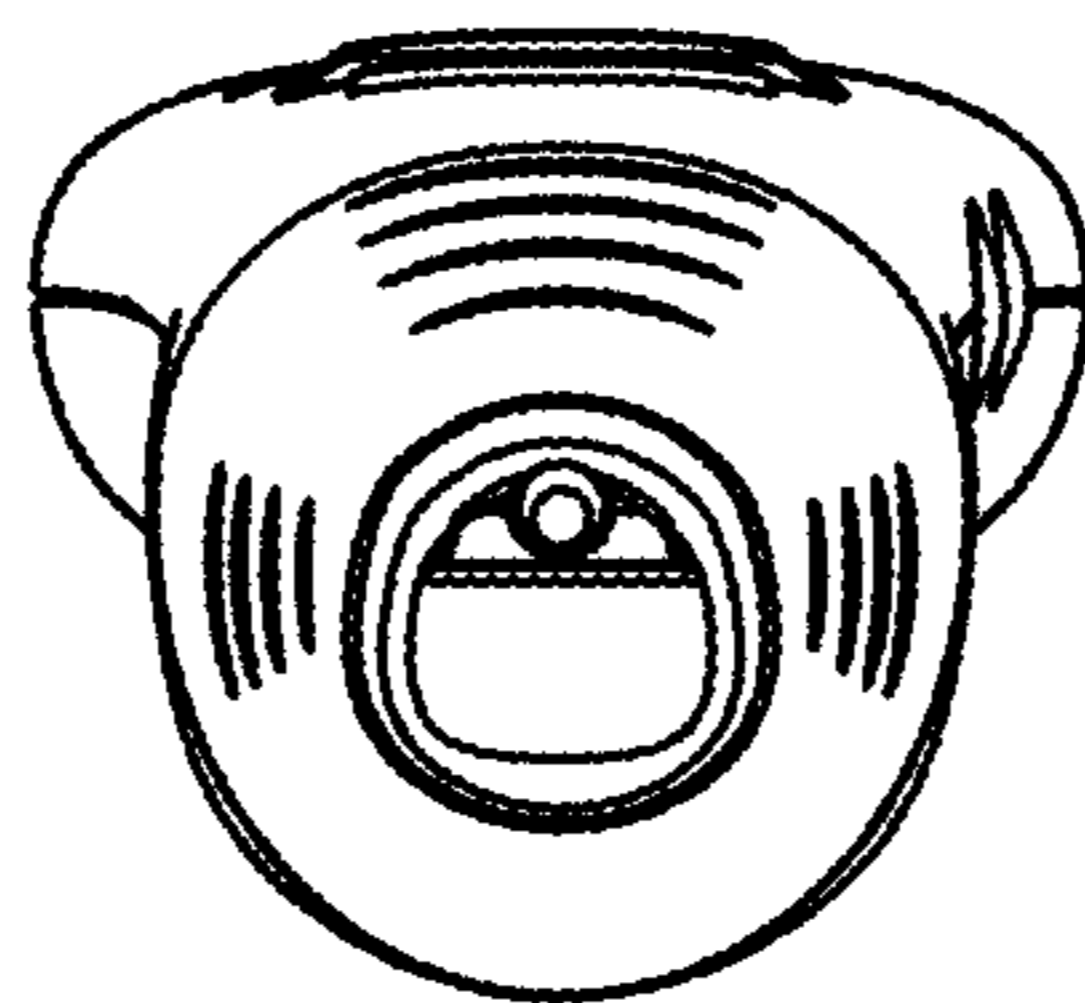


FIG. 6

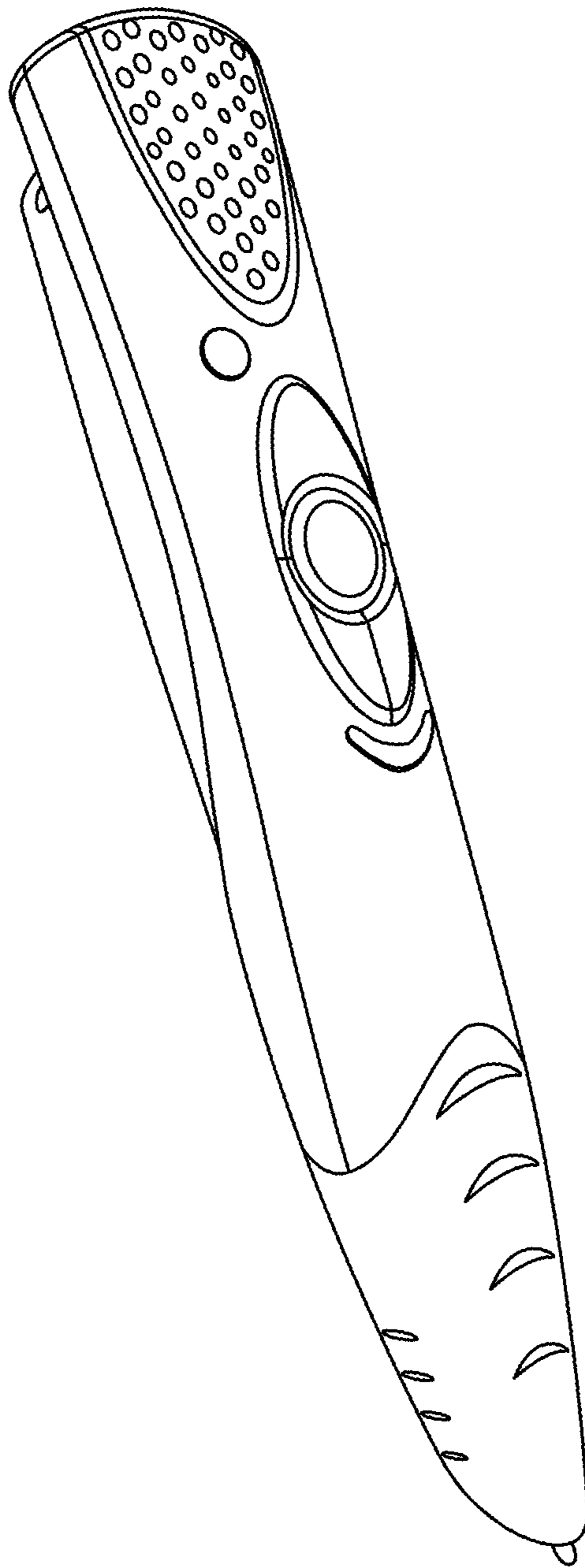


FIG. 7

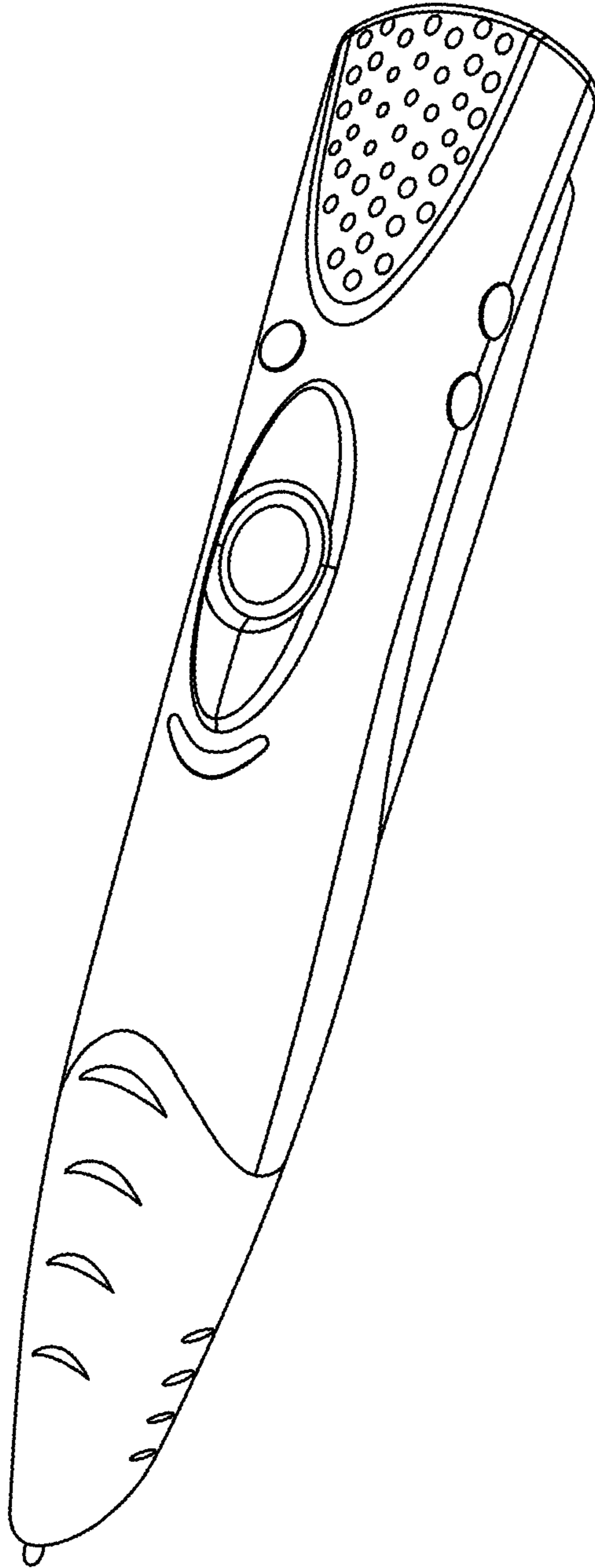


FIG. 8