



US00D690296S

(12) **United States Design Patent**  
**Wesolek**

(10) **Patent No.:** **US D690,296 S**

(45) **Date of Patent:** **\*\* Sep. 24, 2013**

(54) **TABLET COMPUTER**

(75) Inventor: **Bryan J. Wesolek**, Chesterton, IN (US)

(73) Assignee: **Data Ltd., Inc.**, La Porte, IN (US)

(\*\*) Term: **14 Years**

(21) Appl. No.: **29/384,584**

(22) Filed: **Feb. 1, 2011**

(51) **LOC (9) Cl.** ..... **14-02**

(52) **U.S. Cl.**  
USPC ..... **D14/341**

(58) **Field of Classification Search**

USPC ..... D14/341-347, 137, 138, 138.1, 138 A,  
D14/138 AA, 138 R, 138 AB, 138 AC, 138 AD,  
D14/138 C, 138 G, 496, 203.1, 203.3, 203.4,  
D14/203.5, 203.7, 426, 427, 432, 429, 129,  
D14/130, 420, 439-441, 448, 125, 147, 156,  
D14/218, 247-248, 250, 389, 388, 315-318;  
D10/65, 104; D18/6-7; D21/324, 329, 330;  
D19/26, 59, 60; 455/556.1, 556.2, 566, 575.1,  
455/90.3; 379/433.04, 433.01, 433.06, 916;  
345/169, 173, 901, 905; 361/679.26, 679.27,  
361/679.3, 679.55, 679.56

See application file for complete search history.

(56) **References Cited**

U.S. PATENT DOCUMENTS

4,387,297 A	6/1983	Swartz et al.
4,460,120 A	7/1984	Shepard et al.
4,593,186 A	6/1986	Swartz et al.
4,758,717 A	7/1988	Shepard et al.
4,806,742 A	2/1989	Swartz et al.
4,816,660 A	3/1989	Swartz et al.
4,825,057 A	4/1989	Swartz et al.
4,835,374 A	5/1989	Swartz et al.
4,896,026 A	1/1990	Krichever et al.
4,897,532 A	1/1990	Swartz et al.
D305,884 S	2/1990	Krichever et al.

D305,885 S	2/1990	Barkan et al.
D315,549 S	3/1991	Clough et al.
5,012,389 A	4/1991	Perry
5,015,833 A	5/1991	Shepard et al.
5,017,765 A	5/1991	Shepard et al.
5,019,677 A	5/1991	Menen
5,021,641 A	6/1991	Swartz et al.
D320,013 S	9/1991	Siemiatkowski et al.
5,075,538 A	12/1991	Swartz et al.
5,080,456 A	1/1992	Katz et al.
D325,573 S	4/1992	Glegg et al.

(Continued)

*Primary Examiner* — Barbara Fox

(74) *Attorney, Agent, or Firm* — Stites & Harbison PLLC;  
Juan Carlos A. Marquez, Esq.

(57) **CLAIM**

I claim the ornamental design for the tablet computer, as shown and described.

**DESCRIPTION**

FIG. 1 is front perspective view of a tablet computer showing the new design;

FIG. 2 is a front plan view of the tablet computer depicted in FIG. 1;

FIG. 3 is a rear perspective view of the tablet computer depicted in FIG. 1;

FIG. 4 is a rear plan view of the tablet computer depicted in FIG. 1;

FIG. 5 is a bottom plan view of the tablet computer depicted in FIG. 1;

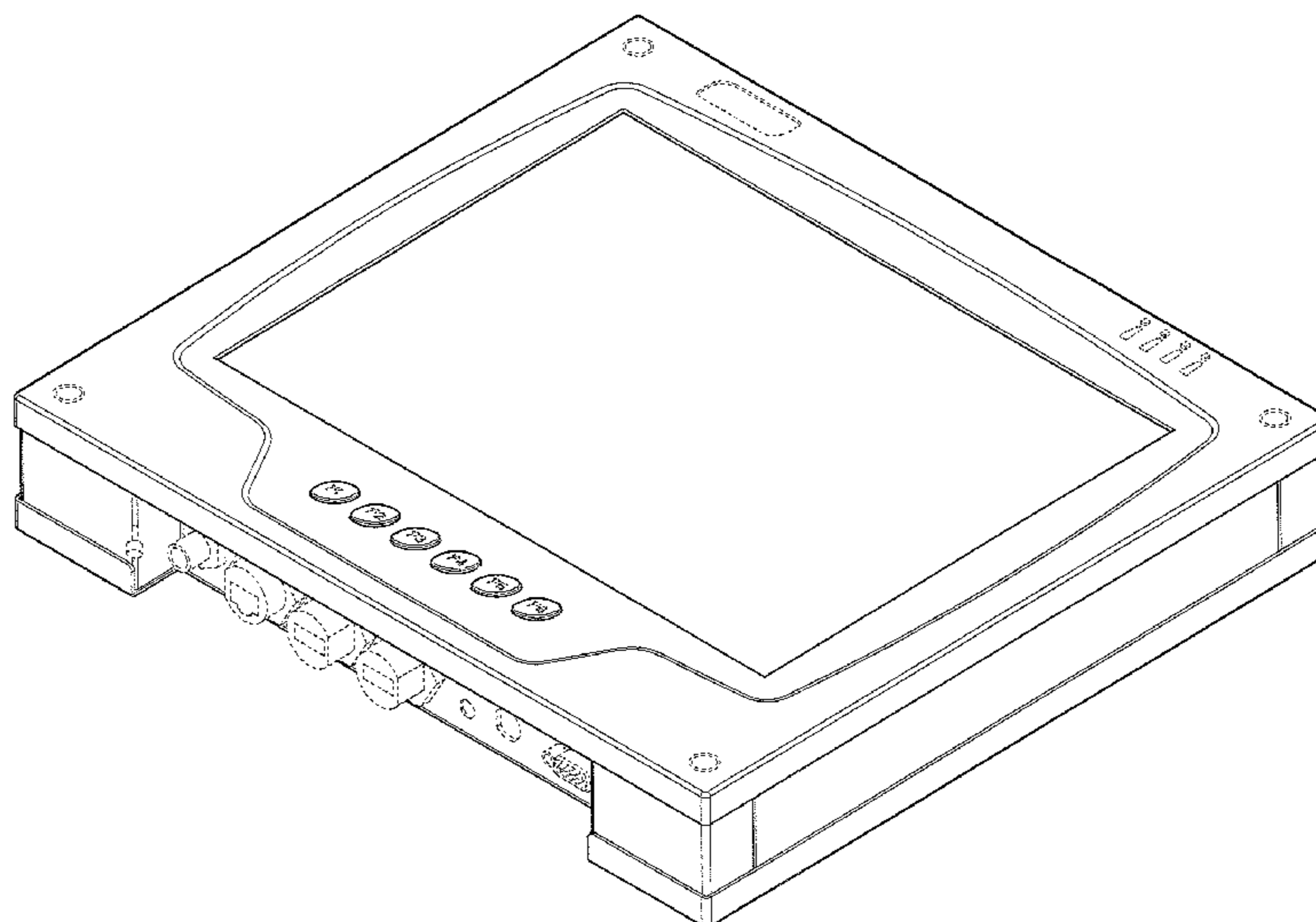
FIG. 6 is a right plan view of the tablet computer depicted in FIG. 1;

FIG. 7 is a left plan view of the tablet computer depicted in FIG. 1; and,

FIG. 8 is a top plan view of the tablet computer depicted in FIG. 1.

The features shown in broken lines do not form any part of the claimed design.

**1 Claim, 8 Drawing Sheets**



(56)

## References Cited

U.S. PATENT DOCUMENTS		
D325,574 S	4/1992	Carver
5,107,100 A	4/1992	Shepard et al.
5,130,520 A	7/1992	Shepard et al.
5,142,684 A	8/1992	Perry et al.
5,149,950 A	9/1992	Swartz et al.
D330,707 S	11/1992	Whitaker
D330,708 S	11/1992	LaManna et al.
5,180,904 A	1/1993	Shepard et al.
5,200,597 A	4/1993	Eastman et al.
5,212,371 A	5/1993	Boles et al.
5,212,372 A	5/1993	Quick et al.
D336,464 S	6/1993	Clough et al.
D337,316 S	7/1993	Ruiten
5,247,657 A	9/1993	Myers
D340,038 S	10/1993	Venne et al.
D340,236 S	10/1993	Sandor
D340,237 S	10/1993	Swartz
D340,238 S	10/1993	Swartz
D340,239 S	10/1993	Swartz
D340,707 S	10/1993	Swartz
5,250,792 A	10/1993	Swartz
D341,584 S	11/1993	Shepard
5,262,628 A	11/1993	Shepard et al.
D342,244 S	12/1993	Swartz
D342,245 S	12/1993	Krichever et al.
D342,491 S	12/1993	Doran et al.
D343,170 S	1/1994	Gilpin et al.
5,281,800 A	1/1994	Pelton et al.
D344,494 S	2/1994	Cardenas
D344,501 S	2/1994	Gong et al.
D344,936 S	3/1994	Gilpin et al.
D346,162 S	4/1994	Bennett et al.
5,306,900 A	4/1994	Metlitsky et al.
5,319,184 A	6/1994	Gilpin et al.
5,321,246 A	6/1994	Shepard et al.
D349,109 S	7/1994	Karlin
D350,735 S	9/1994	Karlin et al.
D352,936 S	11/1994	Karlin
D352,937 S	11/1994	Karlin
D352,938 S	11/1994	Karlin
D352,939 S	11/1994	Karlin
5,369,262 A	11/1994	Dvorkis et al.
5,373,458 A	12/1994	Bishay et al.
5,379,057 A	1/1995	Clough et al.
D355,904 S	2/1995	Swartz et al.
5,396,055 A	3/1995	Shepard et al.
D358,588 S	5/1995	Lamanna et al.
D359,483 S	6/1995	Saunders et al.
D361,565 S	8/1995	LaManna et al.
5,440,111 A	8/1995	Eastman et al.
D362,435 S	9/1995	Charych et al.
5,457,309 A	10/1995	Pelton
5,468,949 A	11/1995	Swartz et al.
5,471,042 A	11/1995	Kirkeby et al.
5,477,044 A	12/1995	Aragon
D366,220 S	1/1996	Sakamoto
5,502,297 A	3/1996	Sherman
5,504,367 A	4/1996	Arackellian et al.
5,508,504 A	4/1996	Dvorkis et al.
5,508,505 A	4/1996	Walts et al.
D370,478 S	6/1996	Swift et al.
D372,234 S	7/1996	LaManna et al.
5,532,469 A	7/1996	Shepard et al.
5,541,397 A	7/1996	Walts
5,550,362 A	8/1996	Sherman
D374,869 S	10/1996	Karlin
5,565,671 A	10/1996	Kirkeby et al.
D375,493 S	11/1996	Karlin
5,572,007 A	11/1996	Aragon et al.
5,576,981 A	11/1996	Parker et al.
D376,357 S	12/1996	Ferland et al.
5,581,243 A	12/1996	Ouellette et al.
D377,345 S	1/1997	Karlin
D377,346 S	1/1997	Karlin
D377,347 S	1/1997	Karlin
D377,348 S	1/1997	Karlin
5,598,007 A	1/1997	Bunce et al.
D377,790 S	2/1997	Ober et al.
D378,519 S	3/1997	Ober et al.
5,635,700 A	6/1997	Fazekas
5,637,851 A	6/1997	Swartz et al.
5,637,856 A	6/1997	Bridgelall et al.
5,659,761 A	8/1997	DeArras et al.
5,661,291 A	8/1997	Ahearn et al.
D383,124 S	9/1997	Lanzaro et al.
5,665,954 A	9/1997	Bard et al.
5,675,362 A	10/1997	Clough et al.
D386,489 S	11/1997	Goldman et al.
D387,752 S	12/1997	Stewart et al.
D387,753 S	12/1997	Stewart et al.
D387,754 S	12/1997	Stewart et al.
D388,076 S	12/1997	Swift et al.
5,710,417 A	1/1998	Joseph et al.
D391,234 S	2/1998	Chacon et al.
D391,555 S	3/1998	Schlieffers et al.
D392,282 S	3/1998	Ahearn et al.
5,729,003 A	3/1998	Briggs, III
5,742,475 A	4/1998	Riddiford
D394,848 S	6/1998	Riddiford
D394,855 S	6/1998	Ahearn et al.
5,763,865 A	6/1998	Swift et al.
D396,033 S	7/1998	Ahearn et al.
5,777,281 A	7/1998	Riddiford
5,786,581 A	7/1998	Eastman et al.
5,786,585 A	7/1998	Eastman et al.
D397,085 S	8/1998	Blase
5,793,967 A	8/1998	Simciak et al.
D398,002 S	9/1998	Chacon et al.
D398,903 S	9/1998	Chacon et al.
5,801,371 A	9/1998	Kahn et al.
5,801,918 A	9/1998	Ahearn et al.
5,805,474 A	9/1998	Danielson et al.
5,808,287 A	9/1998	Shepard et al.
5,814,827 A	9/1998	Katz
5,818,027 A	10/1998	Paratore
5,828,052 A	10/1998	Reynolds et al.
D400,872 S	11/1998	Ahearn et al.
D404,761 S	1/1999	Tarpenning et al.
D405,075 S	2/1999	Ahearn et al.
D405,076 S	2/1999	Ahearn et al.
D405,077 S	2/1999	Urushihata et al.
D405,256 S	2/1999	Chacon et al.
5,869,840 A	2/1999	Helton
D406,581 S	3/1999	Bhatia et al.
D407,388 S	3/1999	Liao
5,886,338 A	3/1999	Arackellian et al.
5,907,145 A	5/1999	Krichever et al.
5,912,450 A	6/1999	Katz et al.
5,912,452 A	6/1999	Wiklof et al.
5,920,060 A	7/1999	Marom
D414,171 S	9/1999	Swift et al.
D414,172 S	9/1999	Hetfield et al.
D414,470 S	9/1999	Chacon et al.
D414,760 S	10/1999	Hetfield et al.
5,969,328 A	10/1999	Kunert
5,973,645 A	10/1999	Zigler et al.
5,979,764 A	11/1999	Swyst et al.
5,979,770 A	11/1999	Schlieffers et al.
5,992,750 A	11/1999	Chadima, Jr. et al.
D417,445 S	12/1999	Chacon et al.
6,003,775 A	12/1999	Ackley
D418,500 S	1/2000	Giordano et al.
D419,548 S	1/2000	Jones et al.
6,023,147 A	2/2000	Cargin, Jr. et al.
6,028,765 A	2/2000	Swindler et al.
6,031,524 A	2/2000	Kunert
6,036,093 A	3/2000	Schultz
6,036,094 A	3/2000	Goldman et al.
6,042,414 A	3/2000	Kunert
6,049,813 A	4/2000	Danielson et al.
6,052,279 A	4/2000	Friend et al.
D424,035 S	5/2000	Steiner et al.
D425,558 S	5/2000	Tarpenning et al.
6,056,199 A	5/2000	Wiklof et al.

# US D690,296 S

D430,158 S	8/2000	Bhatia et al.		D481,057 S *	10/2003	Brady .....	D16/237
D430,159 S	8/2000	Bhatia et al.		6,641,046 B2	11/2003	Durbin	
6,102,266 A	8/2000	Chacon et al.		6,648,228 B2	11/2003	Dvorkis	
6,123,265 A	9/2000	Schlieffers et al.		6,651,888 B1	11/2003	Gurevich et al.	
D431,562 S	10/2000	Bhatia et al.		D484,131 S	12/2003	Olson et al.	
6,149,062 A	11/2000	Danielson et al.		D484,133 S	12/2003	Liu et al.	
6,149,063 A	11/2000	Reynolds et al.		6,659,350 B2	12/2003	Schwartz et al.	
6,158,661 A	12/2000	Chadima, Jr. et al.		D484,878 S	1/2004	Wightman et al.	
6,158,662 A	12/2000	Kahn et al.		6,698,656 B2	3/2004	Parker et al.	
6,163,359 A	12/2000	Smith et al.		6,719,201 B2	4/2004	Tamburrini et al.	
6,164,545 A	12/2000	Danielson		6,722,566 B1	4/2004	Drzymak et al.	
D436,104 S	1/2001	Bhatia et al.		6,724,618 B1	4/2004	Jenkins et al.	
6,177,926 B1	1/2001	Kunert		D490,421 S	5/2004	Duren et al.	
6,186,400 B1	2/2001	Dvorkis et al.		6,745,943 B2	6/2004	Schlieffers et al.	
6,195,053 B1	2/2001	Kodukula et al.		6,752,319 B2	6/2004	Ehrhart et al.	
D439,898 S	4/2001	Ober et al.		D492,681 S	7/2004	Ahearn et al.	
6,216,951 B1	4/2001	Swift et al.		D493,802 S	8/2004	Berentzen et al.	
6,234,395 B1	5/2001	Chadima, Jr. et al.		D494,179 S	8/2004	Berentzen et al.	
6,243,258 B1	6/2001	Paratore		D494,584 S	8/2004	Schlieffers et al.	
6,243,259 B1	6/2001	Yamakawa et al.		D494,593 S	8/2004	Wulff et al.	
6,244,512 B1	6/2001	Koenck et al.		6,783,072 B2	8/2004	Acosta et al.	
6,244,513 B1	6/2001	Schlieffers et al.		D496,366 S	9/2004	Croley et al.	
6,259,044 B1	7/2001	Paratore et al.		D497,165 S	10/2004	Borsboom	
6,266,685 B1	7/2001	Danielson et al.		6,812,862 B1	11/2004	Dempsey	
D446,524 S	8/2001	Bontly et al.		6,814,290 B2	11/2004	Longacre	
6,308,892 B1	10/2001	Swartz et al.		6,824,060 B2	11/2004	Barkan	
6,321,990 B1	11/2001	Giordano et al.		6,832,725 B2	12/2004	Gardiner et al.	
6,330,975 B1	12/2001	Bunte et al.		6,834,807 B2	12/2004	Ehrhart et al.	
D453,757 S	2/2002	Maio et al.		D501,007 S *	1/2005	Heng .....	D14/341
D454,563 S	3/2002	Brown et al.		6,856,506 B2	2/2005	Doherty et al.	
RE37,635 E	4/2002	Clark et al.		6,870,730 B2	3/2005	Riddiford	
D455,748 S *	4/2002	Yamada .....	D14/374	D504,427 S *	4/2005	Hsu Li .....	D14/371
6,373,579 B1	4/2002	Ober et al.		D504,472 S	4/2005	Liu et al.	
6,375,075 B1	4/2002	Ackley et al.		6,882,524 B2	4/2005	Ulla et al.	
6,375,076 B1	4/2002	Massieu et al.		6,883,713 B2	4/2005	Schlieffers et al.	
D456,806 S	5/2002	Ahearn et al.		D504,686 S *	5/2005	Hsu Li .....	D14/371
6,388,659 B2	5/2002	Myerson et al.		D505,423 S	5/2005	Ahearn et al.	
6,394,355 B1	5/2002	Schlieffers et al.		6,899,273 B2	5/2005	Hussey et al.	
D458,264 S	6/2002	MacGregor		D506,195 S	6/2005	Leveridge et al.	
D458,265 S	6/2002	Fitch		6,909,424 B2	6/2005	Liebenow et al.	
D458,910 S	6/2002	Kita		6,922,557 B2	7/2005	Fantaske	
6,405,929 B1	6/2002	Ehrhart et al.		D509,788 S	9/2005	Schlieffers et al.	
6,409,341 B1	6/2002	Goldfain et al.		D509,829 S	9/2005	MacGregor	
6,410,931 B1	6/2002	Dvorkis et al.		6,947,612 B2	9/2005	Helms et al.	
D459,728 S	7/2002	Roberts et al.		D523,468 S	6/2006	Umeda et al.	
D460,075 S	7/2002	Destefano et al.		D528,146 S	9/2006	Fitch	
6,412,697 B1	7/2002	Bridgelall et al.		D533,552 S	12/2006	Kuroiwa et al.	
6,412,698 B2	7/2002	Bontly		D537,441 S	2/2007	Bruker	
6,419,157 B1	7/2002	Ehrhart et al.		D540,705 S	4/2007	Shubin	
D461,189 S	8/2002	Bontly et al.		7,236,356 B2	6/2007	Ulla et al.	
D462,074 S *	8/2002	Kim .....	D14/375	D547,282 S *	7/2007	Hsiung .....	D14/129
6,431,451 B1	8/2002	Koenck et al.		D547,283 S *	7/2007	Hsiung .....	D14/129
6,435,411 B1	8/2002	Massieu et al.		D548,207 S *	8/2007	Hsiung .....	D14/129
D462,357 S	9/2002	Jenkins		D548,245 S	8/2007	Liang et al.	
D462,688 S	9/2002	Schieffers et al.		D551,189 S	9/2007	Chu	
D462,964 S	9/2002	Croley et al.		D551,196 S	9/2007	Hsiung	
D463,421 S	9/2002	Lanzaro et al.		D559,859 S	1/2008	Kim	
D463,425 S	9/2002	Jenkins		D560,369 S	1/2008	Chiang	
6,473,519 B1	10/2002	Pidhirny et al.		D561,713 S	2/2008	Chu	
D466,511 S	12/2002	Croley et al.		D572,675 S	7/2008	Qiu et al.	
D467,918 S	12/2002	Fitch et al.		D593,553 S *	6/2009	Okamoto et al. ....	D14/341
6,491,223 B1	12/2002	Longacre, Jr. et al.		D595,290 S	6/2009	Takemasa	
6,497,368 B1	12/2002	Friend et al.		D595,291 S	6/2009	Takemasa	
D469,433 S	1/2003	Liao		D597,541 S	8/2009	Kazma et al.	
D469,434 S	1/2003	Lin		D598,015 S *	8/2009	Busri .....	D14/341
6,502,754 B1	1/2003	Bhatia et al.		D601,139 S	9/2009	Huang et al.	
D470,145 S	2/2003	Schlieffers et al.		D601,557 S *	10/2009	Wesolek .....	D14/341
D471,195 S *	3/2003	Lin .....	D14/375	D601,560 S	10/2009	Matsumoto et al.	
D473,872 S	4/2003	Ausems et al.		D602,933 S	10/2009	Huang et al.	
6,543,695 B1	4/2003	Hamilton et al.		D608,358 S	1/2010	Ong	
6,550,679 B2	4/2003	Hennick et al.		D624,073 S *	9/2010	Peng et al. ....	D14/341
6,561,428 B2	5/2003	Meier et al.		D645,036 S *	9/2011	Jones et al. ....	D14/341
6,568,596 B1	5/2003	Shaw		D654,499 S *	2/2012	Wesolek .....	D14/346
D476,007 S	6/2003	Crawford et al.		2004/0140966 A1	7/2004	Marggraff et al.	
D476,330 S	6/2003	Ahearn et al.					
6,578,767 B1	6/2003	Barkan et al.					
6,592,040 B2	7/2003	Barkan et al.					
D479,237 S	9/2003	Juan					
D480,730 S	10/2003	Doherty et al.					

# US D690,296 S

Page 4

---

2005/0200608 A1 9/2005 Ulla et al.  
2005/0213297 A1 9/2005 Ulla et al.  
2005/0213298 A1 9/2005 Doherty et al.  
2006/0017706 A1 1/2006 Cutherell et al.

2006/0044288 A1 3/2006 Nakamura et al.  
2006/0221565 A1 10/2006 Doherty et al.

\* cited by examiner

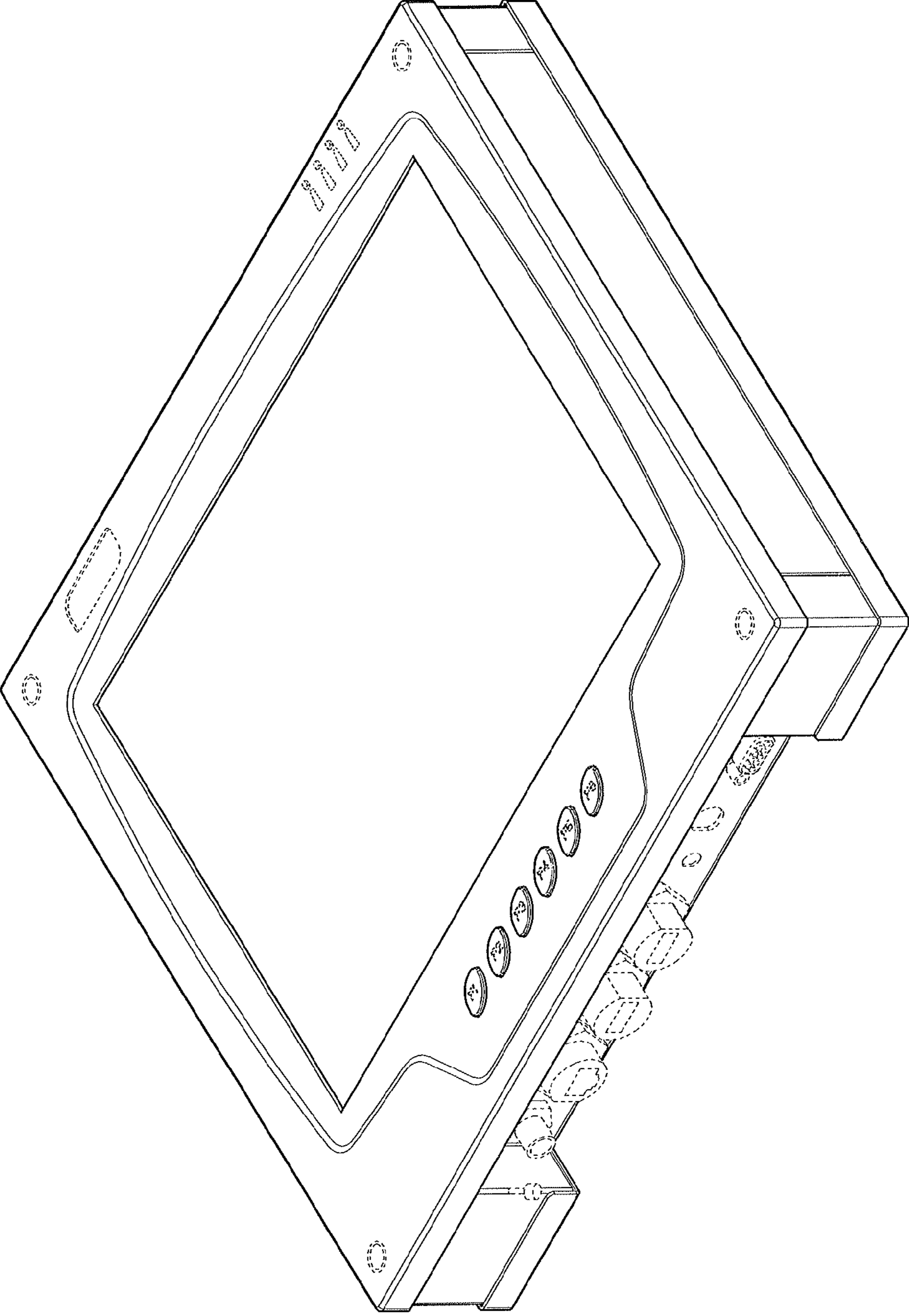


FIG. 1

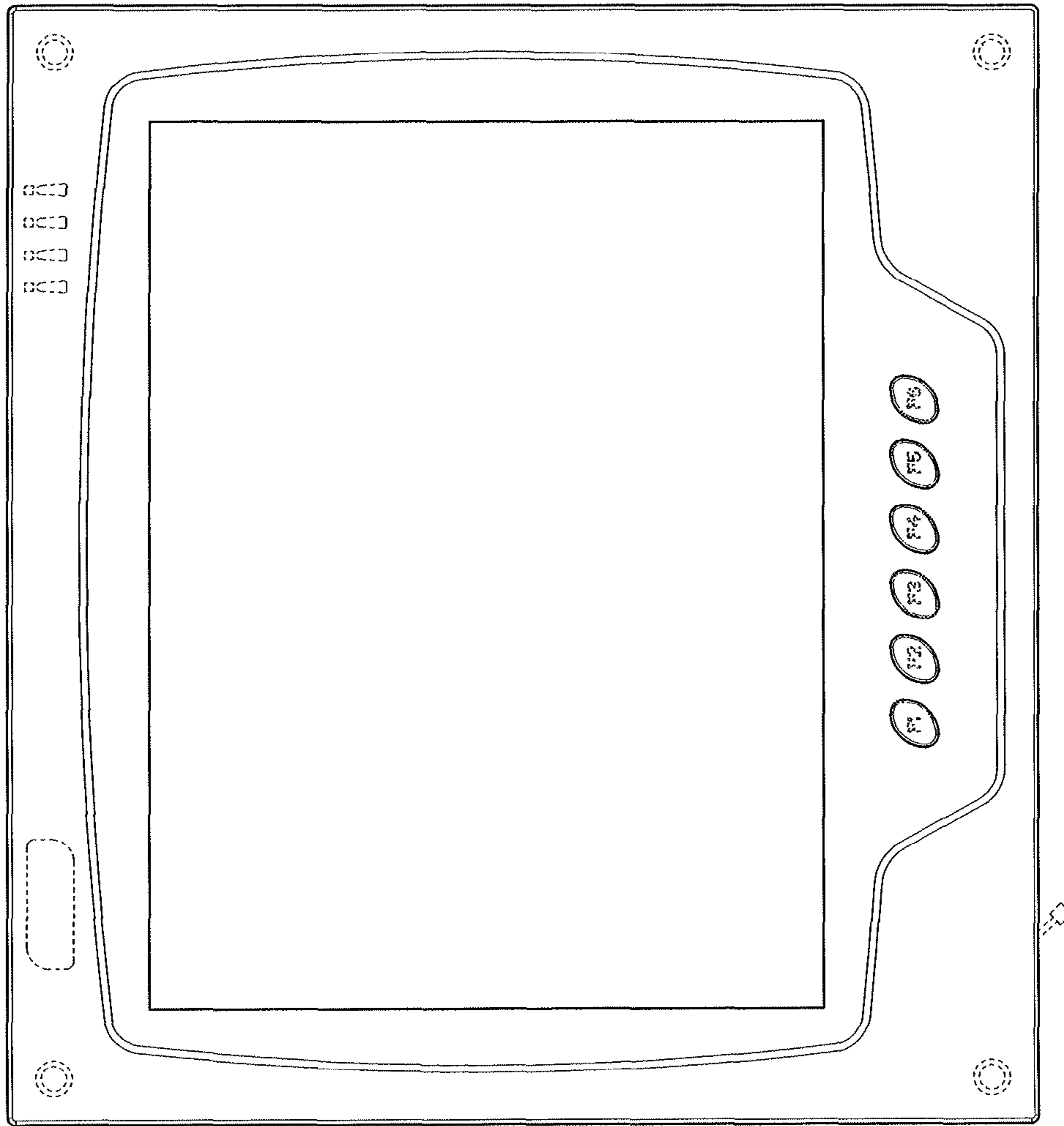


FIG. 2

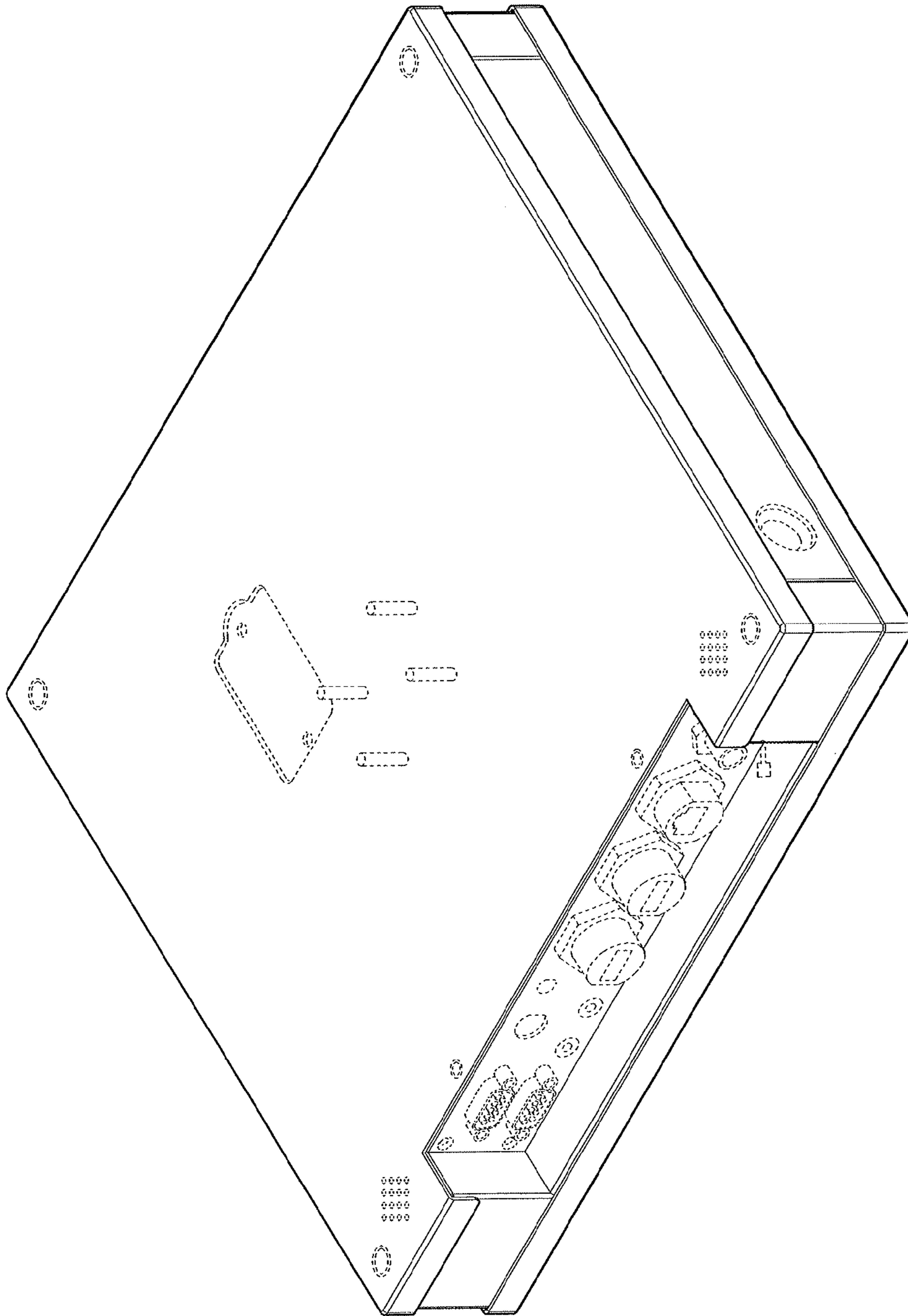


FIG. 3

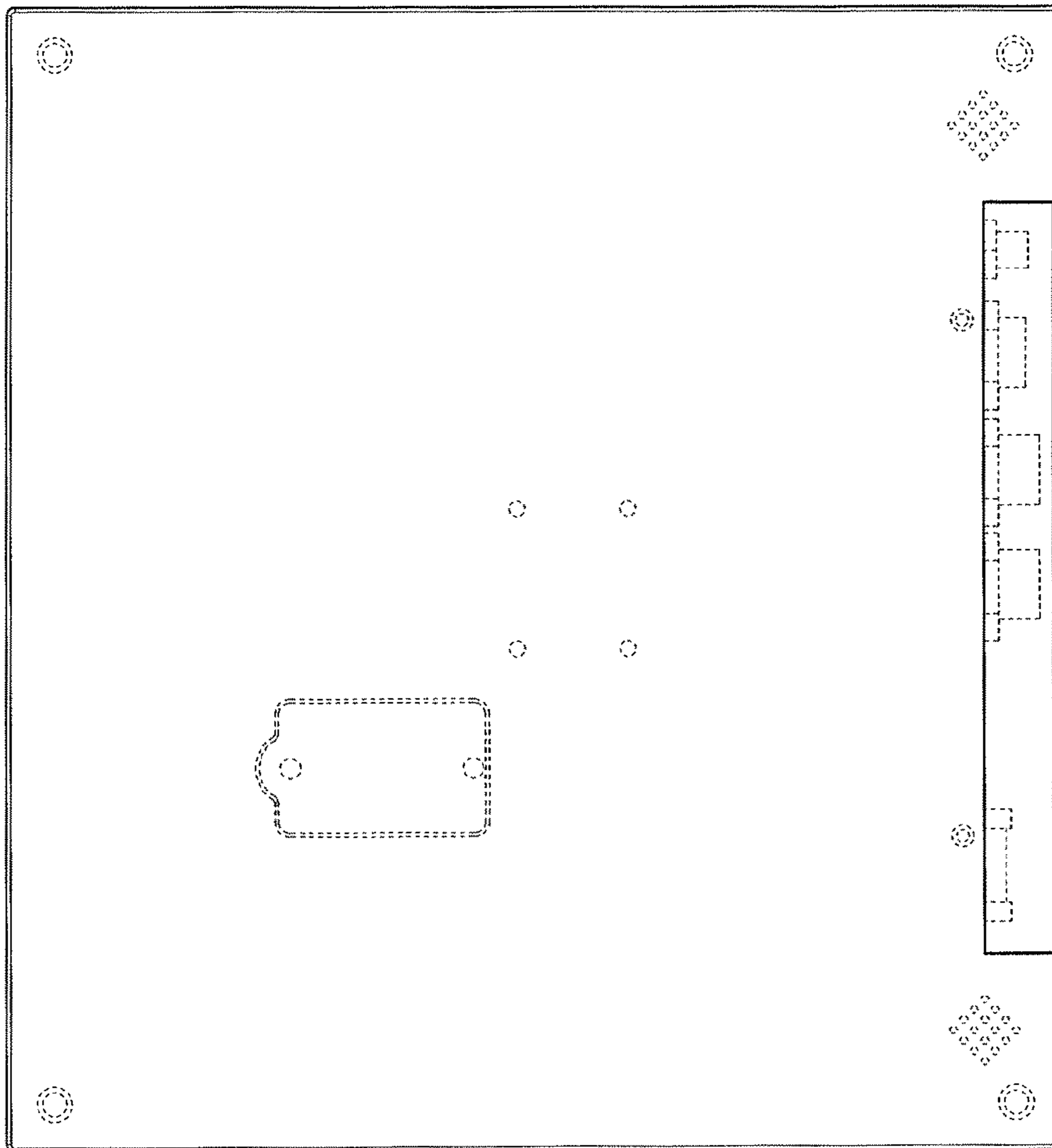


FIG. 4



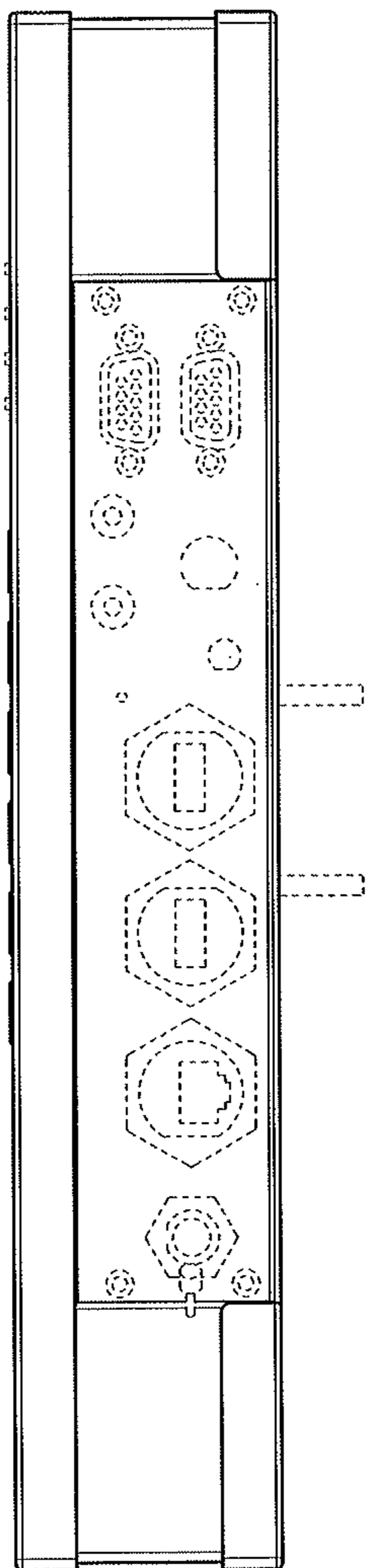


FIG. 5

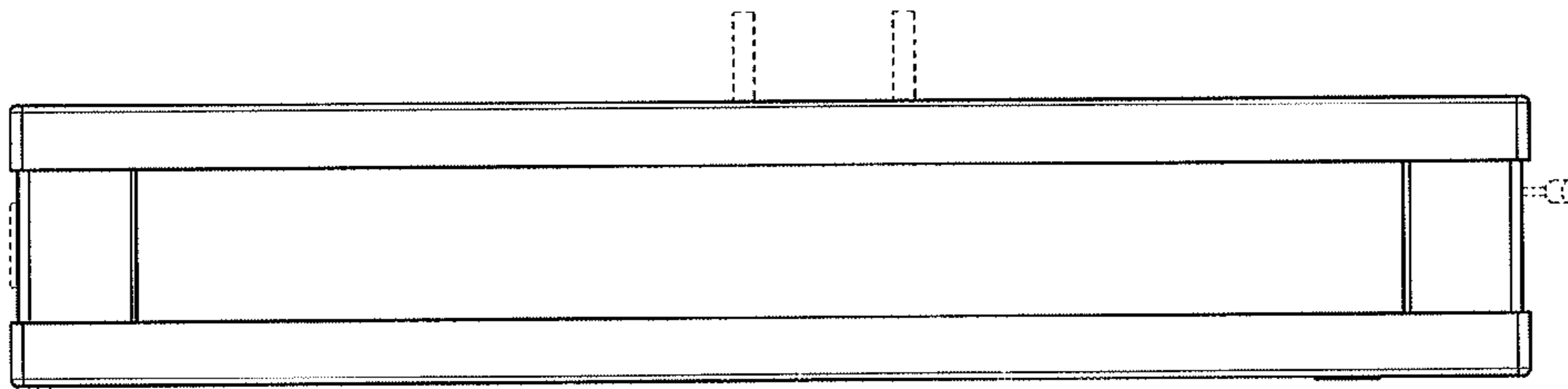


FIG. 6

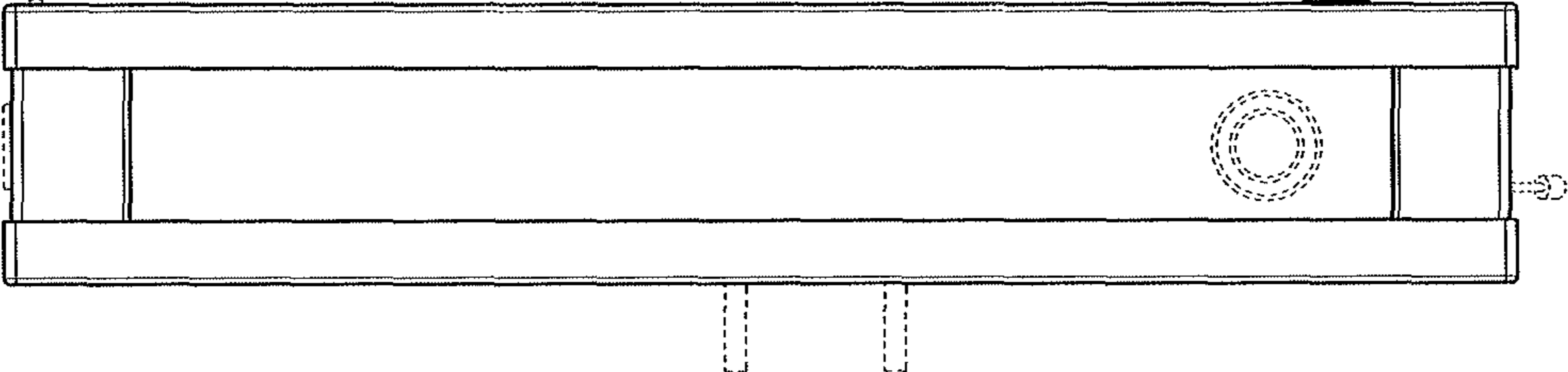


FIG. 7

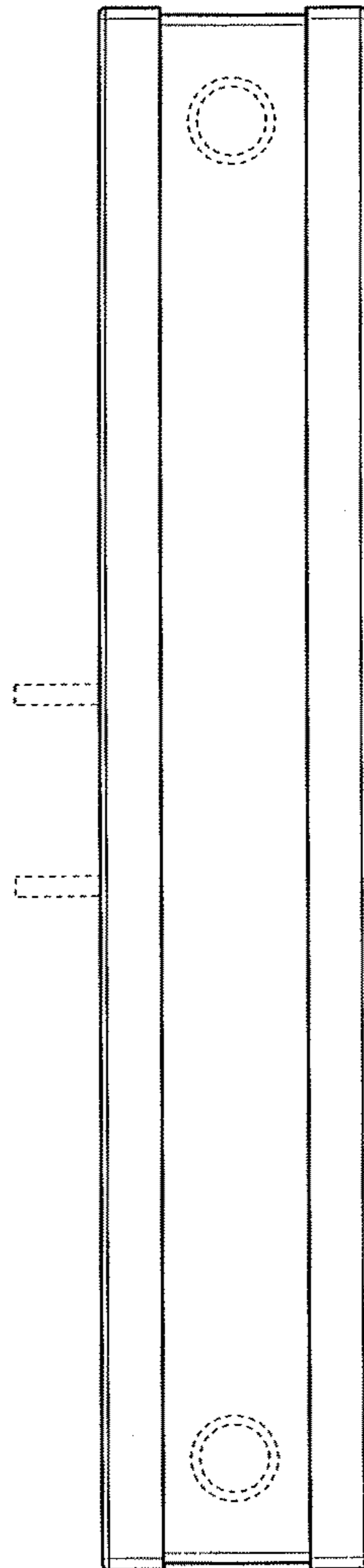


FIG. 8