



US00D690295S

(12) **United States Design Patent**  
**Fletcher et al.**

(10) **Patent No.:** **US D690,295 S**

(45) **Date of Patent:** **\*\* Sep. 24, 2013**

(54) **INTERACTIVE INPUT SYSTEM COMPONENT**

(71) Applicant: **SMART Technologies ULC**, Calgary (CA)

(72) Inventors: **Mark Andrew Fletcher**, Nepean (CA);  
**Alan Peter Boykiw**, Calgary (CA);  
**Cheng Guo**, Calgary (CA); **Paul Anthony Auger**, Osgoode (CA)

(73) Assignee: **SMART Technologies ULC (CA)**

(\*\*) Term: **14 Years**

(21) Appl. No.: **29/440,302**

(22) Filed: **Dec. 20, 2012**

**Related U.S. Application Data**

(60) Continuation of application No. 29/408,920, filed on Dec. 19, 2011, now Pat. No. Des. 675,621, which is a division of application No. 29/363,312, filed on Jun. 8, 2010, now Pat. No. Des. 657,787.

(51) **LOC (9) Cl.** ..... **14-02**

(52) **U.S. Cl.**  
USPC ..... **D14/336; D19/52**

(58) **Field of Classification Search**  
USPC ..... D14/371–376, 125–129, 336, 337, D14/300, 356; D19/36, 51, 52, 59–62; D20/10, D20/40; 40/594; 250/221; 178/18.01, 18.04, 178/18.07, 18.09, 18.11, 19.01; 345/104, 345/156, 163, 173, 175, 179; 341/12; 348/180, 348/184, 325, 739; 349/1, 2; 434/408, 419  
See application file for complete search history.

(56) **References Cited**

U.S. PATENT DOCUMENTS

5,163,845	A *	11/1992	Blassingame	434/408
D339,379	S *	9/1993	Persing	D19/52
5,501,603	A *	3/1996	Mueller et al.	434/419
5,658,635	A *	8/1997	Davis et al.	428/81
D424,538	S *	5/2000	Hayashi et al.	D14/374
D438,258	S *	2/2001	Itoh et al.	D20/10
6,241,528	B1 *	6/2001	Myers	434/408
D463,493	S *	9/2002	Beno	D19/52
D575,248	S *	8/2008	Fujii et al.	D14/126
D594,062	S *	6/2009	Loerakker	D19/52
2005/0001824	A1 *	1/2005	Yoshimura	345/179
2006/0097989	A1 *	5/2006	Ho	345/173

\* cited by examiner

*Primary Examiner* — Freda S Nunn

(74) *Attorney, Agent, or Firm* — Katten Muchin Rosenman LLP

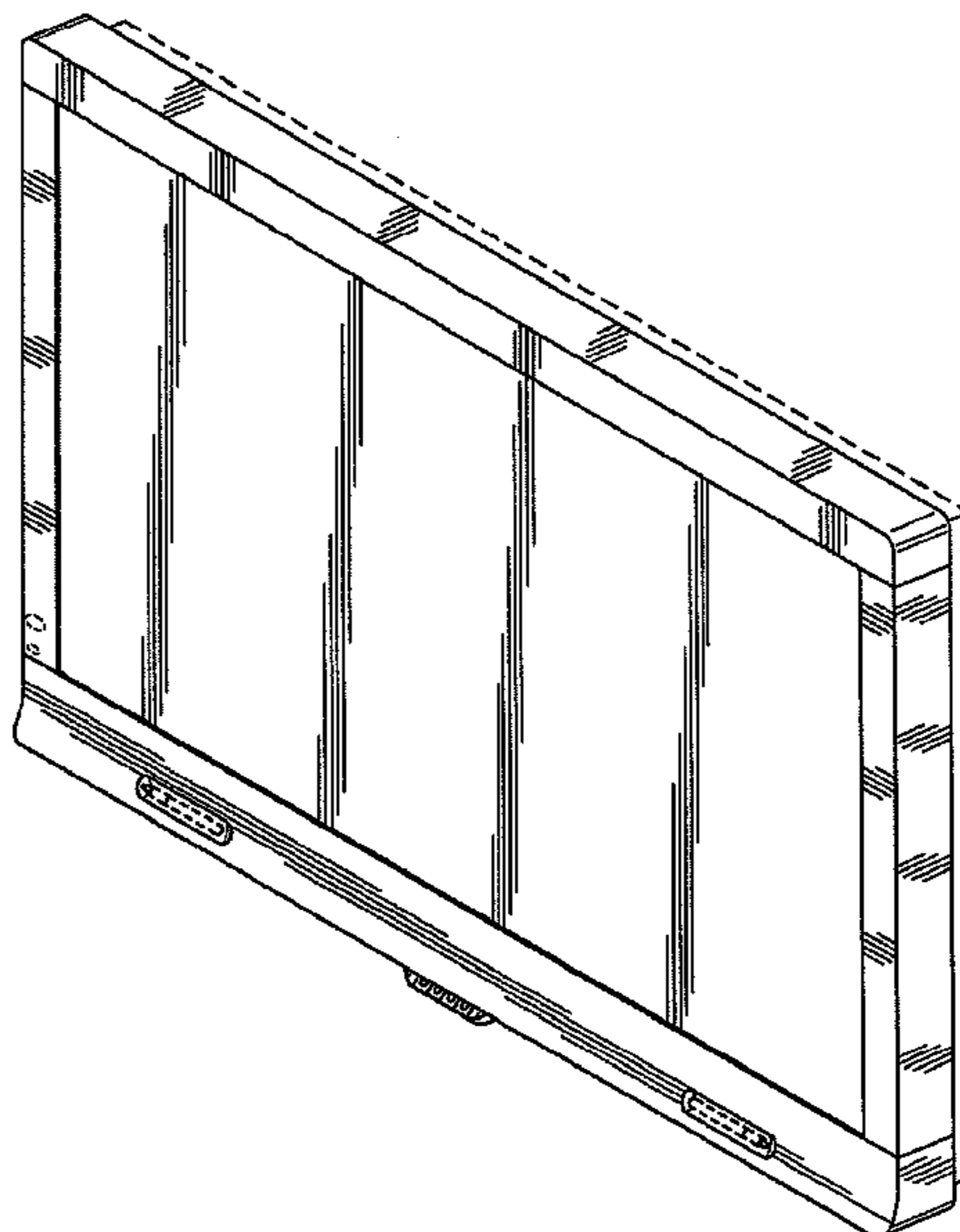
(57) **CLAIM**

The ornamental design for an interactive input system component, as shown and described.

**DESCRIPTION**

FIG. 1 is front perspective view of the interactive input system component in accordance with our design;  
FIG. 2 is a rear view of the interactive input system component of FIG. 1;  
FIG. 3 is a first side view of the interactive input system component of FIG. 1;  
FIG. 4 is a second side view of the interactive input system component of FIG. 1;  
FIG. 5 is a front view of the interactive input system component of FIG. 1;  
FIG. 6 is a top view of the interactive input system component of FIG. 1; and,  
FIG. 7 is a bottom view of the interactive input system component of FIG. 1.

**1 Claim, 5 Drawing Sheets**



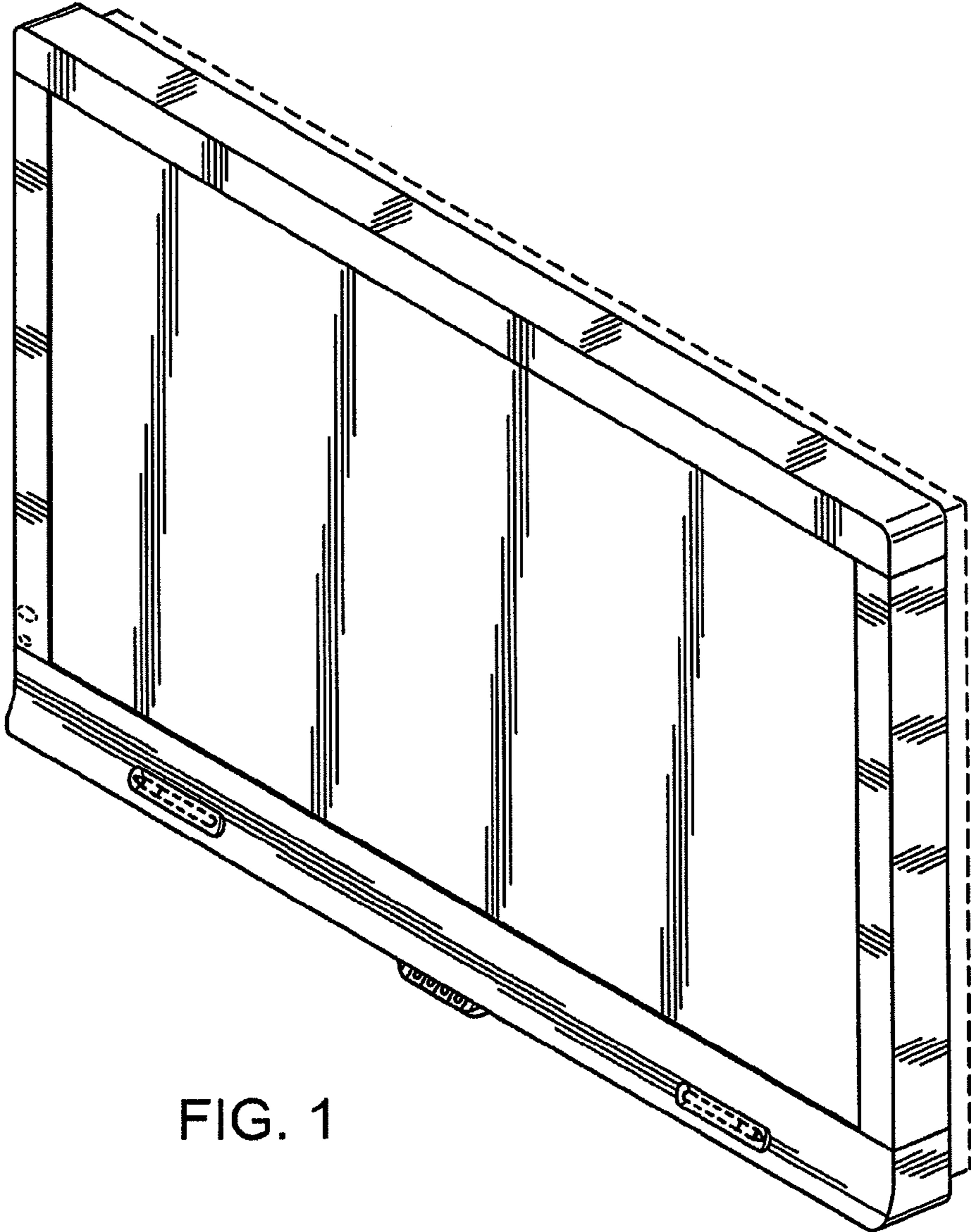


FIG. 1

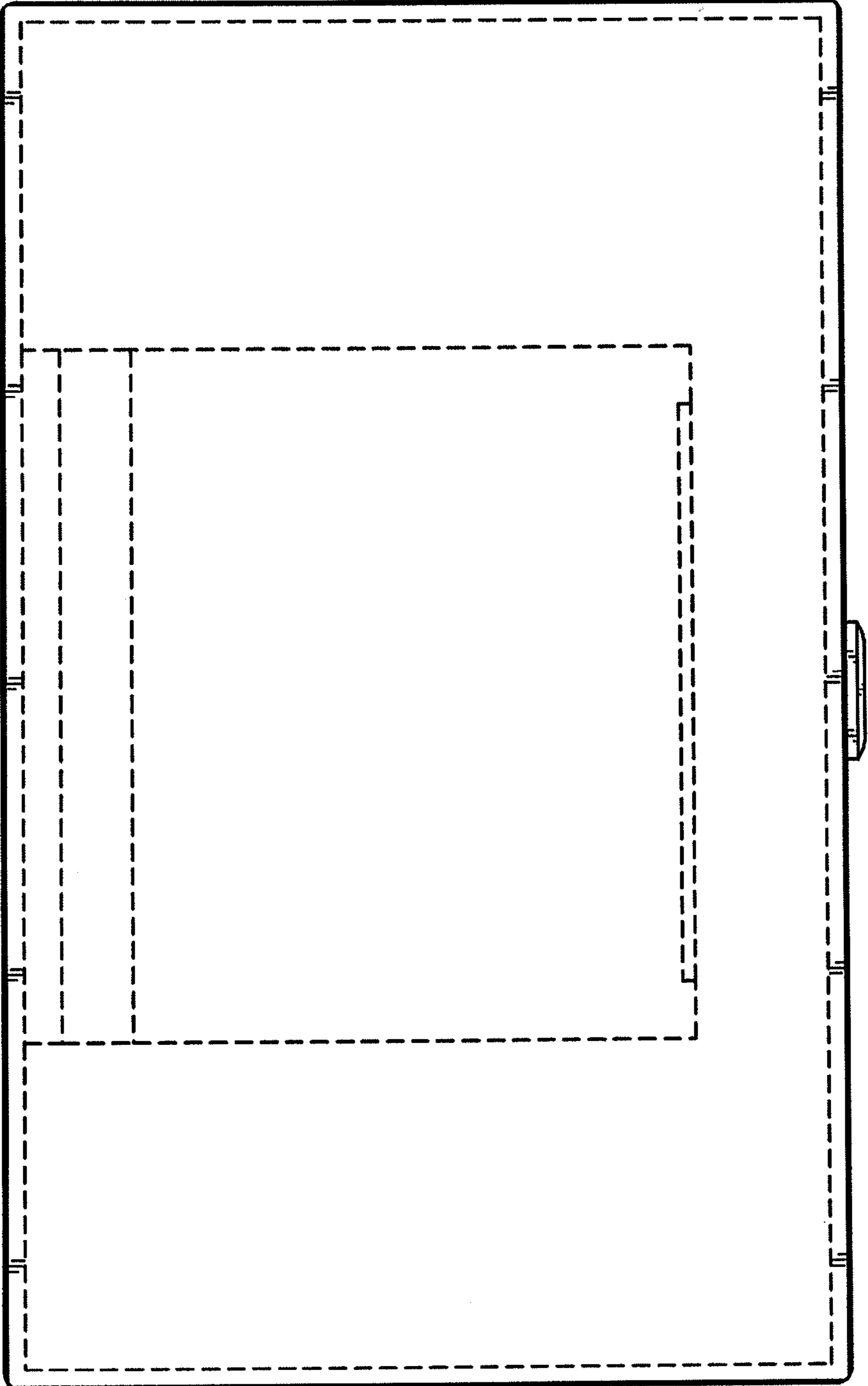


FIG. 2

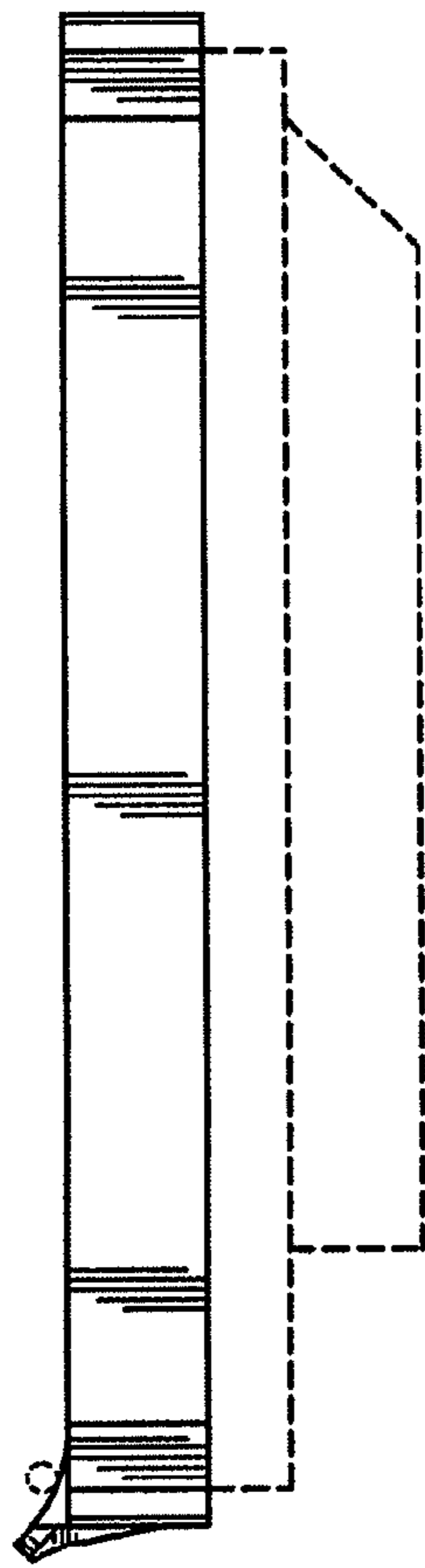


FIG. 3

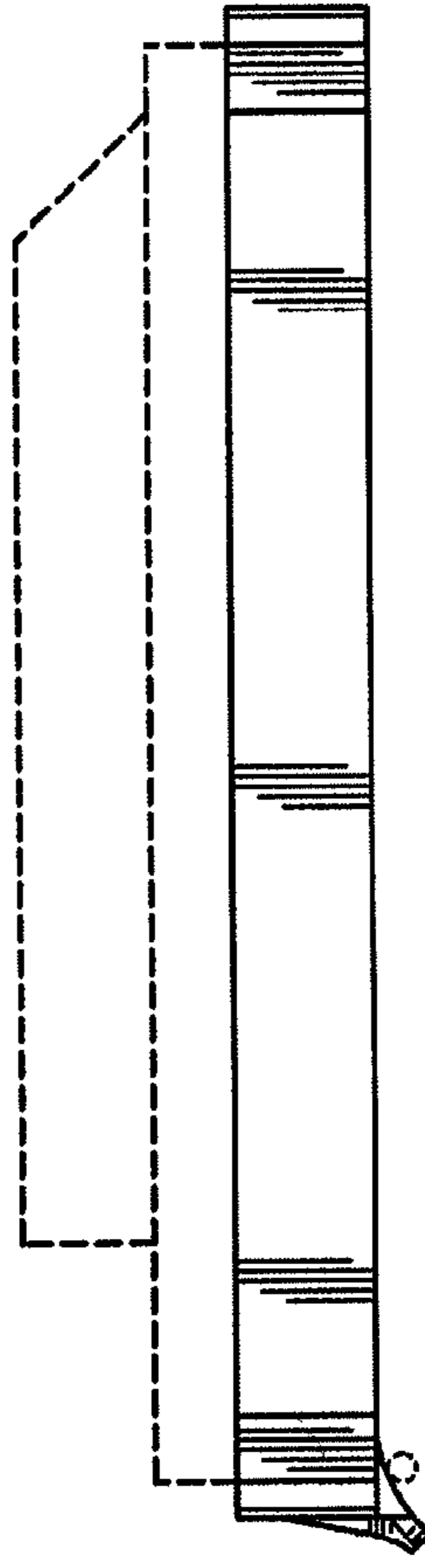


FIG. 4

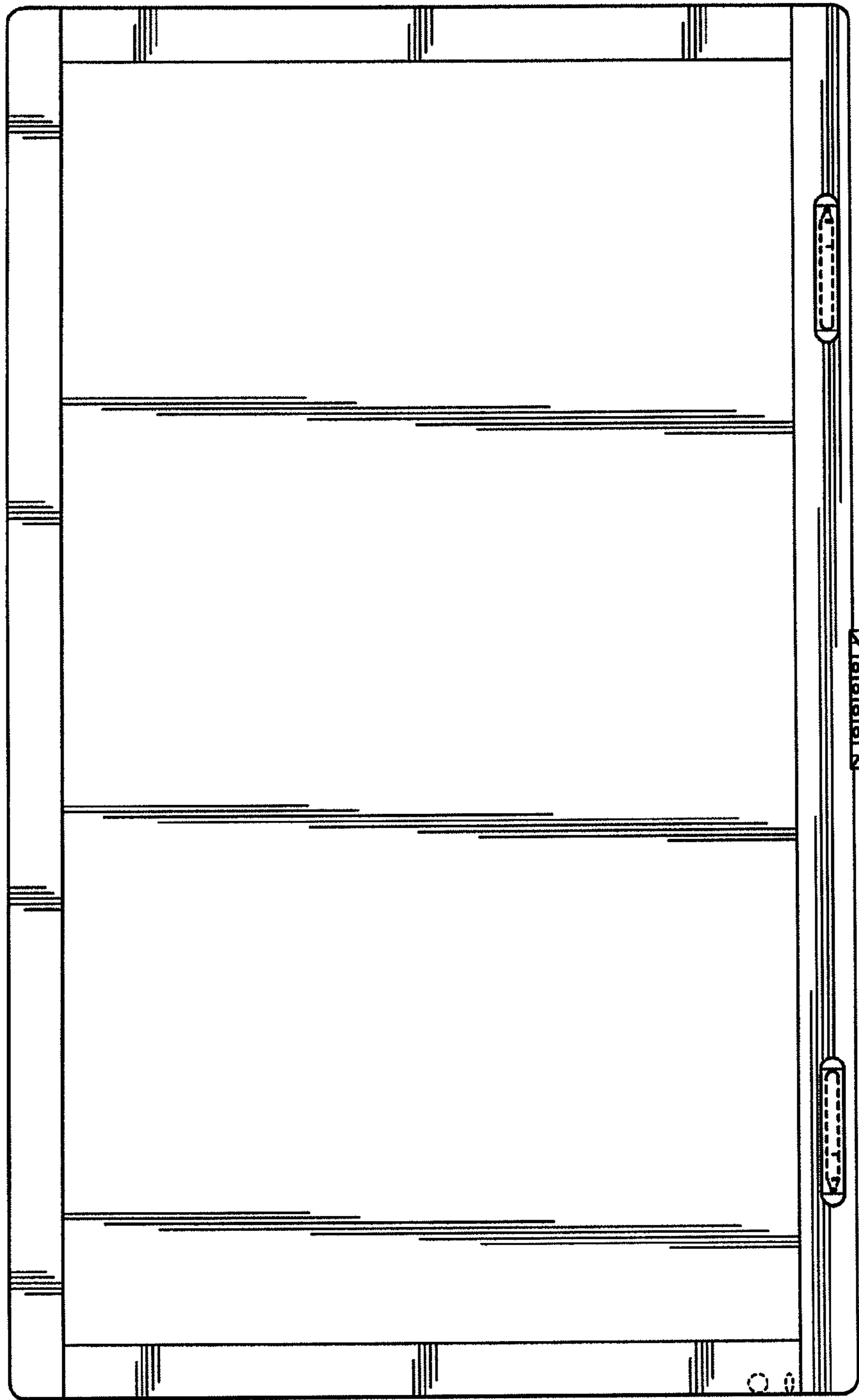


FIG. 5

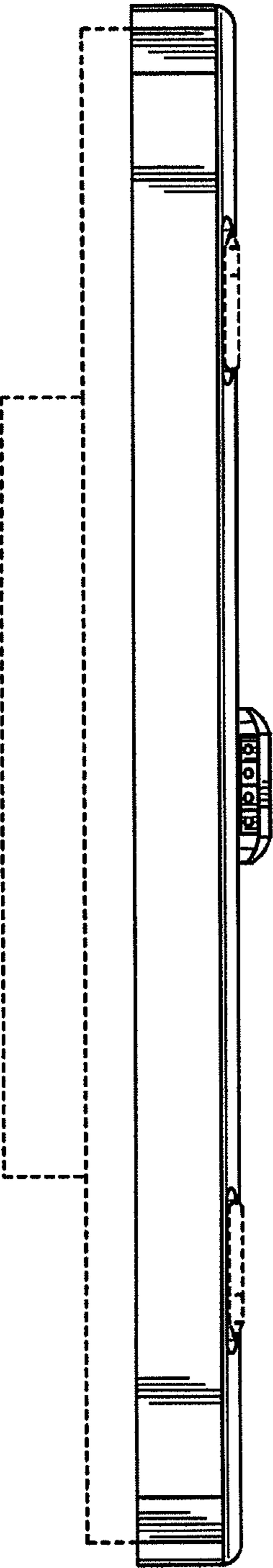


FIG. 6

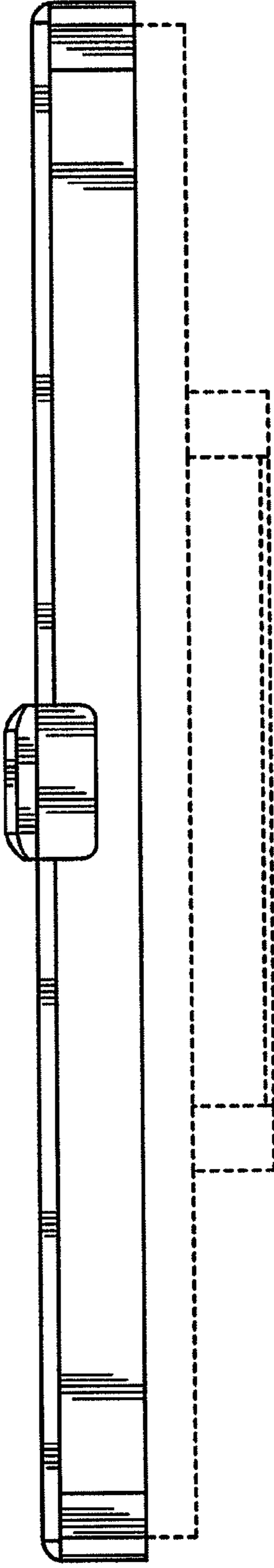


FIG. 7