

US00D690288S

(12) **United States Design Patent**  
**Son**

(10) **Patent No.:** **US D690,288 S**

(45) **Date of Patent:** **\*\* Sep. 24, 2013**

(54) **EARSET**

(75) **Inventor:** **Hyun-Keun Son, Seoul (KR)**

(73) **Assignee:** **Samsung Electronics Co., Ltd. (KR)**

(\*\*) **Term:** **14 Years**

(21) **Appl. No.:** **29/431,985**

(22) **Filed:** **Sep. 12, 2012**

(30) **Foreign Application Priority Data**

Jun. 22, 2012 (KR) ..... 30-2012-0030512

(51) **LOC (9) Cl.** ..... **14-01**

(52) **U.S. Cl.**  
USPC ..... **D14/223**

(58) **Field of Classification Search**  
USPC ..... D14/223; 181/129, 130, 135; 379/430,  
379/431; 381/380, 381, 384, 370; 455/575.2,  
455/569.1

See application file for complete search history.

(56) **References Cited**

**U.S. PATENT DOCUMENTS**

5,724,667	A *	3/1998	Furuno	.....	455/575.2
D470,833	S *	2/2003	Rath et al.	.....	D14/205
D494,568	S *	8/2004	Pan	.....	D14/223
D517,053	S *	3/2006	Ham	.....	D14/223
D518,477	S *	4/2006	Chen	.....	D14/223
7,086,512	B2 *	8/2006	Shack et al.	.....	191/12.4
D551,216	S *	9/2007	Wei	.....	D14/223
D553,613	S *	10/2007	Sade et al.	.....	D14/223
D561,743	S *	2/2008	Huang et al.	.....	D14/223
D566,107	S *	4/2008	Bowling	.....	D14/223

D578,111	S *	10/2008	Shinozuka et al.	.....	D14/223
D585,430	S *	1/2009	Kim et al.	.....	D14/223
D590,814	S *	4/2009	Bradford	.....	D14/223
D602,005	S *	10/2009	Lee et al.	.....	D14/223
D602,006	S *	10/2009	Kim et al.	.....	D14/223
7,664,540	B2 *	2/2010	Tsai	.....	455/575.2
D618,221	S *	6/2010	Fahrendorff et al.	.....	D14/223
D622,266	S *	8/2010	Tzeng et al.	.....	D14/223
D628,194	S *	11/2010	Koch	.....	D14/223
D630,620	S *	1/2011	Lee et al.	.....	D14/223
7,925,296	B2 *	4/2011	Lin	.....	455/552.1
D640,241	S *	6/2011	Wai	.....	D14/223
7,979,035	B2 *	7/2011	Griffin et al.	.....	455/90.3
D649,958	S *	12/2011	Park	.....	D14/223
D650,773	S *	12/2011	Kim et al.	.....	D14/223
8,095,188	B2 *	1/2012	Shi	.....	455/569.1
D656,128	S *	3/2012	Park	.....	D14/223
D665,384	S *	8/2012	Birger	.....	D14/223
D669,887	S *	10/2012	Maddern	.....	D14/223

\* cited by examiner

*Primary Examiner* — Paula Greene

(74) *Attorney, Agent, or Firm* — Cantor Colburn LLP

(57) **CLAIM**

The ornamental design for a earset, as shown and described.

**DESCRIPTION**

FIG. 1 is a perspective view of earset, showing our new design;  
FIG. 2 is a front elevational view thereof;  
FIG. 3 is a rear elevational view thereof;  
FIG. 4 is a left side elevational view thereof;  
FIG. 5 is a right side elevational view thereof;  
FIG. 6 is a top plan view thereof; and,  
FIG. 7 is a bottom plan view thereof.

**1 Claim, 7 Drawing Sheets**

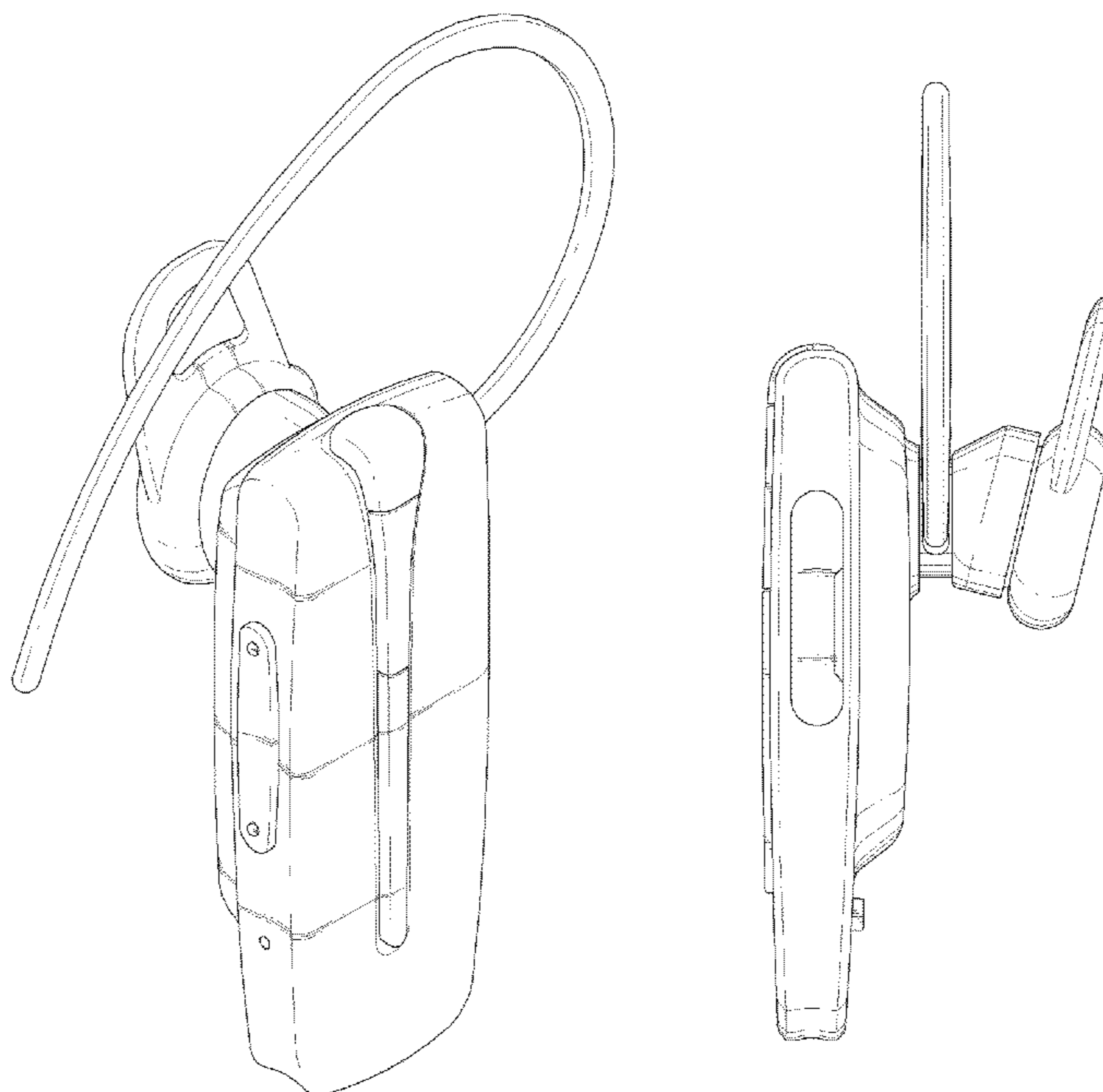


FIG. 1

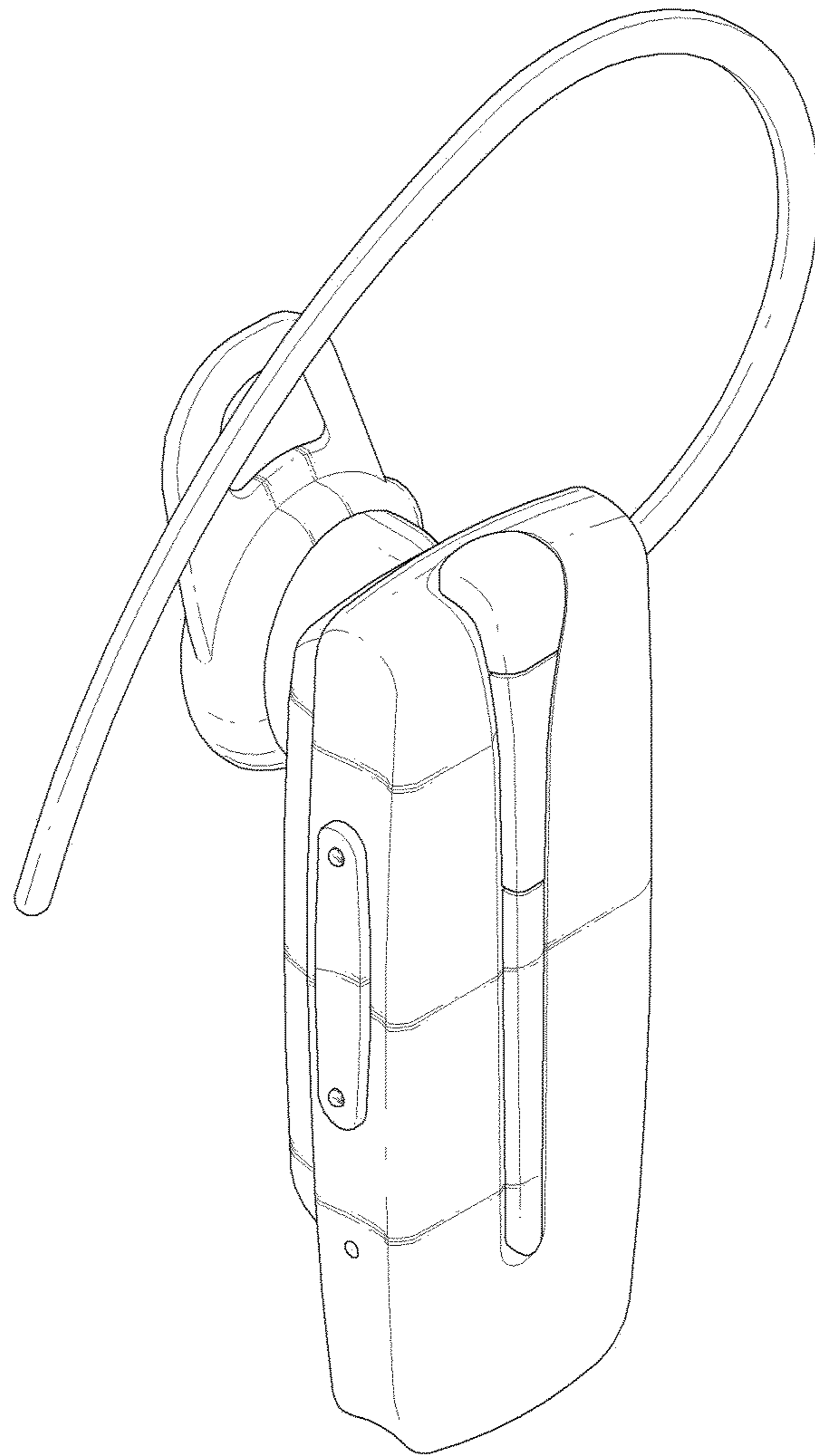


FIG. 2

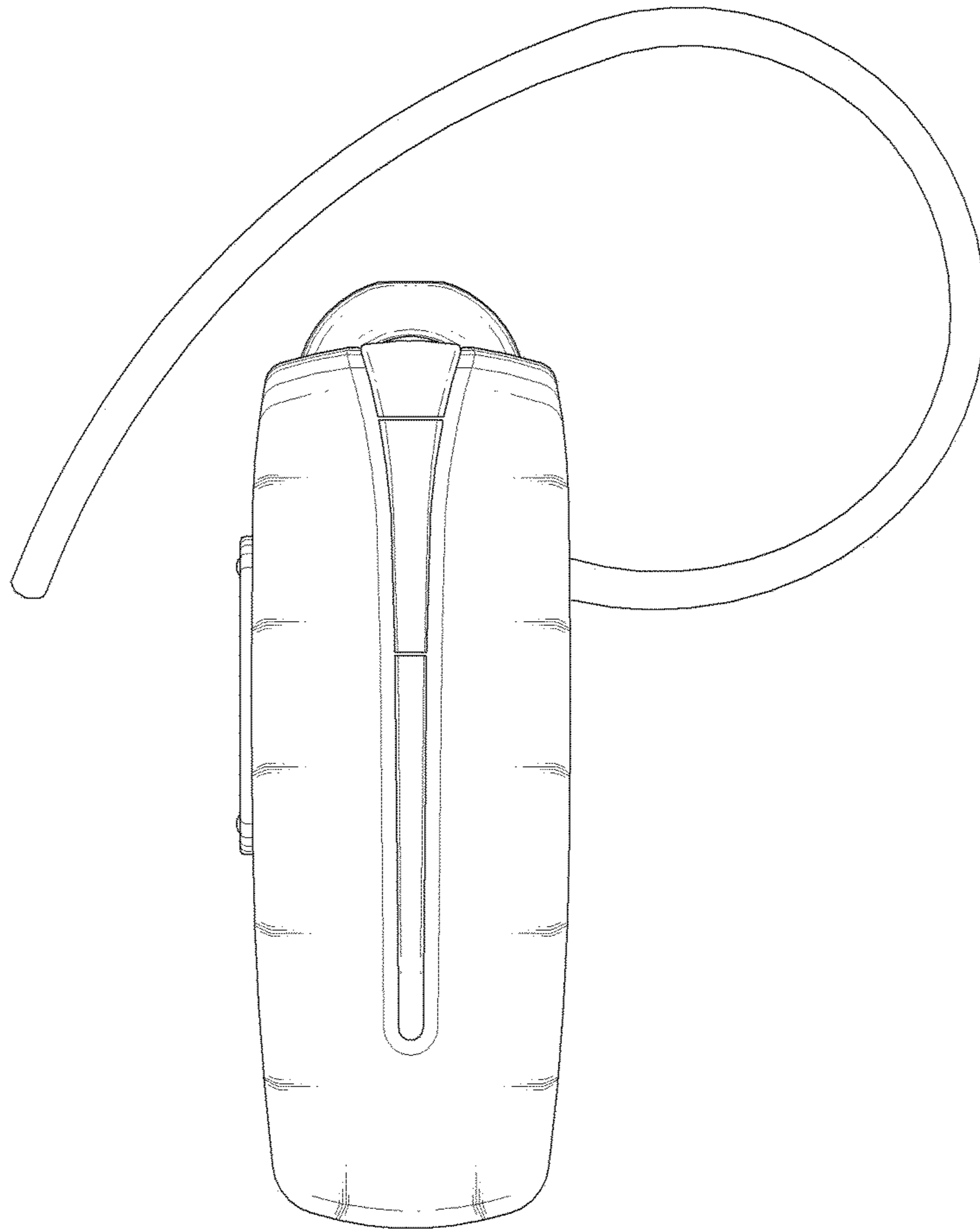


FIG. 3

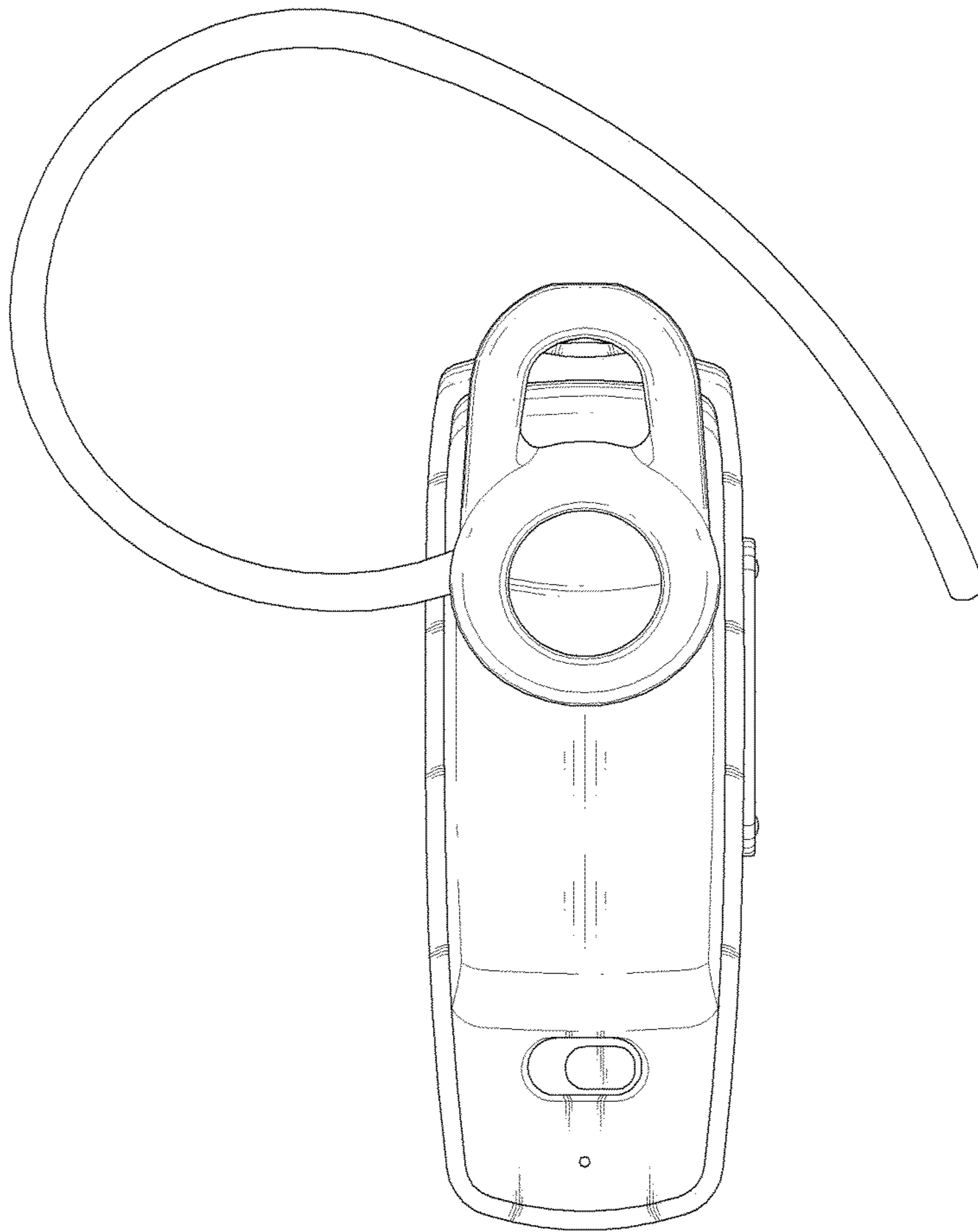


FIG. 4

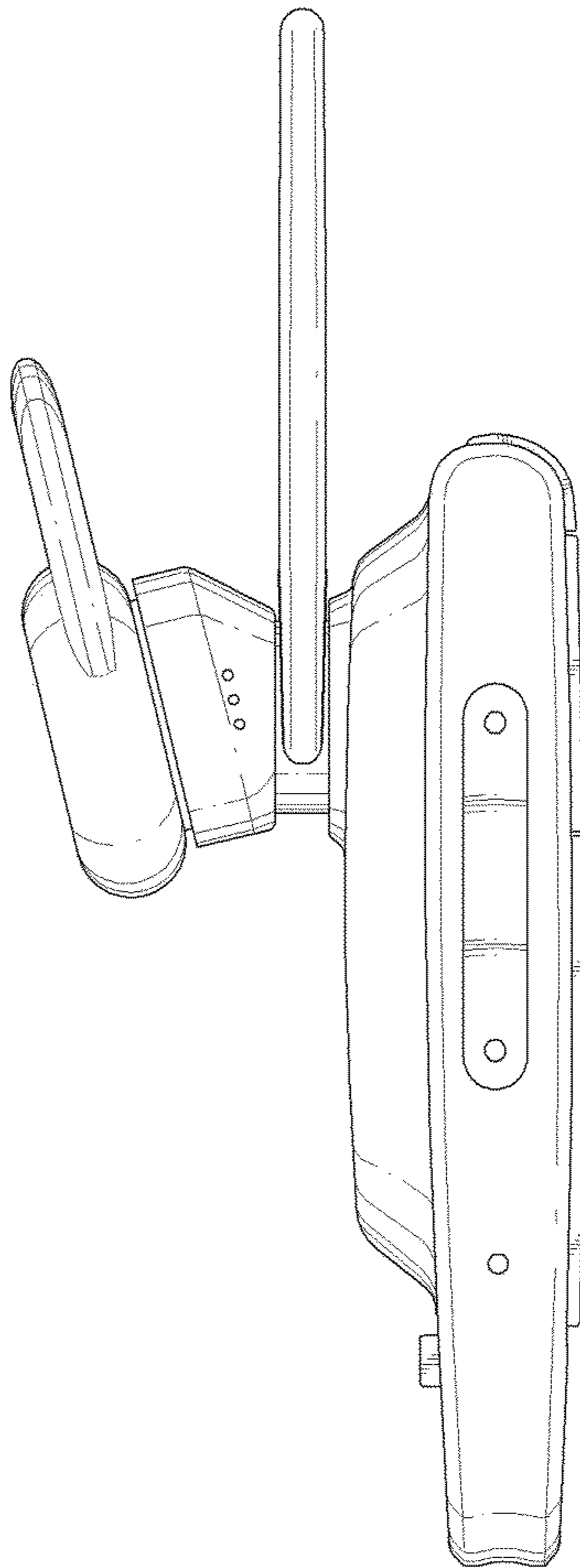


FIG. 5

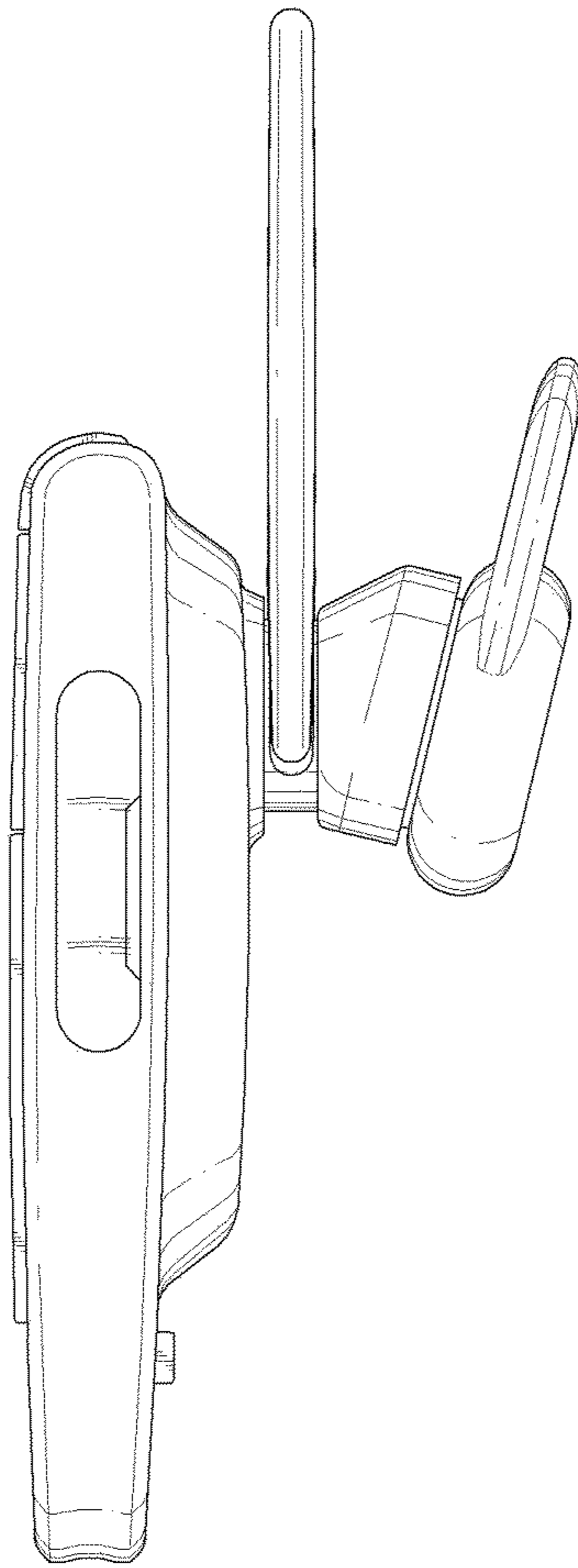


FIG. 6

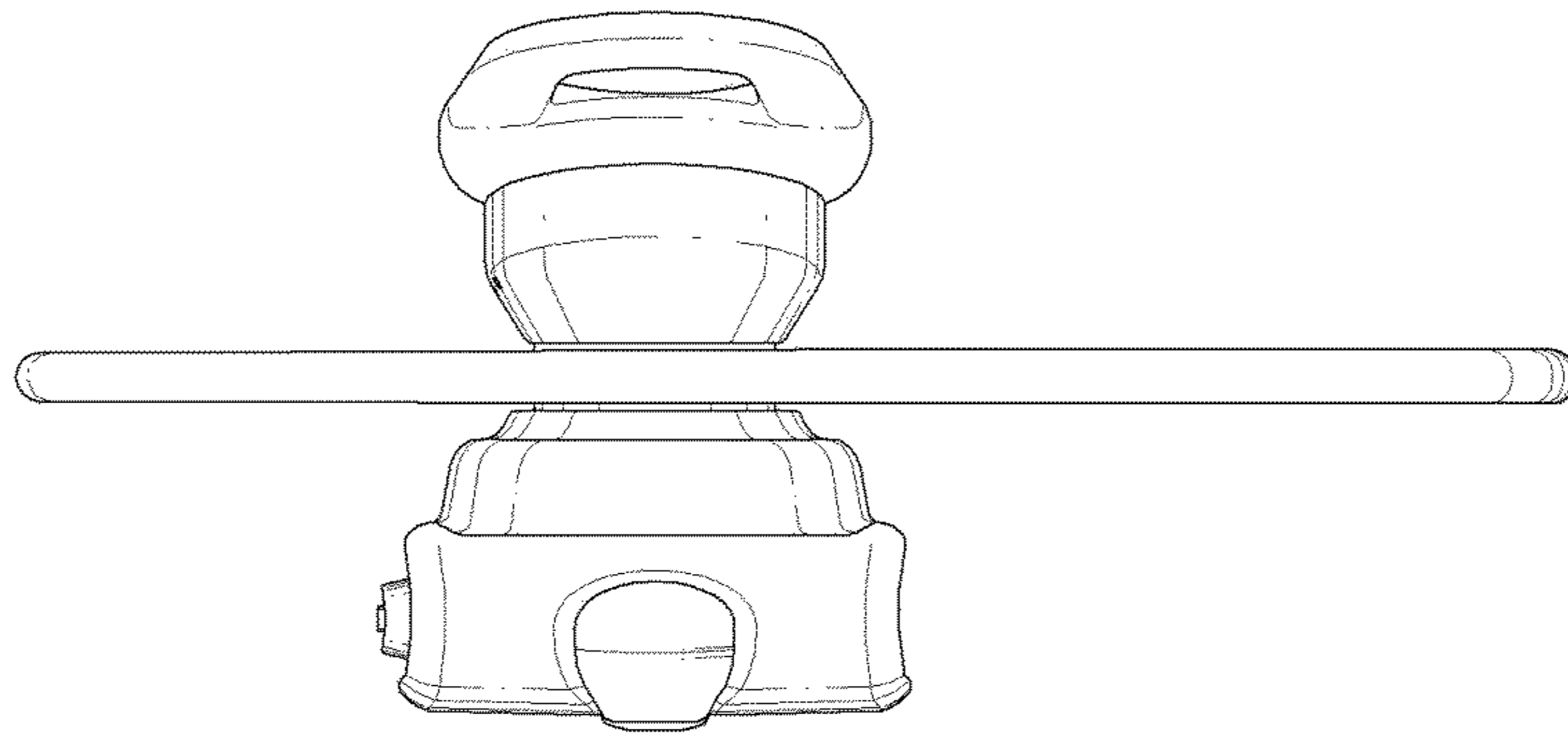


FIG. 7

