



US00D690286S

(12) **United States Design Patent**
Petersen

(10) **Patent No.:** **US D690,286 S**

(45) **Date of Patent:** **** Sep. 24, 2013**

(54) **AUDIO SPEAKER SET FOR PORTABLE ELECTRONIC DEVICES**

(75) Inventor: **Christopher M. Petersen**, Milford, NH (US)

(73) Assignee: **Brookstone Purchasing, Inc.**, Merrimack, NH (US)

(**) Term: **14 Years**

(21) Appl. No.: **29/399,910**

(22) Filed: **Aug. 19, 2011**

(51) **LOC (9) Cl.** **14-03**

(52) **U.S. Cl.**
USPC **D14/211; D14/209.1**

(58) **Field of Classification Search**
USPC D14/140, 142, 149, 155, 157, 172, D14/188, 191-194, 196, 203.1-203.8, 204, D14/207, 210-216, 217, 240, 243, 251, 253, D14/432-435.1, 447, 451, 474, 480.1-480.7, D14/496; 181/143, 144, 147, 148, 150, 153, 181/157, 198, 199; 381/300-303, 306, 332, 381/333, 336, 345, 361-364, 386-388; D13/107, 108, 118; D3/218; 248/221.11, 248/309.1; 320/107, 110, 113-115; 361/600; 439/529, 534; 455/556.1-556.2, 557
See application file for complete search history.

(56) **References Cited**

U.S. PATENT DOCUMENTS

D297,831 S * 9/1988 Hirose et al. D14/162
D362,695 S * 9/1995 Waldhelm D21/513

(Continued)

OTHER PUBLICATIONS

Brookstone, 2in1 Music System product manual (Sku No. 634410), First Date of Sale Sep. 2009, 40p.

(Continued)

Primary Examiner — Keli L Hill

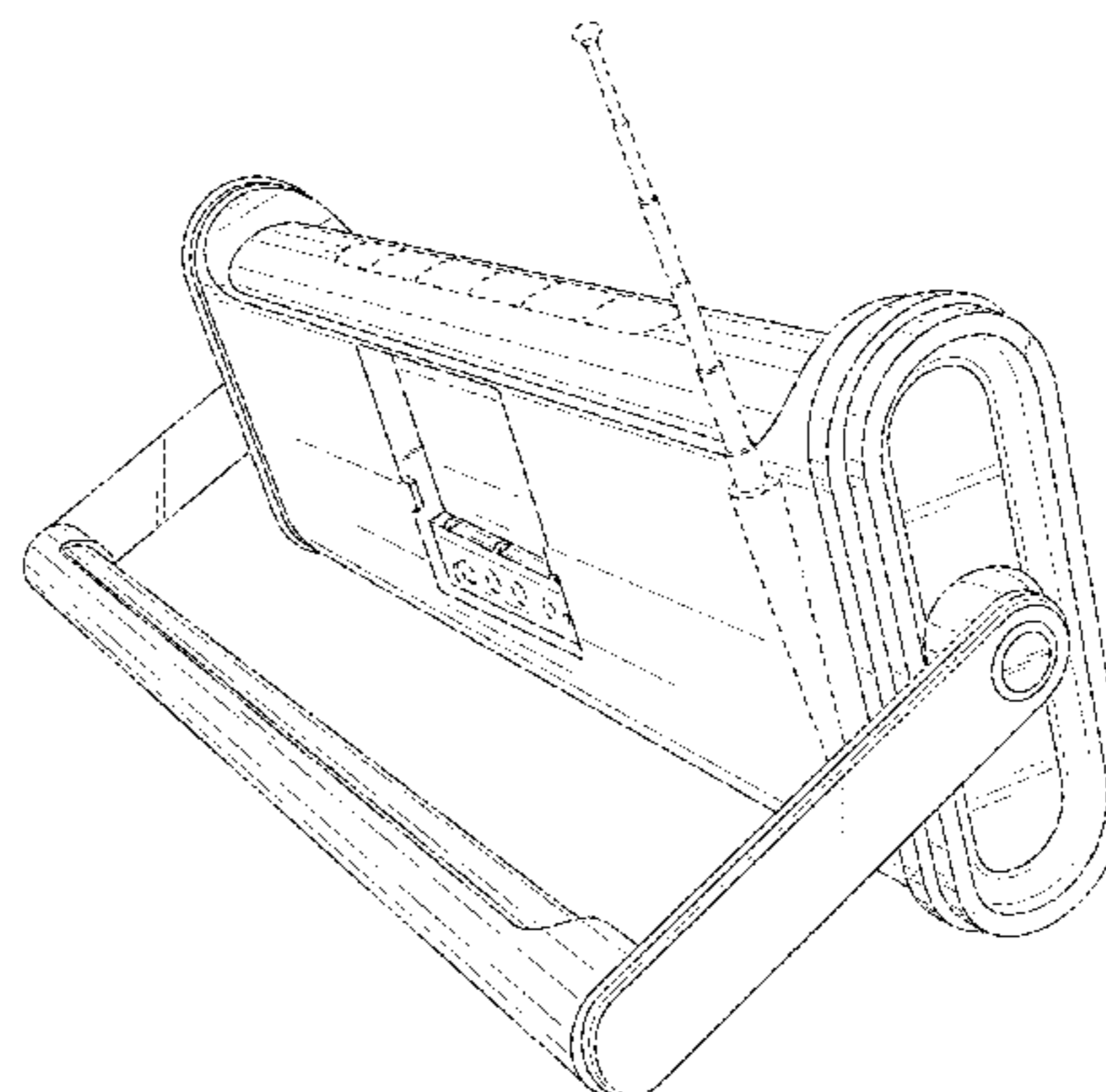
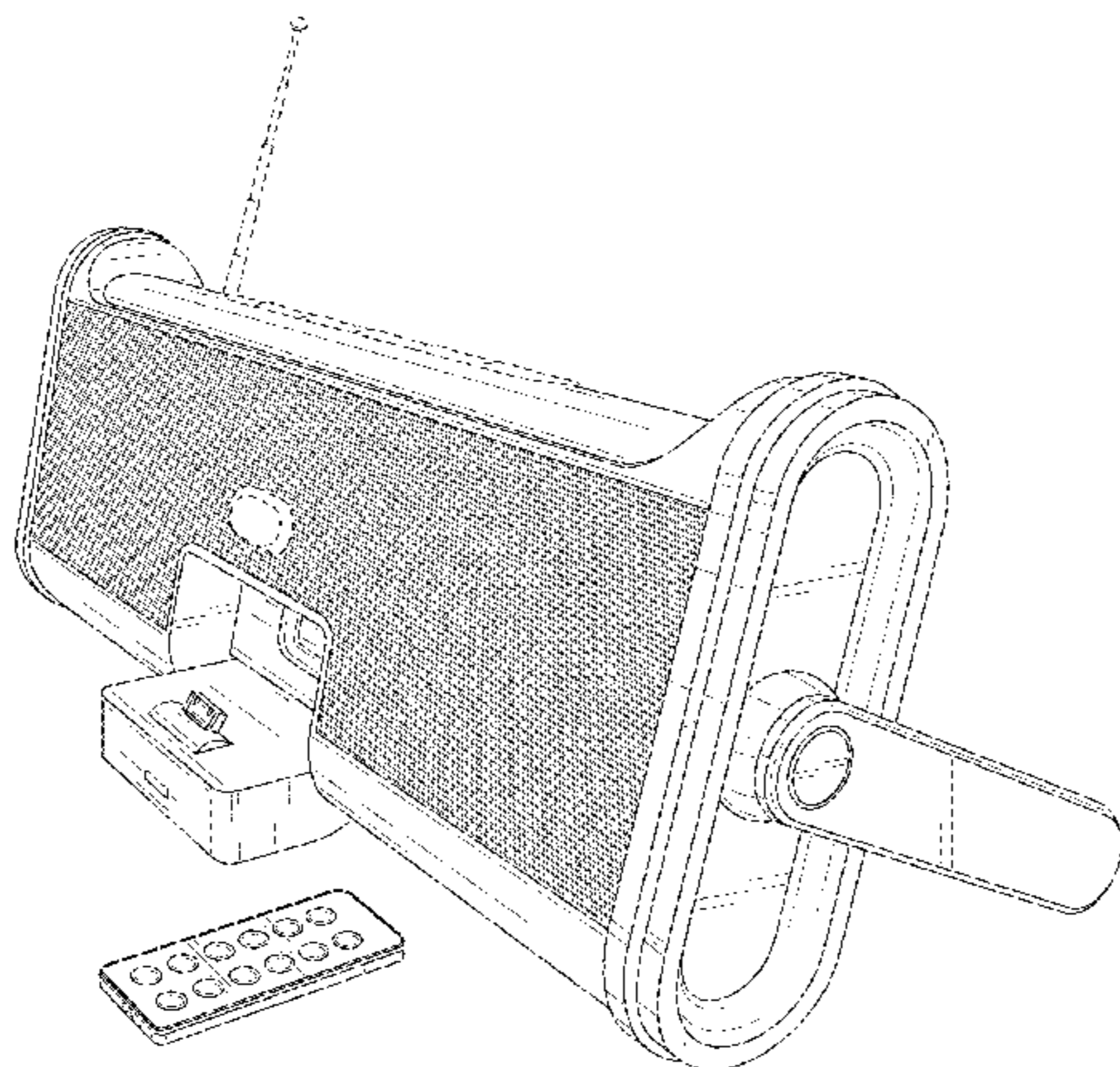
(74) *Attorney, Agent, or Firm* — Grossman Tucker Perreault & Pflieger, PLLC

(57) **CLAIM**
The ornamental design for an audio speaker set for portable electronic devices, as shown and described.

DESCRIPTION

FIG. 1 is a frontal perspective view of an audio speaker set for portable electronic devices including a remote control, a rear receptacle, a dock assembly capable of being in an up position and a down position, and a handle capable of being in a propped position and a stowed position wherein said audio speaker is shown with said dock assembly in said down position and said rotatable handle in said propped position.
FIG. 2 is a rear perspective view thereof.
FIG. 3 is a front elevation view thereof.
FIG. 4 is a rear elevation view thereof.
FIG. 5 is a left-side elevation view thereof.
FIG. 6 is a right-side elevation view thereof.
FIG. 7 is a top plan view thereof.
FIG. 8 is a bottom plan view thereof.
FIG. 9 is a frontal perspective view of said audio speaker shown with said dock assembly in said up position, said handle in said propped position, and said remote stowed in said rear receptacle.
FIG. 10 is a front elevation view of said audio speaker shown with said dock assembly in said down position and said handle in said propped position and depicted in condition of use with an unclaimed portable electronic device.
FIG. 11 is a frontal perspective view thereof.
FIG. 12 is a frontal perspective view of said audio speaker shown with said dock assembly in said up position, said handle in said stowed position, and said remote stowed in said rear receptacle.
FIG. 13 is a rear perspective view thereof.
FIG. 14 is a front elevation view thereof.
FIG. 15 is a rear elevation view thereof.
FIG. 16 is a left-side elevation view thereof.
FIG. 17 is a right-side elevation view thereof.
FIG. 18 is a top plan view thereof; and,
FIG. 19 is a bottom plan view thereof.
The broken lines are included for the purpose of illustrating the unclaimed portions of the article and form no part of the claim.

1 Claim, 19 Drawing Sheets=



(56)

References Cited

U.S. PATENT DOCUMENTS

D476,640 S 7/2003 Harris
 D532,769 S 11/2006 Harris
 D532,773 S * 11/2006 Langberg et al. D14/209.1
 D552,080 S * 10/2007 Langberg et al. D14/214
 D558,185 S * 12/2007 Schul et al. D14/214
 D560,208 S 1/2008 Skurdal
 D563,385 S 3/2008 Skurdal
 D577,002 S * 9/2008 Kurihara D14/170
 D583,356 S * 12/2008 Schul et al. D14/168
 D584,716 S * 1/2009 Ahlgren et al. D14/214
 D594,845 S 6/2009 Skurdal
 D596,162 S 7/2009 Selvaraj
 D610,569 S * 2/2010 Fiebel et al. D14/209.1
 D615,527 S * 5/2010 Hwang D14/203.8
 D619,116 S 7/2010 Skurdal
 D620,921 S 8/2010 Skurdal
 D620,922 S 8/2010 Skurdal
 D621,813 S * 8/2010 Wang et al. D14/209.1
 D627,760 S 11/2010 Garrett
 D633,474 S * 3/2011 Ohashi D14/209.1
 D639,271 S * 6/2011 Xiao D14/209.1
 D642,156 S 7/2011 Joseph
 D647,505 S * 10/2011 Skurdal D14/209.1

D663,289 S * 7/2012 Murchison et al. D14/218
 D663,718 S * 7/2012 Jang D14/214
 D666,171 S * 8/2012 Song et al. D14/214

OTHER PUBLICATIONS

Brookstone, 2in1 Micro CD System product manual (Sku No. 649228), First Date of Sale Nov. 2010, 28p.
 Brookstone, Flip Speaker Dock product manual (Sku No. 610568), First Date of Sale Dec. 2008, 16p.
 Brookstone, Power Speaker Stereo for iPad product manual (Sku No. 650390), First Date of Sale Nov. 2010, 20pgs.
 Wikipedia, Boombox, Date of Generation Aug. 29, 2002, 8pgs.
 Eton Corporation, Soutra XL product manual (Brookstone Sku No. 745164), 2010 (Copyright), 72p.
 Eton Corporation, Soutra product manual (Brookstone Sku No. 691717), 2010 (Copyright), 72p.
 Homedics, Mini Boombox on Amazon, Date First Available Jun. 11, 2010, 6p.
 SDI Technologies, Inc., iHome product manual Model No. iA100, 2010 (Copyright), 17p.
 SDI Technologies, Inc., iHome product manual Model No. iD85, 2010 (Copyright), 14p.
 SDI Technologies, Inc., (iHome product manual Model No. iP45, 2010 (Copyright), 13p.

* cited by examiner

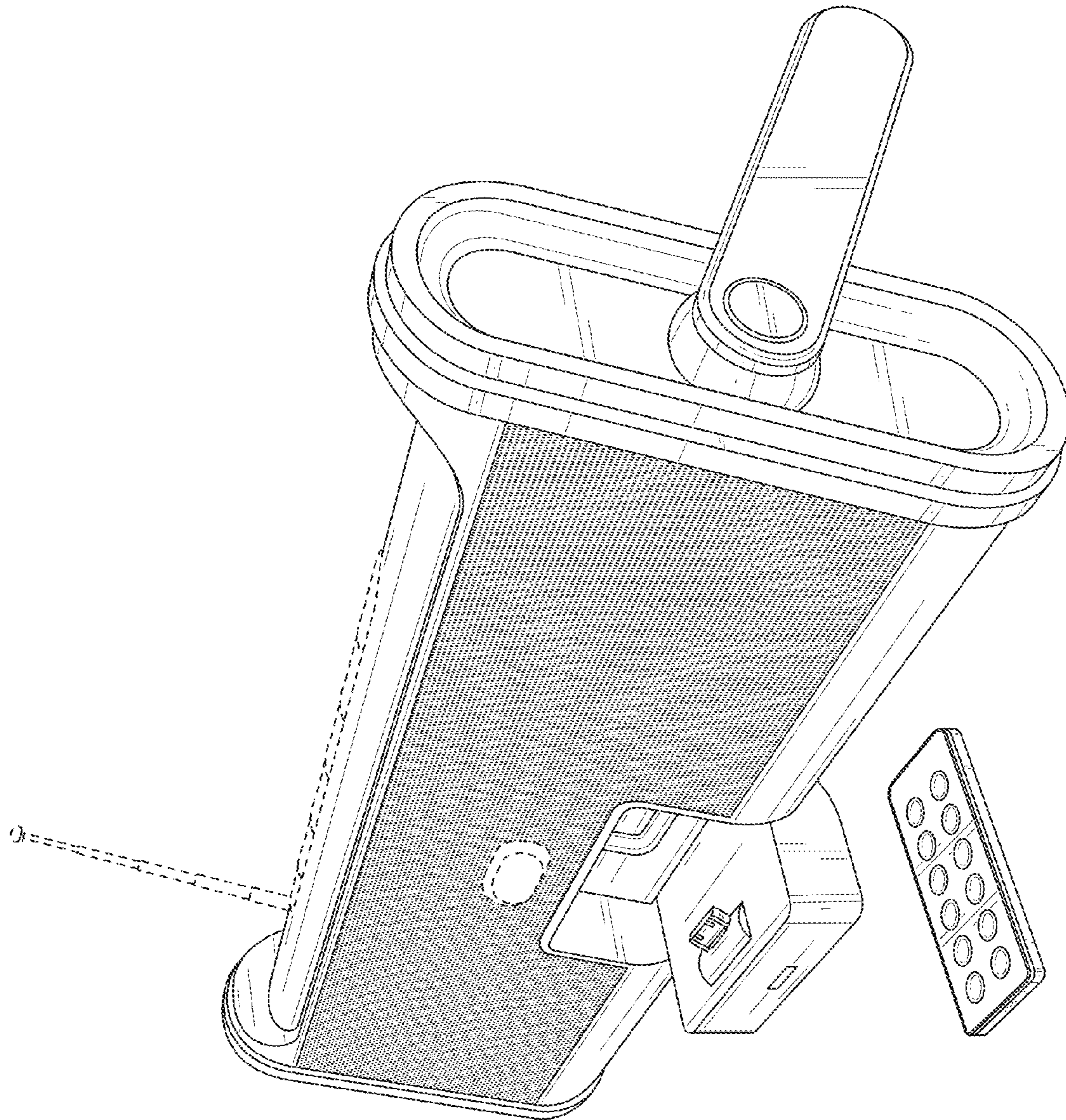


FIG. 1

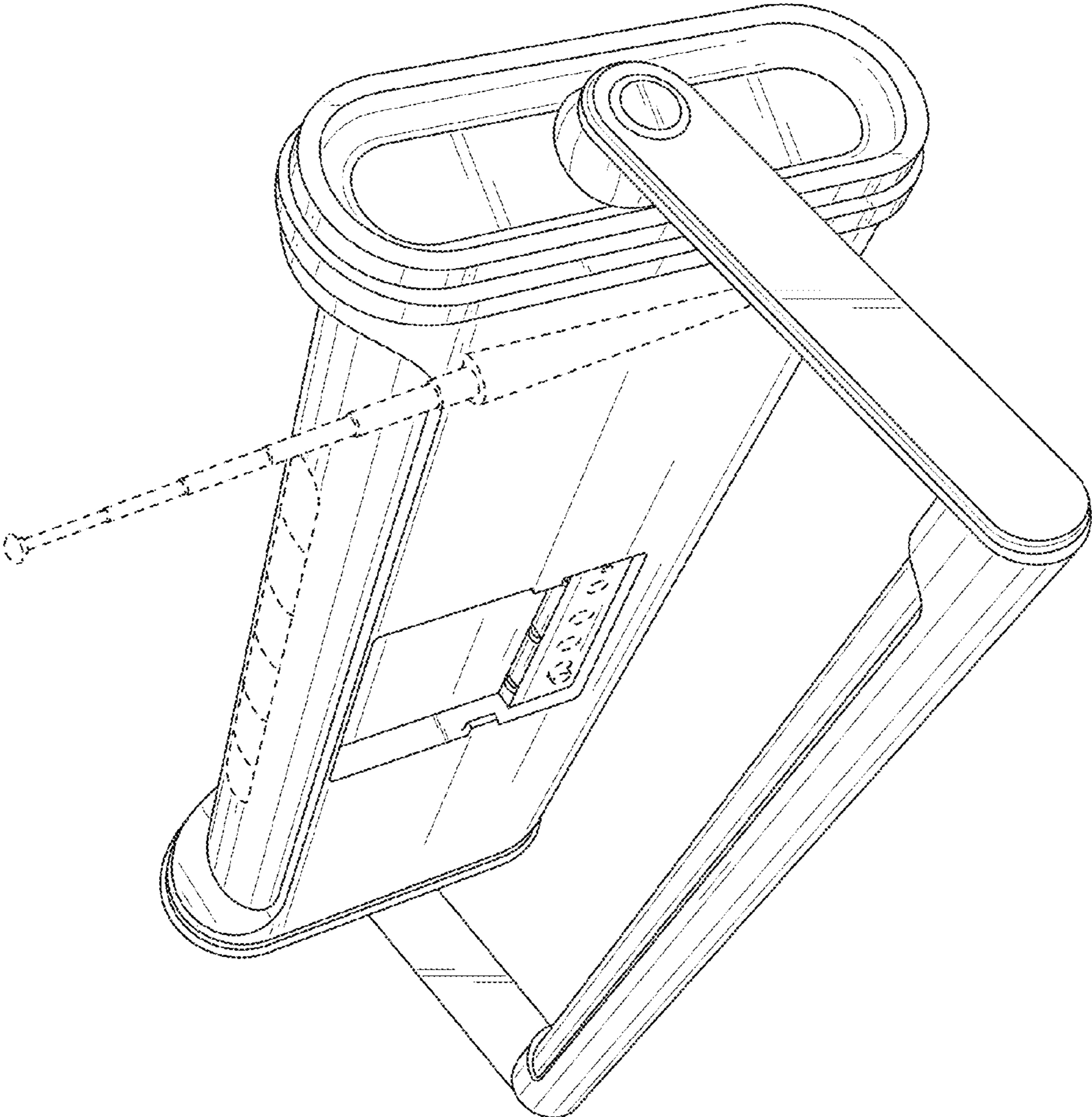


FIG. 2

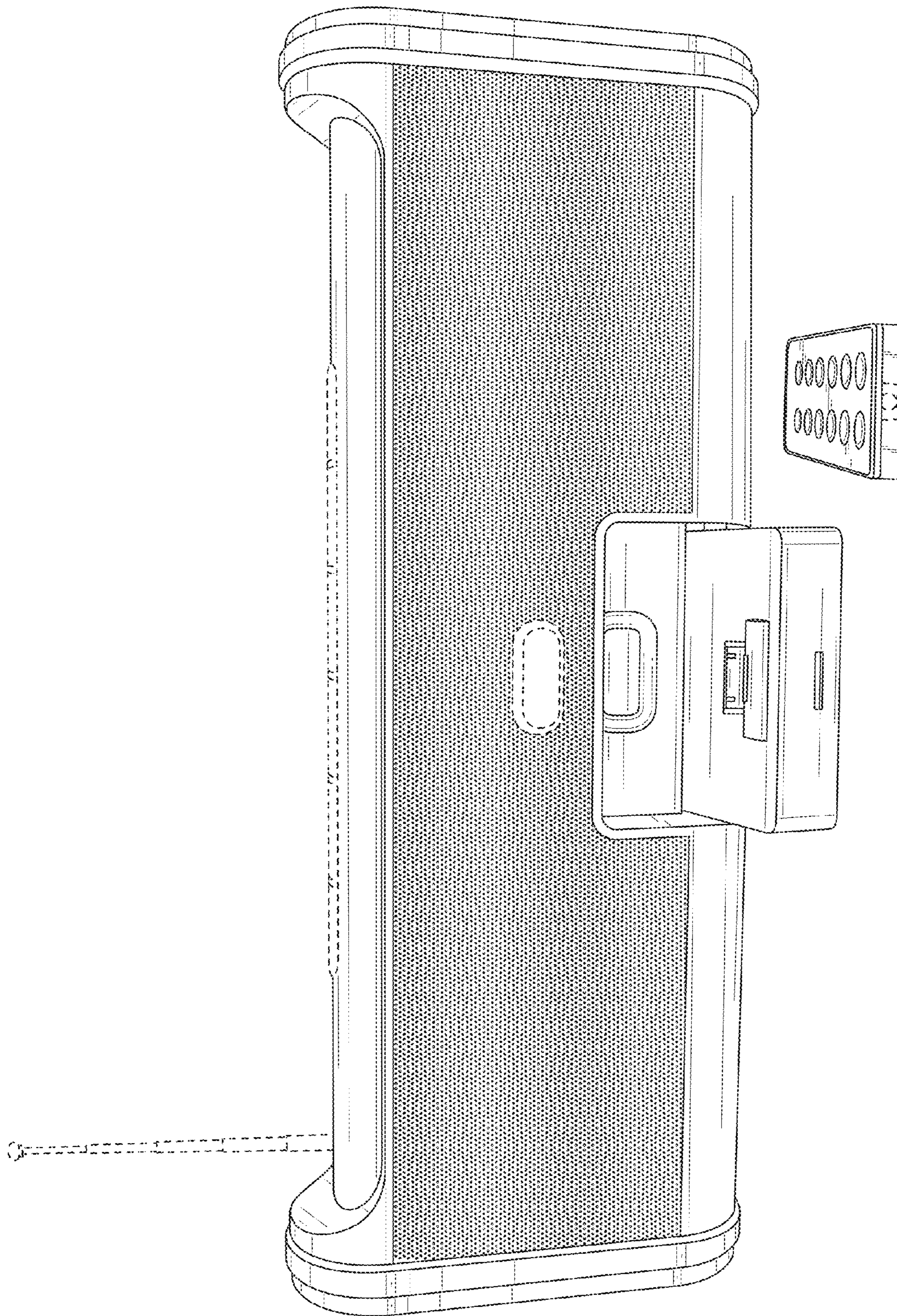


FIG. 3

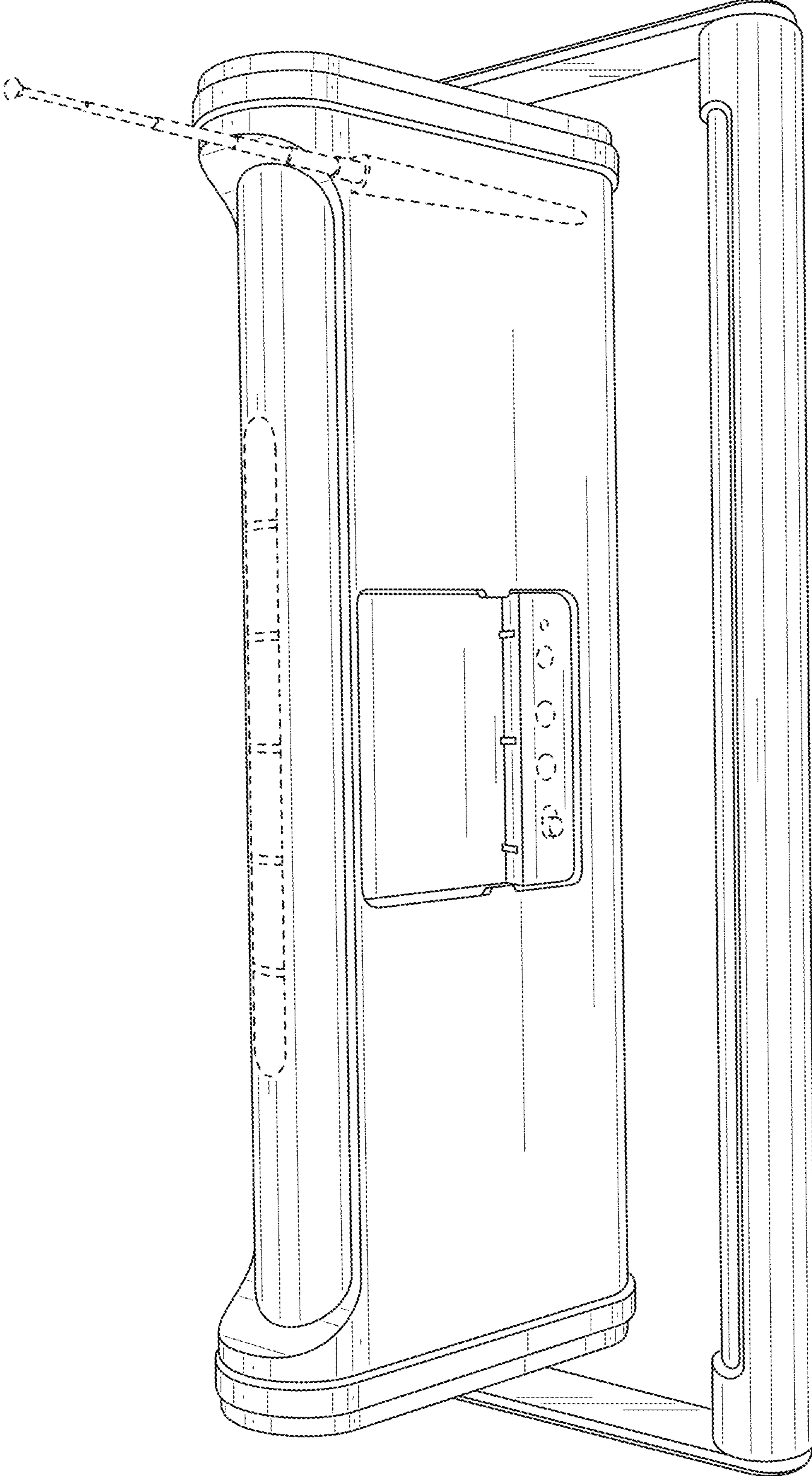


FIG. 4

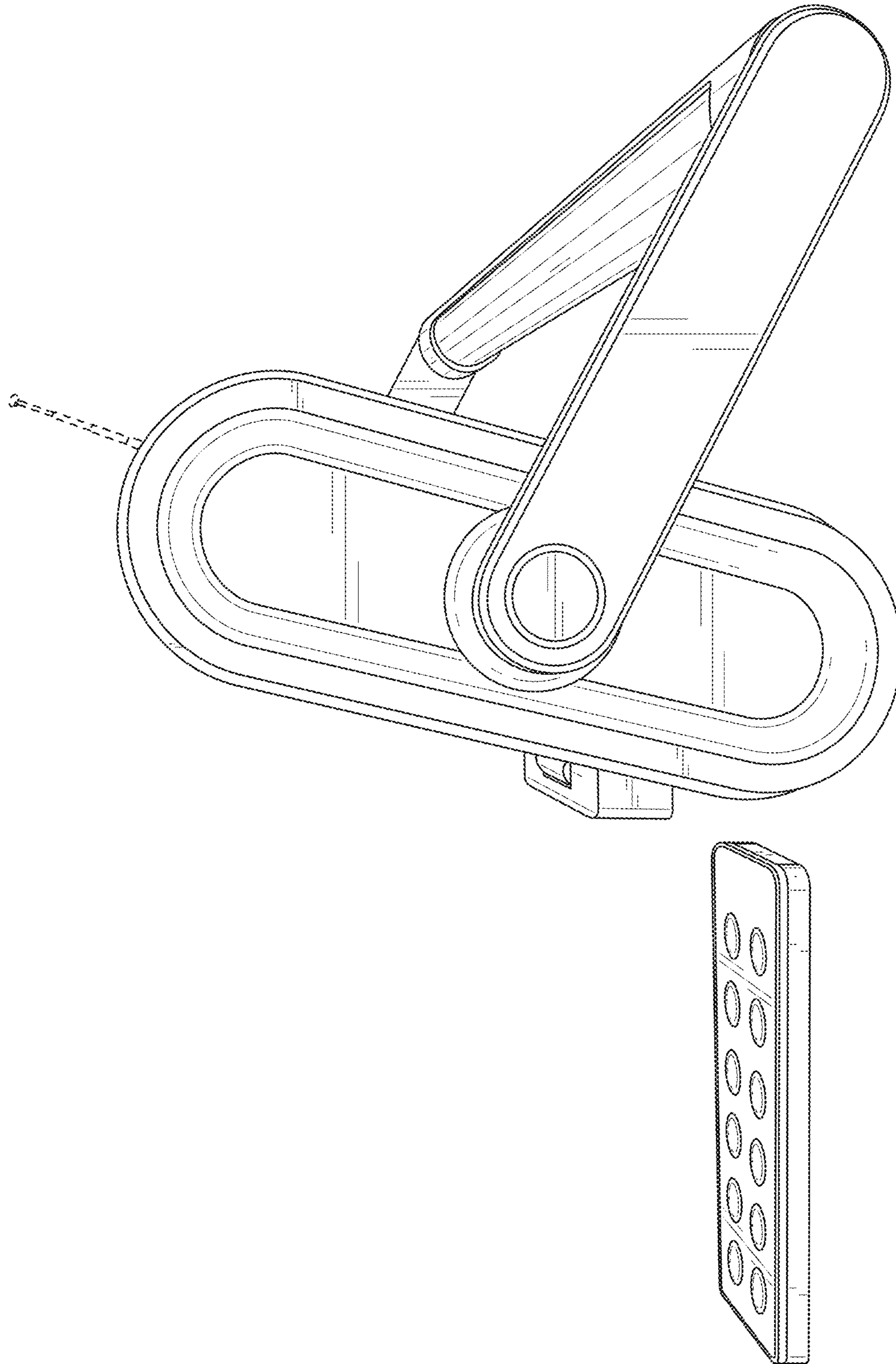


FIG. 5

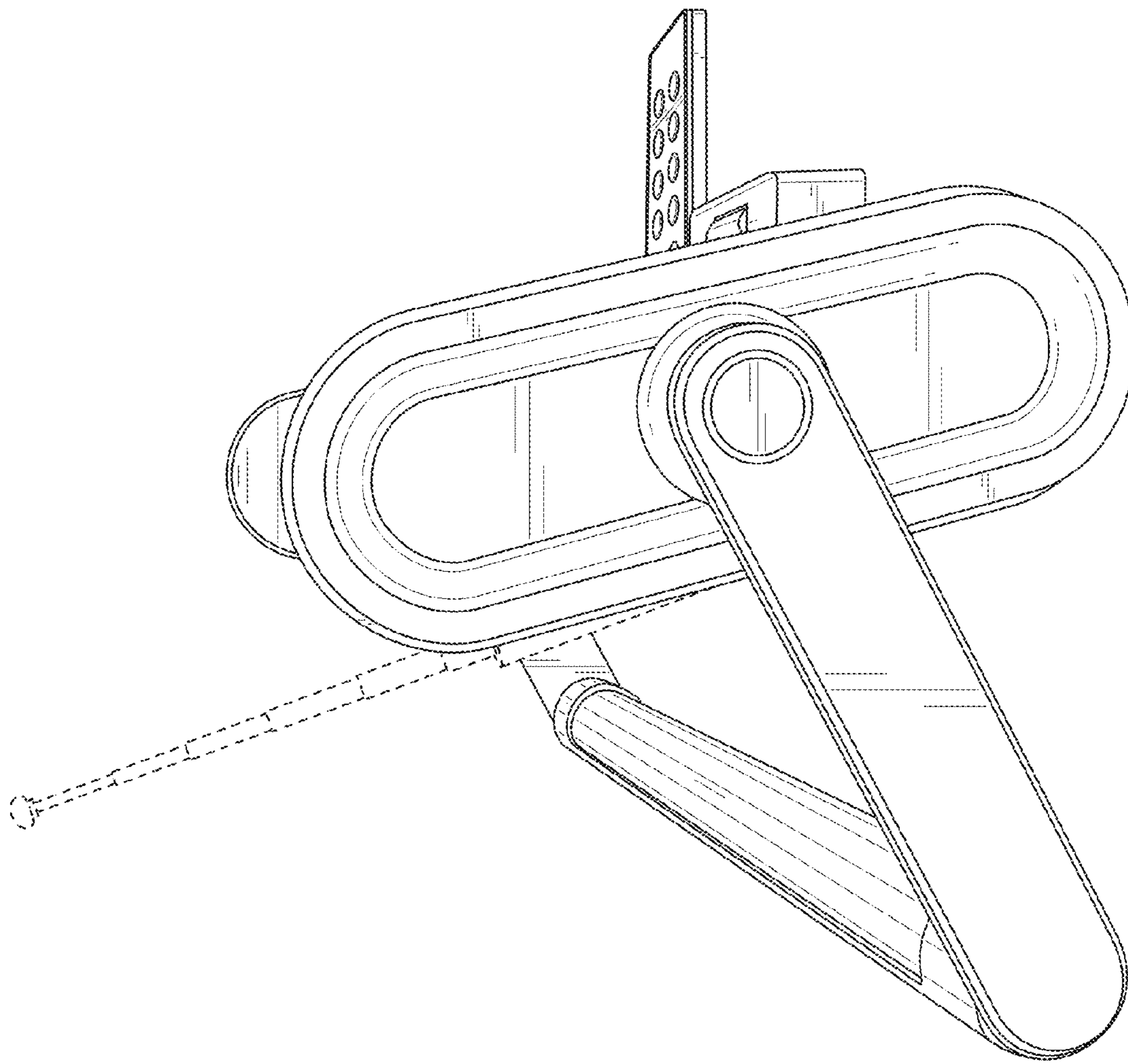


FIG. 6

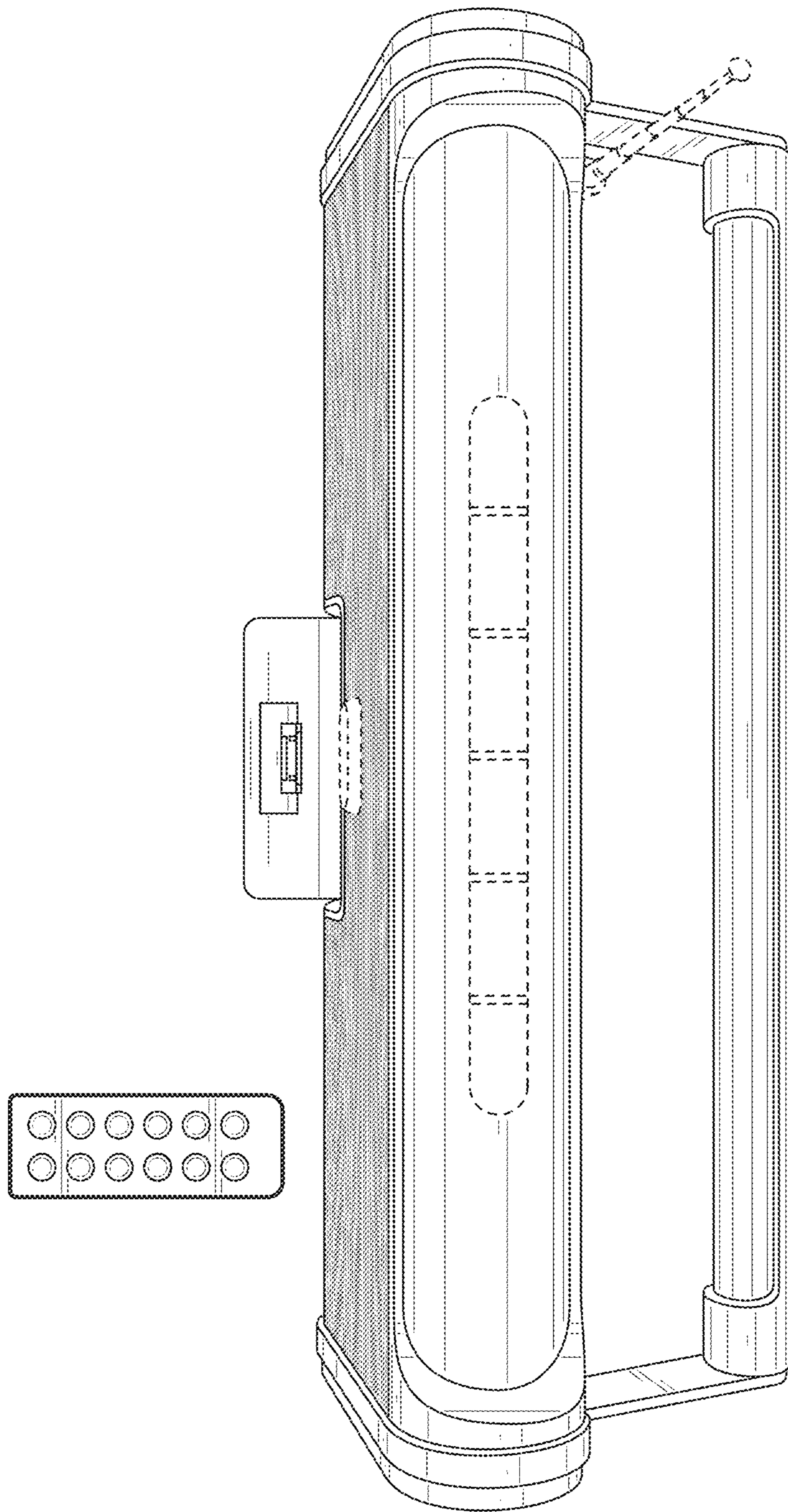


FIG. 7

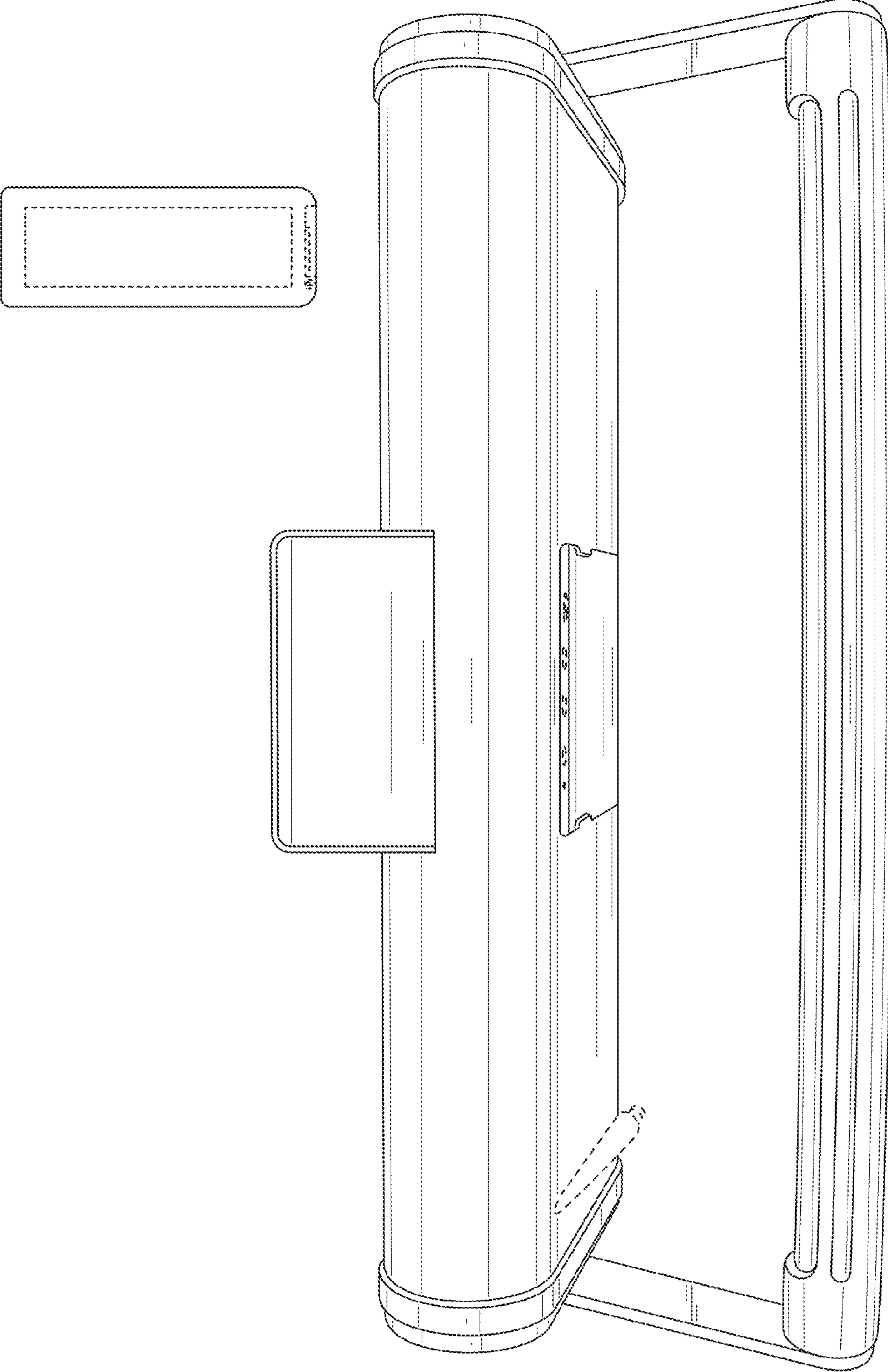


FIG. 8

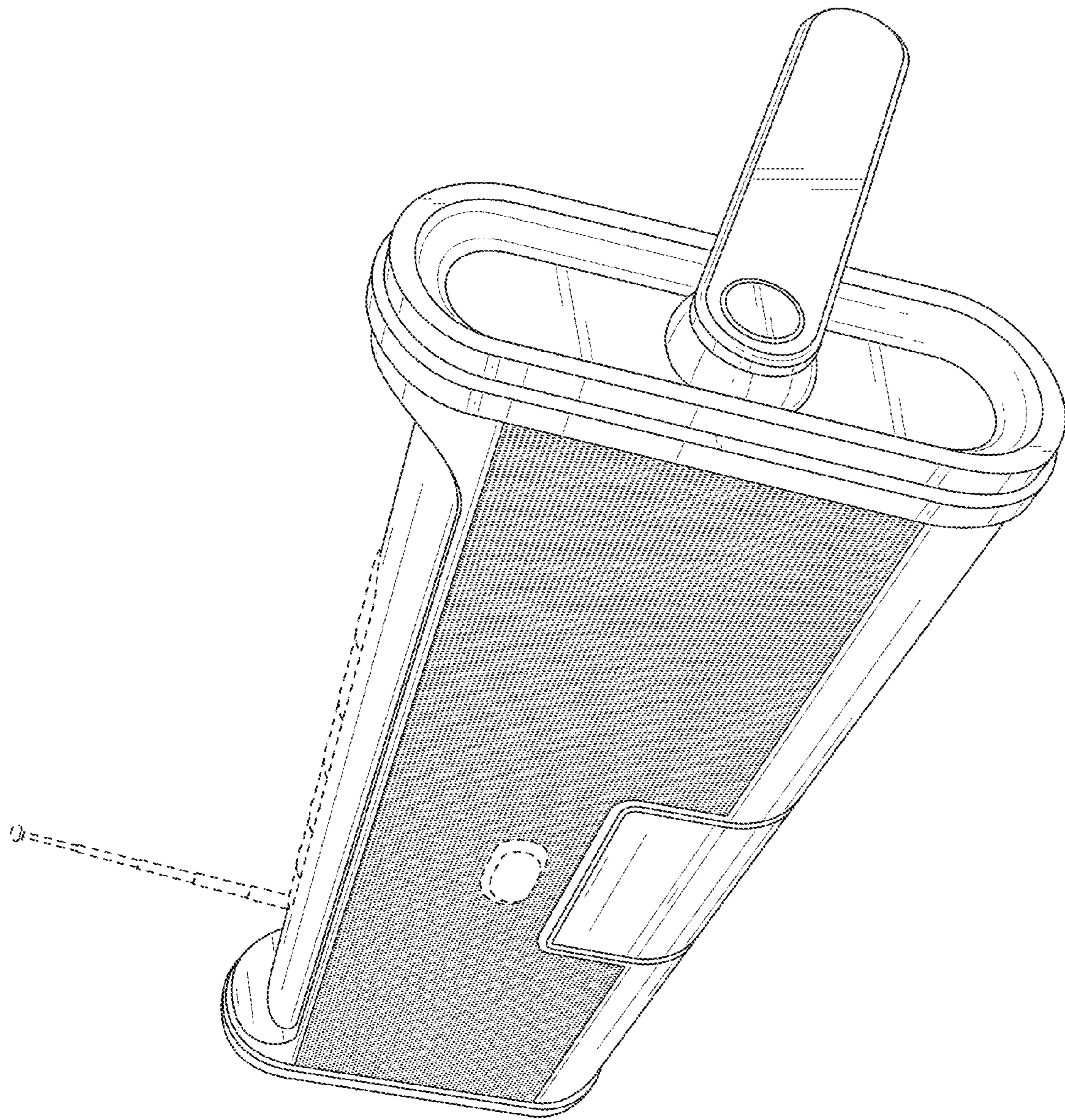


FIG. 9

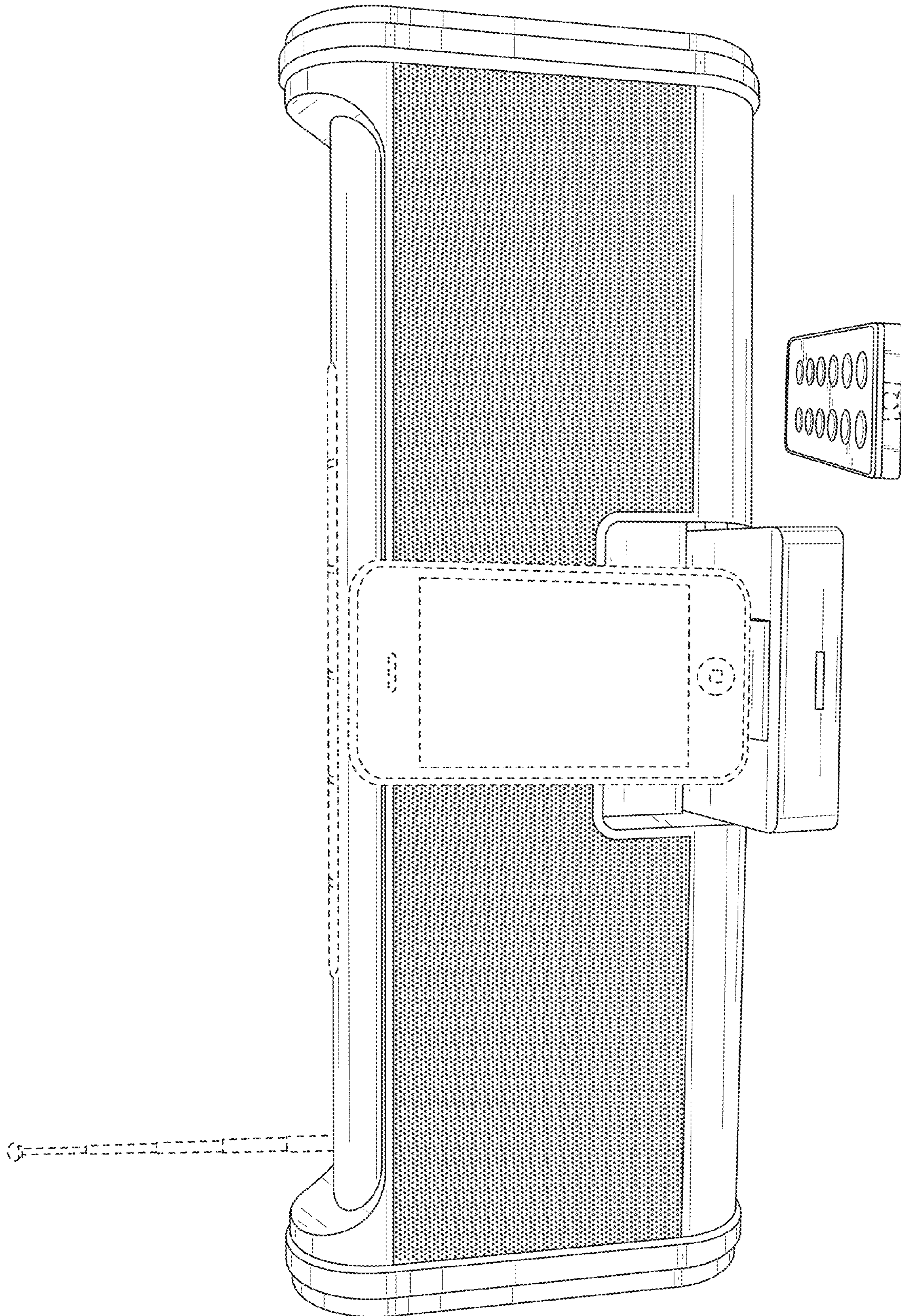


FIG. 10

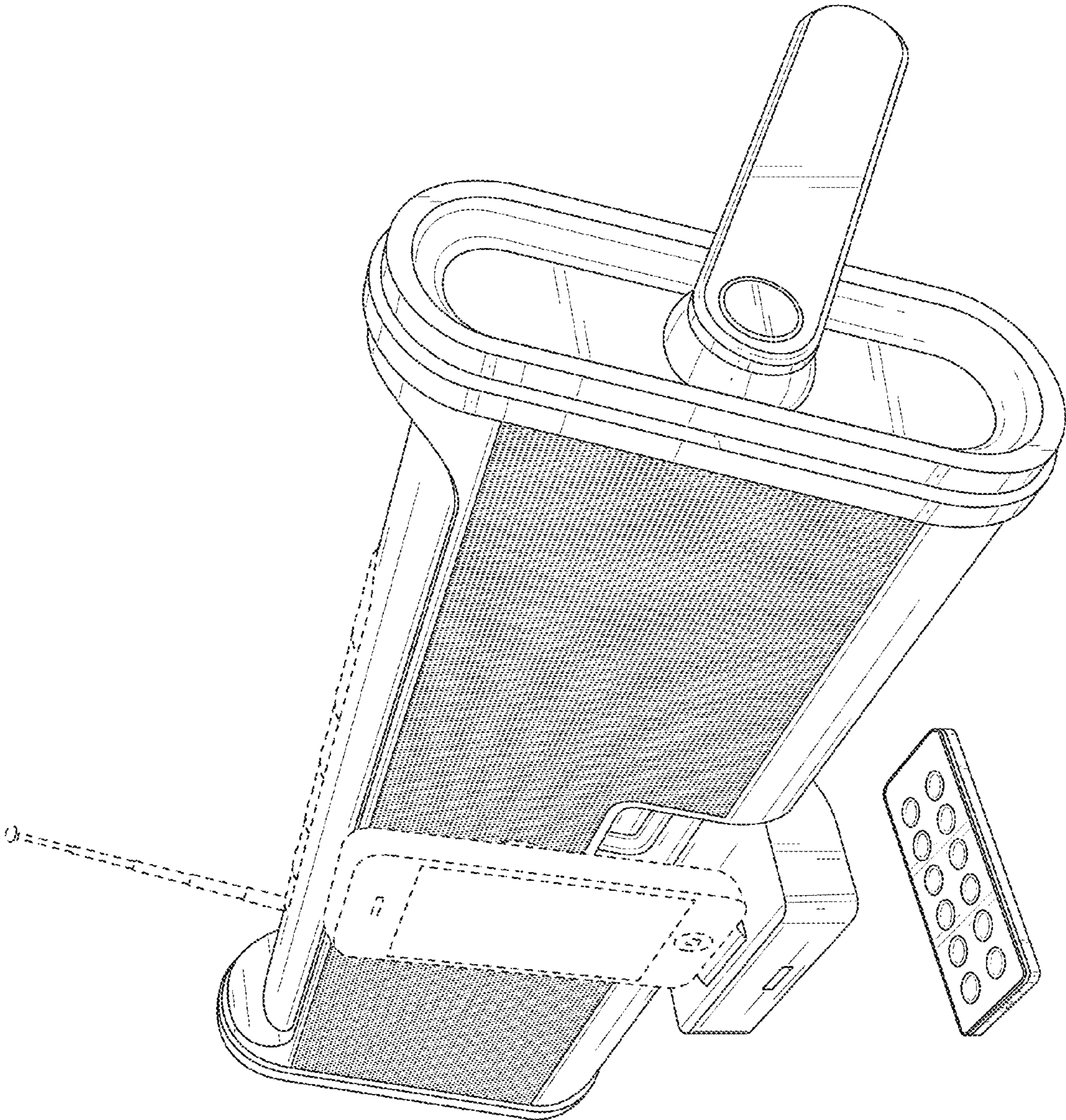


FIG. 11

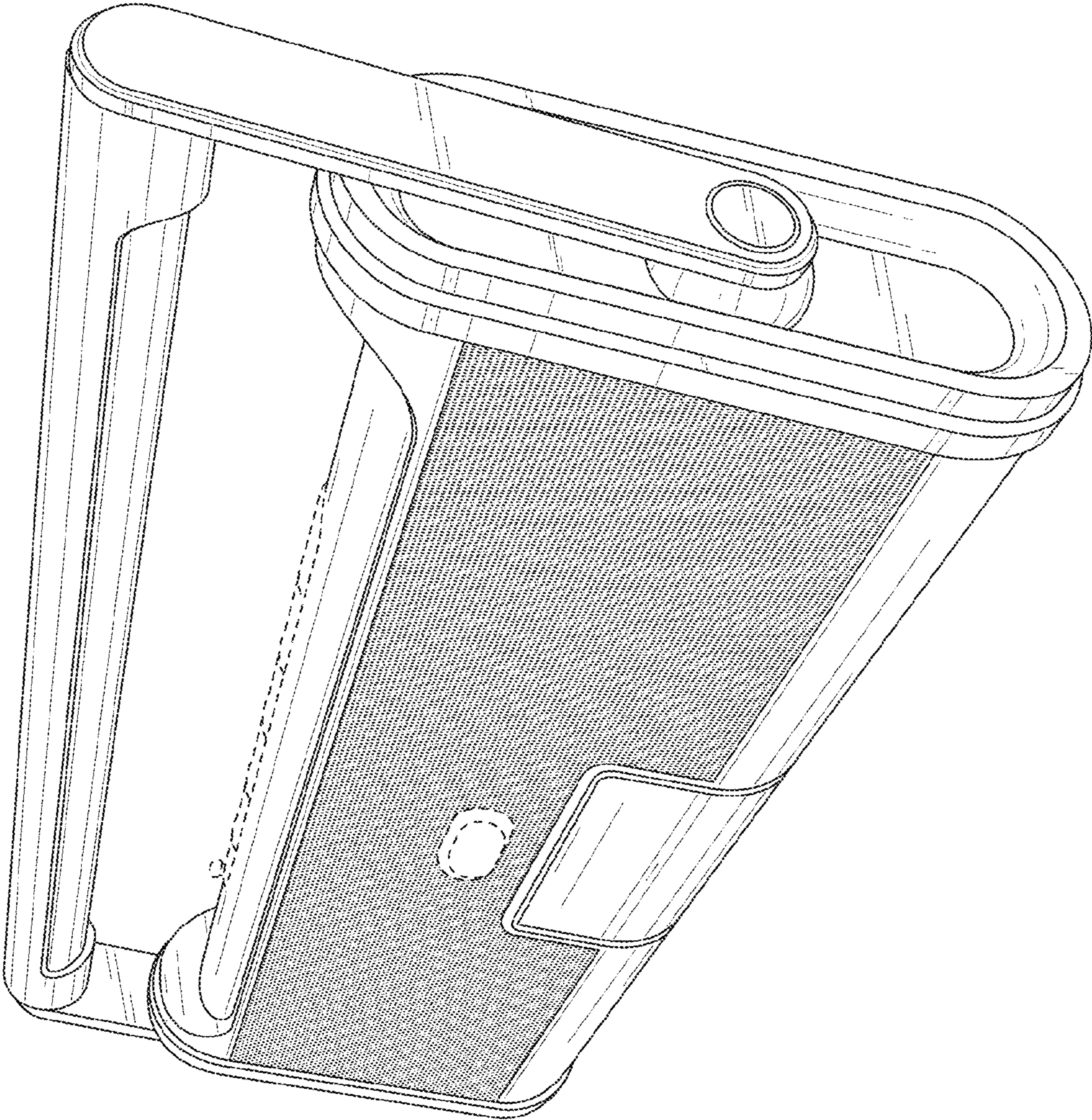


FIG. 12

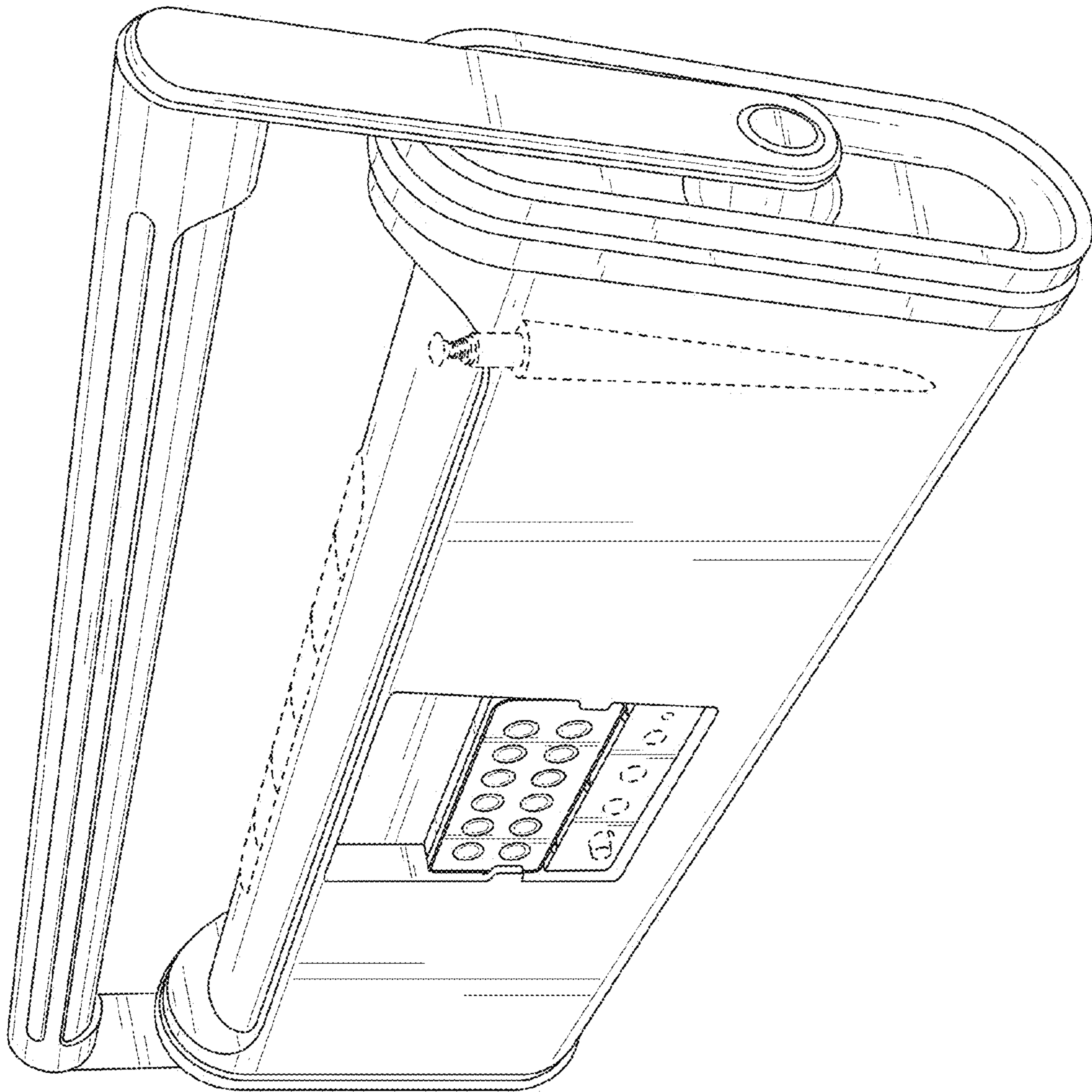


FIG. 13

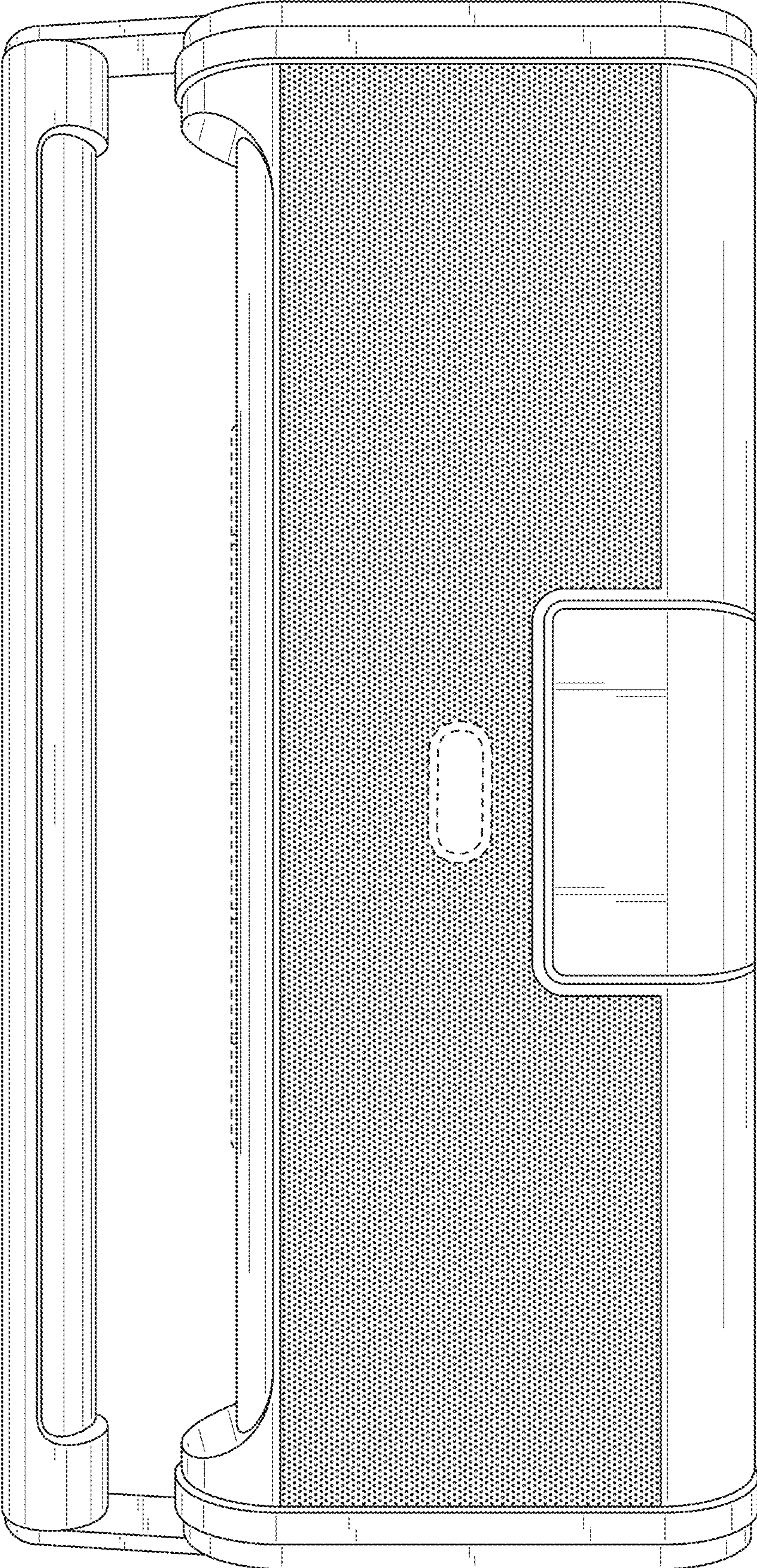


FIG. 14

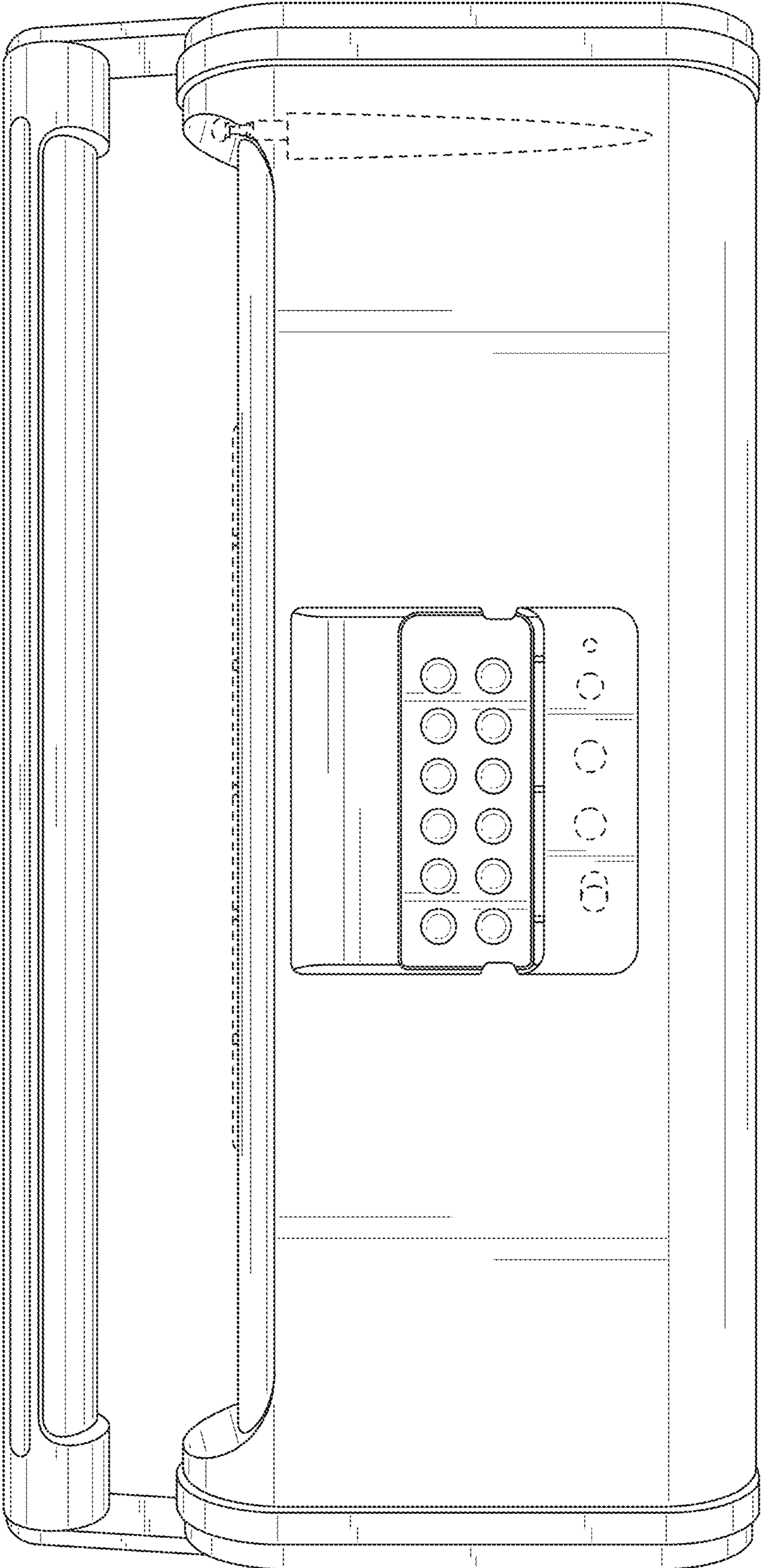


FIG. 15

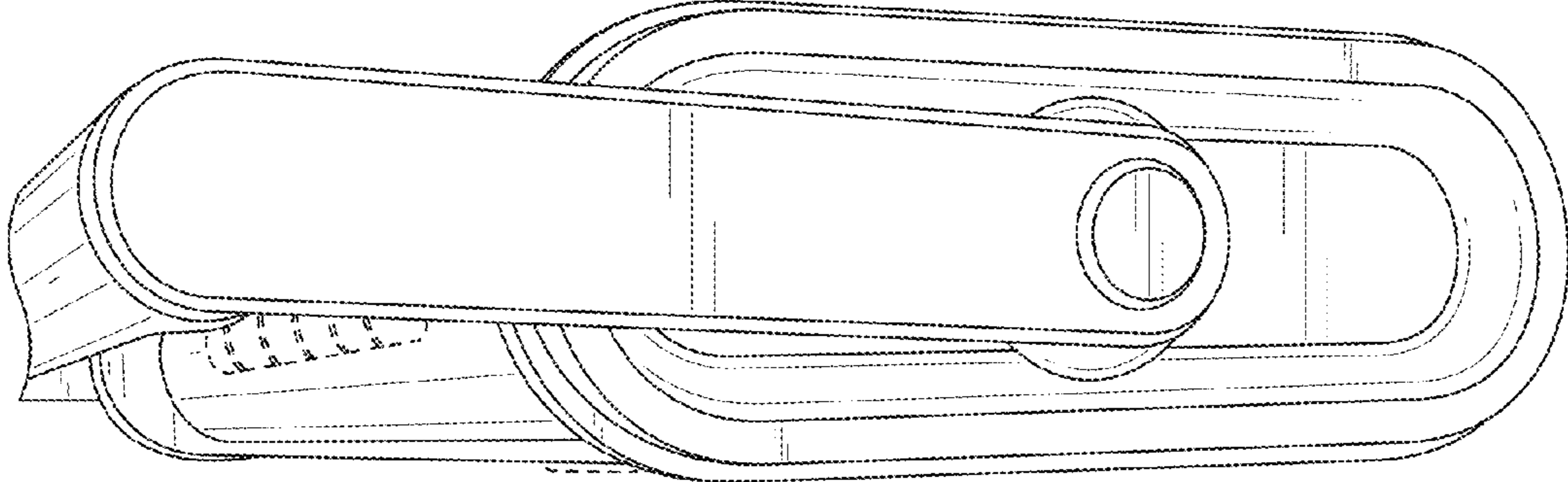


FIG. 16

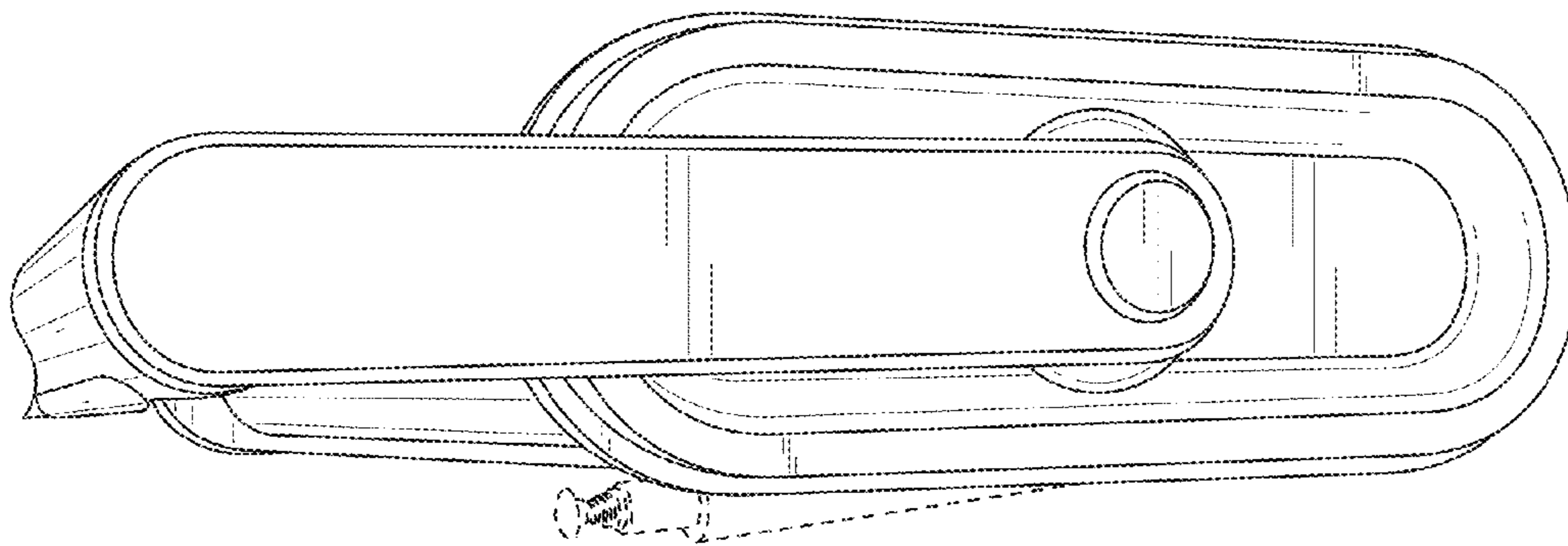


FIG. 17

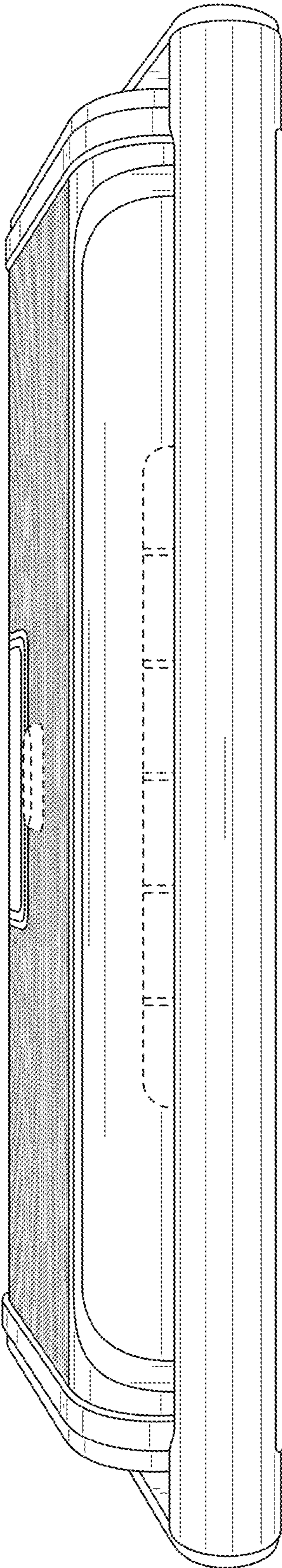


FIG. 18

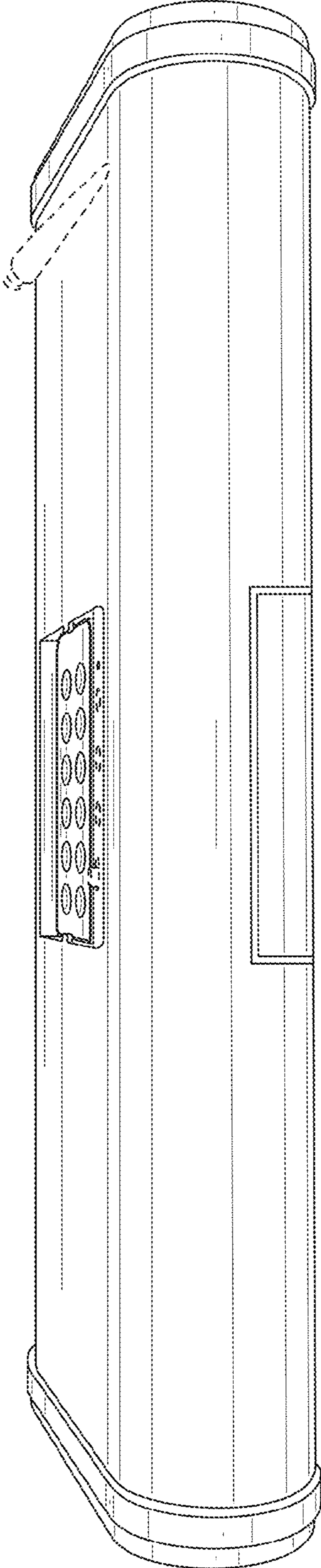


FIG. 19