

US00D690285S

(12) **United States Design Patent**
Breines

(10) **Patent No.:** **US D690,285 S**

(45) **Date of Patent:** **** Sep. 24, 2013**

- (54) **PORTABLE SPEAKER SYSTEM**
- (75) Inventor: **Robert Breines**, Westlake Village, CA (US)
- (73) Assignee: **AP Global Inc.**, Westlake Village, CA (US)
- (**) Term: **14 Years**
- (21) Appl. No.: **29/429,401**
- (22) Filed: **Aug. 10, 2012**
- (51) **LOC (9) Cl.** **14-01**
- (52) **U.S. Cl.**
USPC **D14/207; D14/209.1**
- (58) **Field of Classification Search**
USPC D14/204, 207, 210–216, 172, 209.1;
181/143, 144, 147, 148, 150–153, 157, 198,
181/199; 381/300–303, 306, 332, 333, 336,
381/345, 361–364, 386–388; D11/160, 162,
D11/606–609, 832
See application file for complete search history.

- D510,926 S * 10/2005 Jerome D14/500
- D528,536 S * 9/2006 Topping D14/207
- D530,308 S * 10/2006 Topping D14/207
- D544,194 S * 6/2007 Roth et al. D2/972
- D573,132 S * 7/2008 Yang D14/207
- D586,779 S * 2/2009 Lotman et al. D14/207
- D606,515 S * 12/2009 Ludlum et al. D14/209.1
- D642,157 S * 7/2011 Holzer D14/209.1

* cited by examiner

Primary Examiner — Prabhakar Deshmukh

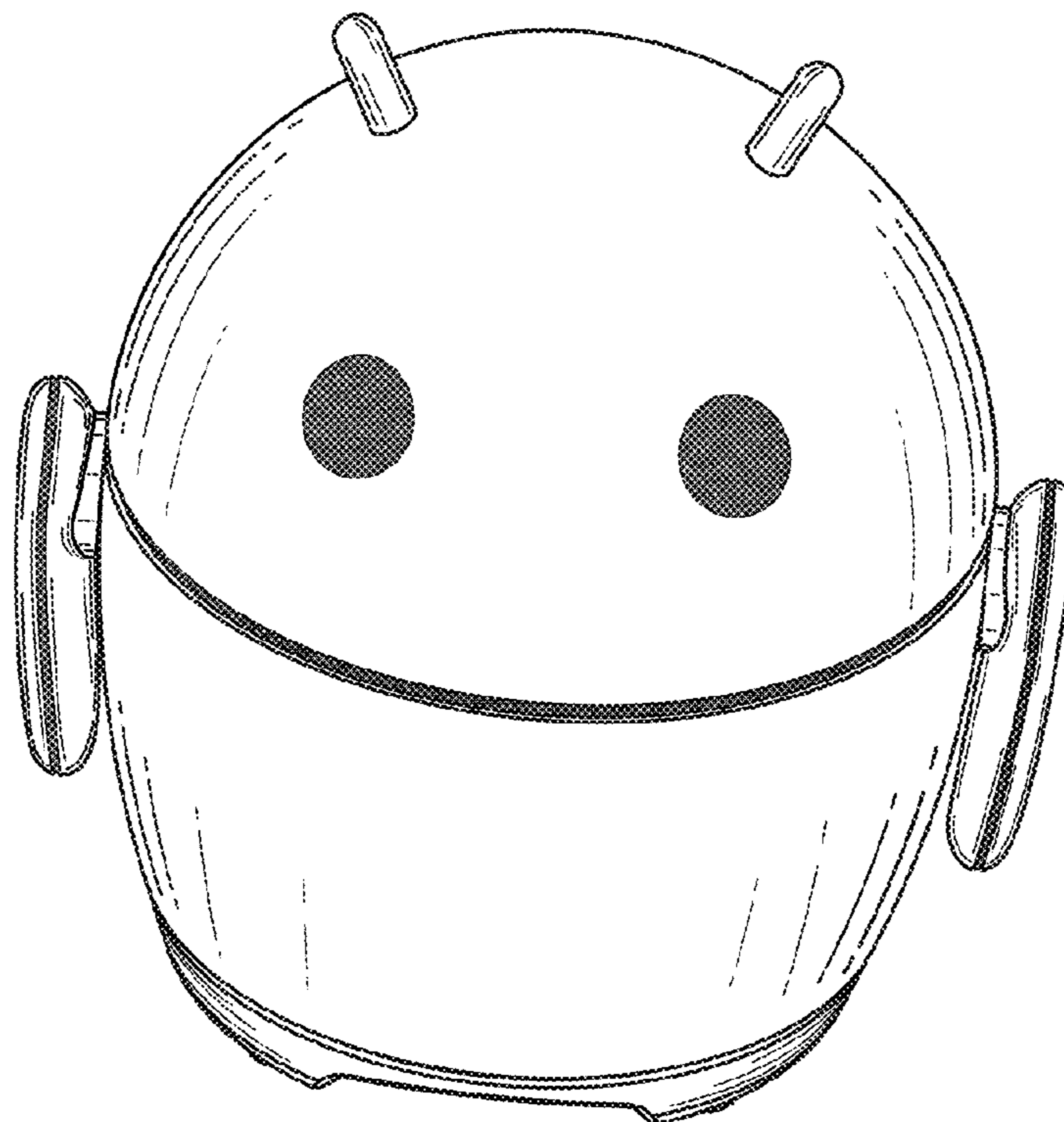
(57) **CLAIM**
I claim the ornamental design for a portable speaker system, as shown and described.

DESCRIPTION

FIG. 1 is a perspective view of a portable speaker system, showing the new design;
 FIG. 2 is a perspective view thereof, illustrated with a retractable cable in an extended position.
 FIG. 3 is a front elevational view thereof;
 FIG. 4 is a rear elevational view thereof;
 FIG. 5 is a left-side elevational view thereof;
 FIG. 6 is a right-side elevational view thereof;
 FIG. 7 is a top plan view thereof; and,
 FIG. 8 is a bottom plan view thereof.
 The broken lines showing a retractable cable in FIG. 2 depict environmental matter and form no part of the claimed design.

1 Claim, 4 Drawing Sheets

- (56) **References Cited**
U.S. PATENT DOCUMENTS
D223,028 S * 2/1972 Sperrazza D14/207
4,872,854 A * 10/1989 Hesu 439/577
5,444,194 A * 8/1995 Reinke 181/150
D482,020 S * 11/2003 Olson et al. D14/216



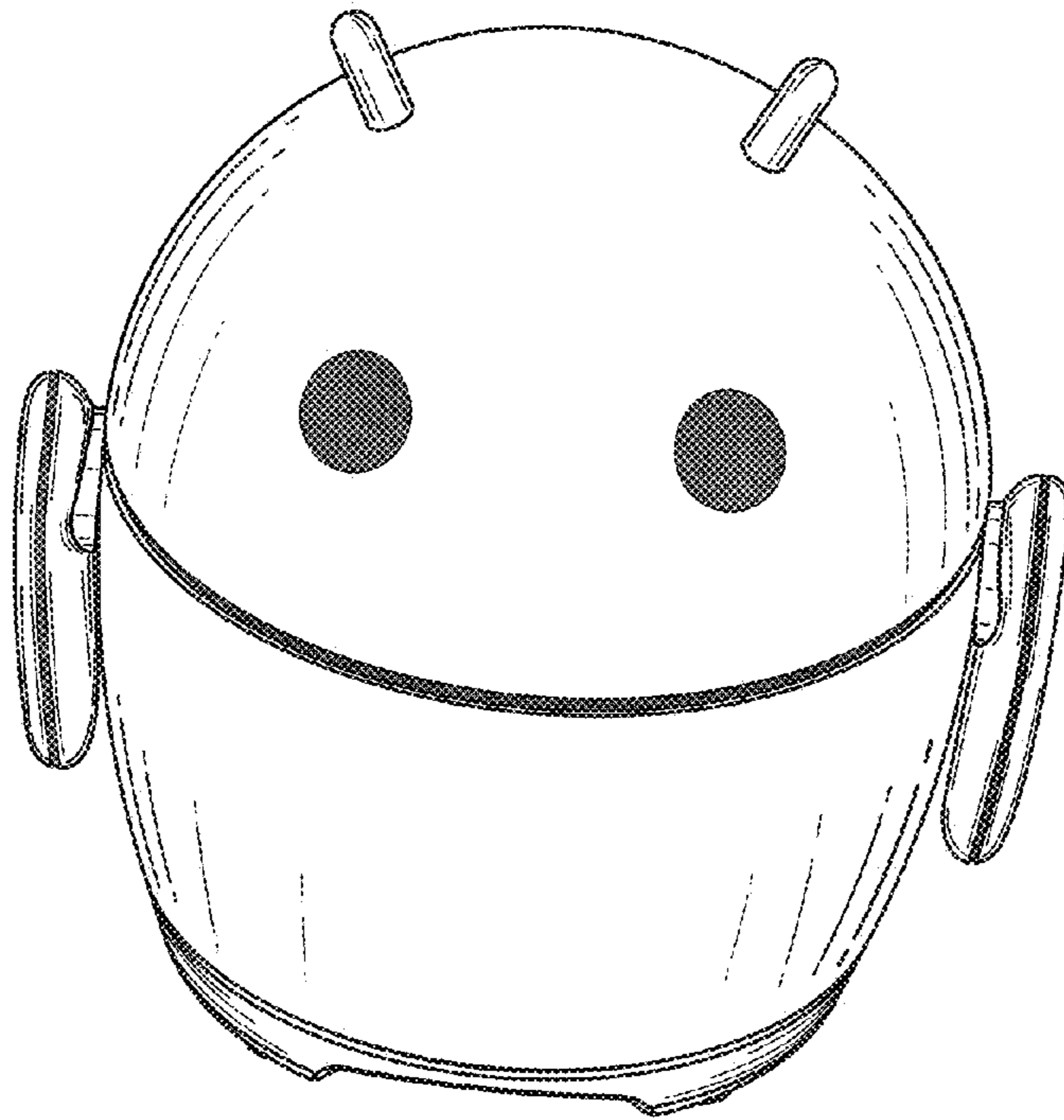


FIG. 1

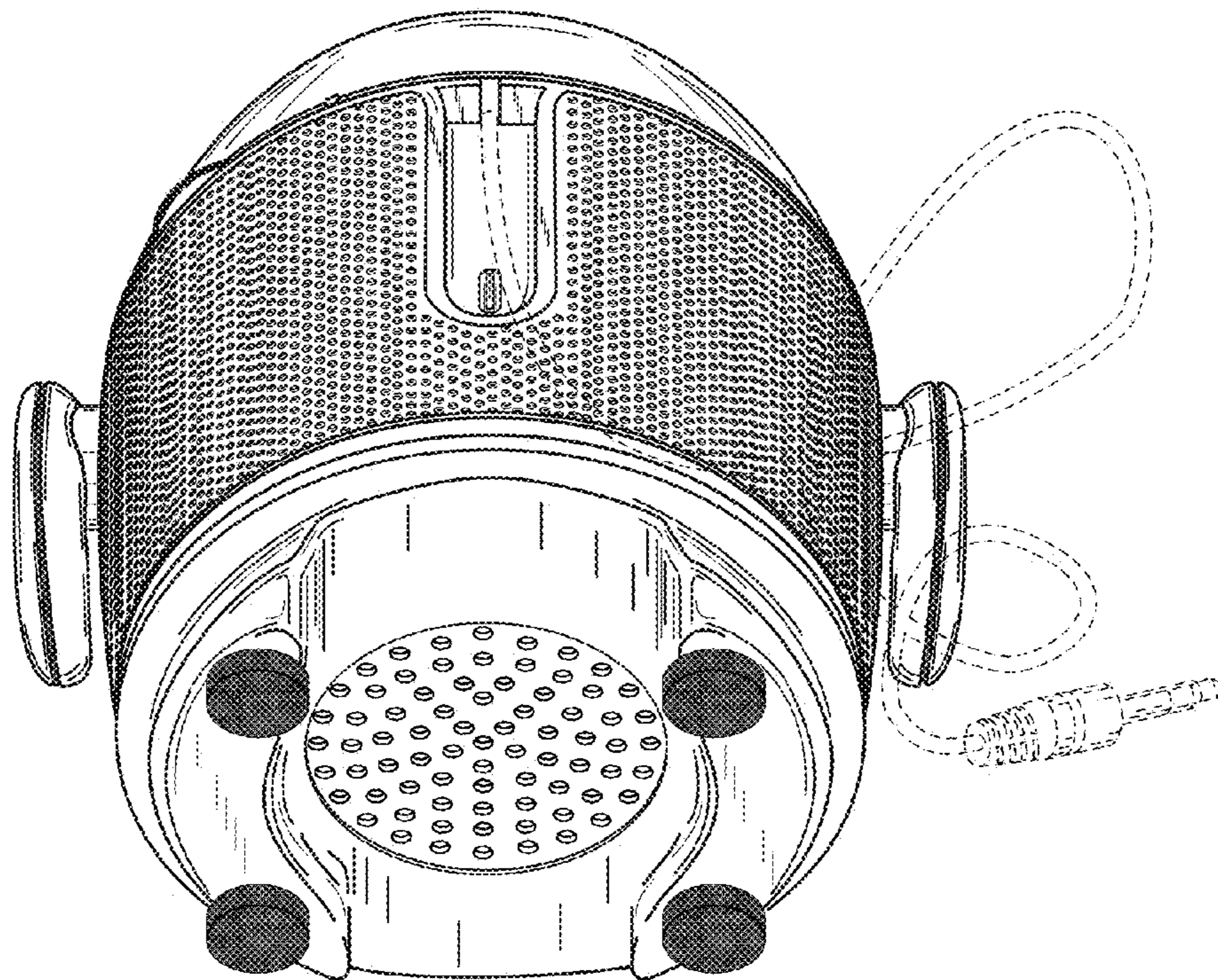


FIG. 2

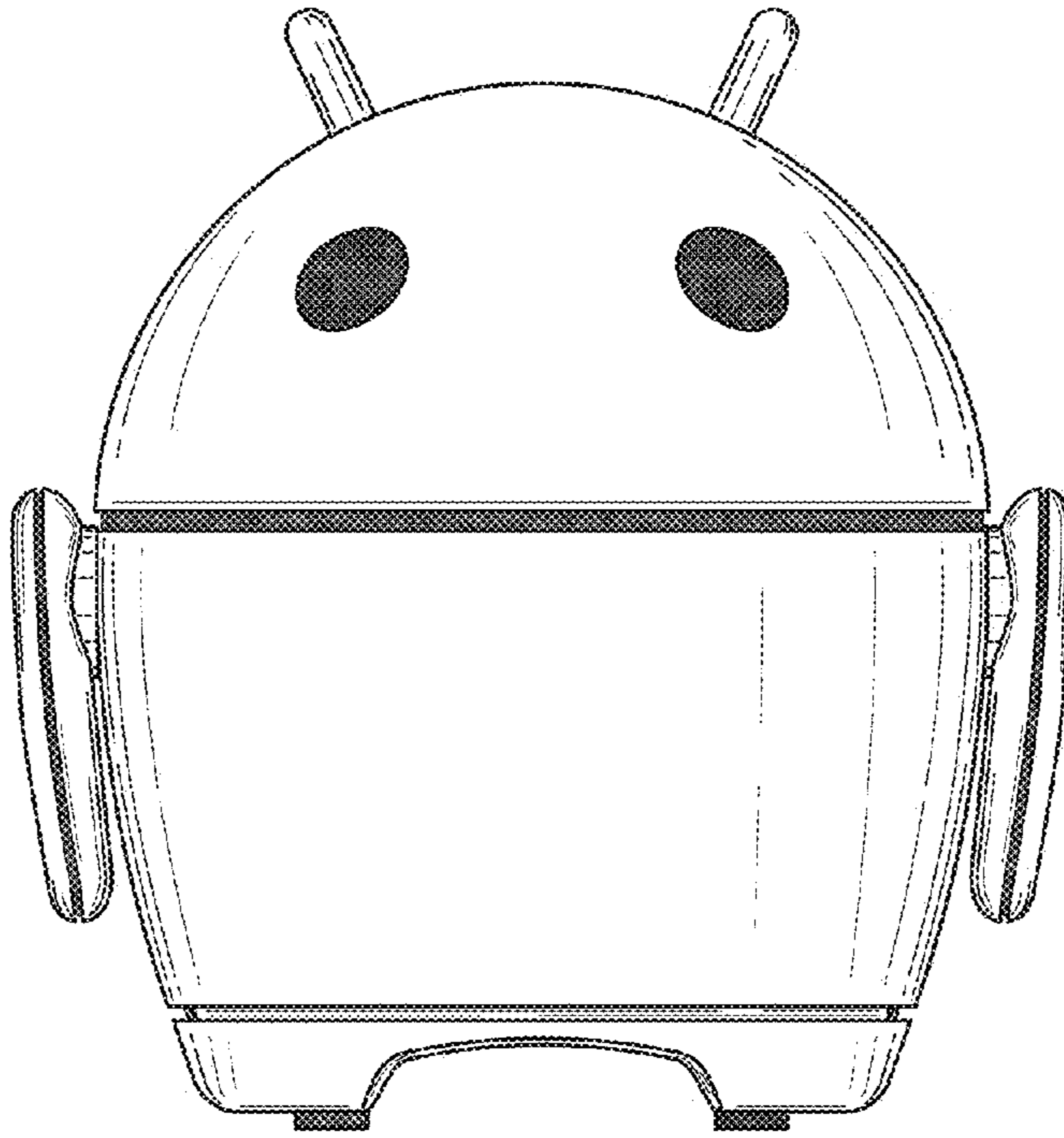


FIG. 3

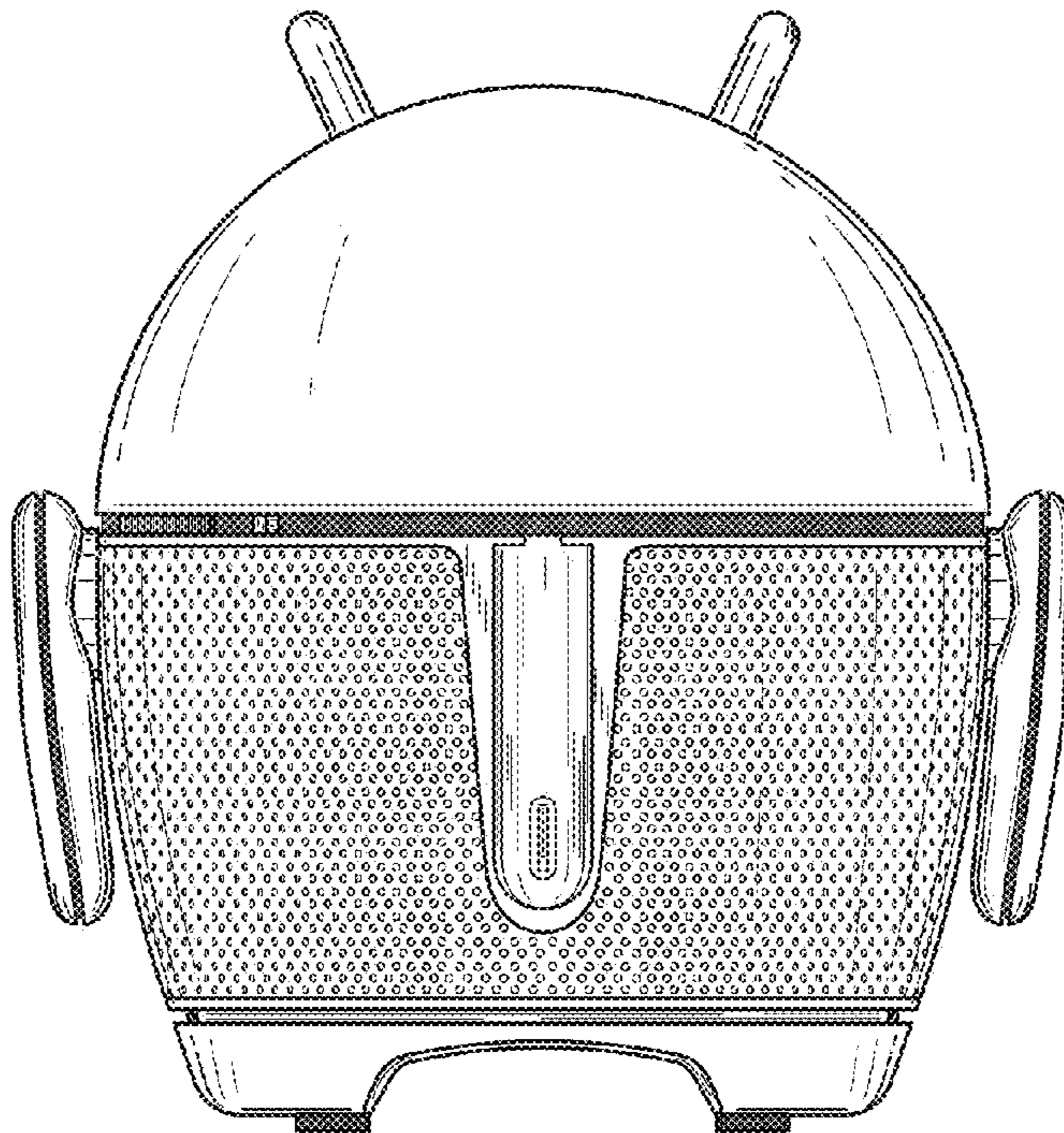


FIG. 4

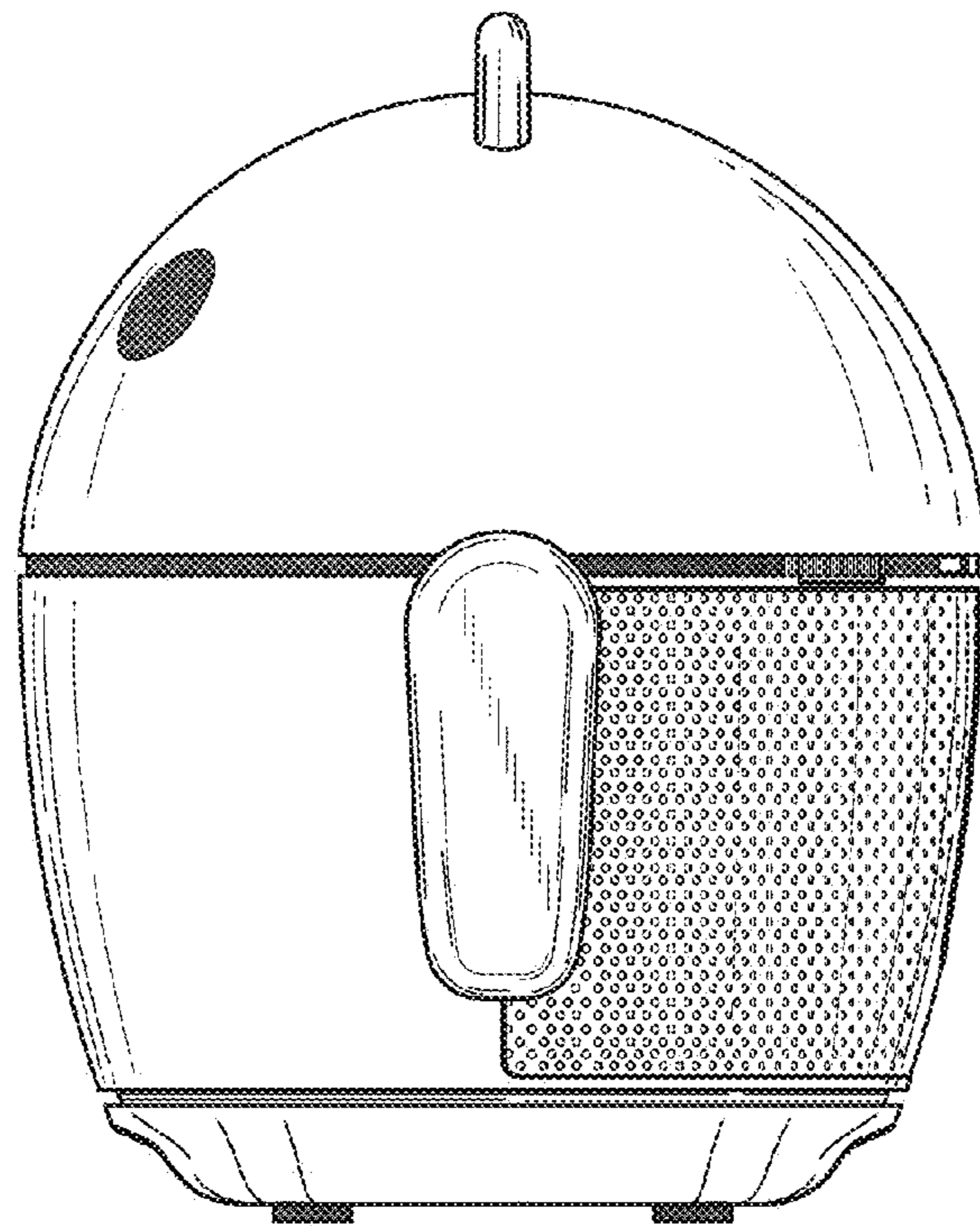


FIG. 5

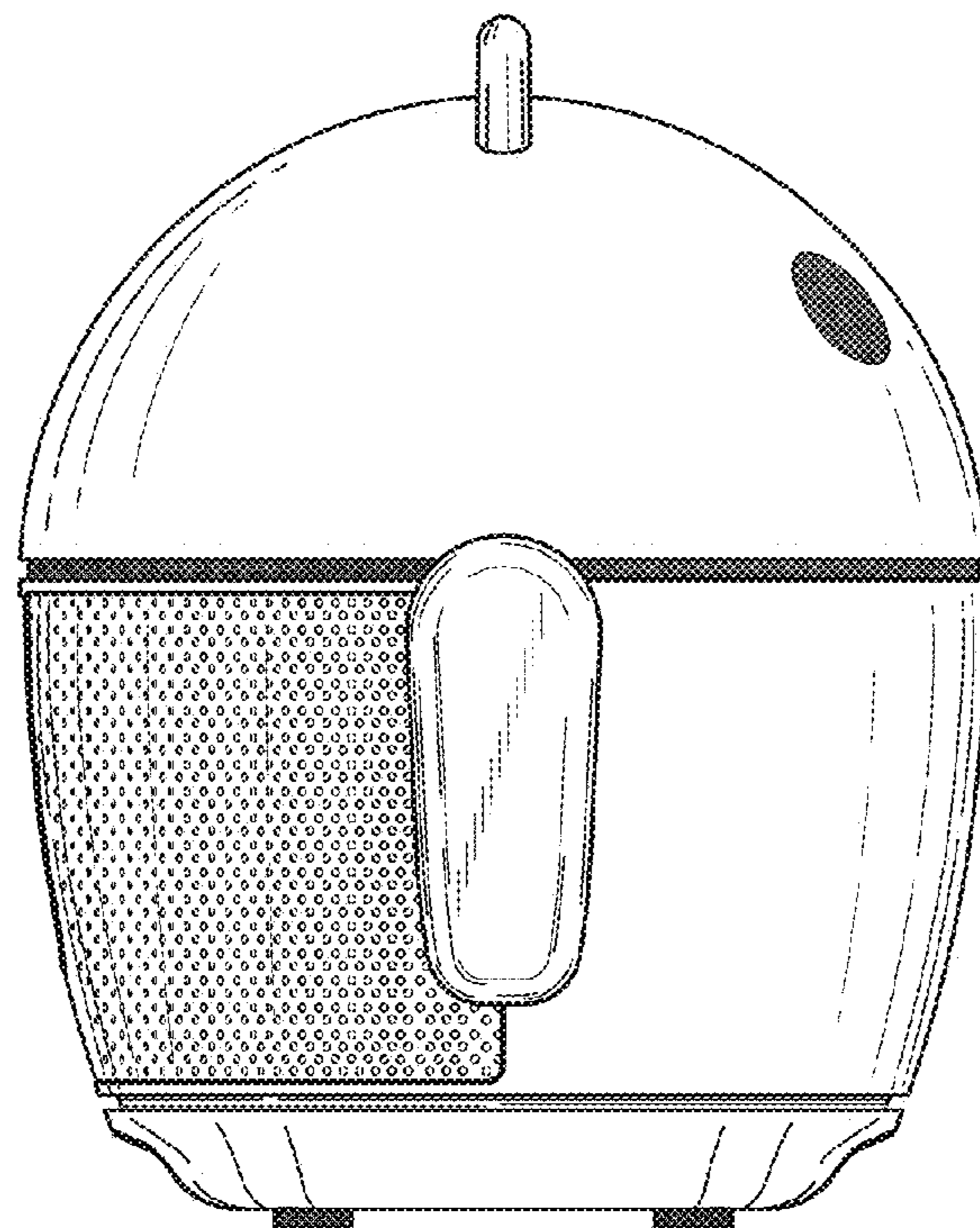


FIG. 6

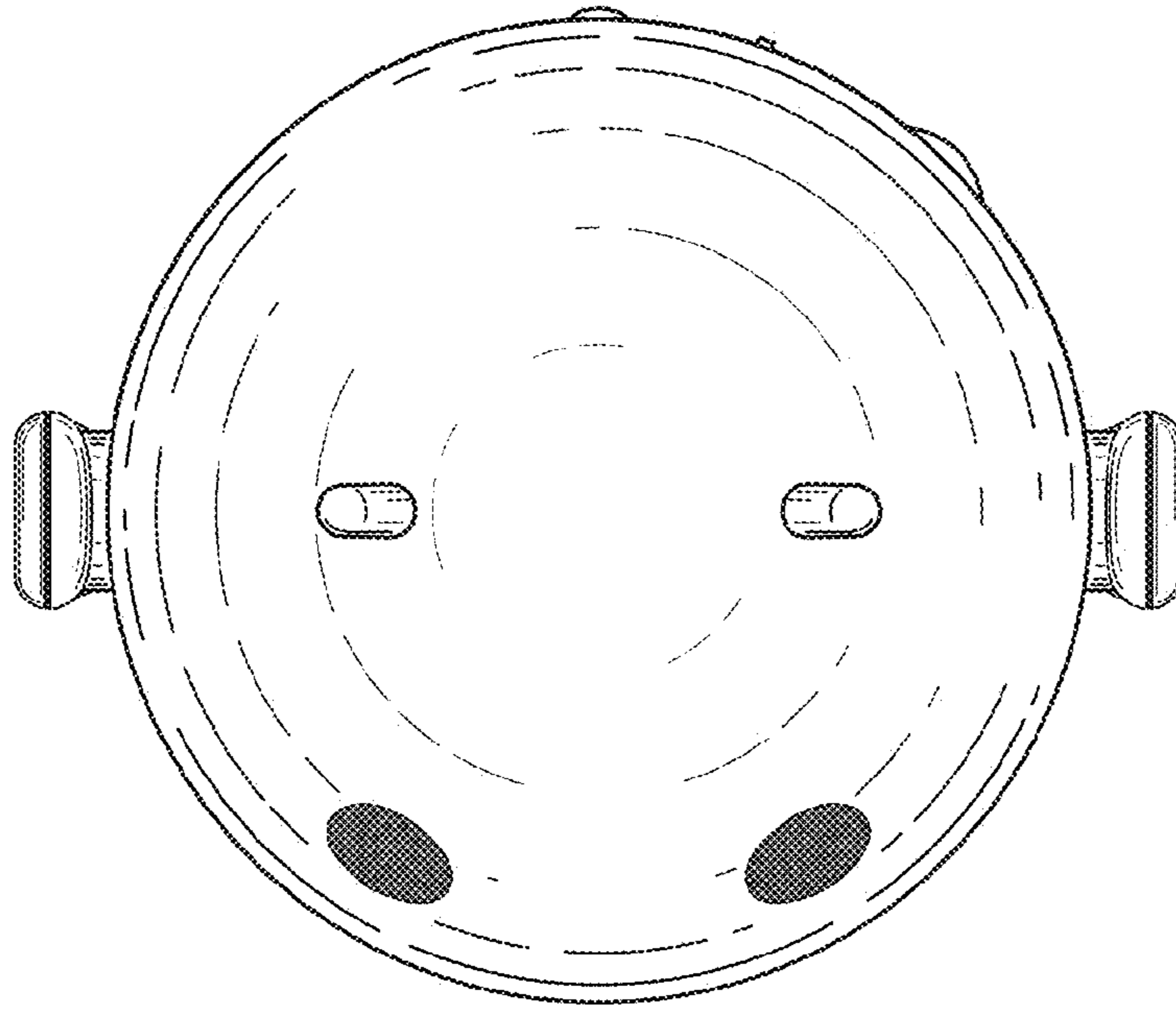


FIG. 7

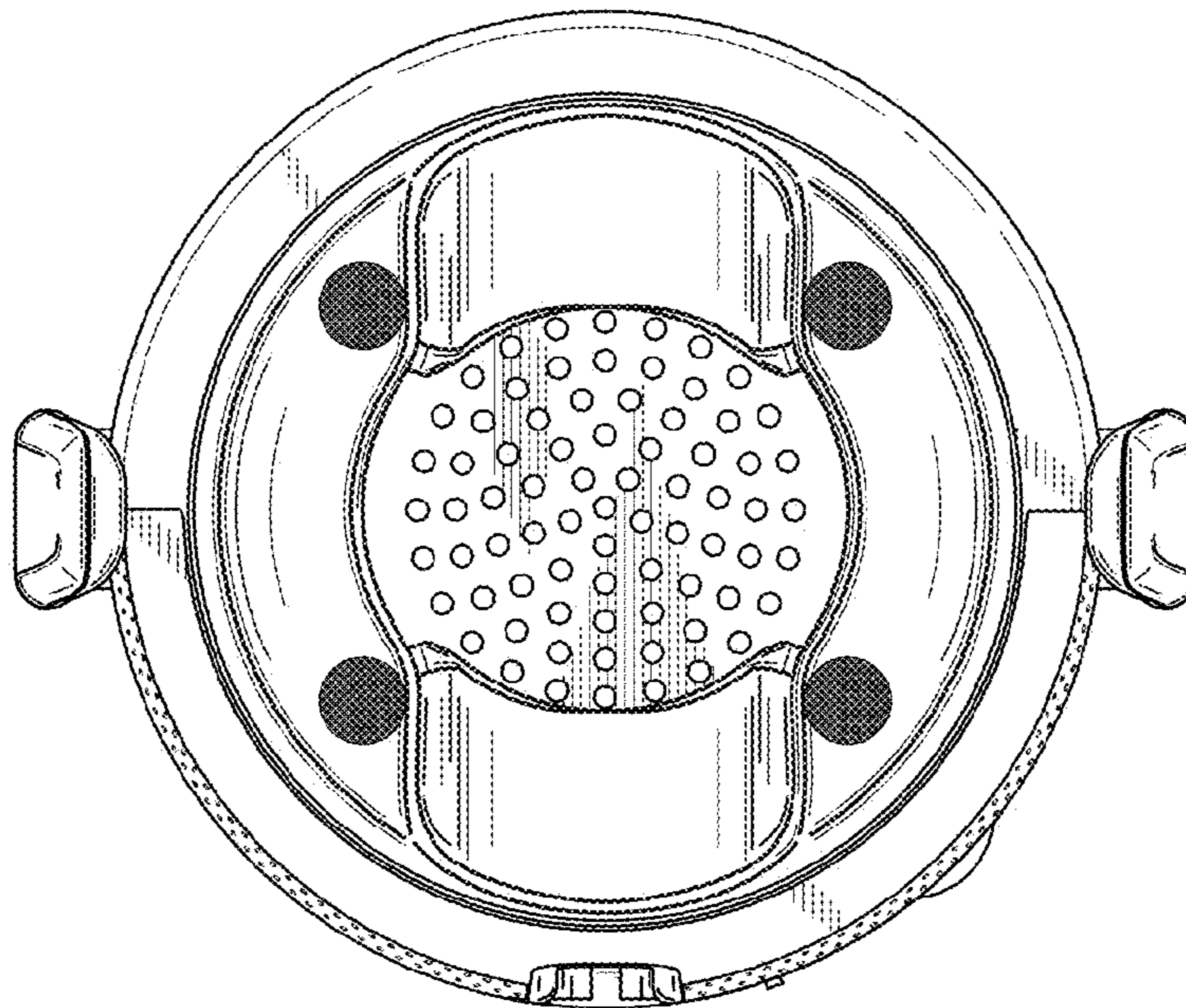


FIG. 8