



US00D690283S

(12) **United States Design Patent**  
**Lee et al.**

(10) **Patent No.:** **US D690,283 S**

(45) **Date of Patent:** **\*\* \*Sep. 24, 2013**

(54) **HEADPHONES**

(75) Inventors: **Noel Lee**, Las Vegas, NV (US);  
**Kendrew Lee**, Tsing Yi (HK); **Siu Fong Yiu**, Kowloon (HK)

(73) Assignee: **Monster, LLC**, Las Vegas, NV (US)

(\*) Notice: This patent is subject to a terminal disclaimer.

(\*\*) Term: **14 Years**

(21) Appl. No.: **29/416,172**

(22) Filed: **Mar. 19, 2012**

(51) **LOC (9) Cl.** ..... **14-01**

(52) **U.S. Cl.**  
USPC ..... **D14/205**

(58) **Field of Classification Search**  
USPC ..... D14/205, 206, 223; 181/129, 130,  
181/135, 129.13; 379/430, 431; 381/380,  
381/381, 371, 370; D29/112; 2/209; 455/90.3,  
455/575.1  
See application file for complete search history.

(56) **References Cited**

**U.S. PATENT DOCUMENTS**

3,863,028	A *	1/1975	Fixler	.....	381/19
D244,301	S *	5/1977	Besasio	.....	D14/223
4,821,318	A *	4/1989	Wu	.....	379/430
D313,092	S *	12/1990	Nilsson	.....	D29/112
D333,137	S *	2/1993	Burke	.....	D14/206
6,449,806	B1 *	9/2002	Engelhard et al.	.....	24/3.1
6,654,966	B2 *	12/2003	Rolla	.....	2/209
D538,261	S *	3/2007	Taylor et al.	.....	D14/205
D552,077	S *	10/2007	Brunner et al.	.....	D14/205
D573,581	S *	7/2008	Gondo et al.	.....	D14/205
D576,604	S *	9/2008	Suzuki	.....	D14/205
D579,000	S *	10/2008	Rath	.....	D14/205
D589,492	S *	3/2009	Mistry	.....	D14/205
D594,441	S	6/2009	Lee et al.		
D598,901	S	8/2009	Lee et al.		
D599,781	S	9/2009	Lee et al.		

D600,675	S	9/2009	Lee et al.		
D625,705	S *	10/2010	Ohuri et al.	.....	D14/205
D637,182	S	5/2011	Lee et al.		
D638,397	S *	5/2011	McManigal	.....	D14/205
D639,776	S *	6/2011	Arimoto	.....	D14/205
D641,003	S *	7/2011	Alden	.....	D14/205
D641,008	S	7/2011	Lee et al.		
D642,163	S	7/2011	Lee et al.		
D643,418	S	7/2011	Lee et al.		
D643,417	S	8/2011	Lee et al.		
D643,833	S	8/2011	Lee et al.		
D649,528	S *	11/2011	Park	.....	D14/205
D651,586	S *	1/2012	Lee et al.	.....	D14/205
D652,406	S *	1/2012	Lee et al.	.....	D14/205
D656,480	S *	3/2012	McManigal et al.	.....	D14/205
D657,344	S *	4/2012	Brunner et al.	.....	D14/205
D657,346	S *	4/2012	Park	.....	D14/205
D658,158	S *	4/2012	Suzuki	.....	D14/205
8,213,662	B2 *	7/2012	Ishida	.....	381/371
D666,992	S *	9/2012	Lee et al.	.....	D14/205
D673,518	S *	1/2013	Tan	.....	D14/205
D678,859	S *	3/2013	Lee	.....	D14/205

\* cited by examiner

*Primary Examiner* — Paula Greene

(74) *Attorney, Agent, or Firm* — LaRiviere, Grubman & Payne, LLP

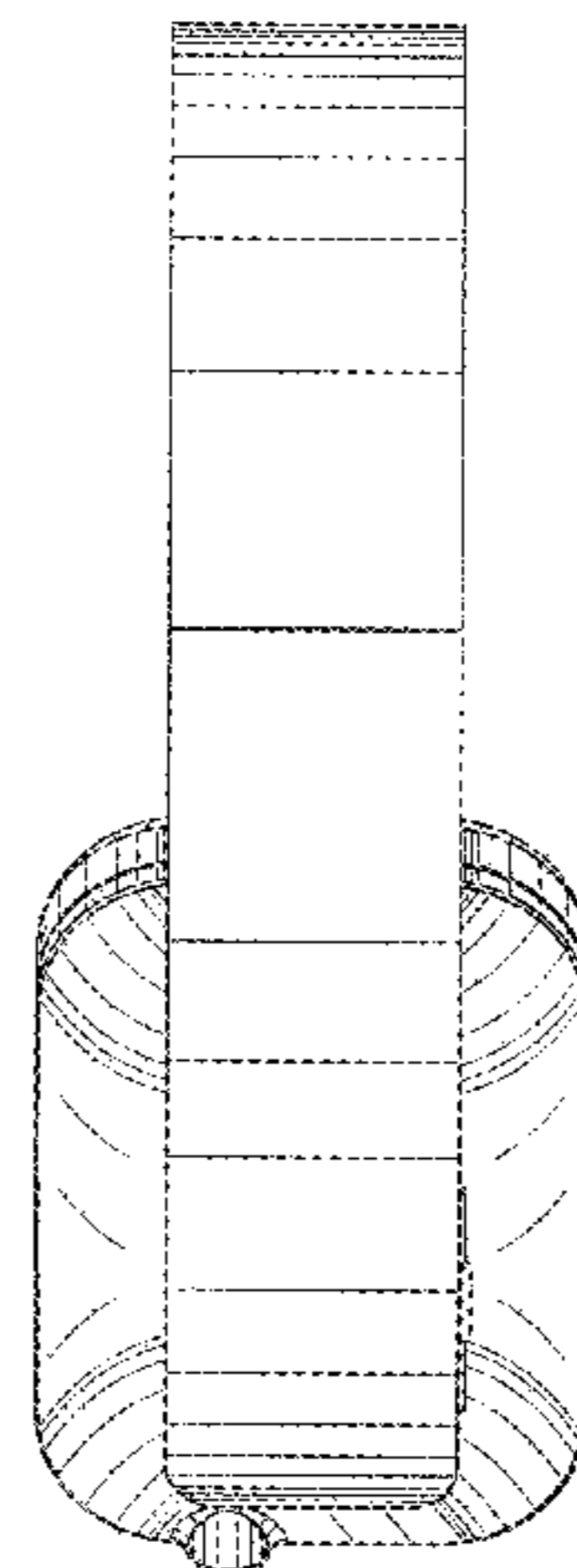
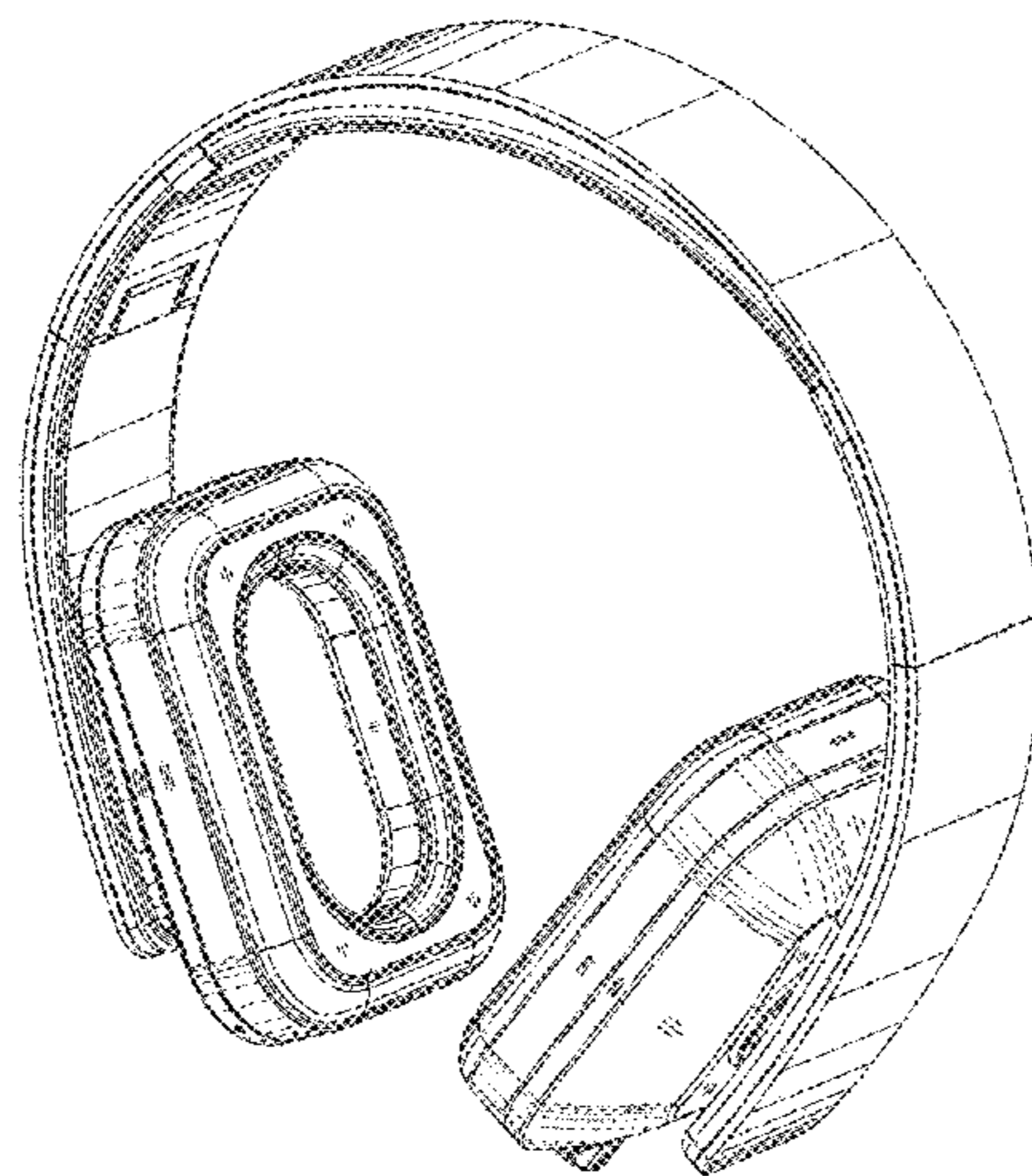
(57) **CLAIM**

The ornamental design for headphones, as shown and described.

**DESCRIPTION**

FIG. 1 is a perspective view of headphones showing our new design, the opposite ear cushion is a mirror image;  
FIG. 2 is front view thereof;  
FIG. 3 is a rear view thereof;  
FIG. 4 is a side view thereof;  
FIG. 5 is an opposing side view thereof;  
FIG. 6 is a top view thereof; and,  
FIG. 7 is a bottom view thereof.  
The broken lines showing the environment are for illustrative purposes only and form no part of the claimed design.

**1 Claim, 5 Drawing Sheets**



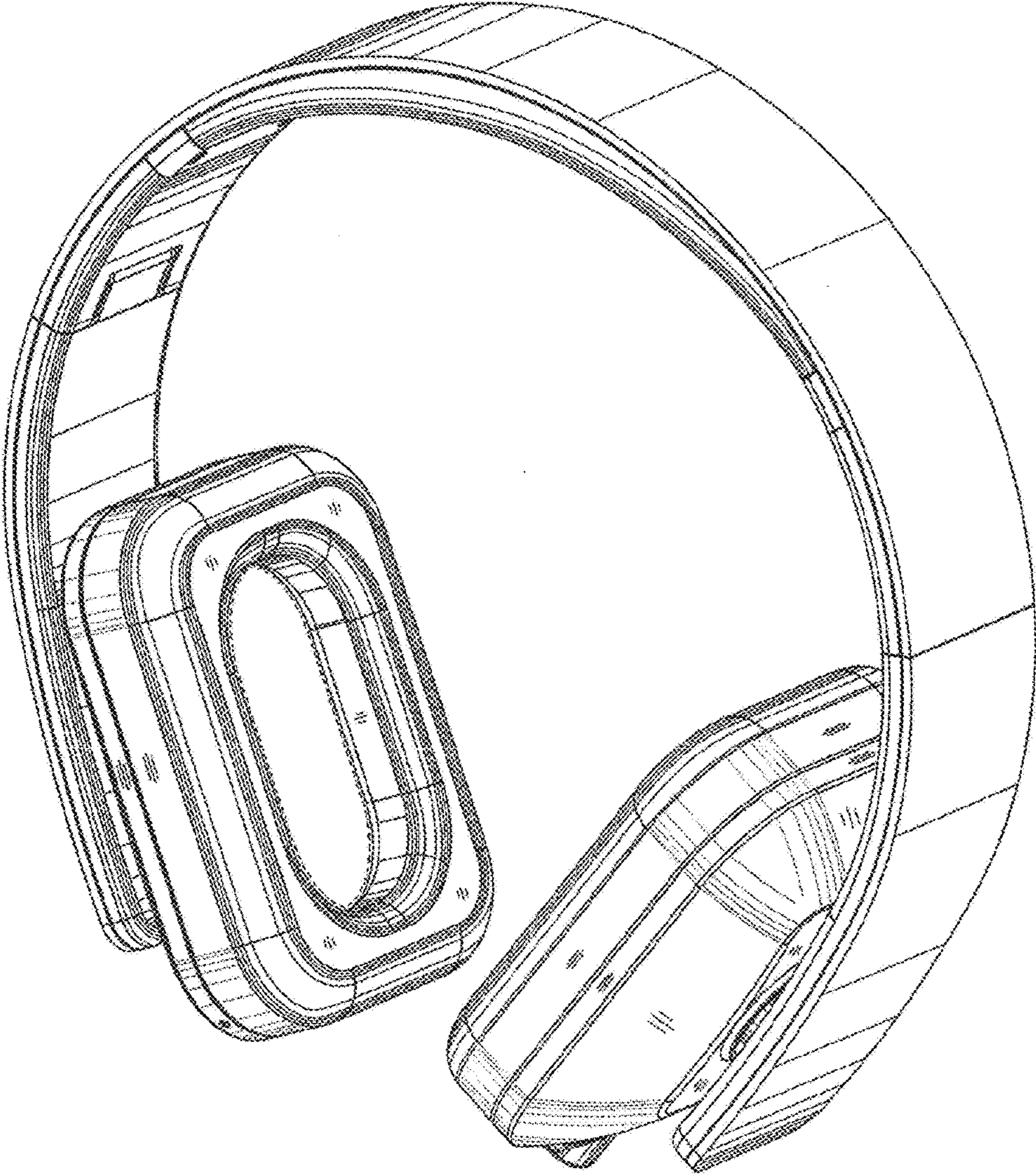


FIG. 1





FIG. 2



FIG. 3

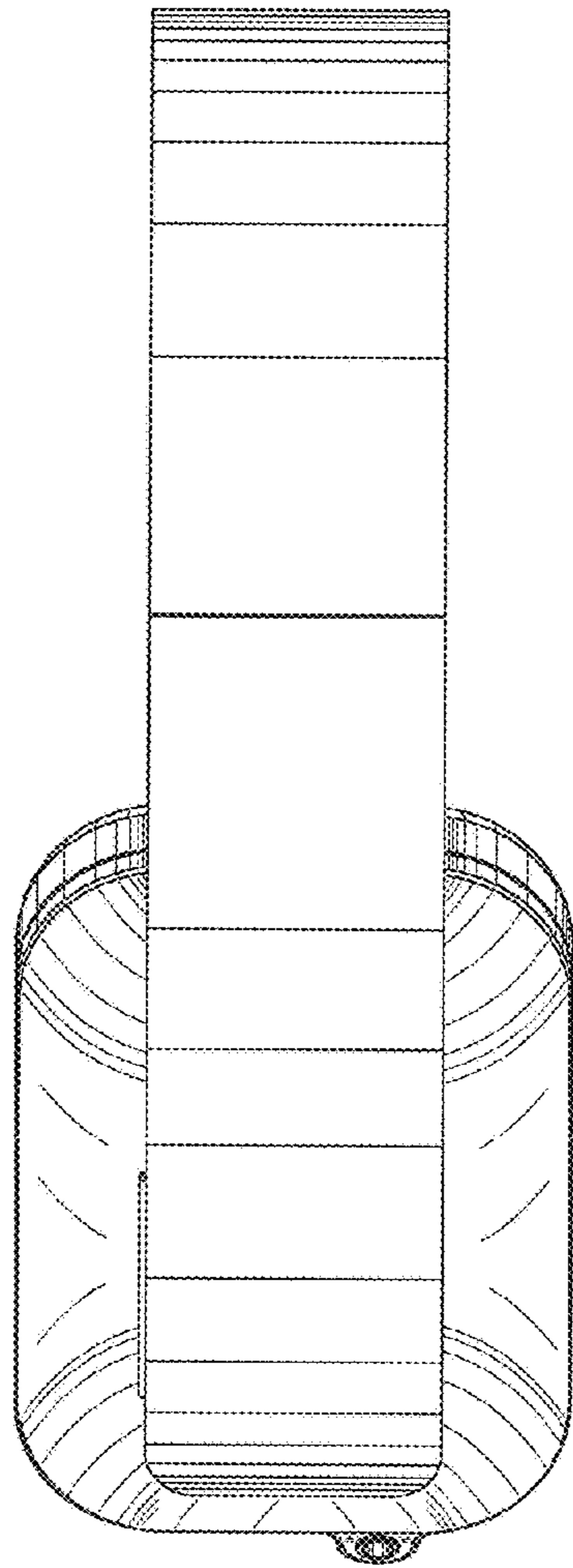


FIG. 4

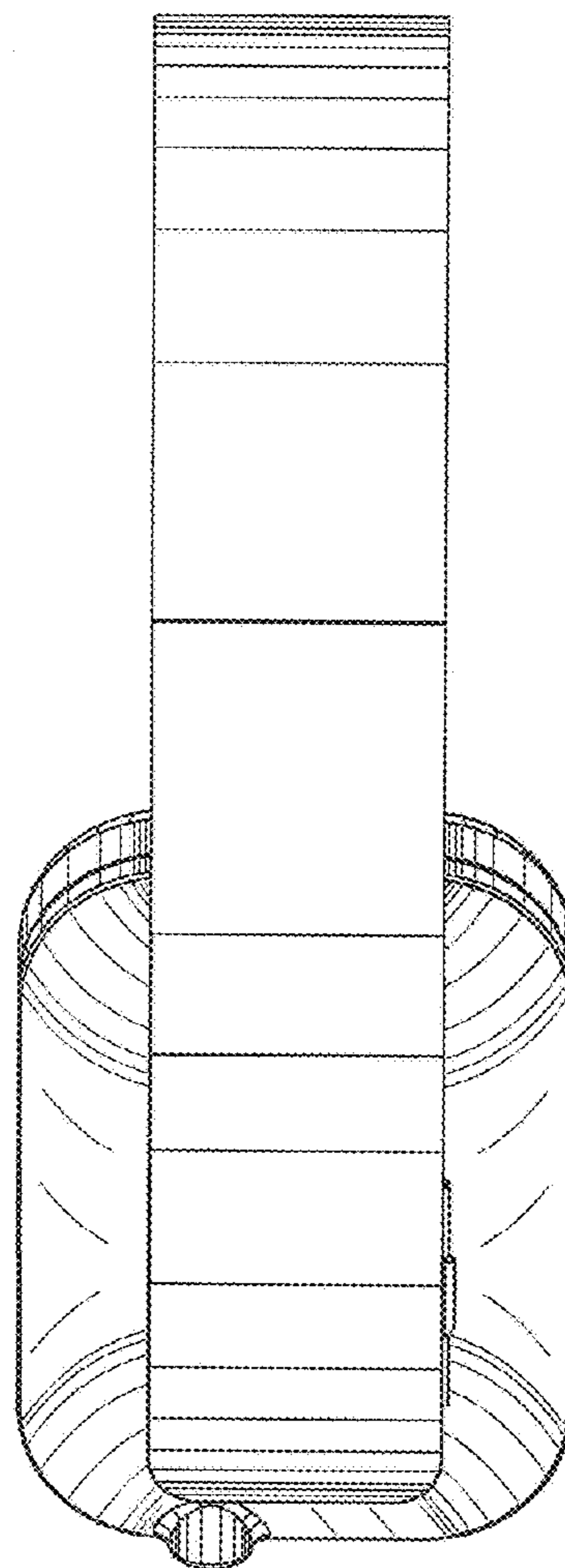


FIG. 5



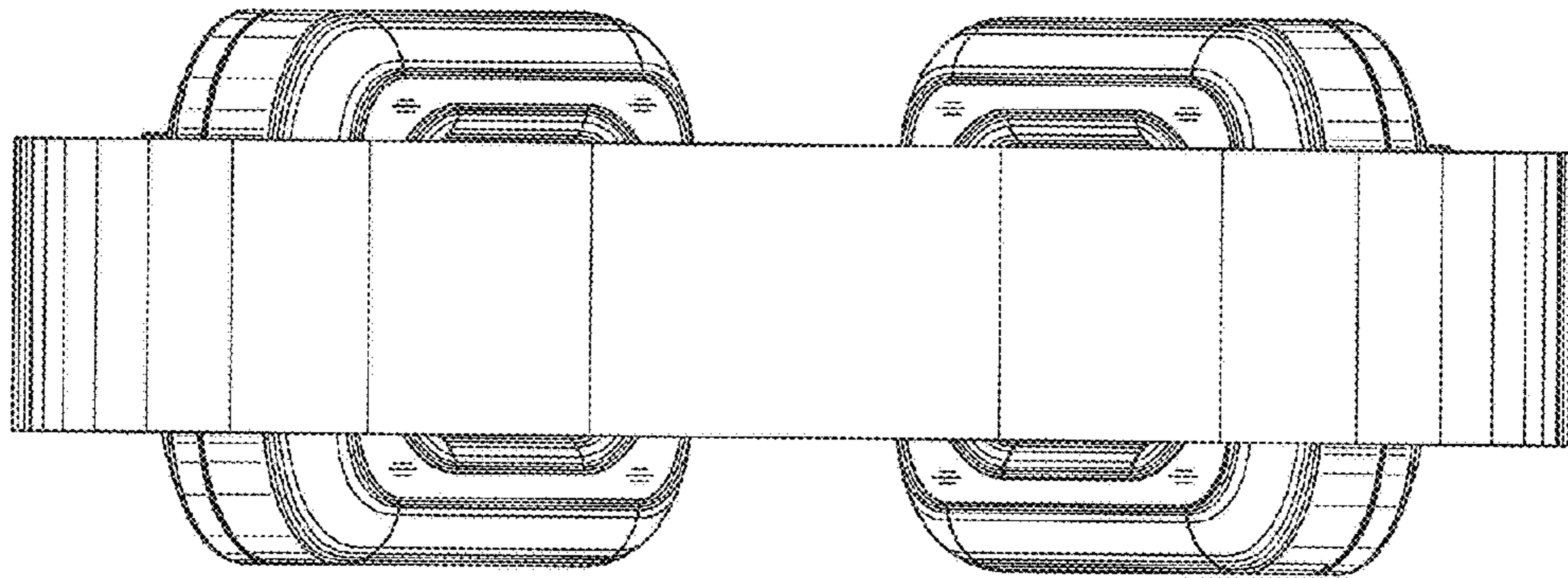


FIG. 6

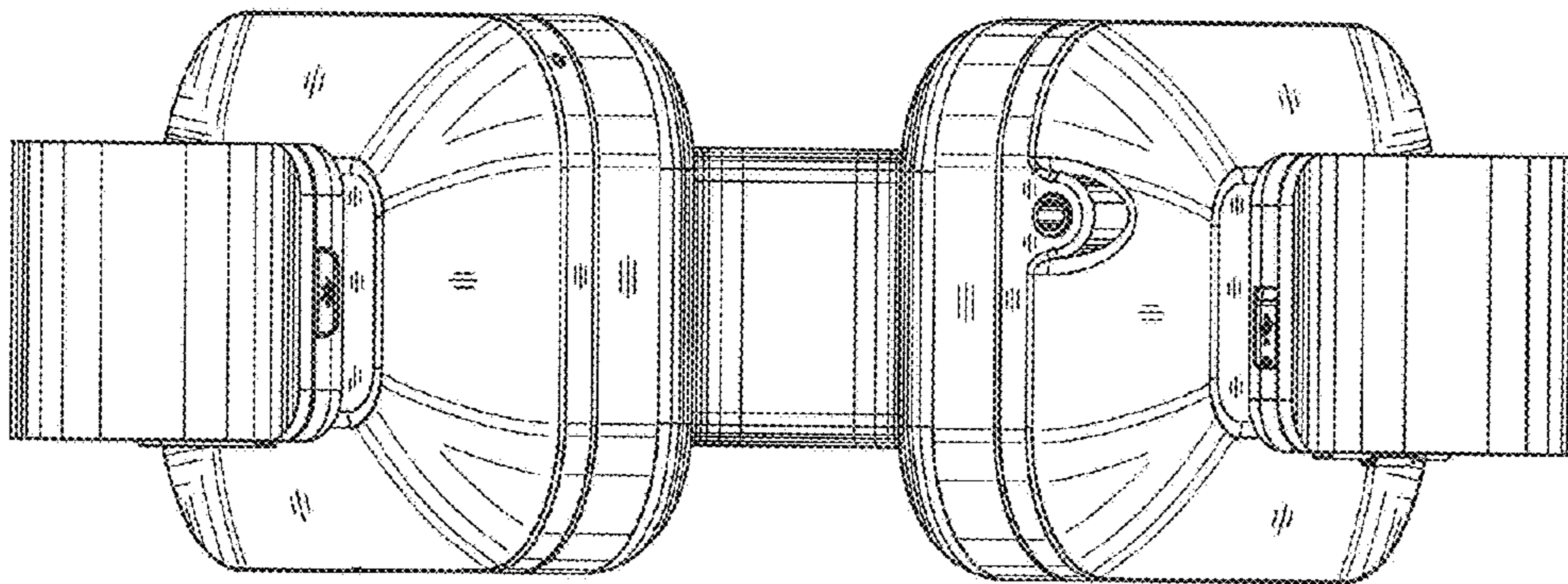


FIG. 7