



US00D690282S

(12) **United States Design Patent**  
**Lee et al.**

(10) **Patent No.:** **US D690,282 S**  
(45) **Date of Patent:** **\*\* \*Sep. 24, 2013**

(54) **HEADPHONES**

(75) Inventors: **Noel Lee**, Las Vegas, NV (US);  
**Kendrew Lee**, Hong Kong (HK)

(73) Assignee: **Monster Cable Products, Inc.**,  
Brisbane, CA (US)

(\*) Notice: This patent is subject to a terminal disclaimer.

(\*\*) Term: **14 Years**

(21) Appl. No.: **29/400,911**

(22) Filed: **Sep. 2, 2011**

(51) **LOC (9) Cl.** ..... **14-01**

(52) **U.S. Cl.**  
USPC ..... **D14/205**

(58) **Field of Classification Search**  
USPC ..... D14/205, 206; 181/129, 130, 135;  
379/430, 431; 381/380, 381, 374, 375, 376;  
455/90.3, 575.1  
See application file for complete search history.

(56) **References Cited**

**U.S. PATENT DOCUMENTS**

D228,352 S *	9/1973	Itagaki	.....	D14/205
D292,205 S *	10/1987	Kikutani	.....	D14/205
D345,361 S *	3/1994	Grasso	.....	D14/205
D379,817 S *	6/1997	Lin	.....	D14/223
D405,449 S *	2/1999	Nakamura et al.	.....	D14/205
D468,723 S *	1/2003	Pham et al.	.....	D14/205
D476,639 S *	7/2003	Bergeron et al.	.....	D14/205
6,629,579 B1 *	10/2003	Hasegawa	.....	181/129
7,072,483 B2 *	7/2006	Lenhard-Backhaus	.....	381/383
D552,077 S *	10/2007	Brunner et al.	.....	D14/205
D563,382 S *	3/2008	Wikel	.....	D14/205
D573,581 S *	7/2008	Gondo et al.	.....	D14/205
D594,441 S	6/2009	Lee et al.		
D598,901 S	8/2009	Lee et al.		
D599,781 S	9/2009	Lee et al.		
D600,675 S	9/2009	Lee et al.		

D643,417 S	7/2010	Lee et al.		
D643,418 S	7/2010	Lee et al.		
D625,705 S *	10/2010	Ohori et al.	.....	D14/205
D634,732 S *	3/2011	Kondo et al.	.....	D14/205
D637,182 S	5/2011	Lee et al.		
D641,008 S	7/2011	Lee et al.		
D642,163 S	7/2011	Lee et al.		
D643,833 S	8/2011	Lee et al.		
D657,344 S *	4/2012	Brunner et al.	.....	D14/205
D658,156 S *	4/2012	Olodort et al.	.....	D14/205
D660,823 S *	5/2012	Hardi et al.	.....	D14/205
D660,824 S *	5/2012	Hardi et al.	.....	D14/205

(Continued)

*Primary Examiner* — Paula Greene

(74) *Attorney, Agent, or Firm* — LaRiviere, Grubman & Payne, LLP

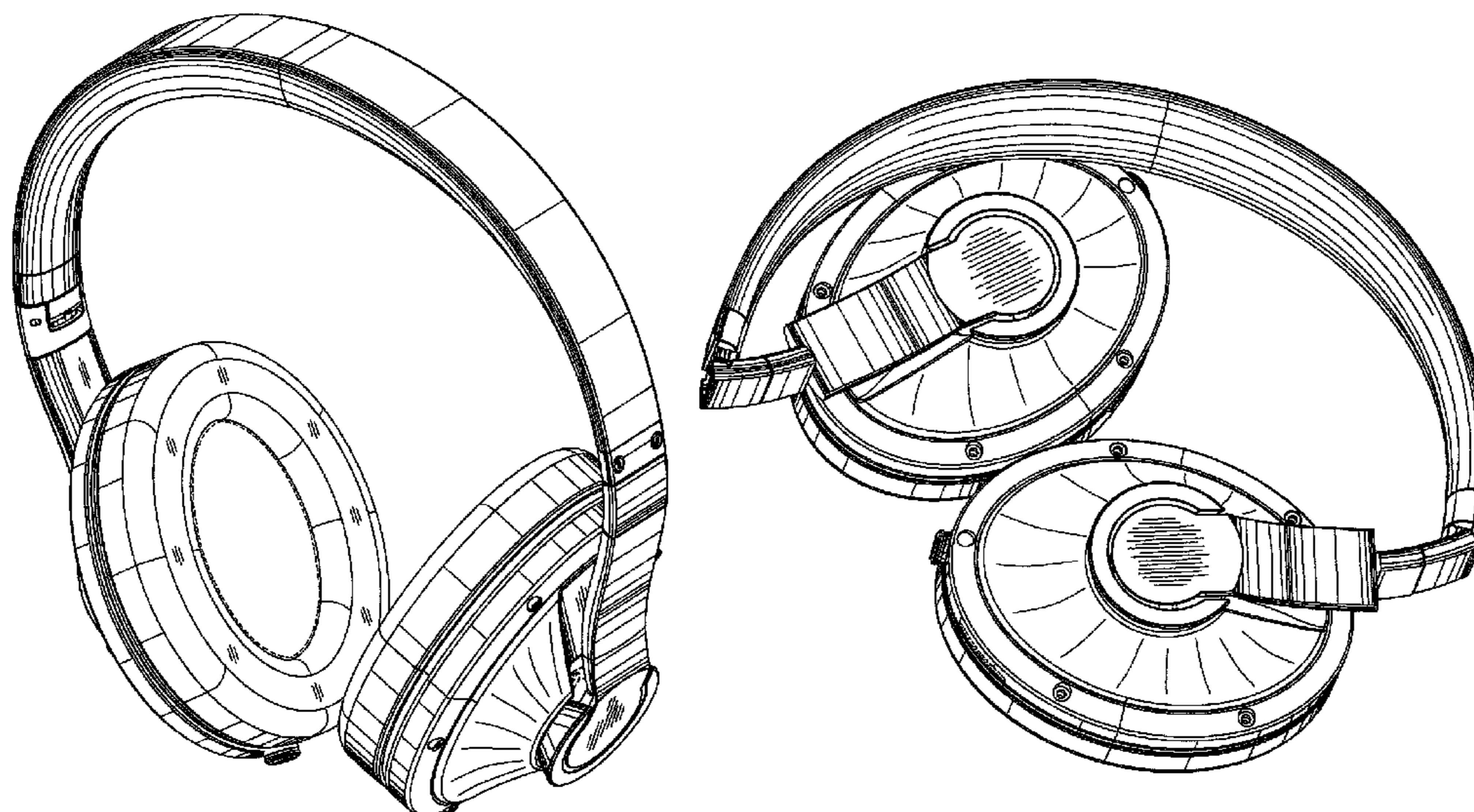
(57) **CLAIM**

The ornamental design for headphones, as shown and described.

**DESCRIPTION**

FIG. 1 is a perspective view of headphones, showing our design;  
 FIG. 2 is front view thereof;  
 FIG. 3 is a rear view thereof;  
 FIG. 4 is a side view thereof;  
 FIG. 5 is an opposing side view thereof;  
 FIG. 6 is a top view thereof;  
 FIG. 7 is a bottom view thereof;  
 FIG. 8 is a perspective view of headphones as shown in FIG. 1, in a folded condition, showing our design;  
 FIG. 9 is front view thereof;  
 FIG. 10 is a rear view thereof;  
 FIG. 11 is a side view thereof;  
 FIG. 12 is an opposing side view thereof;  
 FIG. 13 is a top view thereof; and,  
 FIG. 14 is a bottom view thereof.  
 The broken lines showing the environment are for illustrative purposes only and form no part of the claimed design.

**1 Claim, 10 Drawing Sheets**



# US D690,282 S

Page 2

---

(56)

## References Cited

### U.S. PATENT DOCUMENTS

D662,080 S \* 6/2012 Carr et al. .... D14/205  
D663,716 S \* 7/2012 Hardi et al. .... D14/205  
D673,136 S \* 12/2012 Kelly et al. .... D14/205

D673,518 S \* 1/2013 Tan ..... D14/205  
D673,520 S \* 1/2013 Tan ..... D14/205  
D675,595 S \* 2/2013 Cho et al. .... D14/205  
D677,647 S \* 3/2013 Lee et al. .... D14/205  
D678,241 S \* 3/2013 Lee et al. .... D14/205

\* cited by examiner

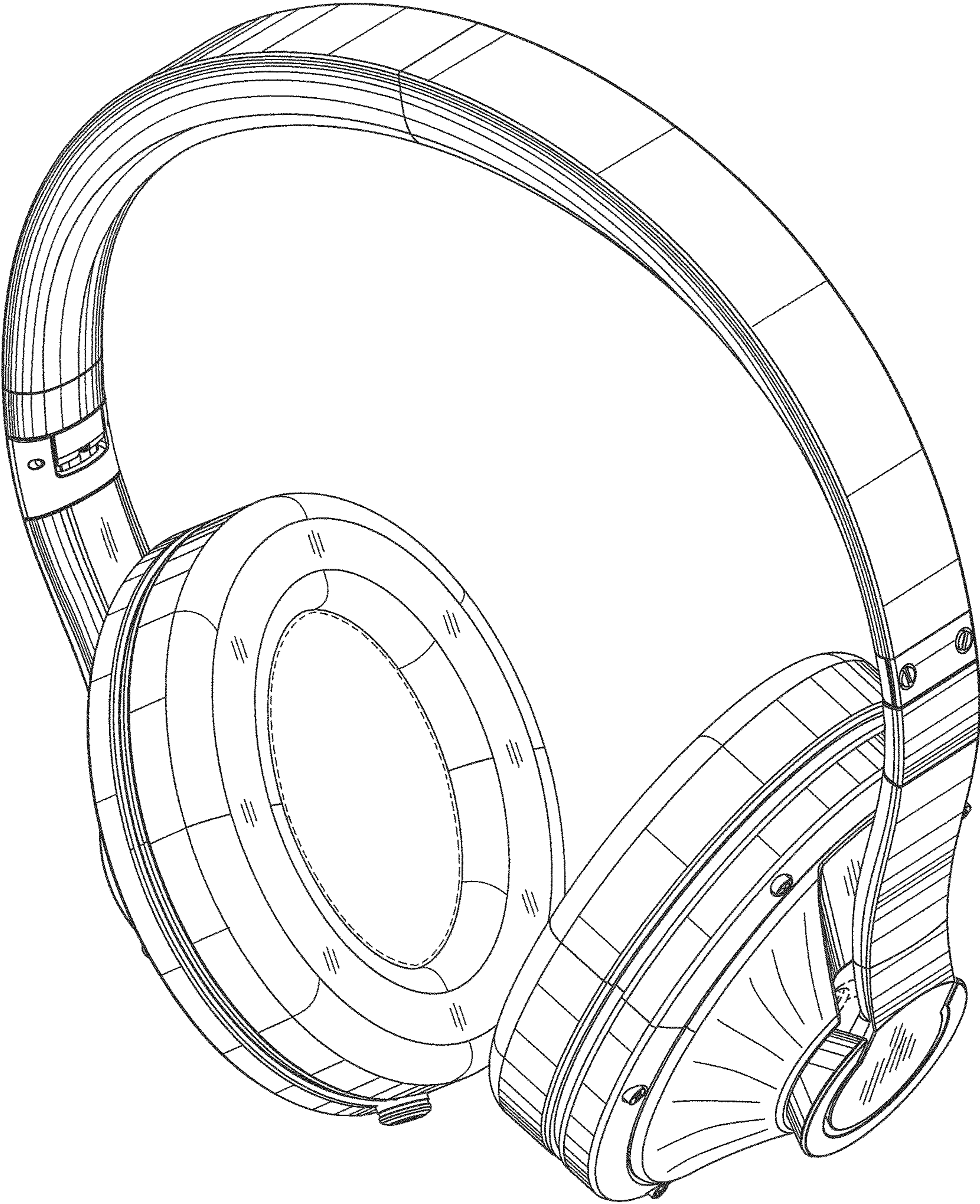


Figure 1



Figure 2

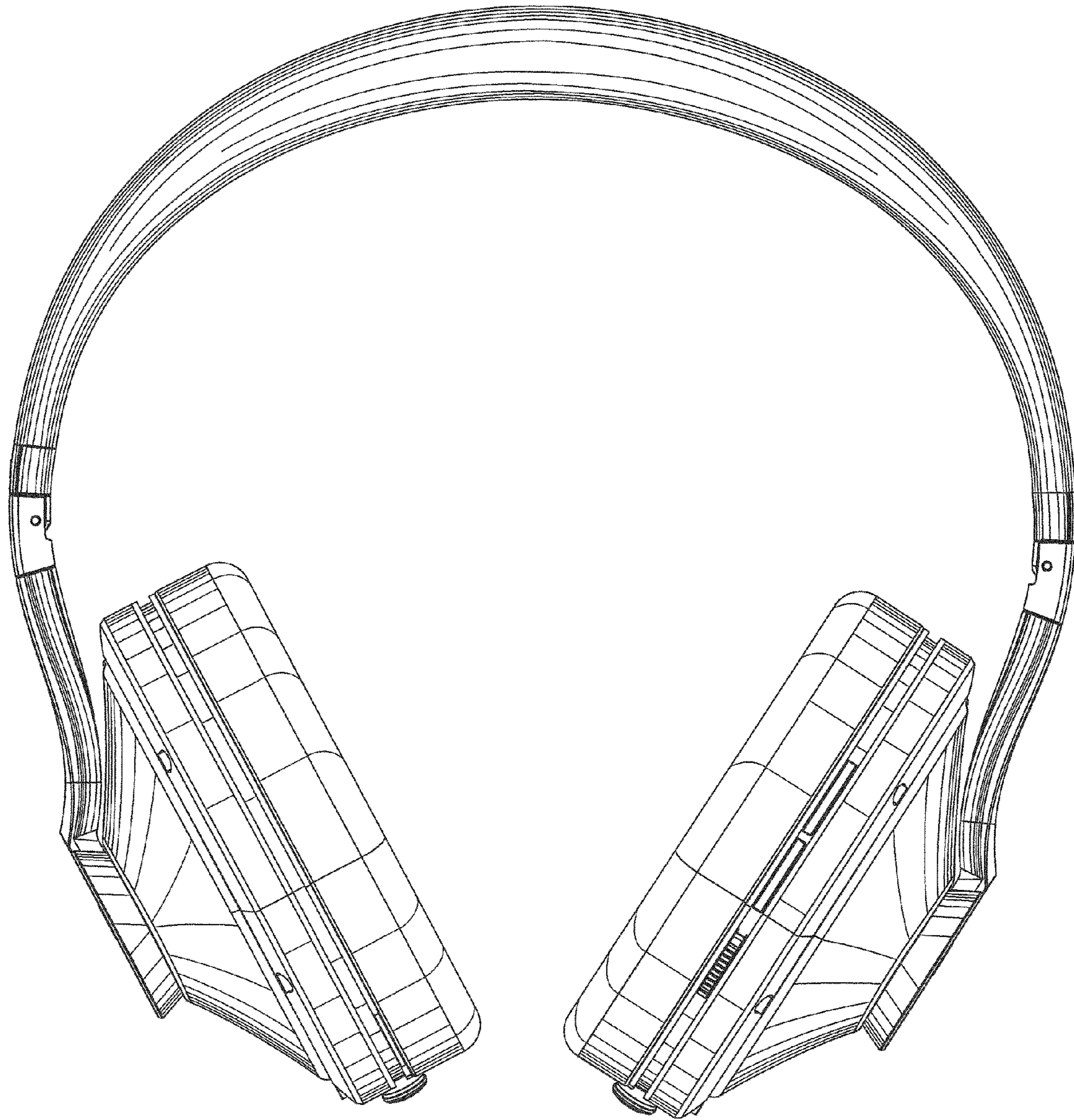


Figure 3

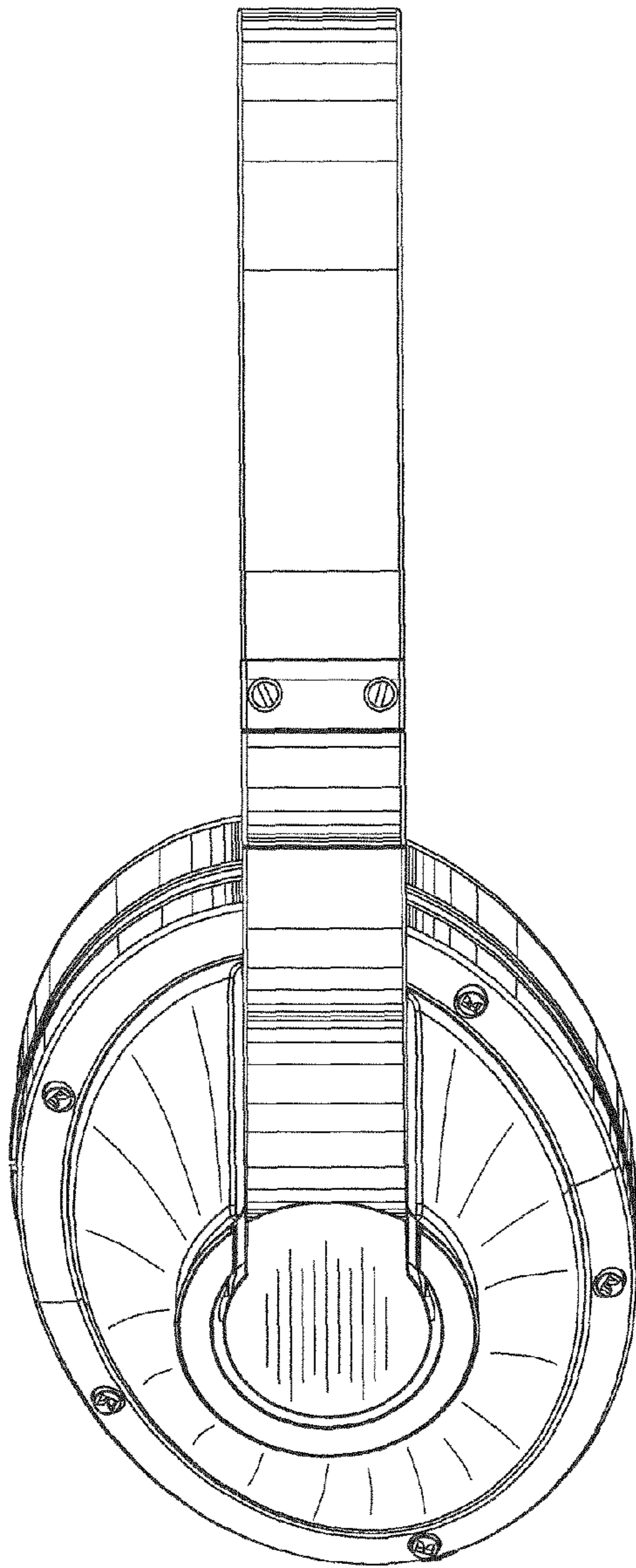


Figure 4

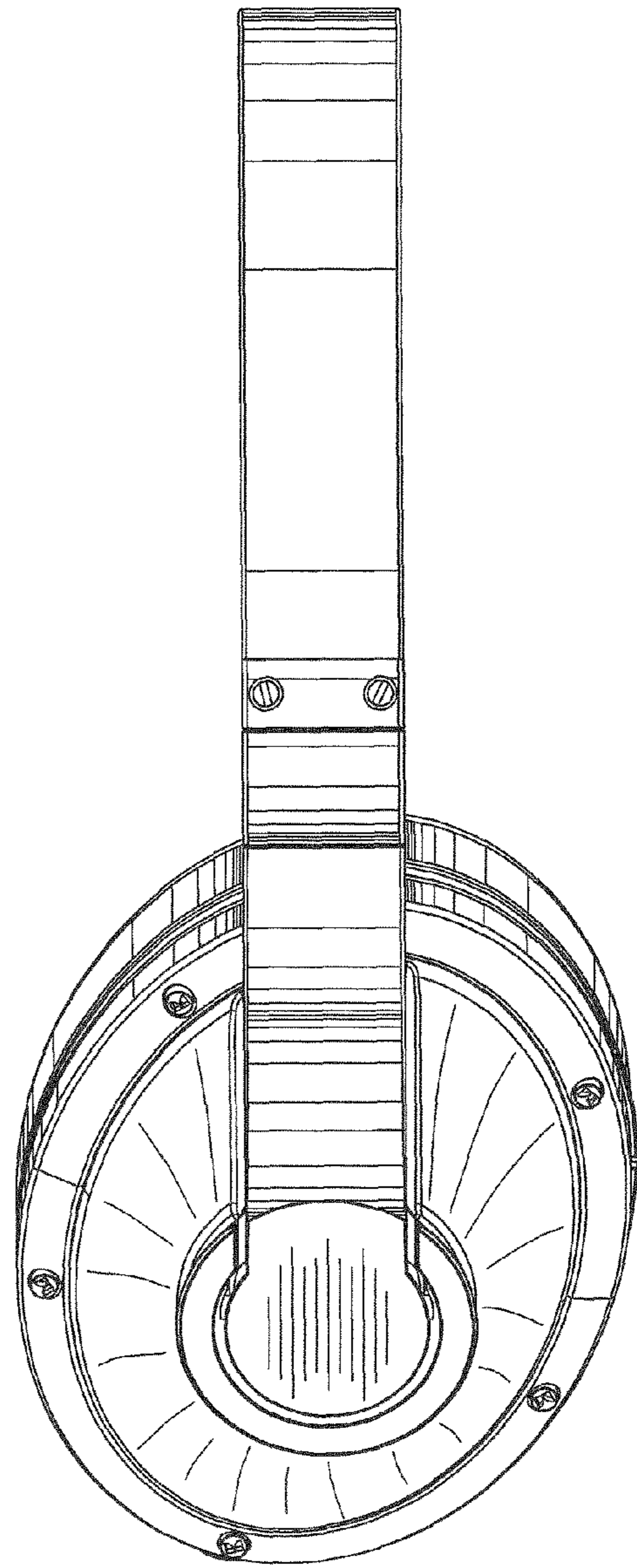


Figure 5

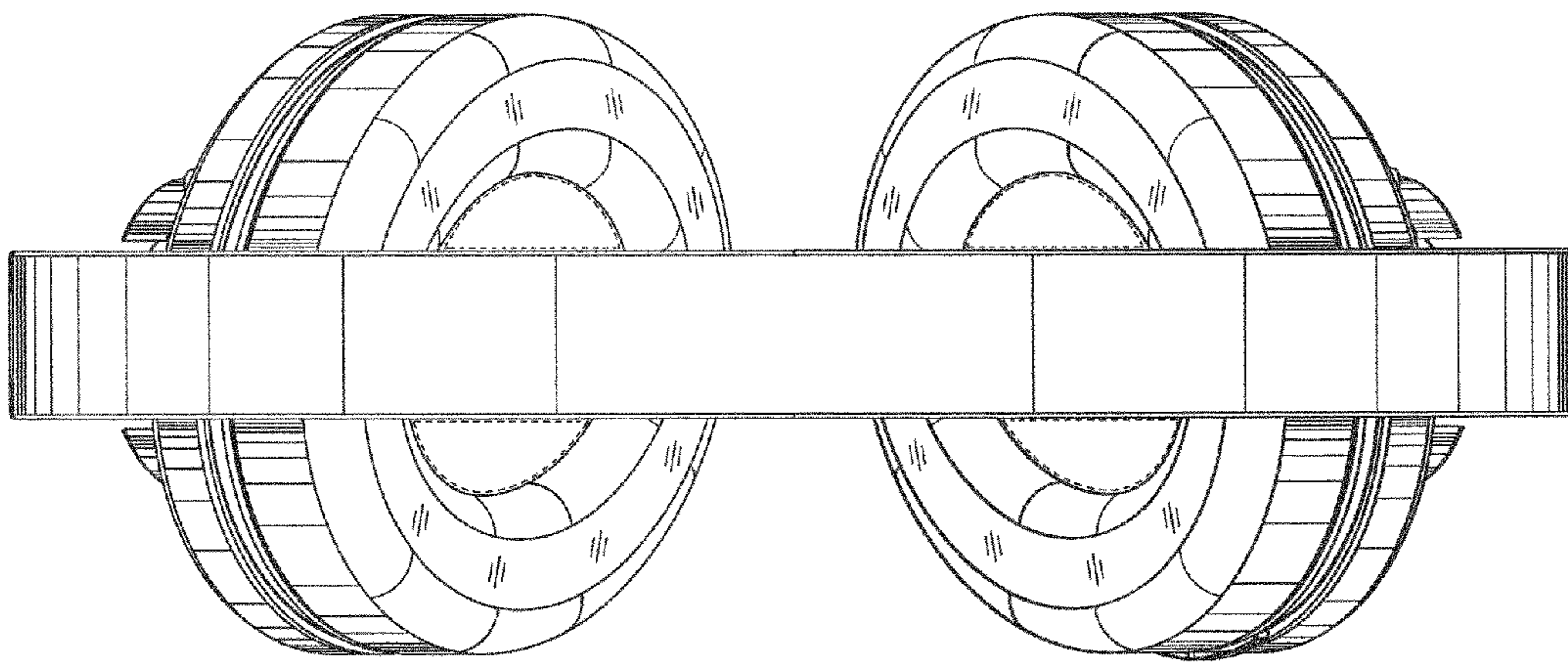


Figure 6

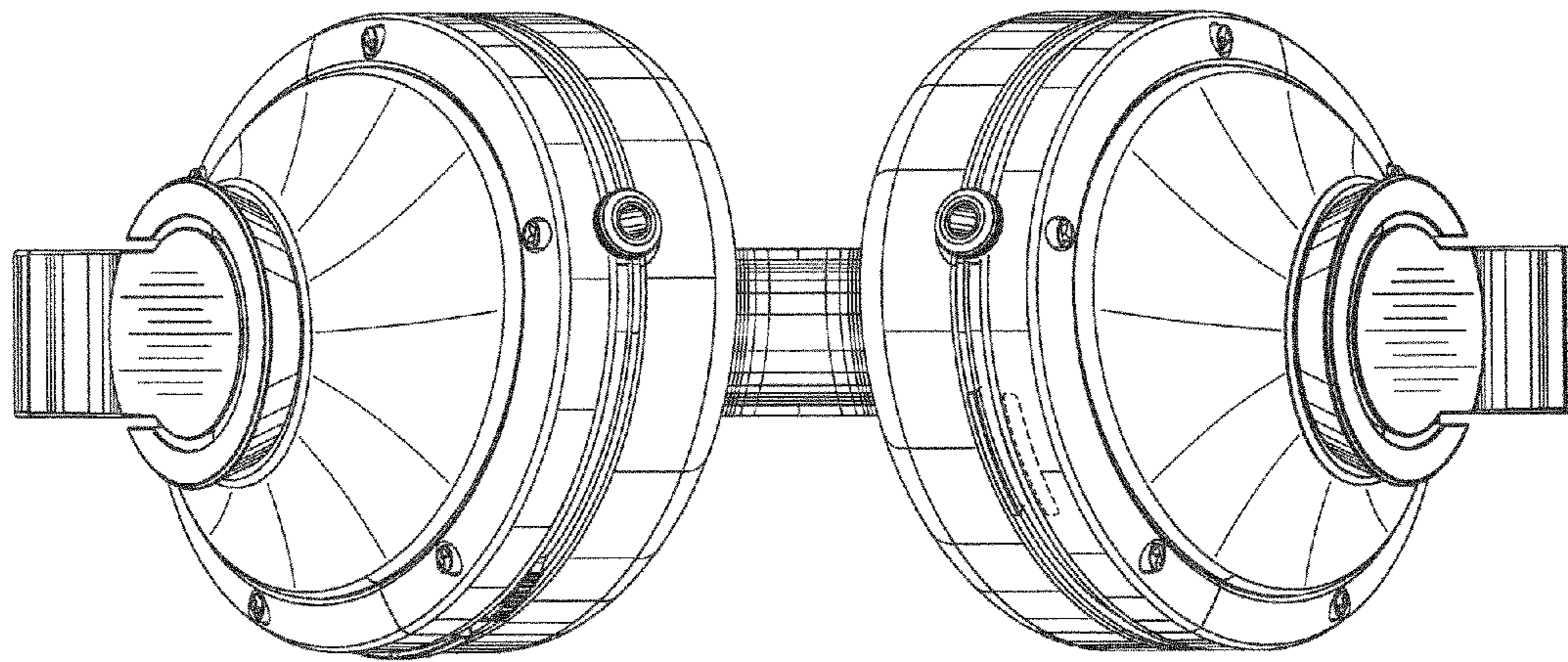


Figure 7

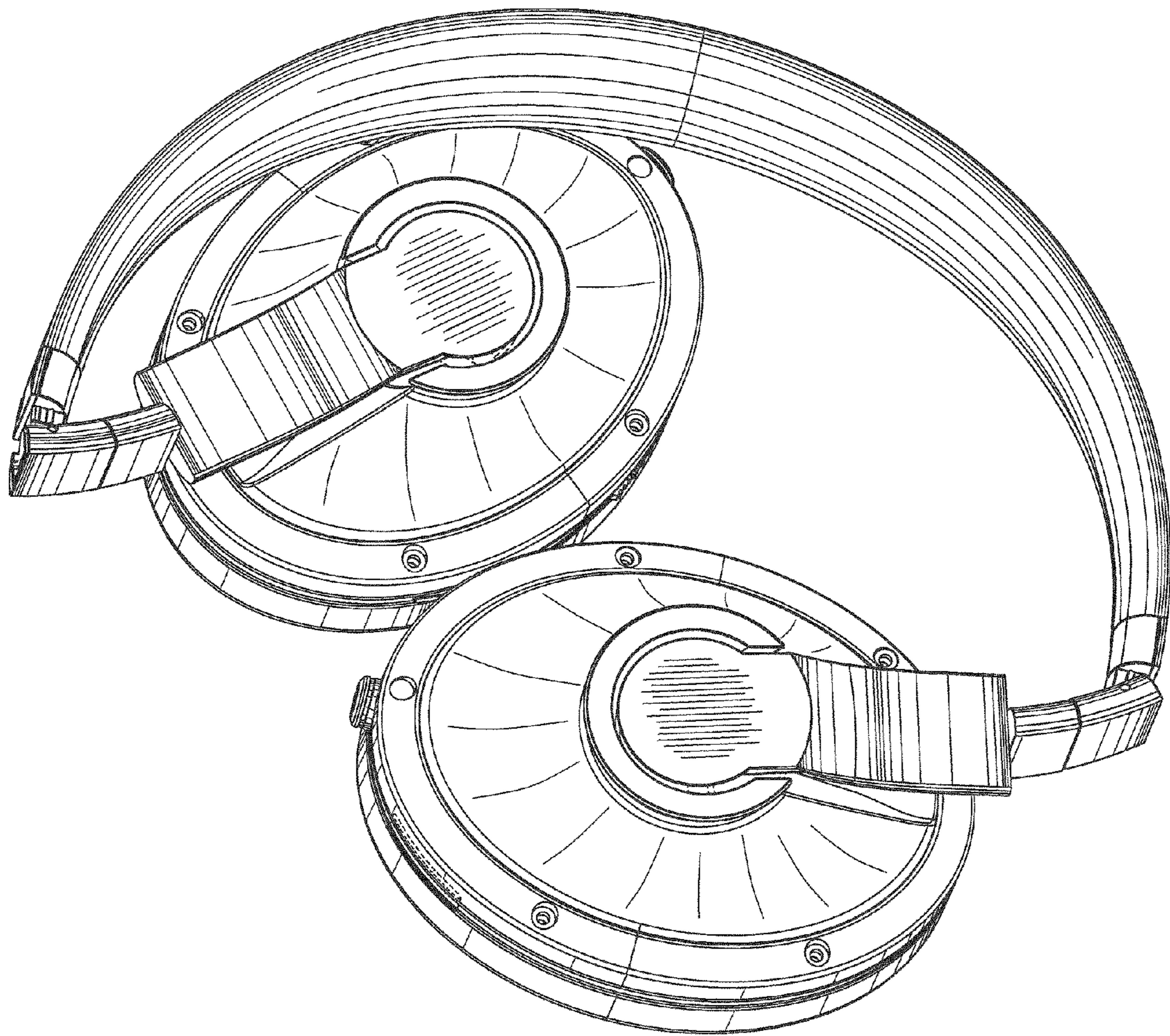


Figure 8



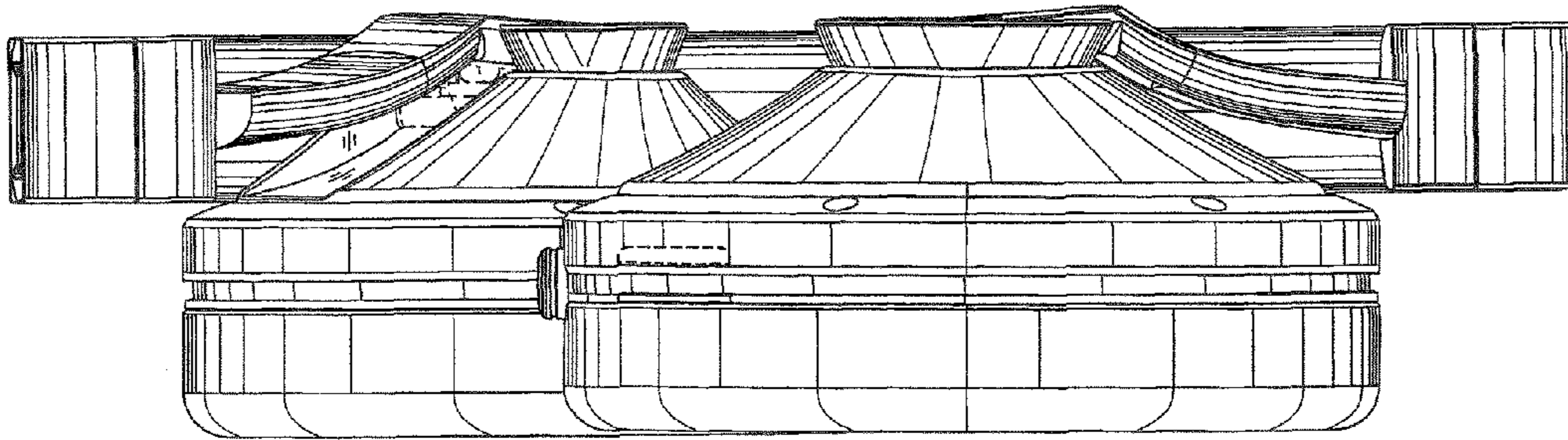


Figure 9

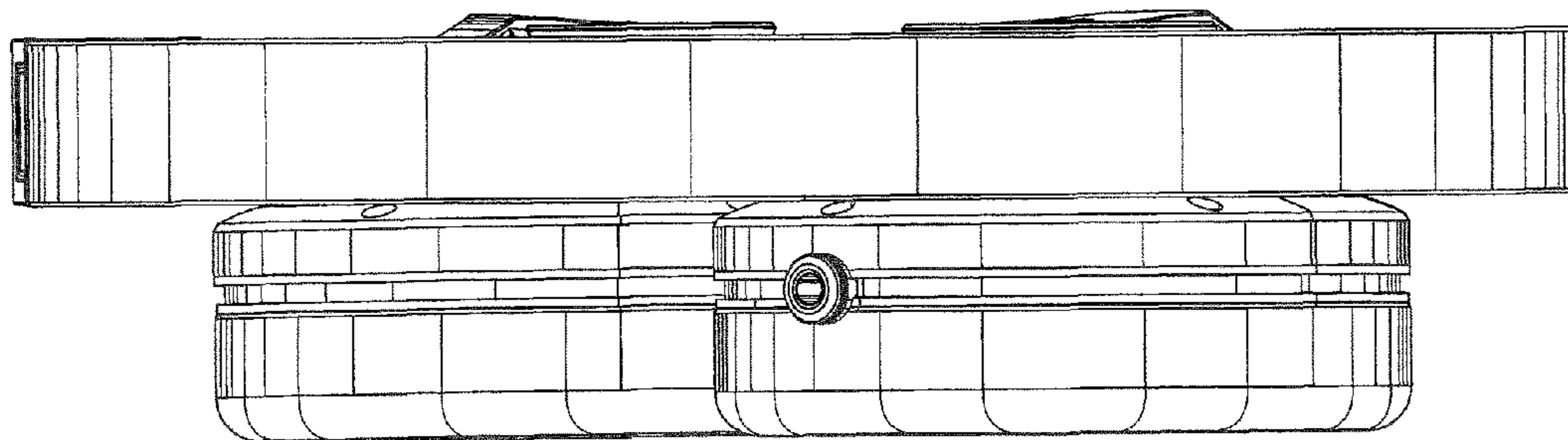


Figure 10

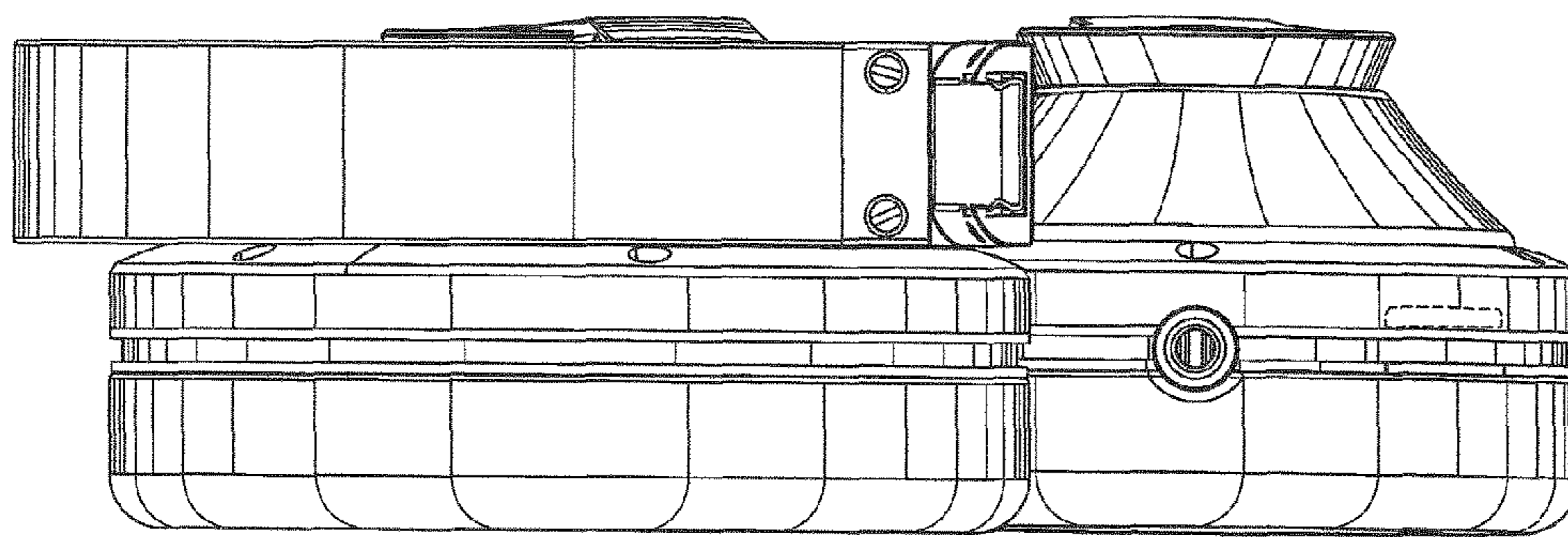


Figure 11

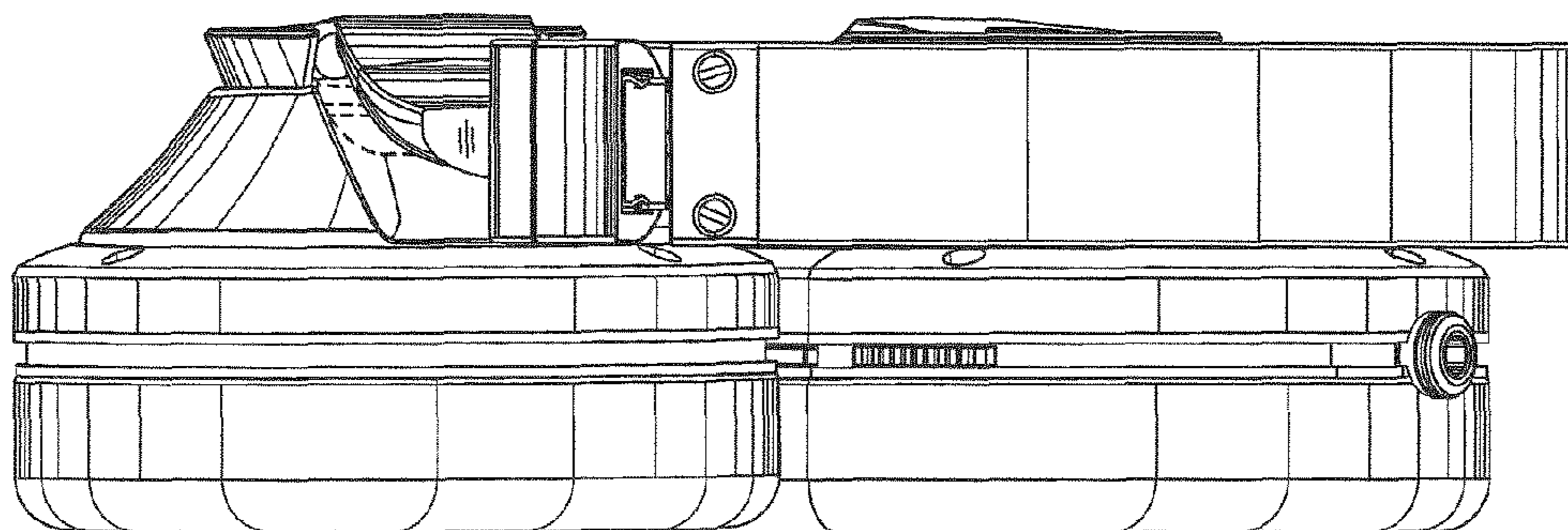


Figure 12

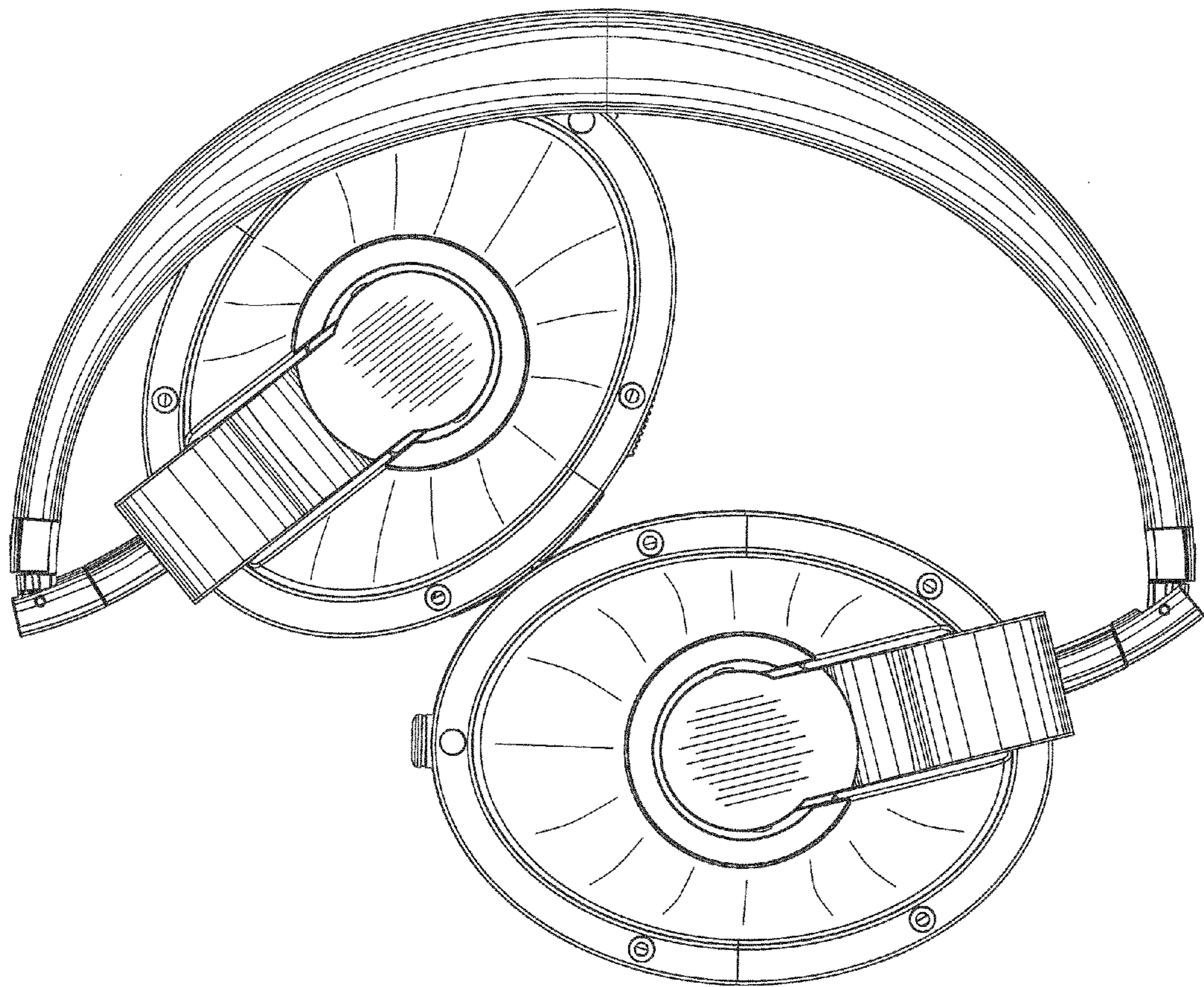


Figure 13

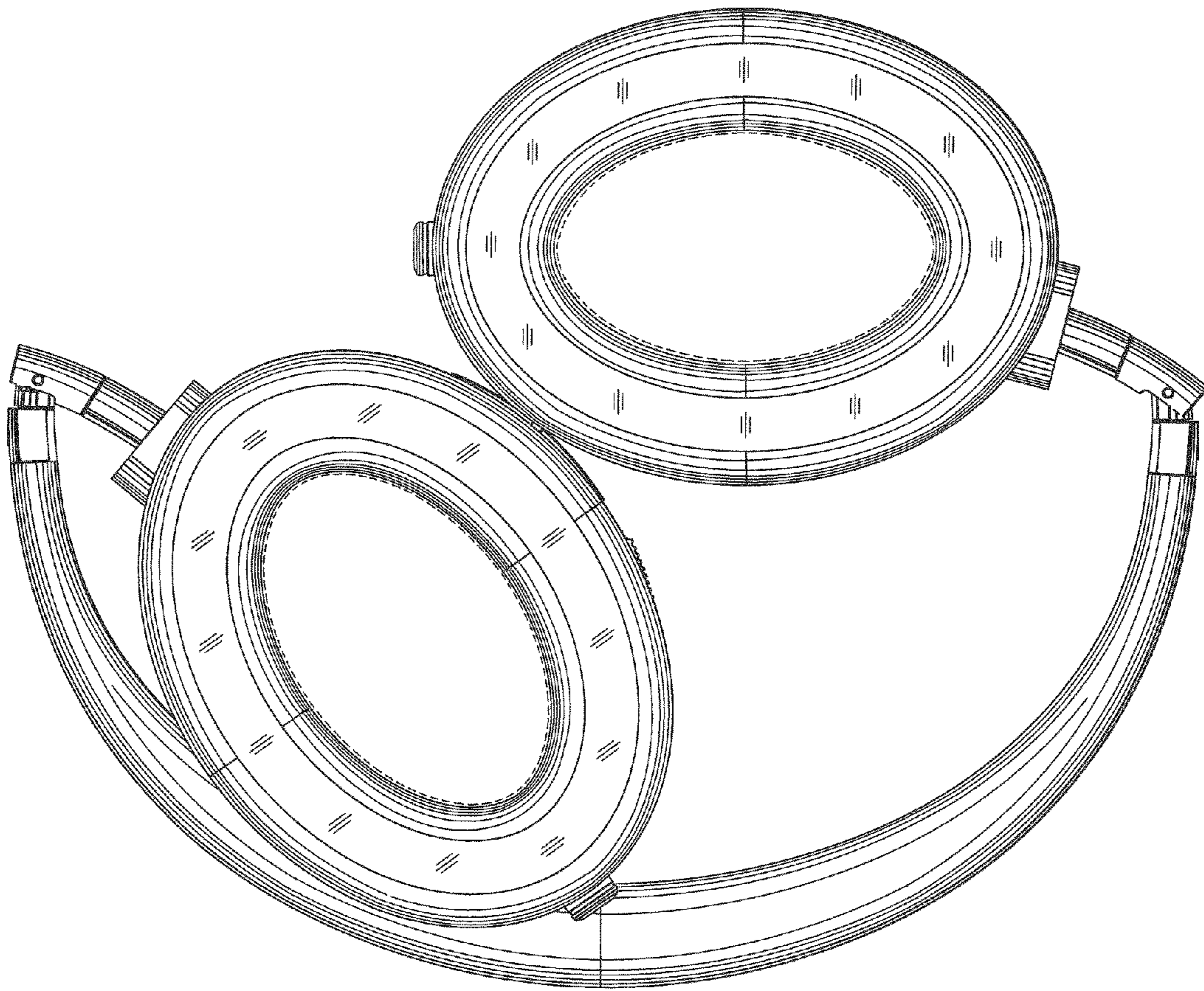


Figure 14