



US00D690281S

(12) **United States Design Patent**  
**Carr et al.**

(10) **Patent No.:** **US D690,281 S**

(45) **Date of Patent:** **\*\* Sep. 24, 2013**

(54) **SPEAKER**

(75) Inventors: **David Carr**, Hood River, OR (US);  
**Steve McGarry**, Vancouver, WA (US);  
**Neil O’Connell**, Portland, OR (US);  
**Chris LaBrutto**, Fremont, CA (US);  
**Andreas Connellan**, Dublin (IE);  
**Cathal Loughnane**, Wexford (IE);  
**Diarmuid MacMahon**, Dublin (IE)

(73) Assignee: **Logitech Europe S.A.**, Lausanne (CH)

(\*\*) Term: **14 Years**

(21) Appl. No.: **29/429,739**

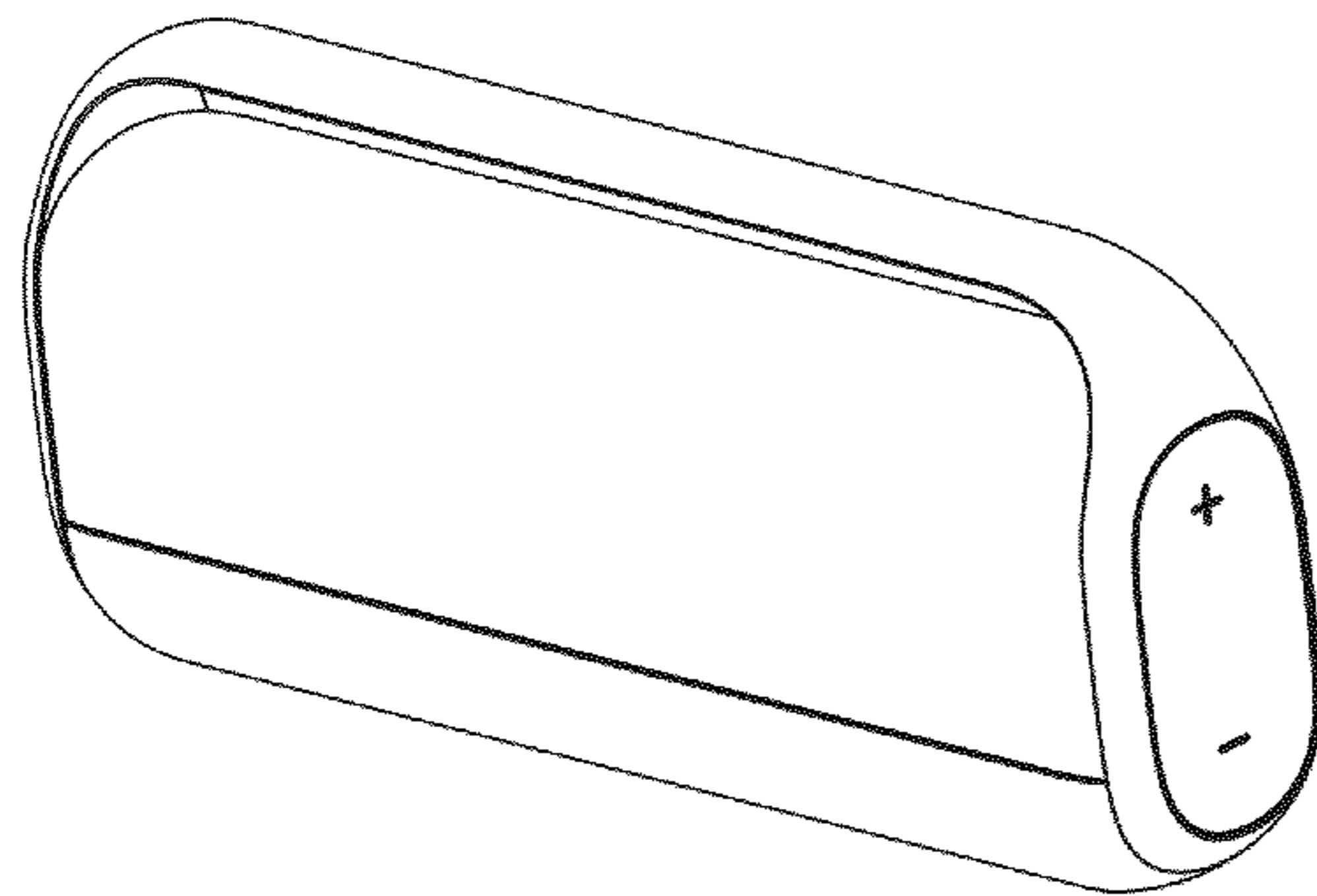
(22) Filed: **Aug. 15, 2012**

(51) **LOC (9) Cl.** ..... **14-03**

(52) **U.S. Cl.**  
USPC ..... **D14/204**

(58) **Field of Classification Search**  
USPC ..... D14/167, 168, 170–172, 188, 194–196,  
D14/204, 207, 209.1, 210–216, 221, 222;  
181/143, 144, 147, 148, 150, 153, 157, 198,  
181/199; 381/300–303, 306, 332, 333, 336,  
381/345, 361–364, 386–388; D13/107, 108;  
455/344–351; 369/6–12

See application file for complete search history.



(56) **References Cited**

U.S. PATENT DOCUMENTS

D389,483	S	*	1/1998	Christie et al.	.....	D14/214
D643,807	S	*	8/2011	Jiang	.....	D13/103
D674,777	S	*	1/2013	Tsai	.....	D14/209.1
D676,830	S	*	2/2013	Garrett	.....	D14/210

\* cited by examiner

*Primary Examiner* — Keli L Hill

(74) *Attorney, Agent, or Firm* — Kilpatrick Townsend & Stockton LLP

(57) **CLAIM**

The ornamental design for the speaker, as shown and described.

**DESCRIPTION**

FIG. 1 is a perspective view of a speaker showing my new design;

FIG. 2 is a bottom elevation view thereof;

FIG. 3 is a top elevation view thereof;

FIG. 4 is a back elevation view thereof;

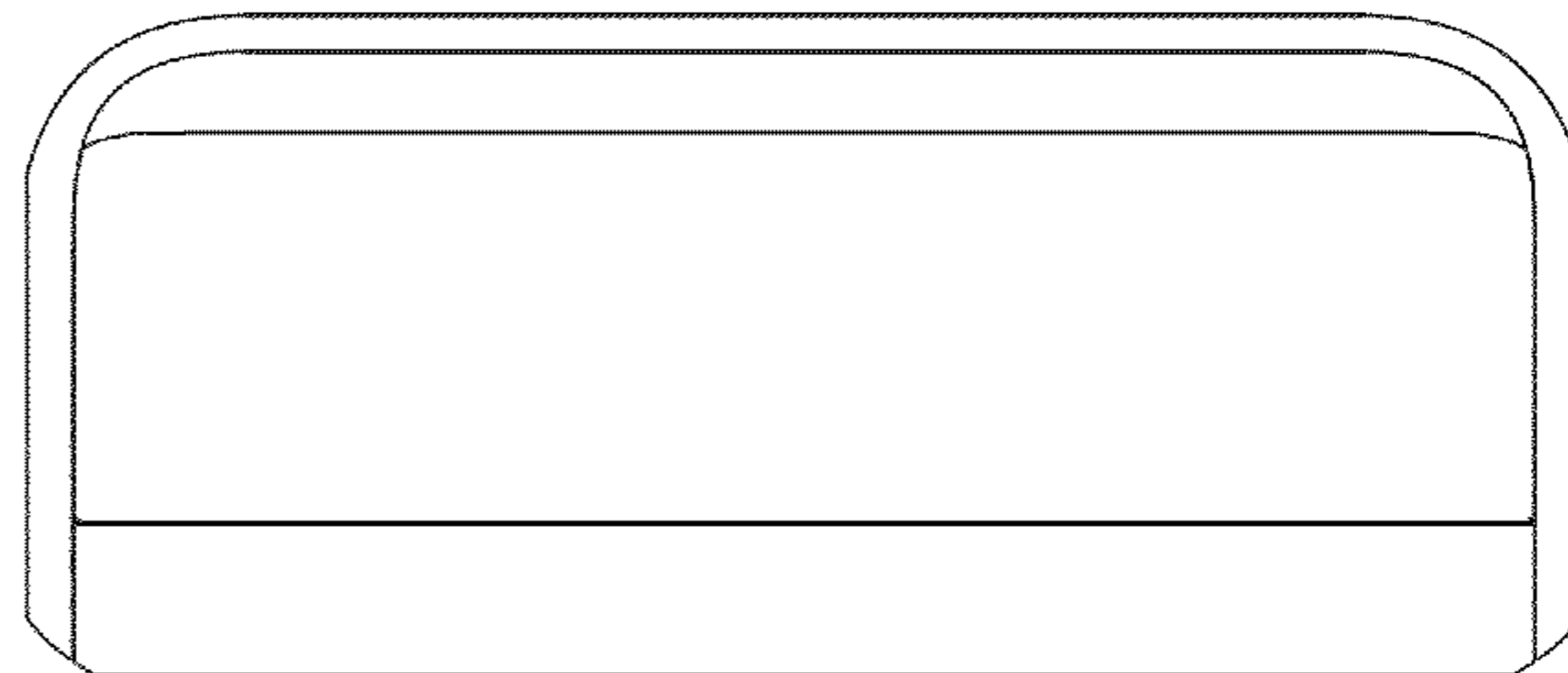
FIG. 5 is a front elevation view thereof;

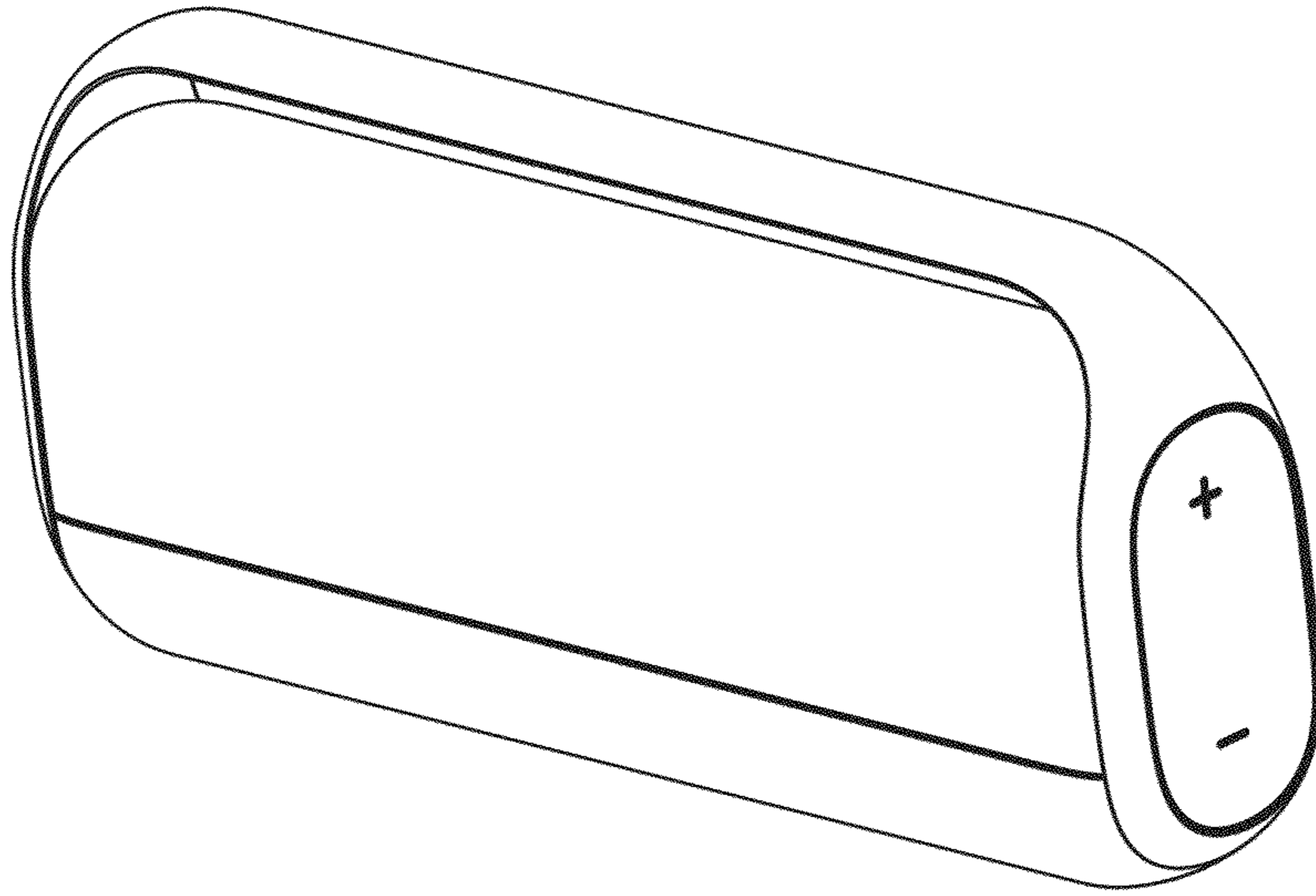
FIG. 6 is a right side elevation view; and,

FIG. 7 is a left side elevation view.

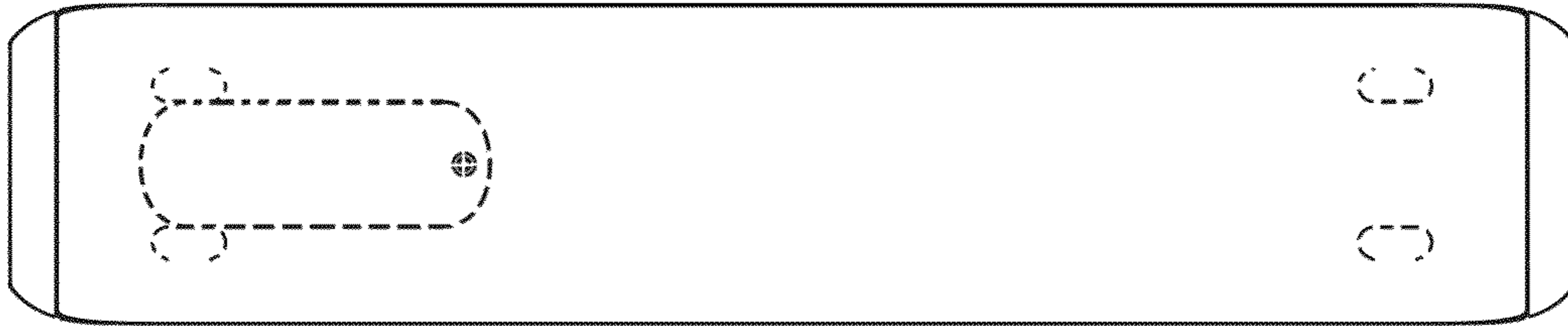
The broken lines shown are included for the purpose of illustrating portions of the speaker that form no part of the claim.

**1 Claim, 7 Drawing Sheets**

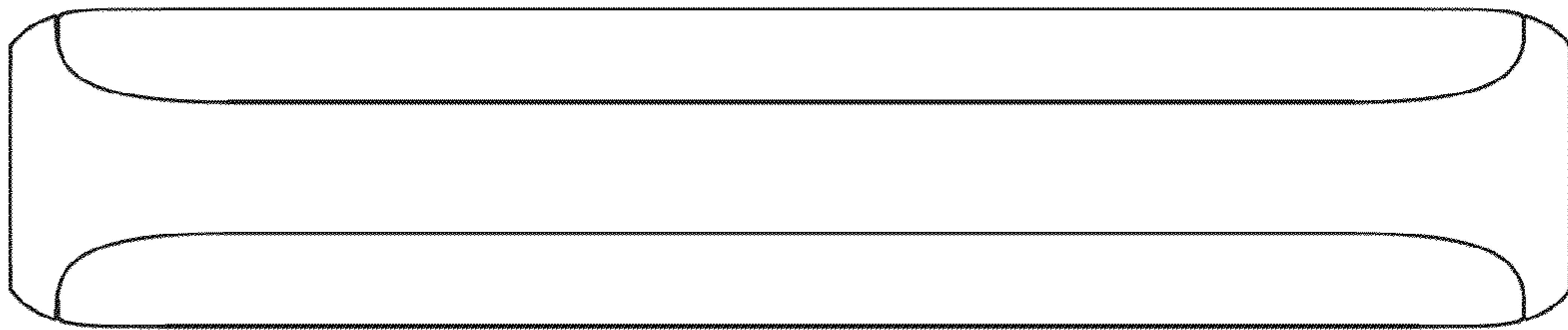




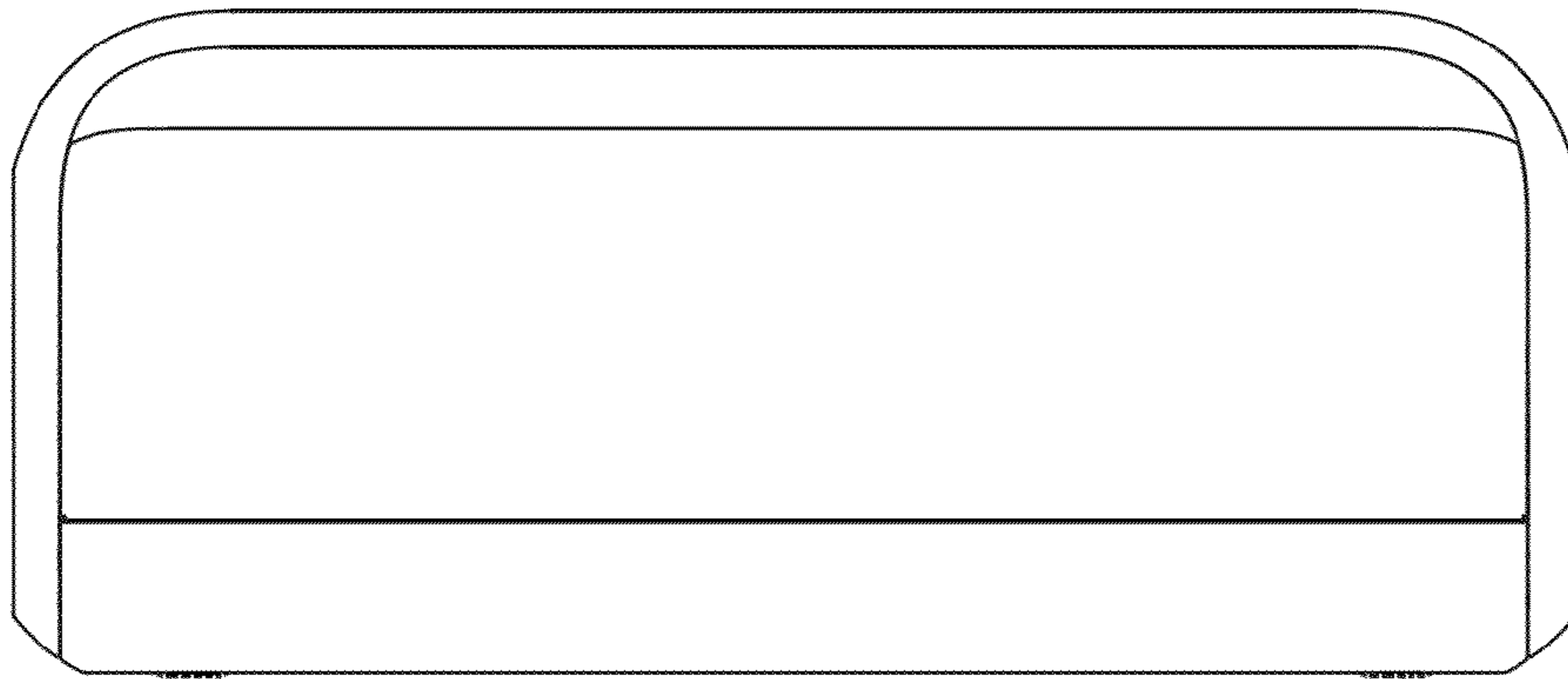
**FIG. 1**



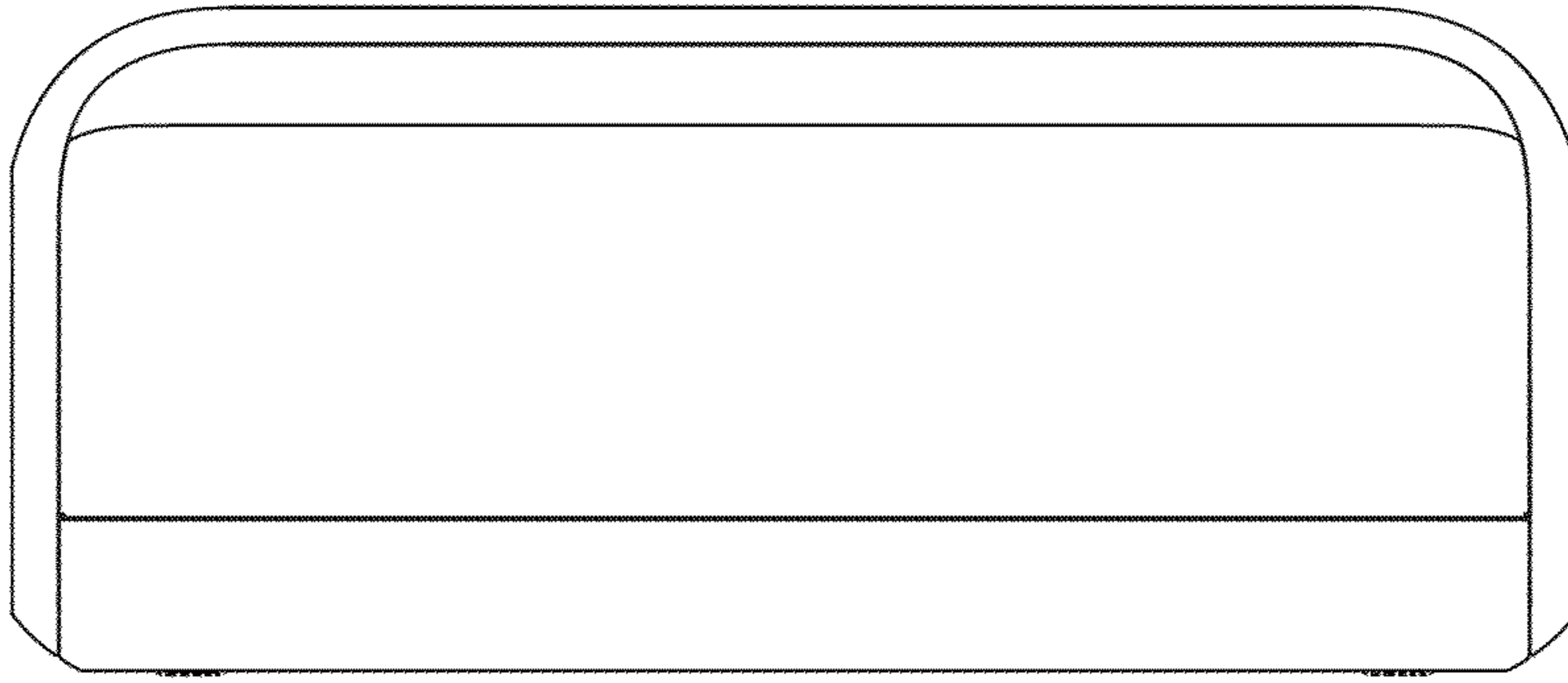
**FIG. 2**



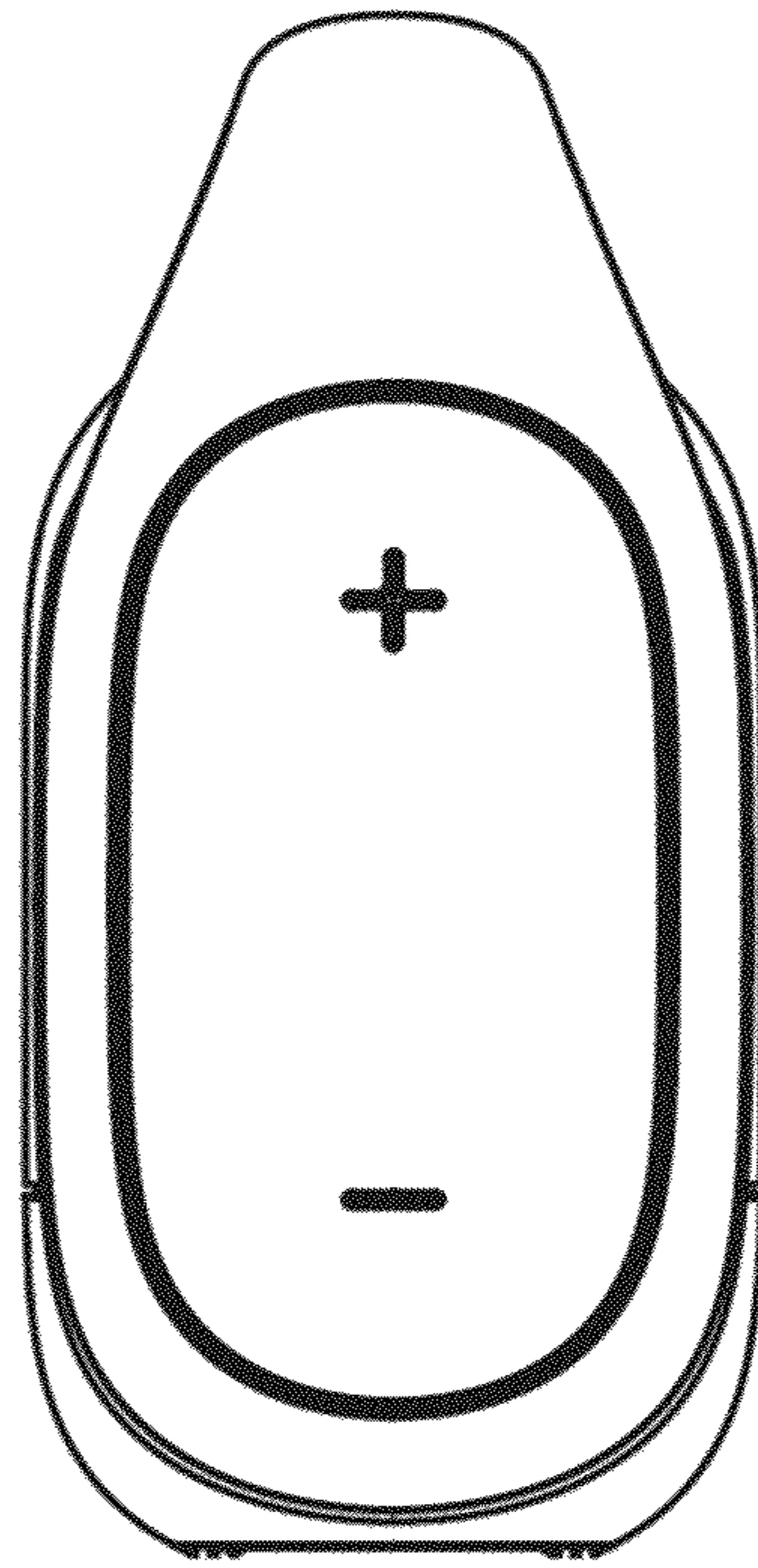
**FIG. 3**



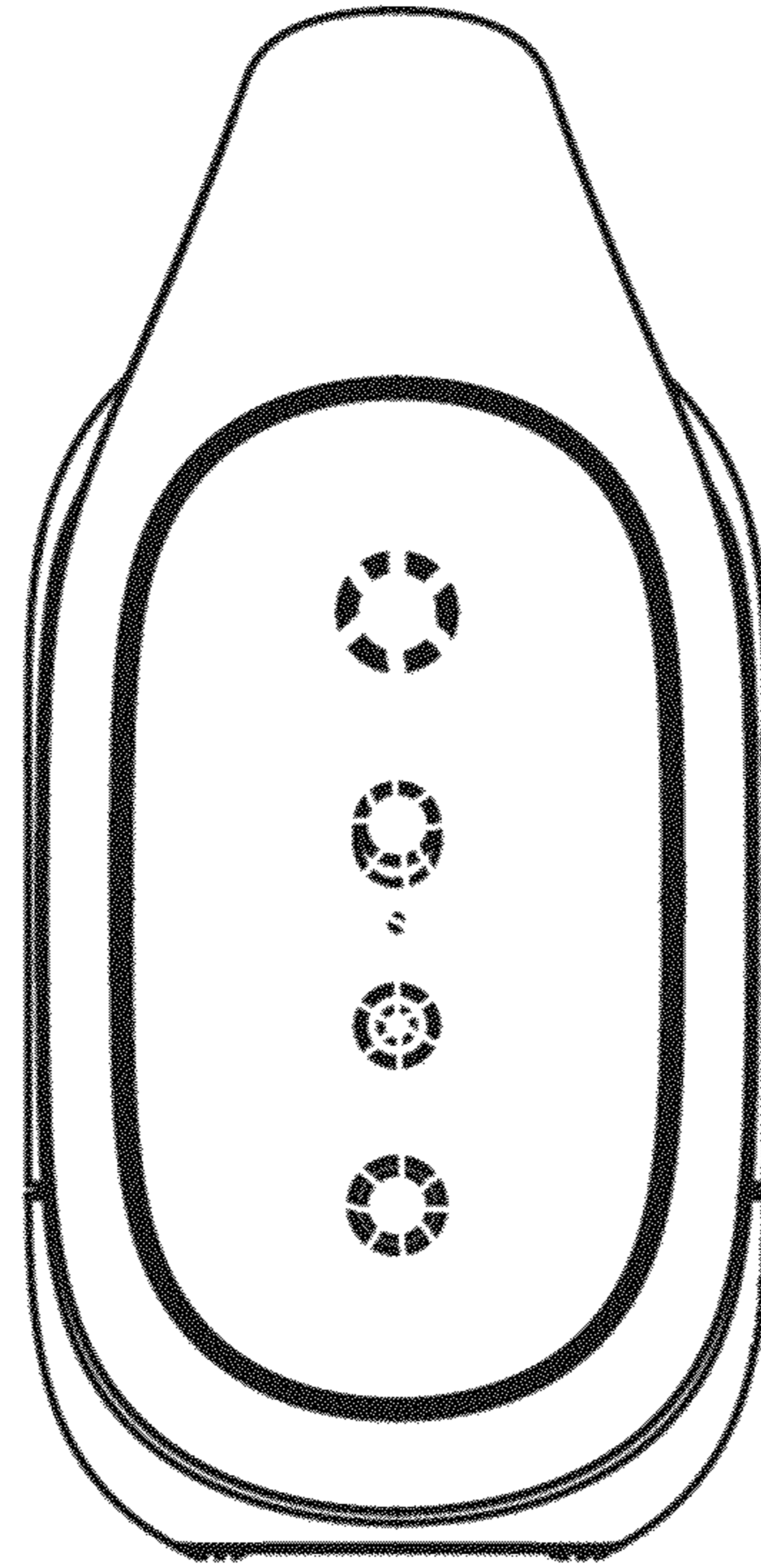
**FIG. 4**



**FIG. 5**



**FIG. 6**



**FIG. 7**